

Fig.5-5

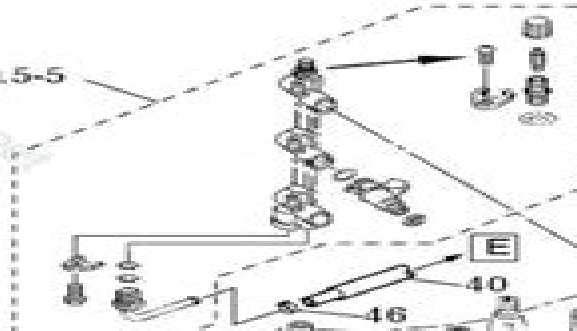


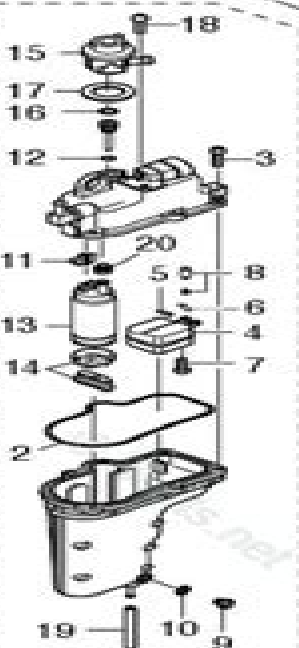
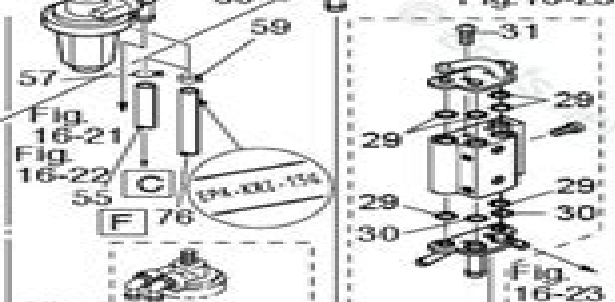
Fig.10-21



© Boats.net

EXPOSURE
Fig.1-1

Fig.16-23



Tohatsu Outboard Parts Manual

Mark Steyvers



Tohatsu Outboard Parts Manual:

Delve into the emotional tapestry woven by in Experience **Tohatsu Outboard Parts Manual** . This ebook, available for download in a PDF format (PDF Size: *), is more than just words on a page; it's a journey of connection and profound emotion. Immerse yourself in narratives that tug at your heartstrings. Download now to experience the pulse of each page and let your emotions run wild.

<https://movement.livewellcolorado.org/public/browse/index.jsp/yamaha%20fzs600%20fazer%20manual.pdf>

Table of Contents Tohatsu Outboard Parts Manual

1. Understanding the eBook Tohatsu Outboard Parts Manual
 - The Rise of Digital Reading Tohatsu Outboard Parts Manual
 - Advantages of eBooks Over Traditional Books
2. Identifying Tohatsu Outboard Parts Manual
 - Exploring Different Genres
 - Considering Fiction vs. Non-Fiction
 - Determining Your Reading Goals
3. Choosing the Right eBook Platform
 - Popular eBook Platforms
 - Features to Look for in an Tohatsu Outboard Parts Manual
 - User-Friendly Interface
4. Exploring eBook Recommendations from Tohatsu Outboard Parts Manual
 - Personalized Recommendations
 - Tohatsu Outboard Parts Manual User Reviews and Ratings
 - Tohatsu Outboard Parts Manual and Bestseller Lists
5. Accessing Tohatsu Outboard Parts Manual Free and Paid eBooks
 - Tohatsu Outboard Parts Manual Public Domain eBooks
 - Tohatsu Outboard Parts Manual eBook Subscription Services
 - Tohatsu Outboard Parts Manual Budget-Friendly Options

-
6. Navigating Tohatsu Outboard Parts Manual eBook Formats
 - ePub, PDF, MOBI, and More
 - Tohatsu Outboard Parts Manual Compatibility with Devices
 - Tohatsu Outboard Parts Manual Enhanced eBook Features
 7. Enhancing Your Reading Experience
 - Adjustable Fonts and Text Sizes of Tohatsu Outboard Parts Manual
 - Highlighting and Note-Taking Tohatsu Outboard Parts Manual
 - Interactive Elements Tohatsu Outboard Parts Manual
 8. Staying Engaged with Tohatsu Outboard Parts Manual
 - Joining Online Reading Communities
 - Participating in Virtual Book Clubs
 - Following Authors and Publishers Tohatsu Outboard Parts Manual
 9. Balancing eBooks and Physical Books Tohatsu Outboard Parts Manual
 - Benefits of a Digital Library
 - Creating a Diverse Reading Collection Tohatsu Outboard Parts Manual
 10. Overcoming Reading Challenges
 - Dealing with Digital Eye Strain
 - Minimizing Distractions
 - Managing Screen Time
 11. Cultivating a Reading Routine Tohatsu Outboard Parts Manual
 - Setting Reading Goals Tohatsu Outboard Parts Manual
 - Carving Out Dedicated Reading Time
 12. Sourcing Reliable Information of Tohatsu Outboard Parts Manual
 - Fact-Checking eBook Content of Tohatsu Outboard Parts Manual
 - Distinguishing Credible Sources
 13. Promoting Lifelong Learning
 - Utilizing eBooks for Skill Development
 - Exploring Educational eBooks
 14. Embracing eBook Trends
 - Integration of Multimedia Elements

-
- Interactive and Gamified eBooks

Tohatsu Outboard Parts Manual Introduction

In this digital age, the convenience of accessing information at our fingertips has become a necessity. Whether its research papers, eBooks, or user manuals, PDF files have become the preferred format for sharing and reading documents. However, the cost associated with purchasing PDF files can sometimes be a barrier for many individuals and organizations. Thankfully, there are numerous websites and platforms that allow users to download free PDF files legally. In this article, we will explore some of the best platforms to download free PDFs. One of the most popular platforms to download free PDF files is Project Gutenberg. This online library offers over 60,000 free eBooks that are in the public domain. From classic literature to historical documents, Project Gutenberg provides a wide range of PDF files that can be downloaded and enjoyed on various devices. The website is user-friendly and allows users to search for specific titles or browse through different categories. Another reliable platform for downloading Tohatsu Outboard Parts Manual free PDF files is Open Library. With its vast collection of over 1 million eBooks, Open Library has something for every reader. The website offers a seamless experience by providing options to borrow or download PDF files. Users simply need to create a free account to access this treasure trove of knowledge. Open Library also allows users to contribute by uploading and sharing their own PDF files, making it a collaborative platform for book enthusiasts. For those interested in academic resources, there are websites dedicated to providing free PDFs of research papers and scientific articles. One such website is Academia.edu, which allows researchers and scholars to share their work with a global audience. Users can download PDF files of research papers, theses, and dissertations covering a wide range of subjects. Academia.edu also provides a platform for discussions and networking within the academic community. When it comes to downloading Tohatsu Outboard Parts Manual free PDF files of magazines, brochures, and catalogs, Issuu is a popular choice. This digital publishing platform hosts a vast collection of publications from around the world. Users can search for specific titles or explore various categories and genres. Issuu offers a seamless reading experience with its user-friendly interface and allows users to download PDF files for offline reading. Apart from dedicated platforms, search engines also play a crucial role in finding free PDF files. Google, for instance, has an advanced search feature that allows users to filter results by file type. By specifying the file type as "PDF," users can find websites that offer free PDF downloads on a specific topic. While downloading Tohatsu Outboard Parts Manual free PDF files is convenient, its important to note that copyright laws must be respected. Always ensure that the PDF files you download are legally available for free. Many authors and publishers voluntarily provide free PDF versions of their work, but its essential to be cautious and verify the authenticity of the source before downloading Tohatsu Outboard Parts Manual. In conclusion, the internet offers numerous platforms and websites that allow users to download free PDF files legally. Whether its classic

literature, research papers, or magazines, there is something for everyone. The platforms mentioned in this article, such as Project Gutenberg, Open Library, Academia.edu, and Issuu, provide access to a vast collection of PDF files. However, users should always be cautious and verify the legality of the source before downloading Tohatsu Outboard Parts Manual any PDF files. With these platforms, the world of PDF downloads is just a click away.

FAQs About Tohatsu Outboard Parts Manual Books

What is a Tohatsu Outboard Parts Manual PDF? A PDF (Portable Document Format) is a file format developed by Adobe that preserves the layout and formatting of a document, regardless of the software, hardware, or operating system used to view or print it. **How do I create a Tohatsu Outboard Parts Manual PDF?** There are several ways to create a PDF: Use software like Adobe Acrobat, Microsoft Word, or Google Docs, which often have built-in PDF creation tools. Print to PDF: Many applications and operating systems have a "Print to PDF" option that allows you to save a document as a PDF file instead of printing it on paper. Online converters: There are various online tools that can convert different file types to PDF. **How do I edit a Tohatsu Outboard Parts Manual PDF?** Editing a PDF can be done with software like Adobe Acrobat, which allows direct editing of text, images, and other elements within the PDF. Some free tools, like PDFescape or Smallpdf, also offer basic editing capabilities. **How do I convert a Tohatsu Outboard Parts Manual PDF to another file format?** There are multiple ways to convert a PDF to another format: Use online converters like Smallpdf, Zamzar, or Adobe Acrobats export feature to convert PDFs to formats like Word, Excel, JPEG, etc. Software like Adobe Acrobat, Microsoft Word, or other PDF editors may have options to export or save PDFs in different formats. **How do I password-protect a Tohatsu Outboard Parts Manual PDF?** Most PDF editing software allows you to add password protection. In Adobe Acrobat, for instance, you can go to "File" -> "Properties" -> "Security" to set a password to restrict access or editing capabilities. Are there any free alternatives to Adobe Acrobat for working with PDFs? Yes, there are many free alternatives for working with PDFs, such as: LibreOffice: Offers PDF editing features. PDFsam: Allows splitting, merging, and editing PDFs. Foxit Reader: Provides basic PDF viewing and editing capabilities. How do I compress a PDF file? You can use online tools like Smallpdf, ILovePDF, or desktop software like Adobe Acrobat to compress PDF files without significant quality loss. Compression reduces the file size, making it easier to share and download. Can I fill out forms in a PDF file? Yes, most PDF viewers/editors like Adobe Acrobat, Preview (on Mac), or various online tools allow you to fill out forms in PDF files by selecting text fields and entering information. Are there any restrictions when working with PDFs? Some PDFs might have restrictions set by their creator, such as password protection, editing restrictions, or print restrictions. Breaking these restrictions might require specific software or tools, which may or may not be legal depending on the circumstances and local laws.

Find Tohatsu Outboard Parts Manual :

[yamaha fzs600 fazer manual](#)

yamaha fz1 fazer fzs1000 fzs10 2001 2012 service repair workshop manual instant

[yamaha fjr1300 manual](#)

yamaha drive charger manual

[yamaha it 490 manual](#)

[yamaha dt175 1979 workshop manual](#)

[yamaha f150txr service manual 2015](#)

[yamaha jet boat repair service manual 135 exciter 1999](#)

yamaha genesis 750 manual

[yamaha emx150 emx200 emx300 service manual](#)

yamaha fz manual

yamaha emx2000 mixer owners manual

[yamaha dt250 dt360 replacement parts manual](#)

[yamaha dt 50 sm service manual](#)

[yamaha et950 manual](#)

Tohatsu Outboard Parts Manual :

A Survey of Mathematics with Applications (9th ... Angel, Abbott, and Runde present the material in a way that is clear and accessible to non-math majors. The text includes a wide variety of math topics, with ... Survey of Mathematics with Applications ... Survey of Mathematics with Applications ; ISBN-13. 978-1269931120 ; Edition. 9th ; Publisher. Pearson Learning Solutions ; Publication date. January 1, 2013. A Survey of Mathematics with Applications 9/e eBook A Survey of Mathematics with Applications 9/e eBook. A Survey of Mathematics with Applications - 9th Edition Find step-by-step solutions and answers to A Survey of Mathematics with Applications - 9780321759665, as well as thousands of textbooks so you can move ... A Survey of Mathematics with Applications (9th Edition) - ... A Survey of Mathematics with Applications (9th Edition) by Angel, Allen R.; Abbott, Christine D.; Runde, Dennis - ISBN 10: 0321759664 - ISBN 13: ... Survey of Mathematics with Applications, A - Allen R. Angel Survey of Mathematics with Applications, A ; Auflage: 9 ; Sprache: Englisch ; Erschienen: November 2013 ; ISBN13: 9781292040196 ; ISBN: 129204019X ... Christine D Abbott | Get Textbooks A Survey of Mathematics with Applications(9th Edition) by Allen R. Angel ... A Survey of Mathematics with Applications with

Integrated Review(10th Edition) A Survey of Mathematics with Applications | 9th Edition Verified Textbook Solutions. Need answers to A Survey of Mathematics with Applications 9th Edition published by Pearson? Get help now with immediate access ... A Survey of Mathematics with Applications (9th Edition) ... A Survey of Mathematics with Applications (9th Edition). by Angel, Allen R., Abbott, Christine D., Runde, Dennis. Used; Acceptable. A Survey of Mathematics with Applications by Allen R. ... A Survey of Mathematics with Applications (9th Edition). by Allen R. Angel, Christine D. Abbott, Dennis C. Runde. Hardcover, 1072 Pages, Published 2012. ISBN ... Installation manual Information about harness-to-harness connectors C4125 and C4126: Throttle control for Stage V engines has been added to section Engine interface. • The ... SCANIA ECU ECOM User Manual Eng Edition 3 PDF A table is provided below with the parameters which can be programmed within the function '2.5.1 Program E2 Parameters' on page 23. ... function is only available ... Electrical system Connection to engine without Scania base system ... This installation manual does not describe Scania's electrical systems ... An ECU mounted directly on a diesel engine of a Scania ... Download scientific diagram | An ECU mounted directly on a diesel engine of a Scania truck. The arrows indicate the ECU connectors, which are interfaces to ... SCANIA Coordinator Pinout | PDF | Electronics SCANIA. CONNECTION DIAGRAM. >20 modules tested. 100% work 24 V POWER. PROGRAMMER CONNECTION POINTS. JTAG EXTENTION BOARD NEXT. ERASE and WRITE ... scania service manual Sep 11, 2015 — The circuit diagram shows the electrical system divided into ... Technical options for mining trucks - Scania. Scania press release. Scania Electrical system P, R, T series Schematic diagram of the power supply 18 Scania CV AB 2005, Sweden 16:07-01 ... Wiring Included in the ECU system Included in the DEC system Diagram ACL ... Electrical Interfaces The cable harness runs from connector C494 in the bodywork console to 1, 2 or 3 DIN connectors on the frame (close to the front left mudwing). The number of DIN ... TCM Parts Manual Engine Nissan H 15 H 20 H 25 PE ... May 27, 2021 — TCM - Parts Manual - Engine Nissan H15 H20 H25 - PE-H15RMT000B - 168 pages. TCM Nissan H15 H20 H25 Forklift Gasoline Engine Shop ... TCM Nissan H15 H20 H25 Forklift Gasoline Engine Shop Service Repair Manual ; Compatible Equipment Make. Nissan, TCM ; Accurate description. 4.8 ; Reasonable ... Nissan ForkLift Engines Service Manual H15 / H20-II / H25 ... This service manual has been prepared to provide necessary information concerning the maintenance and repair procedures for the NISSAN FORKLIFT D01/D02 series. H25 Nissan Engine Manual Pdf Page 1. H25 Nissan Engine Manual Pdf. INTRODUCTION H25 Nissan Engine Manual Pdf Copy. Nissan ForkLift Engines Service Manual H15 / H20-II / H25 ... This service manual has been prepared to provide necessary information concerning the maintenance and repair procedures for the NISSAN FORKLIFT D01/D02 series. Nissan H25 2472 CC TAM QUICK ENGINE SPECIFICATION specs_nis_h25.xlsx. Nissan H25. 2472 C.C.. BORE. STROKE. FIRING. MAIN. ROD. ORDER. JOURNAL. JOURNAL. 3.622. 3.661. 1-3-4-2. Nissan Forklift J01, J02 Series with H15, H20-II, H25, ... Nissan Forklift J01, J02 Series with H15, H20-II, H25, TD27, BD30 Engines Workshop Service Manual · 1. H15/H20-II/H2S ENGINE Service Manual, PDF, 154 pages · 2. 4Z TOYO TCM Shop Manual for

Nissan H15 H20 H25 ... 4Z- TOYO TCM shop manual for nissan H15, H20, H25 gasoline engines ... Engines, Owners Repair Manual Book. Listed on Nov 7, 2023. Report this item to Etsy · All ... Still OM Pimespo Nissan Motor H25 Engine Repair ... Still OM Pimespo Nissan Motor H25 Engine Repair Manual_4141-4257. Size: 11.3 MB Format: PDF Language: English Brand: Still-OM Pimespo-Nissan Nissan Forklift J01, J02 Series with H15, H20-II, H25, TD27 ... High Quality Manuals. Nissan Forklift J01, J02 Series with H15, H20-II, H25, TD27, BD30 Engines Workshop Service Repair Manual. Sale. \$ 19.92; Regular price ...