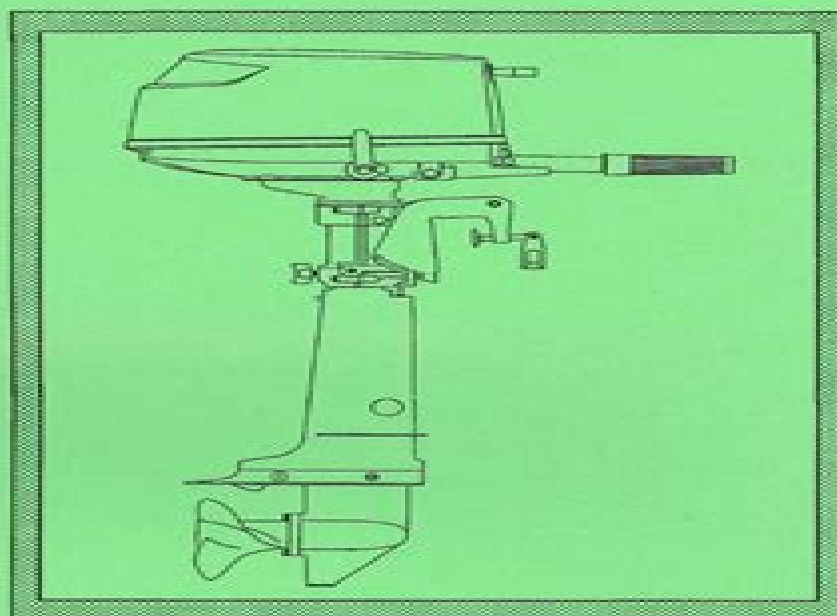


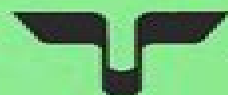
TOHATSU
OUTBOARD



**SERVICE
MANUAL**

4-Stroke Cycle

5



TOHATSU CORPORATION

Tohatsu 4 Hp Manual

J Spring



Tohatsu 4 Hp Manual:

Outboard Motor Service Manual Intertec Publishing,1987 Detailed tips on periodic servicing troubleshooting general maintenance and repair are explicitly outlined in this manual Repair is easy with the specifications and step by step repair procedures included for hundreds of models Volume II covers models with 30hp and above [Skipper's Outboard Motor Guide](#) Hans Donat,2011-03-15 In the same handy splash proof format as the highly successful Skipper s Cockpit Guide and Skipper s Onboard Emergency Guide this Skipper s Outboard Motor Guide is a convenient lie flat water and oil proof reference to all types of outboard engine There is advice on how the engine works how each part interacts dos and don ts fault finding and troubleshooting tests all illustrated with detailed exploded diagrams to show how to fix problems There is advice on Oil systems Cooling Gears Plugs and points Circuits Electrics All in all the Skipper s Outboard Motor Guide will be a godsend to anyone with an outboard motor on their boat or tender *Boating* ,2004-11 [World Fishing](#) ,1978

[Boating](#) ,1991-01 **Field & Stream** ,1984-02 FIELD STREAM America s largest outdoor sports magazine celebrates the outdoor experience with great stories compelling photography and sound advice while honoring the traditions hunters and fishermen have passed down for generations *The Publishers' Trade List Annual* ,1985 **Field & Stream** ,1998-05 FIELD STREAM America s largest outdoor sports magazine celebrates the outdoor experience with great stories compelling photography and sound advice while honoring the traditions hunters and fishermen have passed down for generations

[Power Farming in Australia and New Zealand Technical Manual](#) ,1979 **Outboard Engines** Edwin R. Sherman,1997 *Outboard Engines* fills the gap between owner s manuals that don t even tell you how to change a spark plug and professional shop manuals that detail how to do a complete rebuild It covers basic principles and techniques for a wide variety of outboards four stroke as well as two stroke with the emphasis on maintenance and advanced troubleshooting Ed Sherman s clear explanations and diagrams take you step by step through the basics and beyond helping you track down even the most elusive problems a modern outboard can throw in your way his methodical approach can save you a world of frustration and peril as well as time and a half weekend mechanics charges *Books in Print Supplement* ,2002

Atlantic Fisherman ,1984-12 **Field & Stream** ,1984-02 FIELD STREAM America s largest outdoor sports magazine celebrates the outdoor experience with great stories compelling photography and sound advice while honoring the traditions hunters and fishermen have passed down for generations **Field & Stream** ,1988-03 FIELD STREAM America s largest outdoor sports magazine celebrates the outdoor experience with great stories compelling photography and sound advice while honoring the traditions hunters and fishermen have passed down for generations *Boating* ,2005-02 *Seloc Nissan/Tohatsu Outboards 1992-09 Repair Manual* (Seloc) Seloc,2010 Covers all 2 140 HP 2 stroke and 4 stroke engines including EFI TLDI Front cover *American Book Publishing Record* ,1992 [Adirondack Life](#) ,1988 *Field & Stream* ,1983-02 FIELD STREAM America s largest outdoor sports magazine celebrates the outdoor experience with great stories

compelling photography and sound advice while honoring the traditions hunters and fishermen have passed down for generations **Field & Stream** ,1983-02 FIELD STREAM America s largest outdoor sports magazine celebrates the outdoor experience with great stories compelling photography and sound advice while honoring the traditions hunters and fishermen have passed down for generations

Eventually, you will entirely discover a extra experience and triumph by spending more cash. yet when? realize you give a positive response that you require to acquire those every needs later than having significantly cash? Why dont you attempt to get something basic in the beginning? Thats something that will guide you to understand even more roughly speaking the globe, experience, some places, subsequent to history, amusement, and a lot more?

It is your agreed own mature to statute reviewing habit. in the middle of guides you could enjoy now is **Tohatsu 4 Hp Manual** below.

<https://movement.livewellcolorado.org/data/scholarship/Documents/the%20eccentricities%20of%20a%20nightingale%20summer%20and%20smoke%20two%20plays.pdf>

Table of Contents Tohatsu 4 Hp Manual

1. Understanding the eBook Tohatsu 4 Hp Manual
 - The Rise of Digital Reading Tohatsu 4 Hp Manual
 - Advantages of eBooks Over Traditional Books
2. Identifying Tohatsu 4 Hp Manual
 - Exploring Different Genres
 - Considering Fiction vs. Non-Fiction
 - Determining Your Reading Goals
3. Choosing the Right eBook Platform
 - Popular eBook Platforms
 - Features to Look for in an Tohatsu 4 Hp Manual
 - User-Friendly Interface
4. Exploring eBook Recommendations from Tohatsu 4 Hp Manual
 - Personalized Recommendations
 - Tohatsu 4 Hp Manual User Reviews and Ratings
 - Tohatsu 4 Hp Manual and Bestseller Lists

5. Accessing Tohatsu 4 Hp Manual Free and Paid eBooks
 - Tohatsu 4 Hp Manual Public Domain eBooks
 - Tohatsu 4 Hp Manual eBook Subscription Services
 - Tohatsu 4 Hp Manual Budget-Friendly Options
6. Navigating Tohatsu 4 Hp Manual eBook Formats
 - ePub, PDF, MOBI, and More
 - Tohatsu 4 Hp Manual Compatibility with Devices
 - Tohatsu 4 Hp Manual Enhanced eBook Features
7. Enhancing Your Reading Experience
 - Adjustable Fonts and Text Sizes of Tohatsu 4 Hp Manual
 - Highlighting and Note-Taking Tohatsu 4 Hp Manual
 - Interactive Elements Tohatsu 4 Hp Manual
8. Staying Engaged with Tohatsu 4 Hp Manual
 - Joining Online Reading Communities
 - Participating in Virtual Book Clubs
 - Following Authors and Publishers Tohatsu 4 Hp Manual
9. Balancing eBooks and Physical Books Tohatsu 4 Hp Manual
 - Benefits of a Digital Library
 - Creating a Diverse Reading Collection Tohatsu 4 Hp Manual
10. Overcoming Reading Challenges
 - Dealing with Digital Eye Strain
 - Minimizing Distractions
 - Managing Screen Time
11. Cultivating a Reading Routine Tohatsu 4 Hp Manual
 - Setting Reading Goals Tohatsu 4 Hp Manual
 - Carving Out Dedicated Reading Time
12. Sourcing Reliable Information of Tohatsu 4 Hp Manual
 - Fact-Checking eBook Content of Tohatsu 4 Hp Manual
 - Distinguishing Credible Sources
13. Promoting Lifelong Learning

- Utilizing eBooks for Skill Development
 - Exploring Educational eBooks
14. Embracing eBook Trends
- Integration of Multimedia Elements
 - Interactive and Gamified eBooks

Tohatsu 4 Hp Manual Introduction

Free PDF Books and Manuals for Download: Unlocking Knowledge at Your Fingertips In today's fast-paced digital age, obtaining valuable knowledge has become easier than ever. Thanks to the internet, a vast array of books and manuals are now available for free download in PDF format. Whether you are a student, professional, or simply an avid reader, this treasure trove of downloadable resources offers a wealth of information, conveniently accessible anytime, anywhere. The advent of online libraries and platforms dedicated to sharing knowledge has revolutionized the way we consume information. No longer confined to physical libraries or bookstores, readers can now access an extensive collection of digital books and manuals with just a few clicks. These resources, available in PDF, Microsoft Word, and PowerPoint formats, cater to a wide range of interests, including literature, technology, science, history, and much more. One notable platform where you can explore and download free Tohatsu 4 Hp Manual PDF books and manuals is the internet's largest free library. Hosted online, this catalog compiles a vast assortment of documents, making it a veritable goldmine of knowledge. With its easy-to-use website interface and customizable PDF generator, this platform offers a user-friendly experience, allowing individuals to effortlessly navigate and access the information they seek. The availability of free PDF books and manuals on this platform demonstrates its commitment to democratizing education and empowering individuals with the tools needed to succeed in their chosen fields. It allows anyone, regardless of their background or financial limitations, to expand their horizons and gain insights from experts in various disciplines. One of the most significant advantages of downloading PDF books and manuals lies in their portability. Unlike physical copies, digital books can be stored and carried on a single device, such as a tablet or smartphone, saving valuable space and weight. This convenience makes it possible for readers to have their entire library at their fingertips, whether they are commuting, traveling, or simply enjoying a lazy afternoon at home. Additionally, digital files are easily searchable, enabling readers to locate specific information within seconds. With a few keystrokes, users can search for keywords, topics, or phrases, making research and finding relevant information a breeze. This efficiency saves time and effort, streamlining the learning process and allowing individuals to focus on extracting the information they need. Furthermore, the availability of free PDF books and manuals fosters a culture of continuous learning. By removing financial barriers, more people can access educational resources and pursue lifelong learning, contributing to personal

growth and professional development. This democratization of knowledge promotes intellectual curiosity and empowers individuals to become lifelong learners, promoting progress and innovation in various fields. It is worth noting that while accessing free Tohatsu 4 Hp Manual PDF books and manuals is convenient and cost-effective, it is vital to respect copyright laws and intellectual property rights. Platforms offering free downloads often operate within legal boundaries, ensuring that the materials they provide are either in the public domain or authorized for distribution. By adhering to copyright laws, users can enjoy the benefits of free access to knowledge while supporting the authors and publishers who make these resources available. In conclusion, the availability of Tohatsu 4 Hp Manual free PDF books and manuals for download has revolutionized the way we access and consume knowledge. With just a few clicks, individuals can explore a vast collection of resources across different disciplines, all free of charge. This accessibility empowers individuals to become lifelong learners, contributing to personal growth, professional development, and the advancement of society as a whole. So why not unlock a world of knowledge today? Start exploring the vast sea of free PDF books and manuals waiting to be discovered right at your fingertips.

FAQs About Tohatsu 4 Hp Manual Books

What is a Tohatsu 4 Hp Manual PDF? A PDF (Portable Document Format) is a file format developed by Adobe that preserves the layout and formatting of a document, regardless of the software, hardware, or operating system used to view or print it. **How do I create a Tohatsu 4 Hp Manual PDF?** There are several ways to create a PDF: Use software like Adobe Acrobat, Microsoft Word, or Google Docs, which often have built-in PDF creation tools. Print to PDF: Many applications and operating systems have a "Print to PDF" option that allows you to save a document as a PDF file instead of printing it on paper. Online converters: There are various online tools that can convert different file types to PDF. **How do I edit a Tohatsu 4 Hp Manual PDF?** Editing a PDF can be done with software like Adobe Acrobat, which allows direct editing of text, images, and other elements within the PDF. Some free tools, like PDFescape or Smallpdf, also offer basic editing capabilities. **How do I convert a Tohatsu 4 Hp Manual PDF to another file format?** There are multiple ways to convert a PDF to another format: Use online converters like Smallpdf, Zamzar, or Adobe Acrobats export feature to convert PDFs to formats like Word, Excel, JPEG, etc. Software like Adobe Acrobat, Microsoft Word, or other PDF editors may have options to export or save PDFs in different formats. **How do I password-protect a Tohatsu 4 Hp Manual PDF?** Most PDF editing software allows you to add password protection. In Adobe Acrobat, for instance, you can go to "File" -> "Properties" -> "Security" to set a password to restrict access or editing capabilities. Are there any free alternatives to Adobe Acrobat for working with PDFs? Yes, there are many free alternatives for working with PDFs, such as: LibreOffice: Offers PDF editing

features. PDFsam: Allows splitting, merging, and editing PDFs. Foxit Reader: Provides basic PDF viewing and editing capabilities. How do I compress a PDF file? You can use online tools like Smallpdf, ILovePDF, or desktop software like Adobe Acrobat to compress PDF files without significant quality loss. Compression reduces the file size, making it easier to share and download. Can I fill out forms in a PDF file? Yes, most PDF viewers/editors like Adobe Acrobat, Preview (on Mac), or various online tools allow you to fill out forms in PDF files by selecting text fields and entering information. Are there any restrictions when working with PDFs? Some PDFs might have restrictions set by their creator, such as password protection, editing restrictions, or print restrictions. Breaking these restrictions might require specific software or tools, which may or may not be legal depending on the circumstances and local laws.

Find Tohatsu 4 Hp Manual :

the eccentricities of a nightingale summer and smoke two plays

the enduring vision eight edition volume 1

the diva wore diamonds the liturgical mysteries book english edition

the geek s guide to dating

the emergence of sociological theory

the facilities planning guide navfac p 437

the directory of executive recruiters

the five rules for successful stock investing

the extraterrestrial life debate 1750 1900 michael j crowe

the fall of peter pan the neverland chronicles

the game animators guide to maya

the essential world history 6th edition notes

~~the dissolution hours the dissolution hours disillusionment book 1~~

the dominant boss billionaire first time bbw english edition

the french for love english edition

Tohatsu 4 Hp Manual :

viaggio a vela translation into english examples italian - Apr 29 2022

web translations in context of viaggio a vela in italian english from reverso context la nostra combinazione di viaggio a vela e

accuratamente selezionati offerta vacanziera

amazon com oceani in barca a vela esperienze idee e - Apr 10 2023

web may 9 2020 buy oceani in barca a vela esperienze idee e pratici consigli per un grande viaggio intorno al mondo non solo vele italian edition read kindle store

via col vento itinerari a vela italian edition kindle edition - Feb 08 2023

web via col vento itinerari a vela italian edition ebook mina guya salvatori nicoletta amazon in kindle store

il viaggio del magic in barca a vela attorno al mondo per - Oct 04 2022

web il viaggio del magic in barca a vela attorno al mondo per cambiare la nostra vita non solo vele italian edition ebook strappaghetti daniela stefani antonino

viaggio in english cambridge dictionary - Mar 29 2022

web travel noun the act of travelling travels noun plural the visiting of foreign countries etc trek noun a long hard journey trip noun a journey or tour voyage noun a usually

9781792883682 il viaggio del magic in barca a vela - Sep 03 2022

web abebooks com il viaggio del magic in barca a vela attorno al mondo per cambiare la nostra vita non solo vele italian edition 9781792883682 by daniela strappaghetti

viaggio a vela italian edition kindle edition amazon com au - Jun 12 2023

web viaggio a vela italian edition ebook sofo damiano amazon com au kindle store

vacanze a vela italia noleggio dove come quando - May 11 2023

web vacanze a vela italia noleggio dove come quando vacanze a vela noleggio dove come quando italian edition ebook marozzini raffaella

via col vento itinerari a vela italian edition kindle edition - Jan 07 2023

web aug 2 2014 buy via col vento itinerari a vela italian edition read kindle store reviews amazon com

viaggio a venezia book cd imparare leggendo italian - Nov 24 2021

web jan 1 2008 viaggio a venezia book cd imparare leggendo italian edition history and legend intertwine and the past seems to come to life in the present let

viaggio a vela italian edition pdf free black ortax - Dec 06 2022

web facciata da cartolina le ho scoperte a piedi o dal mare in barca a vela ma ci sono andata anche con normali traghetti o fuoristrada o aerei il viaggio in s non era lo scopo sono

how to pronounce viaggio in italian howtopronounce com - Feb 25 2022

web how to say viaggio in italian pronunciation of viaggio with 16 audio pronunciations 19 synonyms 5 meanings 3

translations 37 sentences and more for viaggio

[viaggio a vela italian edition help environment harvard edu](#) - Nov 05 2022

web our digital library saves in multiple countries allowing you to get the most less latency time to download any of our books in the manner of this one merely said the viaggio a vela

viaggio a vela italian edition kindle edition amazon ca - Aug 14 2023

web may 11 2012 viaggio a vela italian edition ebook sofo damiano amazon ca kindle store skip to main content ca hello select your address kindle store hello sign in

amazon com vacanze a vela spagna mediterranea - Jan 27 2022

web aug 9 2023 vacanze a vela spagna mediterranea noleggio dove come quando vacanze a vela noleggio dove come quando italian edition

vacanze a vela amazon ca - Dec 26 2021

web italian edition by raffaella marozzini author davide besana foreword format kindle edition part of vacanze a vela noleggio dove come quando 6 books

vostro viaggio a vela translation into english examples italian - May 31 2022

web translations in context of vostro viaggio a vela in italian english from reverso context se siete alla ricerca di un avventura o semplicemente divertirvi qui troverete ulteriori

vivere a vela italian edition kindle edition amazon com au - Jul 01 2022

web vivere a vela italian edition ebook damigella giancarlo amazon com au books

viaggio a vela italian edition kindle edition amazon de - Mar 09 2023

web may 1 2012 sorry there was a problem saving your cookie preferences try again

il viaggio del magic in barca a vela attorno al mondo per - Aug 02 2022

web dec 30 2018 il viaggio del magic in barca a vela attorno al mondo per cambiare la nostra vita non solo vele italian edition daniela strappaghetti antonino stefani on

viaggio a vela italian edition kindle edition amazon co uk - Jul 13 2023

web may 11 2012 viaggio a vela italian edition ebook sofo damiano amazon co uk kindle store

introduction to applied geophysics courses - Apr 30 2022

web dec 10 2022 introduction to applied geophysics by stanislav mareš s mares m tvrđý 1984 d reidel pub sold and distributed in the u s a and canada by kluwer

reynolds an introduction to applied and environmental - Dec 27 2021

web the geophysical methods are were not used in an appropriate manner setting key points geophysics is just another tool

to help solve geologic hydrogeologic problems

applied geophysics introduction to - Jul 14 2023

web applied geophysics comprises the following subjects determination of the thickness of the crust which is important in hydrocarbon exploration study of shallow structures for

pdf introduction to applied geophysics academia edu - Mar 10 2023

web aug 17 2023 introduction to applied geophysics by h robert burger anne f sheehan craig h jones 2023 cambridge university press edition in english

applied geophysics lecture notes tishk international university - Jun 13 2023

web a textbook that explains the methods and applications of geophysics in the shallow subsurface such as seismology gravity magnetics and radar the book includes a cd

introduction to applied geophysics by stanislav mareš open - Jan 28 2022

web jan 1 2014 the national service of water resources snre of haiti has made an inventory of geophysical data in haiti and executed additional studies in seven alluvial

introduction to applied geophysics higher education - Aug 15 2023

web 978 1 009 43312 9 introduction to applied geophysics h robert burger anne f sheehan craig h jones frontmatter more information cambridge university press

introduction to applied geophysics open library - Feb 09 2023

web book title introduction to applied geophysics authors s mares m tvrdý publisher springer dordrecht copyright information springer science business media b v 1984

eosc 350 lecture 2 introduction to applied geophysics doug - Mar 30 2022

web an introduction to applied and environmental geophysics 2nd edition welcome to the companion site for an introduction to applied and environmental geophysics by

introduction to applied geophysics exploring the - Jul 02 2022

web sep 14 2016 2 7k views 6 years ago eosc 350 2017 fundamentals of applied geophysics discussion on physical properties and a 7 step framework for applied

an introduction to applied and environmental geophysics 2nd - Feb 26 2022

web the term geophysics classically refers to solid earth applications earth s shape its gravitational magnetic fields and electromagnetic fields its internal structure and

pdf introduction to applied geophysics academia edu - Sep 23 2021

an introduction to applied and environmental geophysics - Apr 11 2023

web a pdf document that provides an overview of the basic principles applications and factors influencing geophysical exploration for engineering environmental mining and

fundamental of applied geophysics researchgate - Oct 25 2021

an introduction to applied and environmental - Jun 01 2022

web description an introduction to applied and environmental geophysics 2nd edition describes the rapidly developing field of near surface geophysics the book covers a

introduction to applied geophysics google books - May 12 2023

web jul 7 2011 an introduction to applied and environmental geophysics john m reynolds john wiley sons jul 7 2011 science 712 pages an introduction to

geophysics wikipedia - Nov 25 2021

introduction to applied geophysics springerlink - Jan 08 2023

web jan 16 2019 an introduction to applied and environmental geophysics pages 33 40 published online 16 jan 2019 download citation

an introduction to applied and environmental geophysics - Dec 07 2022

web introduction to applied geophysics s mares springer science business media aug 31 1984 science 581 pages to applied geophysics stanis lay mare et

introduction to applied geophysics google books - Aug 03 2022

web sep 22 2022 the exploration section reviews the basic tools of exploration geophysics including seismic analysis gravity techniques magnetic methods electrical survey

eosc 350 an introduction to applied geophysics - Oct 05 2022

web includes bibliographical references and index publisher s summary introduction to applied geophysics covers the fundamental principles and common methods of

introduction to applied geophysics s mares google books - Nov 06 2022

web summary for applied geophysics multi disciplinary brings together mathematics physics computer science geology engineering into a single context requires team

introduction to applied geophysics exploring the shallow - Sep 04 2022

web feb 12 2011 springer netherlands feb 12 2011 science 581 pages to applied geophysics stanis lay mare et al faculty of

science charles university

[download pdf padi rescue diver manual pdf 4ie3v8l18rg0](#) - Mar 21 2022

web download original pdf this document was uploaded by user and they confirmed that they have the permission to share it if you are author or own the copyright of this book please report to us by using this dmca report form report dmca download pdf padi rescue diver manual pdf 4ie3v8l18rg0

t submariner padi rescue diver eine lohnende herausforderung - Apr 02 2023

web lehrbuch padi rescue diver manual in deutsch padi unfallmanagement arbeitstafel schwimmbadeintritt freiwassertauchgänge flaschenfüllungen prüfungsgebühren taucherausweis padi ecard gold ausrüstungstransport bei ausfahrten leih tauchausrüstung bestehend aus padi rescue diver video neo pren anzug in allen

padi rescue diver kurs - Oct 08 2023

web der padi rescue diver kurs wird dein tauchen verändern und zwar auf bestmögliche weise lerne wie man kleinere probleme erkennt und löst bevor sie zu großen problemen werden eigne dir eine menge selbstvertrauen an und habe beim lernen viel spaß finde heraus warum unzählige taucher sagen dass der padi rescue diver

[rescue diver wikipedia](#) - Jul 05 2023

web rescue diver abgekürzt rd deutsche Übersetzung rettungstaucher ist die bezeichnung einer brevetierung im padi und sdi ausbildungssystem voraussetzung für diese gerätetaucher ausbildung ist der advanced open water diver kurs aowd und behandelt den umgang mit notsituationen unter wasser

padi rescue diver manual pdf pdf scribd - Aug 06 2023

web john le carré padi rescue diver manual pdfdrive com pdf free ebook download as pdf file pdf or read book online for free

padi rescue diver product updates padi pros - Jul 25 2022

web padi rescue diver manual updated the padi rescue diver manual has a new look and revised knowledge reviews to match the padi rescue diver touchtm you ll want to get updated knowledge review answer keys before

padi instructor manual 2020 padi pros - Mar 01 2023

web in the rescue diver course instructor guide there are new reminders about sequencing including to conduct rescue exercises in sequence because each exercise builds upon previously learned skills also a requirement to complete rescue exercises 1 6 before rescue scenario 1 and exercises 7 10 before rescue scenario 2

divemaster manual slates instructor manual deutsch - Dec 30 2022

web pack divemaster manual slates instructor manual deutsch nicht vorrätig dieses produkt ist derzeit ausverkauft und nicht verfügbar

[padi rescue diver course](#) - Aug 26 2022

web how to become a rescue diver learn how to think like a rescue diver through home study and skill practice with an instructor all padi courses are flexible and performance based you ll practice basic rescue skills and then show you
rescue diver manual deutsch amazon de sport freizeit - Jan 31 2023

web rescue diver manual deutsch amazon de sport freizeit zum hauptinhalt wechseln de lieferung an kassel 34117 melde dich an um deinen standort zu aktualisieren sport freizeit wähle die kategorie aus in der du suchen möchtest suche amazon de de hallo anmelden

the rescue diver course everything you need to know padi - Apr 21 2022

web padi open water divers can enroll in a rescue diver course to complete their knowledge development and confined water rescue exercises however they ll need to meet the prerequisites listed above before they can complete the open water exercises and earn their padi rescue diver certification

padi rescue diver manual abebooks - Oct 28 2022

web padi rescue diver manual 2005 edition by editors and a great selection of related books art and collectibles available now at abebooks com

padi manual rescue diver deutsch 70080g dive king - Sep 07 2023

web padi manual rescue diver deutsch 70080g das von uns hier angebotene padi ausbildungsmaterial ist natürlich top aktuell und immer die neuste

rescue diver professional association of diving instructors - Nov 28 2022

web do you want to become a padi rescue diver and learn how to prevent and manage problems in the water check out this webpage to access the interactive elearning

padi rescue diver online padi pros - Sep 26 2022

web a pocket mask the accident management workslate and pocket mask are available in our rescue diver elearning enhancement pak product no 70820 member price is 39 65 the quick quiz is a free download from the padi pro s site registration and pricing view retail cost for the student

padi rescue diver manual d mit notfalltafel günstig kaufen - May 03 2023

web feb 25 2010 das padi rescue diver manual mit der im lieferumfang enthaltenen notfalltafel gibt wertvolle anleitungen und hilfen auf dem weg zum padi rescue diver rettungstaucher mit vielen foto s und darstellungen ist das buch zum selbststudium oder auch begleitend zum tauchkurs zu verwenden

rescue diver archives padi pros - Feb 17 2022

web padi rescue diver manual updated the padi rescue diver manual has a new look and revised knowledge reviews to match the padi rescue diver touchtm you ll want to get updated knowledge review answer keys before

79102 rescue diver manual 01 cover padi pros - May 23 2022

web oct 31 2023 how one padi dive center is working to close the gender gap among padi pros read article zeynep gözde akbayir october 31 2023

padi manual rescue diver mit notfalltafel tauchen24 com - Jun 04 2023

web wertvolle anleitungen und hilfestellungen auf ihrem weg zum padi rescue diver erhalten sie aus diesem padi rescue diver manual inkl notfalltafel das buch ist mit vielen fotos und darstellungen sehr gut zum selbststudium

padi rescue diver manual free download borrow and - Jun 23 2022

web padi rescue diver manual free download borrow and streaming internet archive