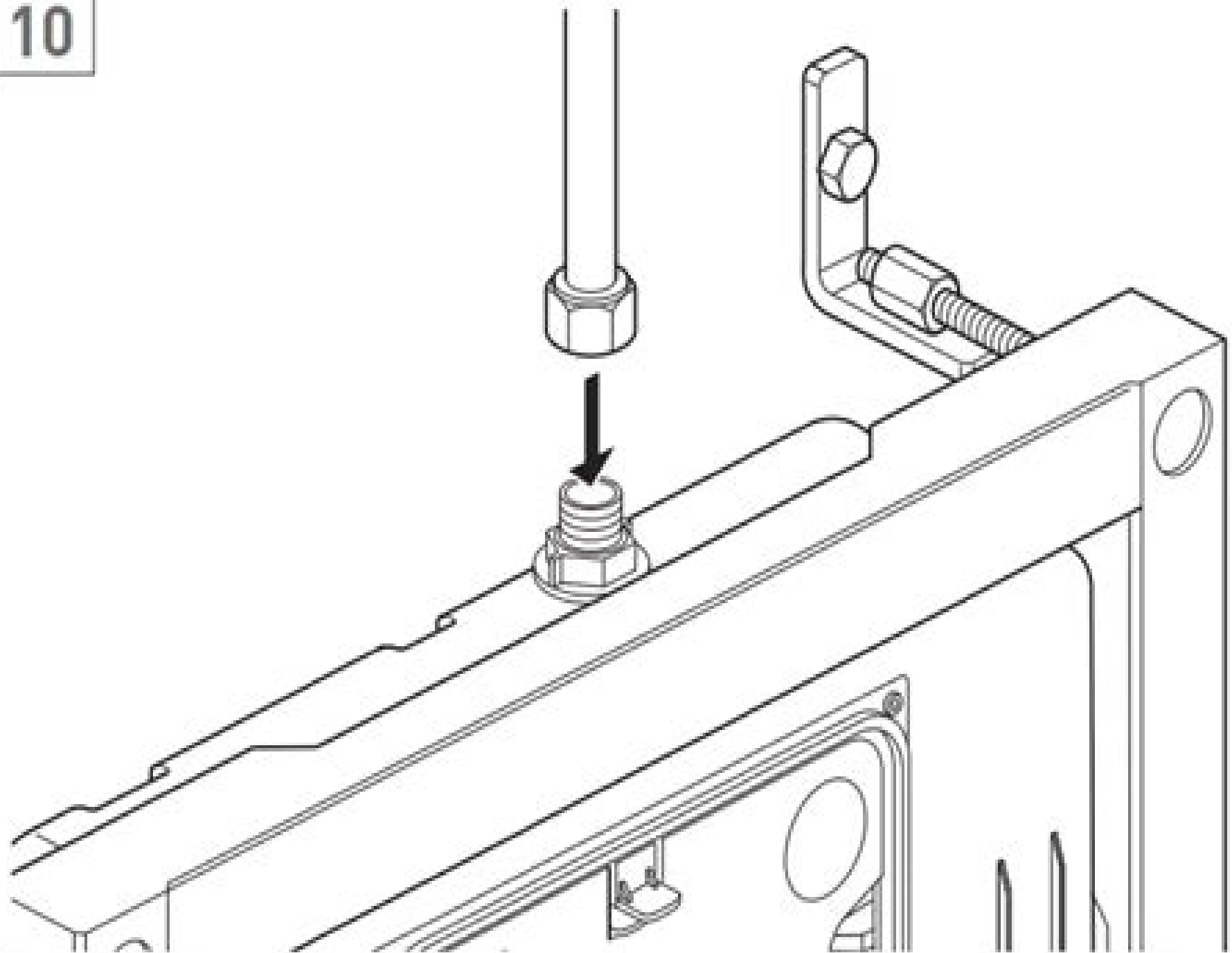


10



# Vado Hd User Guide

**Patrick Vollmar**



## Vado Hd User Guide:

**User's Guide for RIOFISH**, 1995      **Plug-in to After Effects** Michele Yamazaki, 2013-07-24 Take your After Effects projects to the next level by mastering its third party plug ins Whether it s keying and compositing adding particles of swirling smoke to a composition or importing XML files from Final Cut Pro third party plug ins can greatly enhance your After Effects capabilities From sexy effects and graphics enhancements to workflow automation and file conversion it s all covered in this lavishly illustrated full color book Coverage of hundreds of essential third party plug ins is provided showing you when why and how to use each plug in Plug ins for color style effects distortions warps transitions lens flares text and graphical elements and more are all covered in depth      **Enhancing Instruction with Visual Media: Utilizing Video and Lecture Capture** Smyth, Ellen G., Volker, John X., 2013-04-30 This book offers unique approaches for integrating visual media into an instructional environment by covering the impact media has on student learning and various visual options to use in the classroom Provided by publisher      *Lloyd's Register OneOcean's Guide to Port Entry 1993-94 Albania-Jordan* Lloyd's Register Foundation, 1993-01-01 First published in 1971 these Guides provide invaluable information on thousands of commercial ports and terminals across the globe They are compiled and published annually by LR OneOcean whose years of global maritime experience allows them to provide expert and innovative solutions that enhance efficiency sustainability and overall industry success The Guides cover a significant geographical breadth and the most recent volume includes information on over 12 500 ports harbours and terminals worldwide These are fully indexed and contain detailed port plans and mooring diagrams      *Rough Guide Audio Phrasebook and Dictionary - Italian* Rough Guides, 2014-07-17 The Rough Guide Audio Phrasebook and Dictionary Italian is a highly practical introduction to the language great for learning the basics before you go and for looking up words and phrases while you re on holiday Learn to say and understand key phrases by listening along to dialogue either within the ebook if your e reader supports audio or at roughguides com phrasebooks The book also includes an English Italian and Italian English double dictionary travel tips from Rough Guide authors and an extensive menu reader Equivalent printed extent 264 pages      [Speak and Write Italian: A Simple Guide to Learn and Master Italian for Beginners](#) Pasquale De Marco, 2025-03-21 Journey into the Heart of Italian Language and Culture A Comprehensive Guide for Language Enthusiasts and Culture Seekers Embark on a linguistic adventure with Speak and Write Italian A Simple Guide to Learn and Master Italian for Beginners your trusted companion to mastering the Italian language and immersing yourself in its vibrant culture This comprehensive guide is meticulously designed to cater to learners of all levels from absolute beginners to those seeking to enhance their existing knowledge Unveiling the Secrets of Italian A Step by Step Approach With clear explanations engaging lessons and practical exercises this book takes you on a journey through the fundamentals of Italian grammar pronunciation and vocabulary You will effortlessly grasp the intricacies of verb conjugations master noun declensions and expand your vocabulary with essential words and phrases More than just a

language guide this book delves into the heart of Italian culture providing fascinating insights into the country's rich history captivating art delectable cuisine and vibrant traditions Discover the iconic landmarks of Rome Florence and Venice savor the flavors of traditional Italian dishes and immerse yourself in the music cinema and literature that have shaped Italian culture Enrich Your Travel Experiences with Italian Proficiency Whether you're planning a trip to Italy or simply want to connect with your Italian heritage this book equips you with the language skills and cultural knowledge to navigate any situation with confidence Engage in meaningful conversations with locals navigate public transportation order food at restaurants and explore hidden gems like a true insider Unlock the World of Italian Literature Art and Cinema With a solid foundation in Italian you will unlock a treasure trove of literary masterpieces cinematic gems and artistic wonders Immerse yourself in the works of Dante Petrarch and Boccaccio be captivated by the films of Fellini Antonioni and Visconti and admire the breathtaking beauty of Michelangelo Raphael and Caravaggio Embrace the Italian Way of Life La Dolce Vita Learning Italian is not just about mastering a language it's about embracing a way of life Discover the Italian passion for food family and art appreciate the importance of taking time to relax and enjoy life and indulge in the simple pleasures that make Italy such a beloved destination With Speak and Write Italian A Simple Guide to Learn and Master Italian for Beginners you hold the key to unlocking the secrets of the Italian language and culture Embark on this exciting journey today and transform your understanding of one of the world's most beautiful and expressive languages If you like this book write a review

**Proposed Santa Fe National Forest Plan**, 1986 Selected Water Resources Abstracts, 1990-07 **A manual of etymology; or a vocabulary of English words derived from the Latin language, principally through the medium of the French; with notes, etc** Robert SULLIVAN (LL.D.), 1831 **Rough Guide Phrasebook: Italian** Rough Guides, 2011-08-01 Make the most of your trip with the Rough Guide Italian Phrasebook Find the perfect word or phrase for every situation Use extensive two way dictionary packed with vocabulary Choose food and drink from any menu Check out travel tips and a regional pronunciation guide Listen to correct pronunciation of essential dialogues DOWNLOAD EASY AUDIOFILES OF CONVERSATIONS FROM [www.roughguides.com](http://www.roughguides.com) 15-Minute Italian DK, 2023-08-08 Whether you are planning to travel to Italy or just curious to learn a new language this 15 minute language pack is the perfect tool for anyone who wants to learn Italian fast 15 Minute Italian has 12 themed chapters spanning a range of practical themes from socializing to doing business By practicing 15 minutes a day 5 days a week you can introduce yourself fix an appointment order your favorite dish ask about the nearest shopping center and much more This handy volume is an ideal Italian language course for beginners and also contains a menu guide and an Italian to English and English to Italian dictionary It also comes with a free downloadable audio app for phones that will enable you to hear words and phrases spoken by native Italian speakers The colorful illustrations and unique visual approach of 15 Minute Italian makes learning quick easy and fun

**New Mexico** Van Beacham, 2010-08-15 A Wilderness Adventures Press flyfishing guidebook Cover **Compass**

**American Guides - New Mexico** Fodor's, Inc. Fodor's Travel Publications, 2005-05 Describes New Mexico and the Santa Fe Taos and Albuquerque areas recommends hotels and restaurants and offers advice on tours festivals nightlife outdoor activities and entertainment

**History Lover's Guide to Albuquerque, A** Roger M. Zimmerman, 2019 This tour of New Mexico's largest city goes beyond the traditional guidebook to offer a historical journal through an area rich with diverse cultures and their fascinating past The journey through time starts with the settlement of Native Americans in pueblos along the Rio Grande and then initiatives by Spain to settle and convert the region Visit Old Town Plaza where trade from the El Camino Real and Santa Fe Trails flourished Look around lesser known sites including railroad depot facilities major military landmarks and nostalgic Route 66 Join author and local history lover Roger Zimmerman as he carefully curates an expedition through each era of Albuquerque's history and its most beloved sites

**Monthly Catalogue, United States Public Documents**, 1987

**Monthly Catalog of United States Government Publications**, 2000

**Indexes** United States. Environmental Protection Agency, 1983

Lloyd's Register OneOcean's Guide to Port Entry 1977-1978 Nations A-K Lloyd's Register Foundation, 1977-01-01 First published in 1971 these Guides provide invaluable information on thousands of commercial ports and terminals across the globe They are compiled and published annually by LR OneOcean whose years of global maritime experience allows them to provide expert and innovative solutions that enhance efficiency sustainability and overall industry success The Guides cover a significant geographical breadth and the most recent volume includes information on over 12 500 ports harbours and terminals worldwide These are fully indexed and contain detailed port plans and mooring diagrams

Lloyd's Register OneOcean's Guide to Port Entry 1991-1992 Nations A-L Lloyd's Register Foundation, 1991-01-01 First published in 1971 these Guides provide invaluable information on thousands of commercial ports and terminals across the globe They are compiled and published annually by LR OneOcean whose years of global maritime experience allows them to provide expert and innovative solutions that enhance efficiency sustainability and overall industry success The Guides cover a significant geographical breadth and the most recent volume includes information on over 12 500 ports harbours and terminals worldwide These are fully indexed and contain detailed port plans and mooring diagrams

**Readers' Guide to Periodical Literature**, 1910

## Decoding **Vado Hd User Guide**: Revealing the Captivating Potential of Verbal Expression

In a time characterized by interconnectedness and an insatiable thirst for knowledge, the captivating potential of verbal expression has emerged as a formidable force. Its capability to evoke sentiments, stimulate introspection, and incite profound transformations is genuinely awe-inspiring. Within the pages of "**Vado Hd User Guide**," a mesmerizing literary creation penned by way of a celebrated wordsmith, readers set about an enlightening odyssey, unraveling the intricate significance of language and its enduring effect on our lives. In this appraisal, we shall explore the book's central themes, evaluate its distinctive writing style, and gauge its pervasive influence on the hearts and minds of its readership.

[https://movement.livewellcolorado.org/book/browse/HomePages/westinghouse\\_tv\\_owners\\_manual.pdf](https://movement.livewellcolorado.org/book/browse/HomePages/westinghouse_tv_owners_manual.pdf)

### **Table of Contents Vado Hd User Guide**

1. Understanding the eBook Vado Hd User Guide
  - The Rise of Digital Reading Vado Hd User Guide
  - Advantages of eBooks Over Traditional Books
2. Identifying Vado Hd User Guide
  - Exploring Different Genres
  - Considering Fiction vs. Non-Fiction
  - Determining Your Reading Goals
3. Choosing the Right eBook Platform
  - Popular eBook Platforms
  - Features to Look for in an Vado Hd User Guide
  - User-Friendly Interface
4. Exploring eBook Recommendations from Vado Hd User Guide
  - Personalized Recommendations
  - Vado Hd User Guide User Reviews and Ratings
  - Vado Hd User Guide and Bestseller Lists

5. Accessing Vado Hd User Guide Free and Paid eBooks
  - Vado Hd User Guide Public Domain eBooks
  - Vado Hd User Guide eBook Subscription Services
  - Vado Hd User Guide Budget-Friendly Options
6. Navigating Vado Hd User Guide eBook Formats
  - ePub, PDF, MOBI, and More
  - Vado Hd User Guide Compatibility with Devices
  - Vado Hd User Guide Enhanced eBook Features
7. Enhancing Your Reading Experience
  - Adjustable Fonts and Text Sizes of Vado Hd User Guide
  - Highlighting and Note-Taking Vado Hd User Guide
  - Interactive Elements Vado Hd User Guide
8. Staying Engaged with Vado Hd User Guide
  - Joining Online Reading Communities
  - Participating in Virtual Book Clubs
  - Following Authors and Publishers Vado Hd User Guide
9. Balancing eBooks and Physical Books Vado Hd User Guide
  - Benefits of a Digital Library
  - Creating a Diverse Reading Collection Vado Hd User Guide
10. Overcoming Reading Challenges
  - Dealing with Digital Eye Strain
  - Minimizing Distractions
  - Managing Screen Time
11. Cultivating a Reading Routine Vado Hd User Guide
  - Setting Reading Goals Vado Hd User Guide
  - Carving Out Dedicated Reading Time
12. Sourcing Reliable Information of Vado Hd User Guide
  - Fact-Checking eBook Content of Vado Hd User Guide
  - Distinguishing Credible Sources
13. Promoting Lifelong Learning

- Utilizing eBooks for Skill Development
  - Exploring Educational eBooks
14. Embracing eBook Trends
- Integration of Multimedia Elements
  - Interactive and Gamified eBooks

### **Vado Hd User Guide Introduction**

In today's digital age, the availability of Vado Hd User Guide books and manuals for download has revolutionized the way we access information. Gone are the days of physically flipping through pages and carrying heavy textbooks or manuals. With just a few clicks, we can now access a wealth of knowledge from the comfort of our own homes or on the go. This article will explore the advantages of Vado Hd User Guide books and manuals for download, along with some popular platforms that offer these resources. One of the significant advantages of Vado Hd User Guide books and manuals for download is the cost-saving aspect. Traditional books and manuals can be costly, especially if you need to purchase several of them for educational or professional purposes. By accessing Vado Hd User Guide versions, you eliminate the need to spend money on physical copies. This not only saves you money but also reduces the environmental impact associated with book production and transportation. Furthermore, Vado Hd User Guide books and manuals for download are incredibly convenient. With just a computer or smartphone and an internet connection, you can access a vast library of resources on any subject imaginable. Whether you're a student looking for textbooks, a professional seeking industry-specific manuals, or someone interested in self-improvement, these digital resources provide an efficient and accessible means of acquiring knowledge. Moreover, PDF books and manuals offer a range of benefits compared to other digital formats. PDF files are designed to retain their formatting regardless of the device used to open them. This ensures that the content appears exactly as intended by the author, with no loss of formatting or missing graphics. Additionally, PDF files can be easily annotated, bookmarked, and searched for specific terms, making them highly practical for studying or referencing. When it comes to accessing Vado Hd User Guide books and manuals, several platforms offer an extensive collection of resources. One such platform is Project Gutenberg, a nonprofit organization that provides over 60,000 free eBooks. These books are primarily in the public domain, meaning they can be freely distributed and downloaded. Project Gutenberg offers a wide range of classic literature, making it an excellent resource for literature enthusiasts. Another popular platform for Vado Hd User Guide books and manuals is Open Library. Open Library is an initiative of the Internet Archive, a non-profit organization dedicated to digitizing cultural artifacts and making them accessible to the public. Open Library hosts millions of books, including both public domain works and contemporary titles. It also allows users to borrow digital copies of certain books for a limited period, similar to a library.



lending system. Additionally, many universities and educational institutions have their own digital libraries that provide free access to PDF books and manuals. These libraries often offer academic texts, research papers, and technical manuals, making them invaluable resources for students and researchers. Some notable examples include MIT OpenCourseWare, which offers free access to course materials from the Massachusetts Institute of Technology, and the Digital Public Library of America, which provides a vast collection of digitized books and historical documents. In conclusion, Vado Hd User Guide books and manuals for download have transformed the way we access information. They provide a cost-effective and convenient means of acquiring knowledge, offering the ability to access a vast library of resources at our fingertips. With platforms like Project Gutenberg, Open Library, and various digital libraries offered by educational institutions, we have access to an ever-expanding collection of books and manuals. Whether for educational, professional, or personal purposes, these digital resources serve as valuable tools for continuous learning and self-improvement. So why not take advantage of the vast world of Vado Hd User Guide books and manuals for download and embark on your journey of knowledge?

### **FAQs About Vado Hd User Guide Books**

How do I know which eBook platform is the best for me? Finding the best eBook platform depends on your reading preferences and device compatibility. Research different platforms, read user reviews, and explore their features before making a choice. Are free eBooks of good quality? Yes, many reputable platforms offer high-quality free eBooks, including classics and public domain works. However, make sure to verify the source to ensure the eBook credibility. Can I read eBooks without an eReader? Absolutely! Most eBook platforms offer web-based readers or mobile apps that allow you to read eBooks on your computer, tablet, or smartphone. How do I avoid digital eye strain while reading eBooks? To prevent digital eye strain, take regular breaks, adjust the font size and background color, and ensure proper lighting while reading eBooks. What the advantage of interactive eBooks? Interactive eBooks incorporate multimedia elements, quizzes, and activities, enhancing the reader engagement and providing a more immersive learning experience. Vado Hd User Guide is one of the best book in our library for free trial. We provide copy of Vado Hd User Guide in digital format, so the resources that you find are reliable. There are also many Ebooks of related with Vado Hd User Guide. Where to download Vado Hd User Guide online for free? Are you looking for Vado Hd User Guide PDF? This is definitely going to save you time and cash in something you should think about.

**Find Vado Hd User Guide :**

[westinghouse tv owners manual](#)

[weygandt managerial accounting 6e solutions ch 11](#)

**what are international edition textbooks**

[weygandt managerial accounting 6e solutions manual ch05](#)

**wfal english edition**

[well labelled diagram of chlorella](#)

[wharfedale l15t11w c manual](#)

**what causes a blinking check engine light**

[westinghouse digital timer manual](#)

[western digital wdbaaa2500abk storage owners manual](#)

[west bend 6130 grills owners manual](#)

[western digital wdx3200jb storage owners manual](#)

[wendler 531 manual](#)

**western digital wd800ve storage owners manual**

[were did the gospel go](#)

**Vado Hd User Guide :**

[dark hunters infinity series by sherrilyn kenyon goodreads](#) - Jun 28 2023

web mar 26 2013 with a single mom struggling to make ends meet his secondhand clothes aren t exactly making him popular with the in crowd at school no nick fits in much

**the dark hunters infinity vol 1 01 amazon com au** - Apr 14 2022

[sherrilyn mcqueen](#) - Mar 14 2022

[infinity dark hunter wiki fandom](#) - Jul 30 2023

web mar 26 2013 a manga adaptation of sherrilyn kenyon s chronicles of nick series a prequel to the immensely popular dark hunters a young streetwise nick gautier

**the dark hunters infinity 1 kenyon sherrilyn 1965 author** - Feb 10 2022

[manga sherrilyn mcqueen](#) - Aug 19 2022

web dec 10 2021 234 pages 21 cm

[the dark hunters infinity vol 1 amazon com](#) - Feb 22 2023

web in addition to being a 1 international new york times bestselling author sherrilyn kenyon is also a new york times bestselling author of manga for several international

**the dark hunters infinity vol 1 ebook barnes** - Nov 21 2022

web the dark hunters infinity vol 1 kindle comixology by sherrilyn kenyon author artist jiyoung ahn illustrator format kindle edition 4 7 out of 5 stars 134 ratings

**the dark hunters infinity vol 2 the dark hunters 2** - Dec 23 2022

web the dark hunter wiki is a free public and collaborative encyclopedia about all things related to the sherrilyn kenyon and kinley macgregor series of books in the dark hunter universe it is here to unite fans and encourage them to write in depth articles about the books and characters along with any other elements relating to the dark hunter

**the dark hunters infinity vol 1 dark hunter wiki fandom** - Jan 24 2023

web may 20 2021 rescued by the mysterious kyrian of thrace nick suddenly finds himself indoctrinated into a bizarre supernatural world that of the dark hunters where he

**the dark hunters infinity vol 2 by sherrilyn kenyon** - Mar 26 2023

web the dark hunters infinity volume 1 story by sherrilyn kenyon art by jiyoung ahn march 2013 isbn 978 0 316 19053 4 12 99 13 99 256 pages 5 75 x 8 25

[dark hunters infinity vol 1 sherrilyn mcqueen](#) - May 28 2023

web the dark hunters infinity genre manga young adult related to infinity followed by the dark hunters infinity vol 2 first edition details story by sherrilyn kenyon illustrator jiyoung ahn release date march 26 2013 publisher yen press pages 240 isbn isbn 9780316190534 external links official page the dark hunters infinity vol 1

**the dark hunters infinity vol 1 the dark hunters 1** - Apr 26 2023

web rescued by the mysterious kyrian of thrace nick suddenly finds himself indoctrinated into a bizarre supernatural world that of the dark hunters where he discovers that life isn't

[the dark hunters infinity vol 1 google books](#) - Jan 12 2022

**the dark hunters infinity story by sherrilyn kenyon art** - Sep 19 2022

web born of blood is finally released august 23 2022 a huge thank you to all my wonderful paladins for your patience while i get my life back on track it's been a long hard battle i

*the dark hunters infinity baka updates manga* - Jul 18 2022

web mar 26 2013 rescued by the mysterious kyrian of thrace nick suddenly finds himself indoctrinated into a bizarre supernatural world that of the dark hunters where he

**infinity dark yu gi oh wiki fandom** - Dec 11 2021

*download play infinity hunter on pc mac emulator* - Nov 09 2021

**dark hunters infinity sherrilyn mcqueen** - Aug 31 2023

web book 1 the dark hunters infinity vol 1 by sherrilyn kenyon 4 31 949 ratings 53 reviews published 2013 8 editions a manga adaptation of sherrilyn kenyon s

*the dark hunters infinity manga anime planet* - Oct 21 2022

web apr 12 2016 the dark hunters infinity vol 1 01 paperback 12 april 2016 fourteen year old nick gautier doesn t have it easy with a single mom struggling to make ends

**the dark hunters infinity vol 1 kindle comixology** - May 16 2022

web infinity hunter is a role playing game developed by olarksil bluestacks app player is the best pc platform emulator to play this android game on your pc or mac for an

**dark hunter wiki fandom** - Jun 16 2022

web this card is treated as a normal monster while face up on the field or in the graveyard while this card is face up on the field you can normal summon it to have it be treated as

*hueber themen aktuell 2 kb ab lekt 1 5 shop* - Apr 14 2022

die sechsbändige ausgabe beinhaltet pro band je 5 lektionen kursbuch und arbeitsbuch sowie eine audio cd mit hörtexten die sechsbändige ausgabe ist inhaltsgleich mit der dreibändigen ausgabe mit separatem arbeitsbuch

**themen aktuell 1 google books** - Oct 21 2022

dec 15 2003 themen aktuell 1 deutsch als fremdsprache pdf download glossar deutsch englisch hartmut aufderstraße heiko bock mechthild gerdes helmut müller jutta müller hueber verlag dec 15 2003 education 68 pages

**themen aktuell info kursbuch hueber** - Jun 28 2023

das kursbuch einstiegseite lesetexte texte zum hörverstehen texte am schluss der lektion schreibübungen dialogtexte grammatik wie viele unterrichtsstunden braucht man für eine lektion wortliste deutsch arabisch das arbeitsbuch zweisprachige arbeitsbücher der unterschied zwischen kursbuch und arbeitsbuch zertifikatsband die cd

**hueber themen aktuell reihen und lehrwerke rl download** - Apr 26 2023

bei allen ausgaben enthält das kursbuch themen aktuell 1 gratis die cd rom zum multimedialen Üben zielgruppe erwachsene anfänger in grundstufenkursen an volkshochschulen goethe instituten universitäten privaten sprachschulen und anderen institutionen weltweit die kurse in deutsch als fremdsprache besuchen

**themen aktuell online Übungen hueber** - Mar 26 2023

lektion 1 aussehen und persönlichkeit 6 Übungen lektion 2 schule ausbildung beruf 5 Übungen lektion 3 unterhaltung und fernsehen 7 Übungen lektion 4 industrie arbeit wirtschaft 8 Übungen lektion 5 familie und persönliche beziehungen 5 Übungen lektion 6 natur und umwelt 6 Übungen lektion 7 deutsche im ausland und

**themen aktuell 1 google books** - Jun 16 2022

nov 1 2012 themen aktuell 1 deutsch als fremdsprache pdf download glossar deutsch albanisch fjalorth gjermanisht shqip hartmut aufderstraße heiko bock mechthild gerdes jutta müller hueber verlag nov 1 2012 education 72 pages zielniveau a1 das glossar enthält den gesamten wortschatz sowie wendungen zum kursbuch

**hueber themen aktuell 1 ab shop** - Jan 24 2023

dieses arbeitsbuch zu themen aktuell 1 enthält zahlreiche Übungen zum wortschatz zur grammatik und zur mündlichen und schriftlichen sprachproduktion lektionsweise Übersichten über den aktiv zu lernenden wortschatz und die grammatik einen lösungsschlüssel

**themen aktuell info hueber** - Oct 01 2023

info unterrichten lernen Überblick entdecken sie themen aktuell lernziel kommunikation in alltagssituationen aktive teilnahme an gesprächen über allgemein interessierende themen sinnvoller umgang mit einfachen literarischen und feuilletonistischen texten sowie sachtexten

**themen aktuell 1 kursbuch pdf google drive** - Aug 31 2023

themen aktuell 1 kursbuch pdf themen aktuell 1 kursbuch pdf sign in details

**themen aktuell info cd rom hueber** - Feb 22 2023

bei allen ausgaben enthält das kursbuch themen aktuell 1 die cd rom zum multimedialen Üben die cd rom zu themen aktuell 1 ist die multimediale erweiterung zum kursbuch und mit ihren interaktiven elementen ideal geeignet für die häusliche vor *themen aktuell info hörverstehen hueber* - Mar 14 2022

themen aktuell info hörverstehen hueber deutsch als fremdsprache daf daz lehrwerke themen aktuell info unterrichten lernen kursbuch texte zum hörverstehen auch bei hörtexten wird das verständnis sukzessive aufgebaut

*themen aktuell lehren materialien hueber* - Jul 30 2023

themen aktuell 1 themen aktuell 2 zertifikatsband postleitzahlen pdf378 8 kb lektion 1 nach Übung 7 geräte computer waschmaschinen pdf217 6 kb lektion 2 nach Übung 8 möbel pdf104 5 kb2 seiten lektion 2 nach Übung 8 einkaufen pdf96 8

kb3 seiten lektion 3 nach Übung 19 sport pdf306 5 kb lektion 6 nach Übung 12 kopfschmerzen pdf288 6 kb  
themen aktuell info arbeitsbuch hueber - Aug 19 2022

alle Übungen sind einzelnen lernschritten im kursbuch eindeutig zugeordnet jeder lektion ist eine Übersicht über die redemittel pdf datei 39 kb wortschatz und die grammatik pdf datei 47 kb vorangestellt die in der betreffenden lektion gelernt werden

*themen aktuell 1 kursbuch arbeitsbuch lektion 1 5* - Jul 18 2022

bibliographic information title *themen aktuell 1 kursbuch arbeitsbuch lektion 1 5* contributors hartmut aufderstraße heiko bock karl heinz eisfeld mechthild gerdes hanni holthaus jutta müller helmut müller uthild schütze nöhmke publisher hueber 2003 isbn 3191816909 9783191816902

**themen aktuell hueber** - May 16 2022

hueber it 13 *themen aktuell lehrwerk für deutsch als fremdsprache hartmut aufderstraße mechthild gerdes jutta müller helmut müller* *themen aktuell 1 kursbuch con e quaderno degli esercizi pp 160 248 987 3 19 231690 x 33 50 kursbuch con pp 160 978 3 19 001690 7 18 20*

themen aktuell 1 kursbuch google books - Dec 23 2022

hueber verlag 2003 juvenile nonfiction 160 pages neu bei allen ausgaben enthält das kursbuch *themen aktuell 1* jetzt gratis die cd rom 3 19 541690 5 zum multimedialen Üben *themen*

*hueber e themen aktuell 1 lhb teil a pdf shop* - Sep 19 2022

*themen aktuell 1 lehrerhandbuch teil a als pdf download deutsch als fremdsprache hartmut aufderstraße heiko bock mechthild gerdes*

**hueber shop katalog e themen aktuell 1 gl dt ital pdf** - Feb 10 2022

das glossar enthält den gesamten wortschatz sowie wendungen zum kursbuch *e themen aktuell 1 gl dt ital pdf*

**hueber themen aktuell 1 kb ab 1 1 5 cd rom shop** - May 28 2023

neu bei allen ausgaben enthält das kursbuch *themen aktuell 1* jetzt gratis die cd rom zum multimedialen Üben die sechsbändige ausgabe beinhaltet pro band je 5 lektionen kursbuch und arbeitsbuch sowie eine audio cd mit hörtexten

*themen aktuell kursbuch arbeitsbuch niveaustufe a1 1* - Nov 21 2022

bibliographic information title *themen aktuell kursbuch arbeitsbuch niveaustufe a1 1* authors h bock m gerdes contributor hartmut aufderstrasse publisher hueber verlag 2003

**microfit 5 5 faculty of economics university of cambridge** - Jun 16 2023

web microfit 5 5 copyright bahram pesaran and m hashem pesaran 2017 about the software microfit 5 5 is an interactive menu driven program with a host of facilities for estimation hypothesis testing forecasting data processing file

[microfit 5 5 faculty of economics university of cambridge](#) - Aug 06 2022

web dr bahram pesaran is currently a research consultant at wadhvani asset management he has also worked as a research analyst at tudor investment corporation the bank of england the national institute of economics and social research and the confederation of british industry

[m hashem pesaran books faculty of economics](#) - May 15 2023

web with b pesaran working with microfit 4 0 interactive econometric analysis dos and windows versions oxford university press 1997 pp 511 isbn 019 268 530 9 dos 019 268 531 7 windows with peter schmidt eds handbook of applied econometrics microeconomics basil blackwell 1997 pp 453 isbn 1 55786 209 5

[pesaran m h and pesaran b 1997 working with microfit](#) - Jul 05 2022

web pesaran m h and pesaran b 1997 working with microfit 4 0 interactive econometric analysis oxford oxford university press

[werksan](#) - Mar 01 2022

web aĖirlik kaldirma ekĖipmanlari platformlar arabalar bar standĖ weightlifting shoes werksan cross

**working with microfit 4 0 pesaran m h pesaran b** - Feb 12 2023

web aug 28 1997 the accompanying manual working with microfit 4 contains detailed reviews of the underlying econometric and computing methods 76 tutorial lessons using more than 25 different data sets and original time series data used by cobb douglas a w phillips and almon

[working with microfit 4 0 interactive econometric analysis](#) - Jul 17 2023

web jan 31 1997 working with microfit 4 0 interactive econometric analysis authors hashem pesaran bahram pesaran edition illustrated publisher oxford university press 1997 isbn 0192683527

[working with microfit 4 by m hashem pesaran open library](#) - Apr 14 2023

web aug 28 1997 created by an anonymous user imported from amazon com record working with microfit 4 0 by m hashem pesaran bahram pesaran august 28 1997

[working with microfit 4 0 interactive econometric analysis](#) - Sep 19 2023

web semantic scholar extracted view of working with microfit 4 0 interactive econometric analysis by m pesaran et al

[working with microfit 4 0 interactive econometric analysis](#) - Aug 18 2023

web working with microfit 4 0 interactive econometric analysis by pesaran m hashem 1946 publication date 1997 topics microfit computer file microfit computer programs ibm personal computer programming publisher oxford

[working with microfit 4 0 interactive econometric analysis](#) - Nov 09 2022

web working with microfit 4 0 interactive econometric analysis working with microfit 4 0 m hashem pesaran bahram pesaran

oxford university press 1997 econometrics 505 pages for

**working with microfit 4 0 interactive econometric analysis** - Oct 08 2022

web working with microfit 4 0 interactive econometric analysis m hashem pesaran and bahram pesaran

[parsan makina parçaları sanayi a Ş](#) - Apr 02 2022

web parsan is located in two plants pendik istanbul 120 000 m<sup>2</sup> total 28 000 m<sup>2</sup> closed area and dilovasi kocaali 300 000 m<sup>2</sup> total 66 000 m<sup>2</sup> closed area producing components since its foundation in 1968 parsan is an integrated steel forging and machining plant producing forging parts between 1 kg 400 kg in various length and shape

*pesaran working microfit secure4 khronos* - May 03 2022

web jun 9 2023 tutorial pesaran working microfit ultimately you will definitively find a additional expertise and undertaking by expending additional money you could swiftly download this pesaran working microfit after securing special working with microfit 4 m hashem pesaran 9780192685315 working with microfit 4 microfit 4

**pesaran m h and b pesaran 1997 working with microfit** - Jun 04 2022

web pesaran m h and b pesaran 1997 working with microfit 4 0 interactive econometric analysis oxford oxford university press has been cited by the following article article estimation of import demand function using ardl method evidence from nepal kamal raj dhungel 1 1 tribhuvan university nepal

**m h pesaran and b pesaran working with microfit 4 0** - Sep 07 2022

web m h pesaran and b pesaran working with microfit 4 0 interactive econometric analysis oxford university press oxford 1997 has been cited by the following article title causalities between price pond area and employment in aquaculture production authors nik hashim nik mustapha azlina abd aziz nik mohd hazrul hashim

*working with microfit 4 0 by m hashem pesaran goodreads* - Jan 11 2023

web aug 28 1997 5 00 1 rating0 reviews for the econometric analysis of time series data microfit is an unrivalled package it is an interactive menu driven program with a host of facilities for estimating and testing equations forecasting data processing file management and graphic display

**pursan pigment Ürünleri sanayi ticaret a Ş** - Jan 31 2022

web pürsan pigment Ürünleri Şirketimiz tekstil sanayinin en önemli hammadde tedarikçilerinden birisi konumundadır 60 yıl önce boya ithalatı ile başlayan iş hayatımız zaman içinde transformasyon geçirerek her türlü iplik ve kumaş boyalarını kimyasallarını ve özel aprelerini akrilik iplik hammaddelerini ve elastan

*using microfit 5 gbv* - Mar 13 2023

web using microfit 5 0 bahram pesaran and m hashem pesaran c 259836 oxford university press contents i introduction to microfit 1 1 introduction 3 1 1 what is microfit 3 1 2 new features of microfit 5 0 3 1 2 1 new functions and commands 5 1 2 2



single equation estimation techniques 5

**working with microfit 4 0 pesaran m h pesaran b** - Dec 10 2022

web the accompanying manual working with microfit 4 contains detailed reviews of the underlying econometric and computing methods 76 tutorial lessons using more than 25 different data sets and original time series data used