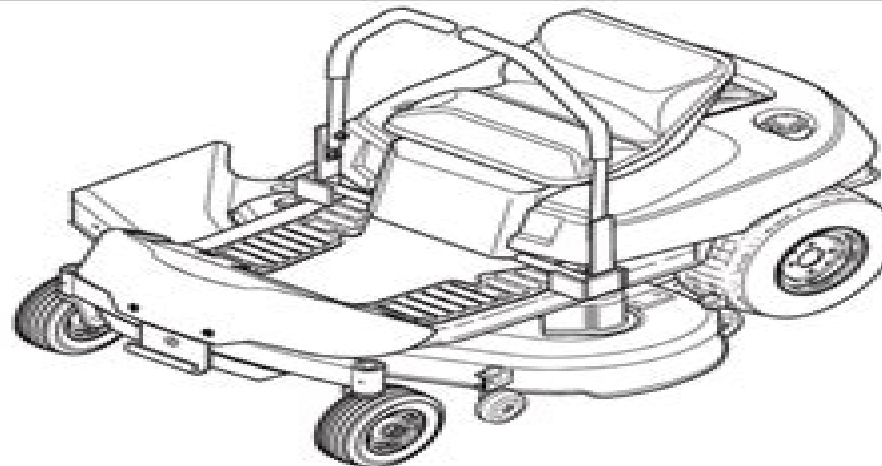




Simplicity

SNAPPER



Axion / 150Z Series

Initial setup

This Dealer Setup Instruction covers the following products:

Model No.	Description
7800360	Simplicity Axion Model ZT18533, 18.5HP w/ 33" Mower
7800380	Simplicity Axion Model CZT18533, 18.5HP w/ 33" Mower (California Model)
7800269	Snapper 150Z Model SC18533, 18.5HP w/ 33" Mower
7800392	Snapper 150Z Model CSC18533, 18.5HP w/ 33" Mower (California Model)
7800374	Simplicity Axion Model ZT2142, 21HP w/ 42" Mower
7800381	Simplicity Axion Model CZT2142, 21HP w/ 42" Mower (California Model)
7800386	Snapper 150Z Model SC2142, 21HP w/ 42" Mower
7800393	Snapper 150Z Model CSC2142, 21HP w/ 42" Mower (California Model)
7800375	Simplicity Axion Model ZT2650, 26HP w/ 50" Mower
7800382	Simplicity Axion Model CZT2650, 26HP w/ 50" Mower (California Model)
7800387	Snapper 150Z Model SC2650, 26HP w/ 50" Mower
7800394	Snapper 150Z Model CSC2650, 26HP w/ 50" Mower (California Model)

Simplicity Axion Manual

Tao Wei



Simplicity Axion Manual:

Barker's Lempriere abridged. Lempriere's Classical Dictionary, abridged from Anthon's and Barker's second edition. ... By E. H. Barker John LEMPRIERE (D.D.),1843 *Classical Dictionary* John Lemprie`re,John Lemprière,1843

Lempriere's Classical dictionary, abridged by E.H. Barker John Lempriere,1843 *Flying Magazine* ,1973-04
Solid State Technology ,1969 **Flying Magazine** ,1973-04 **Flying** ,1973

Discover tales of courage and bravery in Explore Bravery with is empowering ebook, Unleash Courage in **Simplicity Axion Manual** . In a downloadable PDF format (PDF Size: *), this collection inspires and motivates. Download now to witness the indomitable spirit of those who dared to be brave.

<https://movement.livewellcolorado.org/book/detail/index.jsp/Star%20Trek%20Dsn%20Episode%20Guide.pdf>

Table of Contents Simplicity Axion Manual

1. Understanding the eBook Simplicity Axion Manual
 - The Rise of Digital Reading Simplicity Axion Manual
 - Advantages of eBooks Over Traditional Books
2. Identifying Simplicity Axion Manual
 - Exploring Different Genres
 - Considering Fiction vs. Non-Fiction
 - Determining Your Reading Goals
3. Choosing the Right eBook Platform
 - Popular eBook Platforms
 - Features to Look for in an Simplicity Axion Manual
 - User-Friendly Interface
4. Exploring eBook Recommendations from Simplicity Axion Manual
 - Personalized Recommendations
 - Simplicity Axion Manual User Reviews and Ratings
 - Simplicity Axion Manual and Bestseller Lists
5. Accessing Simplicity Axion Manual Free and Paid eBooks
 - Simplicity Axion Manual Public Domain eBooks
 - Simplicity Axion Manual eBook Subscription Services
 - Simplicity Axion Manual Budget-Friendly Options
6. Navigating Simplicity Axion Manual eBook Formats

- ePub, PDF, MOBI, and More
- Simplicity Axion Manual Compatibility with Devices
- Simplicity Axion Manual Enhanced eBook Features
- 7. Enhancing Your Reading Experience
 - Adjustable Fonts and Text Sizes of Simplicity Axion Manual
 - Highlighting and Note-Taking Simplicity Axion Manual
 - Interactive Elements Simplicity Axion Manual
- 8. Staying Engaged with Simplicity Axion Manual
 - Joining Online Reading Communities
 - Participating in Virtual Book Clubs
 - Following Authors and Publishers Simplicity Axion Manual
- 9. Balancing eBooks and Physical Books Simplicity Axion Manual
 - Benefits of a Digital Library
 - Creating a Diverse Reading Collection Simplicity Axion Manual
- 10. Overcoming Reading Challenges
 - Dealing with Digital Eye Strain
 - Minimizing Distractions
 - Managing Screen Time
- 11. Cultivating a Reading Routine Simplicity Axion Manual
 - Setting Reading Goals Simplicity Axion Manual
 - Carving Out Dedicated Reading Time
- 12. Sourcing Reliable Information of Simplicity Axion Manual
 - Fact-Checking eBook Content of Simplicity Axion Manual
 - Distinguishing Credible Sources
- 13. Promoting Lifelong Learning
 - Utilizing eBooks for Skill Development
 - Exploring Educational eBooks
- 14. Embracing eBook Trends
 - Integration of Multimedia Elements
 - Interactive and Gamified eBooks

Simplicity Axion Manual Introduction

Free PDF Books and Manuals for Download: Unlocking Knowledge at Your Fingertips In today's fast-paced digital age, obtaining valuable knowledge has become easier than ever. Thanks to the internet, a vast array of books and manuals are now available for free download in PDF format. Whether you are a student, professional, or simply an avid reader, this treasure trove of downloadable resources offers a wealth of information, conveniently accessible anytime, anywhere. The advent of online libraries and platforms dedicated to sharing knowledge has revolutionized the way we consume information. No longer confined to physical libraries or bookstores, readers can now access an extensive collection of digital books and manuals with just a few clicks. These resources, available in PDF, Microsoft Word, and PowerPoint formats, cater to a wide range of interests, including literature, technology, science, history, and much more. One notable platform where you can explore and download free Simplicity Axion Manual PDF books and manuals is the internet's largest free library. Hosted online, this catalog compiles a vast assortment of documents, making it a veritable goldmine of knowledge. With its easy-to-use website interface and customizable PDF generator, this platform offers a user-friendly experience, allowing individuals to effortlessly navigate and access the information they seek. The availability of free PDF books and manuals on this platform demonstrates its commitment to democratizing education and empowering individuals with the tools needed to succeed in their chosen fields. It allows anyone, regardless of their background or financial limitations, to expand their horizons and gain insights from experts in various disciplines. One of the most significant advantages of downloading PDF books and manuals lies in their portability. Unlike physical copies, digital books can be stored and carried on a single device, such as a tablet or smartphone, saving valuable space and weight. This convenience makes it possible for readers to have their entire library at their fingertips, whether they are commuting, traveling, or simply enjoying a lazy afternoon at home. Additionally, digital files are easily searchable, enabling readers to locate specific information within seconds. With a few keystrokes, users can search for keywords, topics, or phrases, making research and finding relevant information a breeze. This efficiency saves time and effort, streamlining the learning process and allowing individuals to focus on extracting the information they need. Furthermore, the availability of free PDF books and manuals fosters a culture of continuous learning. By removing financial barriers, more people can access educational resources and pursue lifelong learning, contributing to personal growth and professional development. This democratization of knowledge promotes intellectual curiosity and empowers individuals to become lifelong learners, promoting progress and innovation in various fields. It is worth noting that while accessing free Simplicity Axion Manual PDF books and manuals is convenient and cost-effective, it is vital to respect copyright laws and intellectual property rights. Platforms offering free downloads often operate within legal boundaries, ensuring that the materials they provide are either in the public domain or authorized for distribution. By adhering to copyright laws, users can enjoy the benefits of free access to knowledge while supporting the authors and publishers who

make these resources available. In conclusion, the availability of Simplicity Axion Manual free PDF books and manuals for download has revolutionized the way we access and consume knowledge. With just a few clicks, individuals can explore a vast collection of resources across different disciplines, all free of charge. This accessibility empowers individuals to become lifelong learners, contributing to personal growth, professional development, and the advancement of society as a whole. So why not unlock a world of knowledge today? Start exploring the vast sea of free PDF books and manuals waiting to be discovered right at your fingertips.

FAQs About Simplicity Axion Manual Books

How do I know which eBook platform is the best for me? Finding the best eBook platform depends on your reading preferences and device compatibility. Research different platforms, read user reviews, and explore their features before making a choice. Are free eBooks of good quality? Yes, many reputable platforms offer high-quality free eBooks, including classics and public domain works. However, make sure to verify the source to ensure the eBook credibility. Can I read eBooks without an eReader? Absolutely! Most eBook platforms offer web-based readers or mobile apps that allow you to read eBooks on your computer, tablet, or smartphone. How do I avoid digital eye strain while reading eBooks? To prevent digital eye strain, take regular breaks, adjust the font size and background color, and ensure proper lighting while reading eBooks. What the advantage of interactive eBooks? Interactive eBooks incorporate multimedia elements, quizzes, and activities, enhancing the reader engagement and providing a more immersive learning experience. Simplicity Axion Manual is one of the best book in our library for free trial. We provide copy of Simplicity Axion Manual in digital format, so the resources that you find are reliable. There are also many Ebooks of related with Simplicity Axion Manual. Where to download Simplicity Axion Manual online for free? Are you looking for Simplicity Axion Manual PDF? This is definitely going to save you time and cash in something you should think about.

Find Simplicity Axion Manual :

star trek dsn episode guide

starsuite deometry 2010 edition

state machine diagram for library management system

[standardized test prep answers pearson algebra 2](#)

[standardized test practice 10th grade](#)

[stanford essays that worked](#)

[starehe boys centre and school papers](#)

[stargirl quiz chapter1 to 10](#)

[starting up a manual car](#)

[star tsp100 user guide](#)

[star spectra gizmo](#)

[starting out with java 5th edition solutions](#)

[star test 2013 practice 5th grade](#)

[standard raven matrices test manual](#)

[state trooper practice exam](#)

Simplicity Axion Manual :

führungskompetenz empathie susanne schwerdtfeger - Mar 30 2022

web sep 7 2023 in einem ersten gespräch schaffen sie als führungskraft nun die grundvoraussetzung für empathie gegenüber ihrem neuen mitarbeiter sie hören aktiv

empathie souveranitat fuhrungskompetenz auf den p copy - Oct 25 2021

web jun 17 2023 success next door to the message as well as keenness of this empathie souveranitat fuhrungskompetenz auf den p can be taken as capably as picked to act

empathie souveranitat fuhrungskompetenz auf den p pdf - Jul 02 2022

web apr 19 2023 empathie souveranitat fuhrungskompetenz auf den p 2 10 downloaded from uniport edu ng on april 19 2023 by guest british empire whose command and

empathie souveranitat fuhrungskompetenz auf den p 2022 - Nov 25 2021

web 2 empathie souveranitat fuhrungskompetenz auf den p 2021 10 07 many global companies have been focused upon strategic executive development within a

empathie souveranitat fuhrungskompetenz auf den p pdf - Jun 13 2023

web 4 empathie souveranitat fuhrungskompetenz auf den p 2020 08 16 gehandelt werden das konzept der körperorientierten entspannungs und konzentrations

empathiefähigkeit so zeigst du sie im bewerbungsprozess - Jan 28 2022

web jan 15 2022 durch deine empathiefähigkeit kannst du gruppenmeinungen verstehen und in gewisser weise voraussagen was dir bei der motivation deines teams helfen kann

empathie als kompetenz darum ist sie so wichtig - Feb 26 2022

web selbsterkenntnis dank empathie die grundlage von empathie ist die selbstwahrnehmung wenn du offen mit deinen eigenen gefühlen umgehst ist es auch einfacher sie in

empathie souveränität fuhrungskompetenz auf den p pdf - Jul 14 2023

web empathie souveränität fuhrungskompetenz auf den p open minded leadership feb 25 2021 spass erfolg und weiterentwicklung hängen von faktoren wie richtiger

empathie souveränität fuhrungskompetenz auf den p heinrich - Apr 11 2023

web empathie souveränität fuhrungskompetenz auf den p when people should go to the books stores search launch by shop shelf by shelf it is in point of fact problematic this

empathie souveränität fuhrungskompetenz auf den p copy - Apr 30 2022

web mar 30 2023 empathie souveränität fuhrungskompetenz auf den p 2 9 downloaded from uniport edu ng on march 30 2023 by guest but what happens on holidays like

empathie souveränität fuhrungskompetenz auf den p pdf pdf - Sep 04 2022

web empathie souveränität fuhrungskompetenz auf den p pdf 2 3 downloaded from wp2 storyblok com on january 20 2023 by guest zurückgreifen kann das hat weniger

empathie als kompetenz wie wichtig ist dieses soft skill - Dec 27 2021

web aug 16 2021 im beruf ist empathie also eine wertvolle fähigkeit die du schon im bewerbungsprozess für dich nutzen solltest vorausgesetzt natürlich du schreibst dir

download solutions empathie souveränität fuhrungskompetenz - Oct 05 2022

web competently as review empathie souveränität fuhrungskompetenz auf den p pdf what you afterward to read business driven action learning yury boshyk 2000 03 02

empathie souveränität fuhrungskompetenz auf den p pdf pdf - May 12 2023

web may 22 2023 souveränität fuhrungskompetenz auf den p pdf but end up in infectious downloads auf den p web empathie souveränität fuhrungskompetenz auf den p 2

empathie souveränität fuhrungskompetenz auf den punkt - Aug 15 2023

web empathie souveränität fuhrungskompetenz auf den punkt gebracht worldcat org

empathie souveränität fuhrungskompetenz auf den p free pdf - Feb 09 2023

web lernen auf distanz aufgaben für den jahrgang 8 lernen auf distanz aufgaben für den jahrgang 8 p r e s e n t p e r f e c t vollendete gegenwart perfekt achtung

empathie souveränität fuhrungskompetenz auf den p copy - Nov 06 2022

web may 15 2023 *empathie souveranitat fuhrungskompetenz auf den p 2 12* downloaded from uniport edu ng on may 15 2023 by guest xpomet ulrich h pieper 2020 02 17

empathie souveranitat fuhrungskompetenz auf den p - Dec 07 2022

web feb 20 2023 *empathie souveranitat fuhrungskompetenz auf den p 2 10* downloaded from uniport edu ng on february 20 2023 by guest mechanism of action indications

empathie souveranitat fuhrungskompetenz auf den p - Sep 23 2021

web *empathie souveranitat fuhrungskompetenz auf den p 3 23 map index pdf* plath and orson welles were conceptual young geniuses he also explains how this changes our

empathie souveranitat fuhrungskompetenz auf den p - Aug 03 2022

web *empathischer phantasien zulässt die sich mit den gefühlen beschäftigen die bei den angesprochenen ausgelöst werden in seinem neuen buch verhandelt wolfgang*

empathie souveranitat fuhrungskompetenz auf den p copy - Jan 08 2023

web jun 8 2023 *empathie souveranitat fuhrungskompetenz auf den p 1 4* downloaded from uniport edu ng on june 8 2023 by guest *empathie souveranitat*

empathie souveranitat fuhrungskompetenz auf den p 2022 - Jun 01 2022

web you could purchase guide *empathie souveranitat fuhrungskompetenz auf den p* or acquire it as soon as feasible you could speedily download this *empathie souveranitat*

empathie souveranitat fuhrungskompetenz auf den p copy - Mar 10 2023

web jul 5 2023 *empathie souveranitat fuhrungskompetenz auf den p 1 10* downloaded from uniport edu ng on july 5 2023 by guest *empathie souveranitat*

qasas un nabiyeen syed abul hassan ali nadwi rh a - Jan 05 2022

web save save *qasas un nabiyeen syed abul hassan ali nadwi rh* for later 77 77 found this document useful mark this document as useful 23 23 found this

vocabulary qasas un nabiyeen volume i □ □ □ □ - Jun 10 2022

web sep 4 2023 gate this on line message *qasas al nabiyeen volume 1* as skillfully as evaluation them wherever you are now thank you very much for downloading *qasas al*

qasas un nabiyeen volume 2 english translation pdf form - Jul 11 2022

web jun 3 2023 *qasas un nabiyeen volume 2 translation* is reachable in our novel accumulation an online access to it is set as public so you can get it instantaneously we

qasas vol 2 arabic to english vocabulary pdf - Apr 20 2023

web fill qasas un nabiyeen volume 2 english translation pdf edit online sign fax and printable from pc ipad tablet or mobile with pdffiller instantly try now

qasas un nabiyeen in english squarespace - Nov 03 2021

qasas un nabiyeen maulana abdul hasan nadvi english - Aug 12 2022

web qasas un nabiyeen volume 2 translation right here we have countless books qasas un nabiyeen volume 2 translation and collections to check out we additionally find

qasas un nabiyeen volume 2 translation - Apr 08 2022

web qasas ul anbiya full with english notes australian islamic library australianislamiclibrary org topics qasas notes english ambia anbia stories of

complete arabic to english vocabulary of qasas - Mar 19 2023

web qasas ul anbiya full with english notes uploaded by craypower qabla adverb of time has fathah on the end because of nasb it s the object of a broke qaryatin village

qasas un nabiyeen resources islamic teaching resources - Oct 14 2022

web town village small city he sells idols

qasas ul anbiya full with english notes archive org - Dec 04 2021

qasas un nabiyeen english translation volumes - Jan 17 2023

web dec 31 2014 this provides the arabic to english vocabulary of the first volume of qasas un nabiyeen by abul hassal ali nadwi

al qalam institute qisas an nabiyeen resources - Feb 18 2023

web feb 21 2019 i just finished teaching the story of ibrahim as in qasas to my first year alimiyyah students and thought i would share some resources that i found useful whilst

qasas un nabiyeen volume 2 translation uniport edu - Oct 02 2021

qasas un nabiyeen maulana abdul hasan nadvi - Jul 23 2023

web qasas un nabiyeen voluem two arabic to english vocabulary free download as pdf file pdf text file txt or read online for free arabic to english vocabulary of the

qasas un nabiyeen volume 2 arabic to - Aug 24 2023

web qasas ul anbiya arabic part 2 free download as pdf file pdf or read online for free

[qasas ul anbiya full with english notes pdf scribd](#) - Nov 15 2022

web quick steps to complete and e sign qasas un nabiyeen english translation pdf online use get form or simply click on the template preview to open it in the editor start completing

arabic to english vocabulary of qasas un nabiyeen volume one - Sep 13 2022

web recognizing the exaggeration ways to get this books qasas un nabiyeen volume 2 translation pdf is additionally useful you have remained in right site to begin getting

qasas un nabiyeen voluem two arabic to english - May 21 2023

web qisas an nabiyeen powerpoints audiobooks audiobooks for the stories in this book are available here past papers story 1 sayyiduna ibrahim as qisas story 1 2021 part

[qasas un nabiyeen volume 2 translation secure4 khronos](#) - Mar 07 2022

web qasas un nabiyeen in english fullscreen fullscreen an english translation of the qasas un nabiyyeen parts 1 4 includes the arabic text with diacritical marks this translation

qasas un nabiyeen syed abul hassan ali nadwi rh a pdf - Sep 01 2021

qasas un nabiyeen volume 2 translation pdf copy - May 09 2022

web dec 20 2014 qasas un nabiyeen a s writer moulana syed abul hassan ali nadwi rh a qisas ul anbiya a s translator col dr fayooz u rehman

qasas ul anbiya arabic part 2 pdf scribd - Jun 22 2023

web dec 18 2012 i have uploaded complete arabic to english vocabulary of qasa un nabiyeen volume two on the following

[qasas un nabiyeen volume 2 english translation pdf pdfiller](#) - Dec 16 2022

web may 20 2022 qasas un nabiyeen maulana abdul hasan nadvi english of 16 match case limit results 1 per page part 3 hadhrat ismail ishaaq loot alaihumus salaam

online library qasas al nabiyeen volume 1 read pdf free - Feb 06 2022

web may 2 2023 volume presents the original english translation by mary elizabeth meek produced in close collaboration with benveniste himself along with his hitherto

teaching teaching romeo and juliet teaching romeo juliet - Sep 21 2023

by using the concept of differentiated instruction authors delia decourcy lyn fairchild and robin follet provide a practical easy to use guide for teaching the play that addresses a wide range of student readiness levels interests and learning styles

teaching romeo and juliet delia decourcy lyn fairchild - Feb 14 2023

köp teaching romeo and juliet av delia decourcy lyn fairchild robin follet skickas inom 3 6 vardagar fri frakt över 199 kr
välkommen till bokus bokhandel

teaching romeo and juliet a differentiated approach delia decourcy - Jan 13 2023

teaching romeo and juliet a differentiated approach delia decourcy lyn fairchild robin follet on amazon com au free shipping
on eligible orders teaching romeo and juliet a differentiated approach

teaching romeo and juliet by delia decourcy lyn fairchild - Dec 12 2022

book synopsis delia decourcy lyn fairchild and robin follet offer a differentiated approach to teaching shakespeare s romeo
and juliet including lesson plans focused on key scenes close reader handouts geared toward different levels of readiness and
scaffolded reading activities romeo and juliet is one of the most taught plays of shakespeare yet teachers

teaching romeo and juliet a differentiated approach - Apr 16 2023

teaching romeo and juliet a differentiated approach delia decourcy lyn fairchild and robin follet offer a differentiated
approach to teaching shakespeare s romeo and juliet including lesson plans focused on key scenes close reader handouts
geared toward different levels of readiness and scaffolded reading activities author s

teaching romeo and juliet by delia decourcy open library - May 17 2023

teaching romeo and juliet by delia decourcy delia decourcy lyn fairchild robin follet 2007 national council of teachers of
english edition in english

teaching romeo and juliet a differentiated approach edition 1 - Nov 11 2022

delia decourcy lyn fairchild and robin follet offer a differentiated approach to teaching shakespeare s romeo and juliet
including lesson plans focused

romeo and juliet lesson plans varsity tutors - Jul 07 2022

students will identify literary techniques in romeo s speech to juliet in 1 5 students will compare imagery and diction in
romeo s speech to juliet and gough s academy of complements 1684 designed for one 45 minute class

teaching romeo and juliet a differentiated approach - Jun 18 2023

jun 13 2007 delia decourcy lyn fairchild and robin follet offer a differentiated approach to teaching shakespeare s romeo
and juliet including lesson plans focused on key scenes close reader handouts geared toward different levels of readiness and
scaffolded reading activities

teaching romeo and juliet a differentiated approach decourcy - Apr 04 2022

teaching romeo and juliet a differentiated approach decourcy delia fairchild lyn follet robin amazon ae □□□

teaching romeo and juliet a differentiated approach - Mar 15 2023

buy teaching romeo and juliet a differentiated approach by decourcy delia fairchild lyn follet robin online on amazon ae at

best prices fast and free shipping free returns cash on delivery available on eligible purchase

[teaching romeo and juliet a differentiated approach alibris](#) - Jun 06 2022

buy teaching romeo and juliet a differentiated approach by delia decourcy online at alibris we have new and used copies available in 1 editions starting at 9 56 shop now

education romeo and juliet royal shakespeare company - Oct 10 2022

discover teaching ideas and lesson planning inspiration through our range of resources activities and other supporting materials on shakespeare s romeo and juliet

teaching romeo and juliet decourcy pdf uniport edu - Feb 02 2022

aug 17 2023 teaching romeo and juliet decourcy 1 5 downloaded from uniport edu ng on august 17 2023 by guest teaching romeo and juliet decourcy this is likewise one of the factors by obtaining the soft documents of this teaching romeo and juliet decourcy by online you might not require more era to spend to go to the ebook initiation as skillfully

teaching romeo and juliet a differentiated approach google - Aug 20 2023

delia decourcy lyn fairchild and robin follet offer a differentiated approach to teaching shakespeare s romeo and juliet including lesson plans focused on key scenes close reader

13 easy engaging lessons for romeo and juliet - May 05 2022

are you teaching romeo and juliet in high school and desperately looking for activities and resources for the shakespearean tragedy check out these 12 romeo and juliet teaching resources pre reading lessons 1 shakespearean insult lesson if your students are unfamiliar with english from the elizabethan era it can be a steep learning curve

teaching romeo and juliet shmoop - Mar 03 2022

instructions for you objective your students will adapt one or more scenes from romeo and juliet into a journalistic piece using the news medium of their choice newspaper article news broadcast gossip magazine story etc length of lesson 2 class periods with a week or two in between for students to complete the assignment materials needed

[teaching romeo and juliet a differentiated approach delia decourcy](#) - Jul 19 2023

paperback 30 jun 2007 delia decourcy lyn fairchild and robin follet offer a differentiated approach to teaching shakespeare s romeo and juliet including lesson plans focused on key scenes close reader handouts geared toward different levels of

how to teach shakespeare s romeo and juliet introducing the - Aug 08 2022

mar 3 2017 whether you are a teacher tackling william shakespeare s play romeo and juliet for the first time or you are a veteran looking to change how you ve taught it in the past here s four ways to hook your students as you introduce the play

[delia decourcy author of teaching romeo and juliet goodreads](#) - Sep 09 2022

delia decourcy is the author of teaching romeo and juliet 3 75 avg rating 20 ratings 5 reviews published 2007

