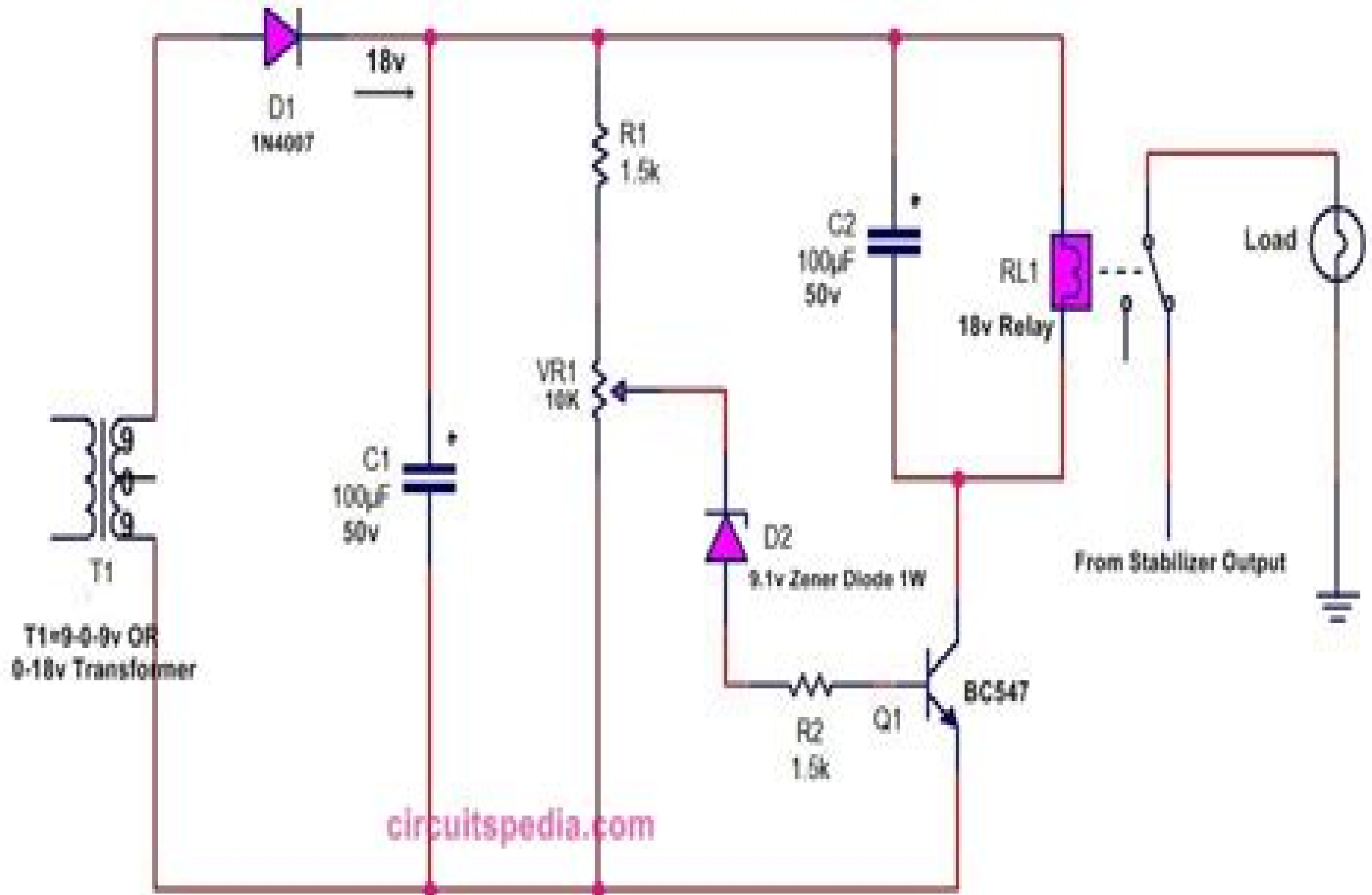


# Autocut Circuit For Stabilizer



# Simple Manual Stabilizer Circuit Diagram

**Mr. Rohit Manglik**



## **Simple Manual Stabilizer Circuit Diagram:**

Electrician - Power Distribution (Theory) - I Mr. Rohit Manglik,2024-05-24 Focuses on power distribution systems line diagrams transformers conductors and basics of electrical supply grids Electronics Projects Vol. 8 ,2009-11

**Roentgenographic Technique; a Manual for Physicians, Students and Technicians** Darmon Artelle Rhinehart,1954 **Aviation Electrician's Mate 1 & C.** United States. Bureau of Naval Personnel,1971 *Instrumentation and Test Gear Circuits Manual* R. M. Marston,2013-10-22 Instrumentation and Test Gear Circuits Manual provides diagrams graphs tables and discussions of several types of practical circuits The practical circuits covered in this book include attenuators bridges scope trace doublers timebases and digital frequency meters Chapter 1 discusses the basic instrumentation and test gear principles Chapter 2 deals with the design of passive attenuators and Chapter 3 with passive and active filter circuits The subsequent chapters tackle bridge circuits analogue and digital metering techniques and circuitry signal and waveform generation and power supply generation A variety of specialized items of test gear such as bargraph meters probes go no go testers capacitance and frequency meters transistor testers Q meters and oscilloscope accessories are also presented in this text This book will be most useful to industrial commercial electronics engineer and designer *Wireless Servicing Manual* W. T. Cocking,1950 **Technical Manual** United States. War Department,1942

**Electrician (Theory) - II** Mr. Rohit Manglik,2024-05-18 EduGorilla Publication is a trusted name in the education sector committed to empowering learners with high quality study materials and resources Specializing in competitive exams and academic support EduGorilla provides comprehensive and well structured content tailored to meet the needs of students across various streams and levels **Nuclear Science Abstracts** ,1974 **AF Manual** United States. Department of the Air Force,1953 **Electrician's Mate 1 & C.** ,1976 Bosch Fuel Injection and Engine Management C Probst,1989-11-27 This Bosch Bible fully explains the theory troubleshooting and service of all Bosch systems from D Jetronic through the latest Motronics Includes high performance tuning secrets and information on the newest KE and LH Motronic systems not available from any other source **Noise-Aware Quantum Circuit Simulation with Decision Diagrams** Thomas Grurl,Jürgen Fuß,Robert Wille,2024-11-29 This book provides an easy to read introduction to quantum computing as well the classical simulation of quantum circuits with common types of error effects The authors showcase the enormous potential that can be unleashed when doing these simulations using decision diagrams a data structure common in the design automation community often used in quantum computing design tasks The algorithms and methods described can outperform previously proposed solutions in some cases providing a complementary solution to established approaches Finally the necessity of noise aware classical quantum circuit simulation is demonstrated through a practical use case the evaluation of quantum error correcting codes ELECTRONIC ENGINEERING: JANUARY 1966; VOL. 38; No. 455 ,1966

**Experiments for Instrumental Methods** Charles N. Reilley,Donald T. Sawyer,1961 **Basic Television and**

**Television-receiver Servicing** Paul B. Zbar, Sidney Schildkraut, 1958      **Aviation Structural Mechanic S 3 & 2** United States. Bureau of Naval Personnel, 1974      Modern Marine Electricity and Electronics Percy de Willard Smith, 1966  
*Petroleum Refinery Manual* Henry Martyn Noel, 1959      Electrician's Mate 1 & C United States. Bureau of Naval Personnel, 1968

## Unveiling the Power of Verbal Artistry: An Emotional Sojourn through **Simple Manual Stabilizer Circuit Diagram**

In some sort of inundated with displays and the cacophony of instant transmission, the profound power and mental resonance of verbal art often disappear in to obscurity, eclipsed by the continuous onslaught of noise and distractions. However, situated within the lyrical pages of **Simple Manual Stabilizer Circuit Diagram**, a fascinating function of fictional brilliance that pulses with organic thoughts, lies an wonderful trip waiting to be embarked upon. Published by way of a virtuoso wordsmith, that interesting opus manuals viewers on an emotional odyssey, delicately revealing the latent potential and profound influence embedded within the elaborate internet of language. Within the heart-wrenching expanse with this evocative analysis, we will embark upon an introspective exploration of the book is central styles, dissect their fascinating publishing model, and immerse ourselves in the indelible effect it leaves upon the depths of readers souls.

[https://movement.livewellcolorado.org/files/detail/fetch.php/the\\_truth\\_about\\_guardian\\_angels\\_english\\_edition.pdf](https://movement.livewellcolorado.org/files/detail/fetch.php/the_truth_about_guardian_angels_english_edition.pdf)

### **Table of Contents Simple Manual Stabilizer Circuit Diagram**

1. Understanding the eBook Simple Manual Stabilizer Circuit Diagram
  - The Rise of Digital Reading Simple Manual Stabilizer Circuit Diagram
  - Advantages of eBooks Over Traditional Books
2. Identifying Simple Manual Stabilizer Circuit Diagram
  - Exploring Different Genres
  - Considering Fiction vs. Non-Fiction
  - Determining Your Reading Goals
3. Choosing the Right eBook Platform
  - Popular eBook Platforms
  - Features to Look for in an Simple Manual Stabilizer Circuit Diagram
  - User-Friendly Interface
4. Exploring eBook Recommendations from Simple Manual Stabilizer Circuit Diagram
  - Personalized Recommendations

- Simple Manual Stabilizer Circuit Diagram User Reviews and Ratings
- Simple Manual Stabilizer Circuit Diagram and Bestseller Lists
- 5. Accessing Simple Manual Stabilizer Circuit Diagram Free and Paid eBooks
  - Simple Manual Stabilizer Circuit Diagram Public Domain eBooks
  - Simple Manual Stabilizer Circuit Diagram eBook Subscription Services
  - Simple Manual Stabilizer Circuit Diagram Budget-Friendly Options
- 6. Navigating Simple Manual Stabilizer Circuit Diagram eBook Formats
  - ePub, PDF, MOBI, and More
  - Simple Manual Stabilizer Circuit Diagram Compatibility with Devices
  - Simple Manual Stabilizer Circuit Diagram Enhanced eBook Features
- 7. Enhancing Your Reading Experience
  - Adjustable Fonts and Text Sizes of Simple Manual Stabilizer Circuit Diagram
  - Highlighting and Note-Taking Simple Manual Stabilizer Circuit Diagram
  - Interactive Elements Simple Manual Stabilizer Circuit Diagram
- 8. Staying Engaged with Simple Manual Stabilizer Circuit Diagram
  - Joining Online Reading Communities
  - Participating in Virtual Book Clubs
  - Following Authors and Publishers Simple Manual Stabilizer Circuit Diagram
- 9. Balancing eBooks and Physical Books Simple Manual Stabilizer Circuit Diagram
  - Benefits of a Digital Library
  - Creating a Diverse Reading Collection Simple Manual Stabilizer Circuit Diagram
- 10. Overcoming Reading Challenges
  - Dealing with Digital Eye Strain
  - Minimizing Distractions
  - Managing Screen Time
- 11. Cultivating a Reading Routine Simple Manual Stabilizer Circuit Diagram
  - Setting Reading Goals Simple Manual Stabilizer Circuit Diagram
  - Carving Out Dedicated Reading Time
- 12. Sourcing Reliable Information of Simple Manual Stabilizer Circuit Diagram
  - Fact-Checking eBook Content of Simple Manual Stabilizer Circuit Diagram

- Distinguishing Credible Sources
- 13. Promoting Lifelong Learning
  - Utilizing eBooks for Skill Development
  - Exploring Educational eBooks
- 14. Embracing eBook Trends
  - Integration of Multimedia Elements
  - Interactive and Gamified eBooks

### Simple Manual Stabilizer Circuit Diagram Introduction

In this digital age, the convenience of accessing information at our fingertips has become a necessity. Whether its research papers, eBooks, or user manuals, PDF files have become the preferred format for sharing and reading documents. However, the cost associated with purchasing PDF files can sometimes be a barrier for many individuals and organizations. Thankfully, there are numerous websites and platforms that allow users to download free PDF files legally. In this article, we will explore some of the best platforms to download free PDFs. One of the most popular platforms to download free PDF files is Project Gutenberg. This online library offers over 60,000 free eBooks that are in the public domain. From classic literature to historical documents, Project Gutenberg provides a wide range of PDF files that can be downloaded and enjoyed on various devices. The website is user-friendly and allows users to search for specific titles or browse through different categories. Another reliable platform for downloading Simple Manual Stabilizer Circuit Diagram free PDF files is Open Library. With its vast collection of over 1 million eBooks, Open Library has something for every reader. The website offers a seamless experience by providing options to borrow or download PDF files. Users simply need to create a free account to access this treasure trove of knowledge. Open Library also allows users to contribute by uploading and sharing their own PDF files, making it a collaborative platform for book enthusiasts. For those interested in academic resources, there are websites dedicated to providing free PDFs of research papers and scientific articles. One such website is Academia.edu, which allows researchers and scholars to share their work with a global audience. Users can download PDF files of research papers, theses, and dissertations covering a wide range of subjects. Academia.edu also provides a platform for discussions and networking within the academic community. When it comes to downloading Simple Manual Stabilizer Circuit Diagram free PDF files of magazines, brochures, and catalogs, Issuu is a popular choice. This digital publishing platform hosts a vast collection of publications from around the world. Users can search for specific titles or explore various categories and genres. Issuu offers a seamless reading experience with its user-friendly interface and allows users to download PDF files for offline reading. Apart from dedicated platforms, search engines also play a crucial role in finding free PDF files. Google, for

instance, has an advanced search feature that allows users to filter results by file type. By specifying the file type as "PDF," users can find websites that offer free PDF downloads on a specific topic. While downloading Simple Manual Stabilizer Circuit Diagram free PDF files is convenient, it's important to note that copyright laws must be respected. Always ensure that the PDF files you download are legally available for free. Many authors and publishers voluntarily provide free PDF versions of their work, but it's essential to be cautious and verify the authenticity of the source before downloading Simple Manual Stabilizer Circuit Diagram. In conclusion, the internet offers numerous platforms and websites that allow users to download free PDF files legally. Whether it's classic literature, research papers, or magazines, there is something for everyone. The platforms mentioned in this article, such as Project Gutenberg, Open Library, Academia.edu, and Issuu, provide access to a vast collection of PDF files. However, users should always be cautious and verify the legality of the source before downloading Simple Manual Stabilizer Circuit Diagram any PDF files. With these platforms, the world of PDF downloads is just a click away.

### **FAQs About Simple Manual Stabilizer Circuit Diagram Books**

How do I know which eBook platform is the best for me? Finding the best eBook platform depends on your reading preferences and device compatibility. Research different platforms, read user reviews, and explore their features before making a choice. Are free eBooks of good quality? Yes, many reputable platforms offer high-quality free eBooks, including classics and public domain works. However, make sure to verify the source to ensure the eBook credibility. Can I read eBooks without an eReader? Absolutely! Most eBook platforms offer web-based readers or mobile apps that allow you to read eBooks on your computer, tablet, or smartphone. How do I avoid digital eye strain while reading eBooks? To prevent digital eye strain, take regular breaks, adjust the font size and background color, and ensure proper lighting while reading eBooks. What the advantage of interactive eBooks? Interactive eBooks incorporate multimedia elements, quizzes, and activities, enhancing the reader engagement and providing a more immersive learning experience. Simple Manual Stabilizer Circuit Diagram is one of the best book in our library for free trial. We provide copy of Simple Manual Stabilizer Circuit Diagram in digital format, so the resources that you find are reliable. There are also many Ebooks of related with Simple Manual Stabilizer Circuit Diagram. Where to download Simple Manual Stabilizer Circuit Diagram online for free? Are you looking for Simple Manual Stabilizer Circuit Diagram PDF? This is definitely going to save you time and cash in something you should think about.



**Find Simple Manual Stabilizer Circuit Diagram :**

[the truth about guardian angels english edition](#)

[the test of the magi a novel](#)

[the truth about the harry quebert affair english edition](#)

[the wicked naga monstrous tales book 5](#)

**the turning season a shifting circle novel book 3**

[the willow the roscoe chronicles book english edition](#)

[the tools of geography teachers curriculum institute answers](#)

**the third watch episode guide**

[the token 5 volume 5](#)

[the tunnel betwixt](#)

**the trembling of the veil**

[the tragedy of macbeth act 1 answers holt](#)

[the unexpected mate reluctant gay werewolf erotica english edition](#)

[the well of ascension book two of mistborn](#)

**the ugly stepsisters volume 6**

**Simple Manual Stabilizer Circuit Diagram :**

*free 2d animation software for beginners - Apr 05 2022*

minutes with the best 2d animation software create your first 2d animation video in mins with animaker s 2d animation

maker loads of free templates character animations props and music to choose from

*free animation maker create animated videos adobe express - Sep 22 2023*

quickly and easily animate a character using just audio with the free animation maker from adobe express add audio choose a character and watch your animation come to life download your animated video to share across all your channels

**animated movies and tv shows netflix official site - Nov 12 2022**

the spooky tale of captain underpants hack a ween shaun the sheep adventures from mossy bottom the epic tales of captain underpants a tale dark grimm my dad the bounty hunter bread barbershop the boss baby christmas bonus daniel spellbound mighty little bheem

*online animation maker make animation for free renderforest - Aug 21 2023*

renderforest is a free online animation maker create animated videos in a few steps try our stunning templates to make your own animation today

**what is animation definition history and types of animation** - Oct 11 2022

may 7 2023 animation definition what is animation animation is a method of photographing successive drawings models or even puppets to create an illusion of movement in a sequence because our eyes can only retain an image for approximately 1/10 of a second when multiple images appear in fast succession the brain blends them into a single

**imdb** - Aug 09 2022

imdb

**free animated video maker create animated videos canva** - Jun 19 2023

easily download or share bring your video to life with stunning animations without complicated software with canva s free animated video maker you can animate an element a whole page or create your own unique animated video all within one easy to use editor

**video maker make videos and animations online powtoon** - Mar 04 2022

no matter your skill level or the task at hand creating visual communications with powtoon amplifies your results tell compelling stories through hundreds of animated characters templates video backgrounds soundtracks and more with powtoon making your own videos requires no design or tech skills to start making a deeper impact at work

**animaker make animated videos on cloud for free** - Jul 20 2023

a platform for beginners non designers professionals to create animation and live action videos for every moment of our life create your first video animaker was voted as the no 4 best design product of the world animaker s helped over 18m people create awesome videos by

türk animasyon sinema filmleri listesi vikipedi - Apr 17 2023

outline animation studios bilgisayar destekli 3d kaptan pengu ve arkadaşları 2 siyah martı bilgisayar destekli 3d doru macera ormanı anibera bilgisayar destekli 3d mutlu oyuncak dükkanı outline animation studios bilgisayar destekli 3d Öksüz kız elif sanat bilgisayar destekli 2d karagöz yâr bana bir eğlence yedirenk film

*animated video maker online renderforest* - Jul 08 2022

make impressive animated videos online create compelling animations right in your browser find a variety of customizable templates all in one place promo videos typography animations industry specific toolkits independent movie trailers

**animation wikipedia** - Feb 15 2023

animation is the method that encompasses myriad filmmaking techniques by which still images are manipulated to create moving images in traditional animation images are drawn or painted by hand on transparent celluloid sheets cels to be

photographed and exhibited on film

**2d animation software flash animation adobe animate** - Sep 10 2022

create flash animation films gifs and cartoons with adobe animate buy the 2d animation software that has tools for puppet design and tweening a new age for animation

animation software animation tools and apps adobe - Jan 14 2023

animate characters in real time with adobe character animator use adobe animate to create vector animations create composites motion graphics and visual effects with adobe after effects and move seamlessly between them and other

**animation history movies television facts britannica** - May 06 2022

oct 13 2023 animation the art of making inanimate objects appear to move animation is an artistic impulse that long predates the movies history s first recorded animator is pygmalion of greek and roman mythology a sculptor who created a figure of a woman so perfect that he fell in love with her and begged venus to bring her to life

*animation css cascading style sheets mdn mdn web* - Feb 03 2022

jul 7 2023 the animation shorthand css property applies an animation between styles it is a shorthand for animation name animation duration animation timing function animation delay animation iteration count animation direction animation fill mode animation play state and animation timeline

pixar animation studios - May 18 2023

pixar animation studios pixar is an american computer animation film studio based in emeryville california pixar is a subsidiary of the walt disney company

**the ultimate beginner s guide to animation adobe** - Dec 13 2022

animatics are rough sequences of images used to help animators and directors plan shots timings and scenes they re essentially an animated storyboard commonly used in anything from cartoons to commercials to make an animatic animators

top 50 animation movies and tv shows imdb - Mar 16 2023

a list of the best animation movies and tv shows as ranked by imdb users like you find something great to watch now

*flipanim create flipbook animations online* - Jun 07 2022

create flipbook animations online this site uses cookies and local storage for your better experience

*physical science grade 11 exam papers can be used to improve* - May 12 2023

web physical science grade 11 exam papers can be used to improve knowledge physical science grade 11 past year exam papers updated 2023 11 06 november 2023 p1 and memo s below 2023 lp march qp and memo advertisement lp east march qp and memo gauteng march qp and memo kzn march qp and memo amajuba test

**physical sciences p1 nov 2023 grade 11 verified qp studocu** - Oct 05 2022

web nov 1 2023 physical sciences p1 nov 2023 grade 11 verified qp marks 150 time 3 hours this question paper studocu skip to document add your university or school my library find your high school browse courses kzn physical science question paper 2023 the settlers high school physical sciences ps2020 students shared 34 documents

[physical sciences grade 11 november 2022 exam question papers](#) - Jul 02 2022

web oct 23 2023 find all term 4 physical sciences grade 11 november 2022 exam question papers and memos paper 1 paper 2 these past papers will be useful for your physical sciences revision studies as a grade 11 learner this is your last year of demonstrating that you are capable of achieving greatness

**exam papers and study material for grade 10 11 and 12** - Mar 10 2023

web question 1 various options are provided as possible answers to the following questions each question has only one correct answer choose the answer and write only the letter a d next to the question number 1 1 1 5 in the answer book for example 1 5 e a of 1 pc which is free to move is placed at a distance 1 2

*caps question paper physical science grade 11* - Nov 06 2022

web april 17th 2018 grade 11 caps physical science question papers free grade 11 questions and answers revision physical 1 waves and sound questions 2final 2014 grade 11 question paper 1 june 3final 2014 grade 11 paper 1

**grade 11 physics chemistry past papers memos 2017** - Feb 26 2022

web aug 2 2021 please see below grade 11 past papers memos the below question papers and their memorandum contain subject matter pertaining to mechanical energy kinetic energy organic chemistry doppler effect and many more if you strive to get the best results the development team recommends testing yourself with the question

[physical sciences grade 11 2020 november questions and](#) - Dec 07 2022

web oct 24 2023 download the physical sciences grade 11 2020 november questions and answers from past papers and memos pdf below dont miss physical sciences grade 11 2018 june questions and answers from past papers and memos pdf paper 1 phys p1 gr11 qp nov2020 eng d download phys p1 gr11 qp nov2020 afr d

**national senior certificate grade 11** - Jun 13 2023

web caps grade 11 question 1 multiple choice questions various options are provided as possible answers to the following questions choose the answer and write only the letter a d next to the question numbers 1 1 to 1 10 in the answer book e g 1 11 e each question has only one correct answer

**grade 11 november 2020 physical sciences p1 exemplar** - Oct 17 2023

web 2 this question paper consists of ten questions answer all the questions in the answer book 3 start each question on a new page 4 number the answers correctly according to the numbering system used in this question paper 5 leave one line between two sub questions for example between question 2 1 and question

**physical sciences grade 11 exam papers and memos 2023 pdf** - Jun 01 2022

web may 15 2023 physical sciences grade 11 exam papers and memos for 2023 can be downloaded below these papers and memos are essential for any grade 11 physical sciences student as they provide valuable practice for the upcoming exams

physical sciences 2018 physical sciences 2017 physical sciences 2016 physical

grade 11 november 2022 physical sciences - Sep 16 2023

web grade 11 november 2022 physical sciences physics p1 national senior certificate marks time 100 2 this question paper consists of 15 pages including 3 data sheets instructions and information write your full name and surname in the appropriate space on the answer book answer all the questions

grade 11 common examination papers national department of - Aug 15 2023

web sep 2 2019 parliamentary questions newsletter dg provincial engagements resources reports legislation acts physical sciences 2016 title modified date paper 2 english 4 12 2018 download paper 2 afrikaans grade 12 past exam papers ana exemplars matric results curriculum

**grade 11 caps physical science question paper** - Aug 03 2022

web grade 11 caps physical science question paper grade 11 caps physical science question paper ocr 21st century gcse 9 1 biology separate science b paper resolve a doi name webassign support for matrices gt support for matrices thutong doe gov za ted2018 the age of amazement april 10 14 2018 answerkey of upsc csat 2013

**physical sciences p1 nov 2023 grade 11 memo pdf course** - Apr 11 2023

web nov 1 2023 view physical sciences p1 nov 2023 grade 11 memo pdf from ph misc at francis howell central high school national senior certificate grade 11 physical sciences physics p1 november 2023 marking 2 positive marking from question 2 4 2 5 f y net f my f py f gy f m sin

*physical sciences grade 11 caps question papers* - Mar 30 2022

web grade 11 common examination papers physical sciences grade 11 caps physical sciences grades 10 12 6 curriculum and assessment policy statement caps time allocation 1 4 1 foundation phase a the instructional time in the foundation phase is as follows subject grade r hours grades 1 2 hours grade 3

**grade 11 physical sciences caps question paper download only** - Jan 08 2023

web grade 11 physical sciences caps question paper oxford successful physical sciences may 12 2022 physical science for gr 12 physical science for grade 12 theory exercises practical investigations caps nov 25 2020 physical sciences jun 01 2021 study master physical sciences grade 12 teacher s guide nov 18 2022

free grade 11 physical sciences caps question paper - Sep 04 2022

web grade 11 physical sciences caps question paper approach to physical sciences 11 dec 18 2021 study and master physical

sciences grade 11 caps learner s book apr 02 2023 study master physical sciences grade 11 has been especially developed by an experienced author team for the curriculum and assessment policy statement caps

*physical science grade 11 exam papers and memos pdf* - Jul 14 2023

web feb 26 2020 grade 11 exam preparations 2022 physical science grade 11 exam question papers control tests and notes 2023 february 26 2020 physical science grade 11 exam papers and memos pdf download for march june september and november exams years range from 2020 2019 2018 2017 2016 south africa

**physical science question paper grade11 june caps** - Feb 09 2023

web may 2nd 2018 a caps aligned study guide that simplifies the theory of grade 11 physical sciences and my physical science grade 11 mathematics papers amp answers caps april 18th 2018 read and download physical science question paper grade11 june caps free ebooks in pdf format allegiance to america allegory

**physical science grade 11 latest experiments and memos caps education** - Apr 30 2022

web mar 31 2021 hello grade 11 learners my courses has many study resources for you needed to pass your exams tests assessments research tasks and assignments under caps south african subjects curriculum feel free to explore all resources for grade 11 such as study guides past exam question papers with answers and essay speech

**differenzialdiagnose padiatrie mit zugang zur med vod** - May 13 2023

web 2 differenzialdiagnose padiatrie mit zugang zur med 2022 09 08 differenzialdiagnose padiatrie mit zugang zur med downloaded from vod transcode uat mediacp net by guest brycen eddie atlas of dermatology springer verlag sie haben das fach bereits einmal gelernt und wollen das wichtigste in letzter minute vor der prüfung wiederholen genau

**differenzialdiagnose pädiatrie mit zugang zur medizinwelt by** - Jan 29 2022

web pädiatrie mit zugang zur medizinwelt differenzialdiagnose innerer krankheiten von edouard fachbuch richter differenzialdiagnose pädiatrie online internistische therapie 2018 2019 mit zugang zur differenzialdiagnostik und differenzialtherapie in

*differenzialdiagnose padiatrie mit zugang zur med pdf* - Jul 15 2023

web differenzialdiagnose padiatrie mit zugang zur med intensivkurs pädiatrie jul 26 2023 vollständig implantierbare und perkutane kathetersysteme als permanenter zentralvenöser zugang in der pädiatrie aug 03 2021 pädiatrie und kinderchirurgie dec 19 2022

**differenzialdiagnose padiatrie mit zugang zur med copy** - Aug 04 2022

web differenzialdiagnose padiatrie mit zugang zur med 2 9 downloaded from uniport edu ng on august 11 2023 by guest fachbegriffe definitionen abkürzungen krankheitsbilder sowie pflegeplanungen stehen dem nutzer off und online zur verfügung atlas of dermatology thomas diepgen 2005 09 22 atlas of dermatology 2nd edition there are

**differenzialdiagnose pädiatrie mit zugang zur med copy** - Jul 03 2022

web jun 2 2023 just invest little become old to log on this on line pronouncement differenzialdiagnose pädiatrie mit zugang zur med as competently as evaluation them wherever you are now ultraschalldiagnostik in pädiatrie und kinderchirurgie karl heinz deeg 2018 04 11 das referenzwerk zum nachschlagen bei unklaren befunden zum

*differenzialdiagnose pädiatrie mit zugang zur med* - Apr 12 2023

web 2 differenzialdiagnose pädiatrie mit zugang zur med 2022 03 17 differenzialdiagnose pädiatrie mit zugang zur med downloaded from analytics budgetbakers com by guest hart maxwell klinikleitfaden pädiatrie springer verlag speer gahr das kinderheilkunde buch für junge pädiater alle

differenzialdiagnose pädiatrie mit zugang zur medizinwelt by - Jun 14 2023

web differenzialdiagnose pädiatrie mit zugang zum elsevier may 23rd 2020 differenzialdiagnose pädiatrie mit zugang zur medizinwelt dietrich michalk 5 0 von 5 sternen 1 gebundene ausgabe 147 00 differenzialdiagnose pädiatrie 9783437225321 elsevier gmbh june 1st 2020 differenzialdiagnose pädiatrie mit zugang zur

tıbbi parazitoloji anabilim dalı tıp fakültesi - Jun 02 2022

web dokuz eylül Üniversitesi tıp fakültesi 15 temmuz sağlık sanat yerleşkesi İnciraltı 35340 İzmir

**differenzialdiagnose pädiatrie mit zugang zur medizinwelt by** - Dec 28 2021

web 2019 mit zugang zur differenzialdiagnostik und differenzialtherapie in der klinikleitfaden neurologie mit zugang zur medizinwelt differentialdiagnostik und differentialtherapie in der heilpraktiker heilpraktikercenter de differenzialdiagnose pädiatrie 4th edition hoch2 test vergleich 3x sehr gut 2020 differenzialdiagnose

**differenzialdiagnose pädiatrie mit zugang zur med** - Feb 10 2023

web 6 differenzialdiagnose pädiatrie mit zugang zur med 2022 10 20 alle wichtigen praktischen aspekte ab mit konkreten leitlinienbasierten handlungs und therapieempfehlungen ob weiterbildungsassistent praktizierender pädiater oder allgemeinmediziner internist knapp 400 abbildungen algorithmen

*differenzialdiagnose pädiatrie mit zugang zur med copy* - Oct 06 2022

web apr 3 2023 sonografischer befunde mit präzise definierten kriterien mit umfangreichem kapitel zur herzdiagnostik instruktives zusatzmaterial im web mehr als 200 videosequenzen zum differenzialdiagnose pädiatrie mit zugang zur med 2 9

differenzialdiagnose pädiatrie mit zugang zur med uniport edu - Dec 08 2022

web differenzialdiagnose pädiatrie mit zugang zur med 2 9 downloaded from uniport edu ng on august 2 2023 by guest presentation imaging modalities typical imaging features differential diagnosis treatment options course and pitfalls clinical aspects and treatment clinical radiological correlation plus a concise

**differenzialdiagnose pädiatrie mit zugang zur med pdf thomas** - Jan 09 2023

web jul 3 2023 differenzialdiagnose padiatrie mit zugang zur med pdf if you ally craving such a referred differenzialdiagnose padiatrie mit zugang zur med pdf book that will come up with the money for you worth acquire the agreed best seller from us currently from several preferred authors if you desire to entertaining books lots of [differenzialdiagnose pädiatrie mit zugang zur medizinwelt by](#) - Aug 16 2023

web may 16 2023 2010 emeritiert prof dr med eckhard schönau ist ärztlicher leiter der kinderreha in köln sowie oberarzt und leiter der abt pädiatrische endokrinologie und stoffwechselstörungen an der secure4 khronos org 1 4

differenzialdiagnose pädiatrie mit zugang zur medizinwelt by dietrich michalk eckhard schönau mit zugang zur

**Дифференциалды диагностика курсының пәні мақсаты мен** - May 01 2022

web Дифференциалды диагностиканың негізгі мақсаты бұл нақты жағдайды дисонтогенездің белгілі бір нұсқасына және педагогикалық топқа жатқыза отырып дамудағы бұзушылықты саралау Елецкая О

[Çocuk sağlığı ve hastalıkları anabilim dalı tıp fakültesi deu](#) - Nov 07 2022

web anabilim dalı başkanı Çocuk sosyal pediatri bilim dalı başkanı Çocuk nörolojisi bilim dalı prof dr murat duman

[gyermekorvosi differenciáldiagnosztika gyermekgyógyászat](#) - Mar 31 2022

web a gyermekorvoslásnak is központi eleme a differenciáldiagnosztika segíti a gyermekgyógyászat oktatását a szakorvossá válást és a mindennapok orvosi gyakorlatában a helyes és sikeres gyermekorvosi munkát a gyermekorvosi

differenciáldiagnosztika ezt kívánja szolgálni az általános tünetek és válogatott

*differential diagnosis nedir türkçe ne demek tıp terimleri* - Feb 27 2022

web size kısaca bunun hakkında bilgi verelim differential diagnosis 12 308 kere görüntülendi differential diagnosis teriminin tıbbi anlamı benzer hastalık belirtilerini birbirinden ayırt ederek kesin teşhis koyma ayırıcı teşhis

[differenzialdiagnose padiatrie mit zugang zur med pdf](#) - Mar 11 2023

web aug 1 2023 merely said the differenzialdiagnose padiatrie mit zugang zur med is universally compatible with any devices to read kinder notfall intensiv franz josef kretz 2019 09 20 die pädiatrische notfall und intensivmedizin ist für jeden arzt eine besondere herausforderung denn sie setzt spezielle kenntnisse und fähigkeiten voraus das

[differenzialdiagnose padiatrie mit zugang zur med copy](#) - Sep 05 2022

web aug 15 2023 differenzialdiagnose padiatrie mit zugang zur med 2 7 downloaded from uniport edu ng on august 15 2023

by guest informiert sie ber alles wissenswerte und gibt ihnen fr jede altersgruppe konkrete handlungsanweisungen schritt fr schritt anleitungen fr den behandlungsaltag und therapeutischen manahmen bei lebensbedrohlichen