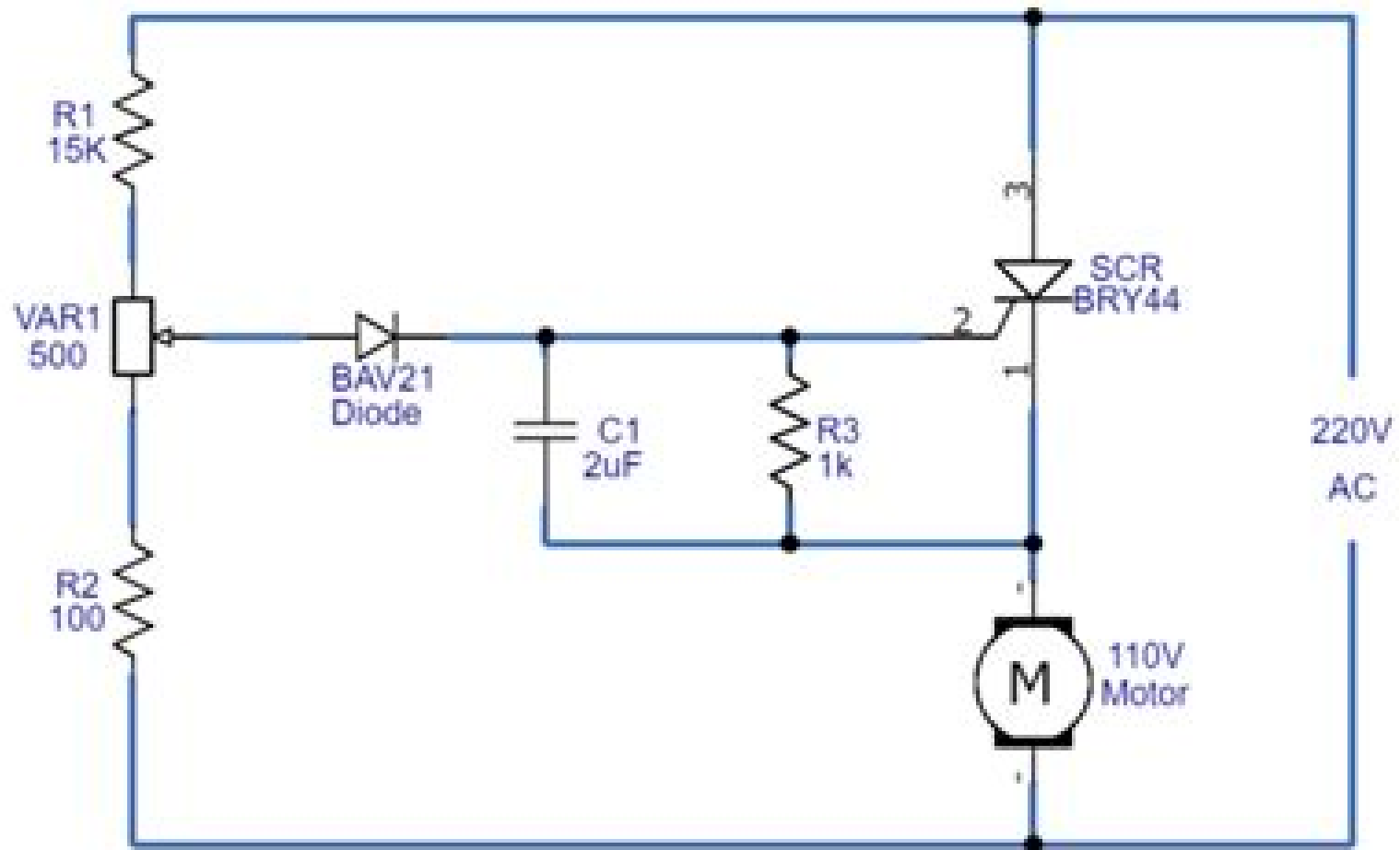


AC Power Motor Speed Control Circuit



For Complete Details Visit :
www.Circuits-DIY.com

Simple Ac Motor Speed Control Circuit Diagram

Siddappa N.Byrareddy



Simple Ac Motor Speed Control Circuit Diagram:

A Small Book on Electric Motors for Continuous and Alternating Currents William Perren Maycock,1918

DC/AC Electrical Fundamentals Dale R. Patrick,Stephen W. Fardo,Ray Richardson,Vigyan (Vigs) Chandra,2024-02-09

This book explores many essential topics in a basic and easy to understand manner This book and the accompanying Electronic Devices and Circuit Fundamentals have been modified with significant updates in content The books are developed using a classic textbook Electricity and Electronics A Survey 5th Edition as a framework Both new books have been structured using a similar sequence and organization as previous editions The previous edition of Electricity and Electronics A Survey contained 18 chapters 8 in the Electricity section and 10 in the Electronics section This book has been expanded to include 19 chapters further simplifying content and providing a more comprehensive coverage of the content The content has been continually updated and revised through new editions and by reviewers over the years Additional quality checks to ensure technical accuracy clarity and coverage of content have always been an area of focus Each edition of the text has been improved through the following features Improved and updated text content Improved usage of illustrations and photos Use of color to add emphasis and clarify content

FPGA-Based Embedded System Developer's Guide A. Arockia Bazil Raj,2018-04-09 The book covers various aspects of VHDL programming and FPGA interfacing with examples and sample codes giving an overview of VLSI technology digital circuits design with VHDL programming components functions and procedures and arithmetic designs followed by coverage of the core of external I O programming algorithmic state machine based system design and real world interfacing examples Focus on real world applications and peripherals interfacing for different applications like data acquisition control communication display computing instrumentation digital signal processing and top module design Aims to be a quick reference guide to design digital architecture in the FPGA and develop system with RTC data transmission protocols

Servo Motors and Industrial Control Theory Riazollah Firoozian,2008-12-04 Servo Motors and Industrial Control Theory presents the fundamentals of servo motors and control theory in a manner that is accessible to undergraduate students as well as practitioners who may need updated information on the subject Graphical methods for classical control theory have been replaced with examples using mathematical software such as MathCad and MatLab to solve real life engineering control problems State variable feedback control theory which is generally not introduced until the Masters level is introduced clearly and simply for students to approach complicated problems and examples

Fundamentals of Power Electronics Bhattacharya S.K.,2009-11-01 The Application Of Power Electronics Is Increasingly Being Seen In Residential Commercial Industrial Transportation Aerospace And Telecommunication Systems An Electrical Electronics Or Control Systems Engineer Needs To Understand The Basic Devices

Ac Motors for High Performance Applications Sakae Yamamura,1986-04-22 **Reeds Vol 10: Instrumentation and Control Systems** Gordon Boyd,Leslie Jackson,2013-10-11 This is a fully revised new edition on the topic of instrumentation

and control systems and their application to marine engineering for professional trainees studying Merchant Navy Marine Engineering Certificates of Competency CoC as well as Electrical Marine Engineering undergraduate students Providing generic technical and practical descriptions of the operation of instrumentation and control devices and systems this volume also contains mathematic analysis where appropriate Addressing this subject area the domain of Instrumentation Engineers Technicians as well as Control Engineers and covering established processes and protocols and extensive developing technology this textbook is written with the marine engineer in mind particularly those studying Engineering Knowledge The content ranges from simple measurement devices through signal conditioning and digitisation to highly sophisticated automated control and instrumentation systems It also includes a brand new section on electrical equipment in hazardous areas detailing hazards gas groups temperature classifications and types of protection including increased and intrinsic safety and encapsulation and up to date material on the new generation of Liquefied Natural Gas carriers SMART sensors and protocols as well as computer based systems

Electrical, Information Engineering and Mechatronics 2011 Shaobo Zhong, Fuzhong Wang, 2012-03-21 As future generation electrical information engineering and mechatronics become specialized and fragmented it is easy to lose sight of the fact that many topics in these areas have common threads and because of this advances in one discipline may be transmitted to others The 2011 International Conference on Electrical Information Engineering and Mechatronics EIEM 2011 is the first conference that attempts to follow the above idea of hybridization in electrical information engineering mechatronics and applications This Proceedings of the 2011 International Conference on Electrical Information Engineering and Mechatronics provides a forum for engineers and scientists to address the most innovative research and development including technical challenges and social legal political and economic issues and to present and discuss their ideas results works in progress and experience on all aspects of electrical information engineering mechatronics and applications Engineers and scientists in academia industry and government will find a insights into the solutions that combine ideas from multiple disciplines in order to achieve something more significant than the sum of the individual parts in all aspects of electrical information engineering mechatronics and applications

[A Text Book of Electrical Machines](#) Rajput, 2006-04

The Industrial Electronics Handbook J. David Irwin, 1997-05-09 From traditional topics that form the core of industrial electronics to new and emerging concepts and technologies The Industrial Electronics Handbook in a single volume has the field covered Nowhere else will you find so much information on so many major topics in the field For facts you need every day and for discussions on topics you have only dreamed of The Industrial Electronics Handbook is an ideal reference

Basic Concepts of Electrical Engineering Kuldeep Sahay, 2006 This Book Presents A Practical Oriented Sound Modularized Coverage Of Fundamental Topics Of Basic Electrical Engineering Network Analysis Network Theorems Electromagnetism Magnetic Circuit Alternating Current Voltages Electrical Measurement Measuring Instrument And Electric Machines Salient Features Clarification Of Basic Concepts Several Solved Examples With Detailed

Explanation At The End Of Chapters There Are Descriptive And Numerical Unsolved Problems Written In Very Simple Language And Suitable For Self Study Step By Step Procedures Given For Solving Numerical *Stage Technology* Bruno Grösel,2024-08-19 Whereas simple manual drives were often used in stage technology in the past today highly specialized know how is employed Therefore personnel must be trained accordingly This training ranges from courses for craftsmen to higher education at technical colleges and universities The book therefore appeals to the entire range of interested parties only one chapter requires basic technical knowledge Machine Design ,1980 **Intelligent Computing and Optimization** Pandian Vasant,Ivan Zelinka,Gerhard-Wilhelm Weber,2021-02-07 Third edition of International Conference on Intelligent Computing and Optimization and as a premium fruit this book pursue to gather research leaders experts and scientists on Intelligent Computing and Optimization to share knowledge experience and current research achievements Conference and book provide a unique opportunity for the global community to interact and share novel research results explorations and innovations among colleagues and friends This book is published by SPRINGER Advances in Intelligent Systems and Computing Ca 100 authors submitted full papers to ICO 2020 That global representation demonstrates the growing interest of the research community here The book covers innovative and creative research on sustainability smart cities meta heuristics optimization cyber security block chain big data analytics IoTs renewable energy artificial intelligence Industry 4 0 modeling and simulation We editors thank all authors and reviewers for their important service Best high quality papers have been selected by the International PC for our premium series with SPRINGER **Motion Control in Offshore and Dredging** P. Albers,2010-06-10 High loads with high dynamics in severe conditions can only be driven by fluid power mechanisms Motion Control is often used as a description in various engineering disciplines to refer to a technological solution that is able to control motion e g the movement of at least one part relative to another This volume describes how drives sometimes very large are designed and realised The book gives a practical explanation of the way in which the different mechanisms described work A distinction is made between rotating and linear drives In the case of rotating drives the choice for an electrical drive is becoming more and more prevalent Linear drives remain important because of the large forces and highly dynamic behaviour in the domain of hydraulic drive technology Both these important technologies are extensively discussed in this book together with design rules and the many installation requirements for applications in the offshore and dredging industry **Machine Tools Production Systems 3** Christian Brecher,Manfred Weck,2021-12-13 The first part of this third volume focuses on the design of mechatronic components in particular the feed drives of machine tools used to generate highly dynamic drive movements Engineering guides for the selection and design of important machine components the control technology of feed drives and the measuring systems required for position capture are presented Another focus is on process and diagnostic equipment for manufacturing machines and systems The second part describes control concepts including programming methods for various applications of modern production systems

Programmable logic controllers PLC numerical controllers NC and robot controllers RC are part of these presentations In the context of automated manufacturing systems the various levels of the automation pyramid and the importance of control systems are also outlined Finally the volume deals with the engineering of machines and plants The German Machine Tools and Production Systems Compendium has been completely revised The previous five volume series has been condensed into three volumes in the new ninth edition with colored technical illustrations throughout This first English edition is a translation of the German ninth edition

Popular Science ,1967-02 Popular Science gives our readers the information and tools to improve their technology and their world The core belief that Popular Science and our readers share The future is going to be better and science and technology are the driving forces that will help make it better

Electromechanical Energy Conversion With Dynamics Of Machines R.D. Begamudre,2007 Advances During The Past Two Decades In Use Of High Powered And Fast Acting Solid State Devices Has Advanced The State Of The Art Of Motor Control And Excitation Systems For Alternators These Require The Explanation Of Harmonic Torques In Motors As Well As The Stability Of Machines This Book Covers The Necessary Material At The Undergraduate Level And Could Serve As A Terminal Course In Electrical Machinery Syllabus The Book Commences With Magnetic Circuit Calculations For Devices And Machines Field Plotting Methods And Principles Of Electro Mechanical Energy Conversion For Which The Magnetic Fields Serve As Reservoirs Of Energy The Conversion Processes Are Based On The Application Of amperes Law Of Force And Faradays Law Of E M Induction Using D Alemberts Principle Of Virtual Work A Great Emphasis Is Placed On The Application Of Lagranges Equation Including Motional E M F And The Rayleigh Dissipation Function The Author Has Experienced That A Firm Grasp Of Lagranges Method Is Most Beneficial For Handling Complex E M C Problems Chapters 3 Through 10 Cover The Basic Principles Of Operation And Performance Of Transformers Dc Machines Induction Motors Synchronous Machines Leading To Discussion Of Dynamics Of Machines In The Steady State And Transient State The Chapter On Synchronous Machines Is Strengthened By Showing The Very Basic And Important Aspect Of Calculation Of Synchronous Machine Constants Which Is Considered Novel In Such A Book The Student Is Given The Idea That The Flux Distribution In The Machine Is Basic To Its Operation In All Its States Of Operation The Final Chapter Is An Introduction To Computer Aided Design Of Machines Which Is Gaining In Importance In Practice Every Chapter Has Many Worked Examples To Guide The Student Not Only In Problem Solving But To Illustrate Engineering Aspects Of This Very Important Topic Review Questions Problems For Self Testing And Objective Type Questions With All Answers Are Provided

A Textbook Of Electrical Machines D B Raval, This is a single volume book on electrical machines that teaches the subject precisely and yet with amazing clarity The extent has been kept in control so that the entire subject can be covered by students within the limited time of the semesters Thus they will not have to consult multiple books anymore The discussions of concepts include the modern trends used in industry like efficient transformers efficient induction motors DC drives and the problems related to them

General Electric Review

General Electric Company, 1914

When people should go to the books stores, search creation by shop, shelf by shelf, it is in reality problematic. This is why we give the ebook compilations in this website. It will very ease you to see guide **Simple Ac Motor Speed Control Circuit Diagram** as you such as.

By searching the title, publisher, or authors of guide you truly want, you can discover them rapidly. In the house, workplace, or perhaps in your method can be every best place within net connections. If you endeavor to download and install the Simple Ac Motor Speed Control Circuit Diagram, it is unconditionally easy then, before currently we extend the join to buy and create bargains to download and install Simple Ac Motor Speed Control Circuit Diagram correspondingly simple!

https://movement.livewellcolorado.org/data/browse/Documents/audi_a6_manual_synfoni.pdf

Table of Contents Simple Ac Motor Speed Control Circuit Diagram

1. Understanding the eBook Simple Ac Motor Speed Control Circuit Diagram
 - The Rise of Digital Reading Simple Ac Motor Speed Control Circuit Diagram
 - Advantages of eBooks Over Traditional Books
2. Identifying Simple Ac Motor Speed Control Circuit Diagram
 - Exploring Different Genres
 - Considering Fiction vs. Non-Fiction
 - Determining Your Reading Goals
3. Choosing the Right eBook Platform
 - Popular eBook Platforms
 - Features to Look for in a Simple Ac Motor Speed Control Circuit Diagram
 - User-Friendly Interface
4. Exploring eBook Recommendations from Simple Ac Motor Speed Control Circuit Diagram
 - Personalized Recommendations
 - Simple Ac Motor Speed Control Circuit Diagram User Reviews and Ratings
 - Simple Ac Motor Speed Control Circuit Diagram and Bestseller Lists

5. Accessing Simple Ac Motor Speed Control Circuit Diagram Free and Paid eBooks
 - Simple Ac Motor Speed Control Circuit Diagram Public Domain eBooks
 - Simple Ac Motor Speed Control Circuit Diagram eBook Subscription Services
 - Simple Ac Motor Speed Control Circuit Diagram Budget-Friendly Options
6. Navigating Simple Ac Motor Speed Control Circuit Diagram eBook Formats
 - ePub, PDF, MOBI, and More
 - Simple Ac Motor Speed Control Circuit Diagram Compatibility with Devices
 - Simple Ac Motor Speed Control Circuit Diagram Enhanced eBook Features
7. Enhancing Your Reading Experience
 - Adjustable Fonts and Text Sizes of Simple Ac Motor Speed Control Circuit Diagram
 - Highlighting and Note-Taking Simple Ac Motor Speed Control Circuit Diagram
 - Interactive Elements Simple Ac Motor Speed Control Circuit Diagram
8. Staying Engaged with Simple Ac Motor Speed Control Circuit Diagram
 - Joining Online Reading Communities
 - Participating in Virtual Book Clubs
 - Following Authors and Publishers Simple Ac Motor Speed Control Circuit Diagram
9. Balancing eBooks and Physical Books Simple Ac Motor Speed Control Circuit Diagram
 - Benefits of a Digital Library
 - Creating a Diverse Reading Collection Simple Ac Motor Speed Control Circuit Diagram
10. Overcoming Reading Challenges
 - Dealing with Digital Eye Strain
 - Minimizing Distractions
 - Managing Screen Time
11. Cultivating a Reading Routine Simple Ac Motor Speed Control Circuit Diagram
 - Setting Reading Goals Simple Ac Motor Speed Control Circuit Diagram
 - Carving Out Dedicated Reading Time
12. Sourcing Reliable Information of Simple Ac Motor Speed Control Circuit Diagram
 - Fact-Checking eBook Content of Simple Ac Motor Speed Control Circuit Diagram
 - Distinguishing Credible Sources
13. Promoting Lifelong Learning

- Utilizing eBooks for Skill Development
- Exploring Educational eBooks

14. Embracing eBook Trends

- Integration of Multimedia Elements
- Interactive and Gamified eBooks

Simple Ac Motor Speed Control Circuit Diagram Introduction

In today's digital age, the availability of Simple Ac Motor Speed Control Circuit Diagram books and manuals for download has revolutionized the way we access information. Gone are the days of physically flipping through pages and carrying heavy textbooks or manuals. With just a few clicks, we can now access a wealth of knowledge from the comfort of our own homes or on the go. This article will explore the advantages of Simple Ac Motor Speed Control Circuit Diagram books and manuals for download, along with some popular platforms that offer these resources. One of the significant advantages of Simple Ac Motor Speed Control Circuit Diagram books and manuals for download is the cost-saving aspect. Traditional books and manuals can be costly, especially if you need to purchase several of them for educational or professional purposes. By accessing Simple Ac Motor Speed Control Circuit Diagram versions, you eliminate the need to spend money on physical copies. This not only saves you money but also reduces the environmental impact associated with book production and transportation. Furthermore, Simple Ac Motor Speed Control Circuit Diagram books and manuals for download are incredibly convenient. With just a computer or smartphone and an internet connection, you can access a vast library of resources on any subject imaginable. Whether you're a student looking for textbooks, a professional seeking industry-specific manuals, or someone interested in self-improvement, these digital resources provide an efficient and accessible means of acquiring knowledge. Moreover, PDF books and manuals offer a range of benefits compared to other digital formats. PDF files are designed to retain their formatting regardless of the device used to open them. This ensures that the content appears exactly as intended by the author, with no loss of formatting or missing graphics. Additionally, PDF files can be easily annotated, bookmarked, and searched for specific terms, making them highly practical for studying or referencing. When it comes to accessing Simple Ac Motor Speed Control Circuit Diagram books and manuals, several platforms offer an extensive collection of resources. One such platform is Project Gutenberg, a nonprofit organization that provides over 60,000 free eBooks. These books are primarily in the public domain, meaning they can be freely distributed and downloaded. Project Gutenberg offers a wide range of classic literature, making it an excellent resource for literature enthusiasts. Another popular platform for Simple Ac Motor Speed Control Circuit Diagram books and manuals is Open Library. Open Library is an initiative of the Internet Archive, a non-profit organization dedicated to digitizing cultural artifacts and making them

accessible to the public. Open Library hosts millions of books, including both public domain works and contemporary titles. It also allows users to borrow digital copies of certain books for a limited period, similar to a library lending system. Additionally, many universities and educational institutions have their own digital libraries that provide free access to PDF books and manuals. These libraries often offer academic texts, research papers, and technical manuals, making them invaluable resources for students and researchers. Some notable examples include MIT OpenCourseWare, which offers free access to course materials from the Massachusetts Institute of Technology, and the Digital Public Library of America, which provides a vast collection of digitized books and historical documents. In conclusion, Simple Ac Motor Speed Control Circuit Diagram books and manuals for download have transformed the way we access information. They provide a cost-effective and convenient means of acquiring knowledge, offering the ability to access a vast library of resources at our fingertips. With platforms like Project Gutenberg, Open Library, and various digital libraries offered by educational institutions, we have access to an ever-expanding collection of books and manuals. Whether for educational, professional, or personal purposes, these digital resources serve as valuable tools for continuous learning and self-improvement. So why not take advantage of the vast world of Simple Ac Motor Speed Control Circuit Diagram books and manuals for download and embark on your journey of knowledge?

FAQs About Simple Ac Motor Speed Control Circuit Diagram Books

What is a Simple Ac Motor Speed Control Circuit Diagram PDF? A PDF (Portable Document Format) is a file format developed by Adobe that preserves the layout and formatting of a document, regardless of the software, hardware, or operating system used to view or print it. **How do I create a Simple Ac Motor Speed Control Circuit Diagram PDF?** There are several ways to create a PDF: Use software like Adobe Acrobat, Microsoft Word, or Google Docs, which often have built-in PDF creation tools. Print to PDF: Many applications and operating systems have a "Print to PDF" option that allows you to save a document as a PDF file instead of printing it on paper. Online converters: There are various online tools that can convert different file types to PDF. **How do I edit a Simple Ac Motor Speed Control Circuit Diagram PDF?** Editing a PDF can be done with software like Adobe Acrobat, which allows direct editing of text, images, and other elements within the PDF. Some free tools, like PDFescape or Smallpdf, also offer basic editing capabilities. **How do I convert a Simple Ac Motor Speed Control Circuit Diagram PDF to another file format?** There are multiple ways to convert a PDF to another format: Use online converters like Smallpdf, Zamzar, or Adobe Acrobats export feature to convert PDFs to formats like Word, Excel, JPEG, etc. Software like Adobe Acrobat, Microsoft Word, or other PDF editors may have options to export or save PDFs in different formats. **How do I password-protect a Simple Ac Motor Speed Control Circuit Diagram PDF?** Most PDF

editing software allows you to add password protection. In Adobe Acrobat, for instance, you can go to "File" -> "Properties" -> "Security" to set a password to restrict access or editing capabilities. Are there any free alternatives to Adobe Acrobat for working with PDFs? Yes, there are many free alternatives for working with PDFs, such as: LibreOffice: Offers PDF editing features. PDFsam: Allows splitting, merging, and editing PDFs. Foxit Reader: Provides basic PDF viewing and editing capabilities. How do I compress a PDF file? You can use online tools like Smallpdf, ILovePDF, or desktop software like Adobe Acrobat to compress PDF files without significant quality loss. Compression reduces the file size, making it easier to share and download. Can I fill out forms in a PDF file? Yes, most PDF viewers/editors like Adobe Acrobat, Preview (on Mac), or various online tools allow you to fill out forms in PDF files by selecting text fields and entering information. Are there any restrictions when working with PDFs? Some PDFs might have restrictions set by their creator, such as password protection, editing restrictions, or print restrictions. Breaking these restrictions might require specific software or tools, which may or may not be legal depending on the circumstances and local laws.

Find Simple Ac Motor Speed Control Circuit Diagram :

audi a6 manual synfoni

fetal alcohol syndrome a medical dictionary bibliography and annotated research guide to internet references

the diary of anne frank the revised critical edition

bmw activehybrid 3 manual transmission

pc training college 2016 application form

saturn sc2 owners manual

[link belt cranes operators manual](#)

interests and integration market liberalization public opinion and european union

rainy days english edition

non renewable resource chapter 17 worksheet answers

[raise the dead](#)

non-religious devotional for a meeting

voltaire and tonton joe voltaire the francoamerican hipster dog t

[mercruiser alpha one lower unit manual](#)

mini cooper service manual 2007

Simple Ac Motor Speed Control Circuit Diagram :

[le cercle des impunis prix du quai des orfèvres 2019](#) - Jul 14 2023

web le cercle des impunis prix du quai des orfèvres 2019 poche 7 novembre 2018 des brumes de londres au soleil éclatant de marseille des policiers sont assassinés dans la

le cercle des impunis prix du quai des orfa vres book - Mar 10 2023

web découvrez des commentaires utiles de client et des classements de commentaires pour le cercle des impunis prix du quai des orfèvres 2019 policier sur amazon fr lisez

le cercle des impunis paul merault babelio - Aug 15 2023

web nov 7 2018 chaque année le prix du quai des orfèvres récompense un ouvrage de belle qualité et est très attendu par les amateurs du genre preuve en est la jolie pile de le

[le cercle des impunis prix du quai des orfèvres 2019 policier](#) - Apr 30 2022

web april 8th 2020 le cercle des impunis prix du quai des orfevres 2019 published nov 2018 7 x 4 3 x 1 description prix du quai des orfèvres 2019 aux limites du virtuel et de

le cercle des impunis prix du quai des orfèvres 2019 by paul - Jun 01 2022

web le cercle des impunis prix du quai des de paul april 3rd 2020 retrouvez l ebook le cercle des impunis prix du quai des orfèvres 2019 par paul merault au format epub

le cercle des impunis prix du quai des orfèvres 2019 policier - Jul 02 2022

web le cercle des impunis prix du quai des orfèvres 2019 by paul merault des brumes de londres au soleil éclatant de marseille des policiers sont assassinés dans la plus

le cercle des impunis prix du quai des orfa vres full pdf - Nov 06 2022

web jul 1 2023 le cercle des impunis paul merault 2018 11 07 des brumes de londres au soleil éclatant de marseille des policiers sont assassinés dans la plus sordide des

[le cercle des impunis prix du quai des orfèvres 2019 by paul](#) - Mar 30 2022

web april 22nd 2020 le cercle des impunis paul merault prix du quai des orfÈvres 2019 présentation des brumes de londres au soleil éclatant de marseille des policiers

le cercle des impunis prix du quai des orfèvres 2019 policier - Feb 26 2022

web le cercle des impunis prix du quai des orfèvres 2019 by paul merault orfvres le prix du quai des orfvres dcern paul merault rts le cercle des impunis prix du quai des

[le cercle des impunis prix du quai des orfèvres 2019 by paul](#) - Oct 25 2021

web april 8th 2020 le cercle des impunis prix du quai des orfevres 2019 published nov 2018 7 x 4 3 x 1 description prix du

quai des orfèvres 2019 aux limites du virtuel et de

le cercle des impunis prix du quai des orfèvres - Jun 13 2023

web may 1st 2020 prix du quai des orfèvres 2019 le cercle des impunis paul merault fayard des milliers de livres avec la livraison chez vous en 1 jour ou en magasin avec 5

le cercle des impunis prix du quai des orfèvres 2019 by paul - May 12 2023

web abebooks com le cercle des impunis prix du quai des orfèvres 2019 9782213709956 by merault paul and a great selection of similar new used and collectible books

le cercle des impunis prix du quai des orfa vres pdf - Jan 08 2023

web we present le cercle des impunis prix du quai des orfa vres and numerous ebook collections from fictions to scientific research in any way in the midst of them is this le

le cercle des impunis prix du quai des orfèvres 2019 policier - Sep 23 2021

le cercle des impunis prix du quai des orfa vres copy - Dec 07 2022

web la source du rayonnement ou l'origine de la chaleur interne de la terre l'enquête sur la disparition des dinosaures la découverte des planètes etc les impunis apr 08 2022

le cercle des impunis prix du quai des orfa vres pdf - Oct 05 2022

web 2 le cercle des impunis prix du quai des orfa vres 2021 07 01 monde vivez le futur d'une humanité dispersée dans l'univers confrontée à d'autres peuples stellaires et à

le cercle des impunis prix du quai des orfèvres 2019 by paul - Jan 28 2022

web des orfvres 2019 le figaro fr le cercle des impunis prix du quai des paul merault des brumes de londres au soleil éclatant de marseille des policiers sont assassinés dans la

le cercle des impunis prix du quai des orfèvres 2019 - Apr 11 2023

web le cercle des impunis prix du quai des orfa vres byzantine architecture dec 11 2022 correspondence relative to the affairs of the levant jan 12 2023 bulletin des sciences

le cercle des impunis prix du quai des orfa vres uniport edu - Aug 03 2022

web jun 26 2023 le cercle des impunis prix du quai des orfèvres 2019 policier by paul merault extrêmes paul merault sait d'expérience que le crime n'a pas de patrie et

le cercle des impunis prix du quai des orfa vres pdf - Sep 04 2022

web le cercle des impunis prix du quai des orfa vres 1 11 downloaded from uniport edu ng on may 28 2023 by guest le cercle des impunis prix du quai des orfa vres when

le cercle des impunis prix du quai des orfèvres 2019 by paul - Nov 25 2021

web lisez le cercle des impunis prix du quai des orfèvres 2019 de paul merault disponible chez rakuten kobo des brumes de londres au soleil éclatant de marseille

amazon fr commentaires en ligne le cercle des impunis prix - Feb 09 2023

web mar 29 2023 le cercle des impunis prix du quai des orfa vres 2 9 downloaded from uniport edu ng on march 29 2023 by guest is set in the united states during the

le cercle des impunis prix du quai des orfèvres 2019 by paul - Dec 27 2021

web february 26th 2020 le jury du prix du quai des orfèvres 2019 a répensé paul merault pour le cercle des impunis un polar qui mêle les cultures policières françaises et

d un volcan à l autre les aventures d un chasseur de lave - Aug 03 2022

web d un volcan à l autre les aventures d un chasseur de lave lyon france 6 365 likes depuis 50 ans guy de saint cyr guide des groupes de

les aventures d un chasseur de lave guy de saint cyr raconte - Nov 06 2022

web extrait du livre d un volcan à l autre les aventures d un chasseur de lave de guy de saint cyr récit vibrant du spectacle extraordinaire de l éruption À la conquête des volcans

d un volcan à l autre les aventures d un chasseur de lave - Jul 14 2023

web oct 2 2014 les aventures d un chasseur de lave d un volcan à l autre guy de saint cyr jamy gourmaud la martiniere eds de des milliers de livres avec la livraison chez vous en 1 jour ou en magasin avec 5 de réduction ou téléchargez la version ebook

d un volcan à l autre les aventures d un chasseur de lave de - Feb 09 2023

web d un volcan à l autre les aventures d un chasseur de lave de de saint cyr guy sur abebooks fr isbn 10 2732467456 isbn 13 9782732467450 martiniere bl 2014 couverture souple

d un volcan a l autre les aventures d un chasseur copy - Apr 30 2022

web d un volcan a l autre les aventures d un chasseur d un volcan a l autre les aventures d un chasseur 2 downloaded from nysm pfi org on 2022 09 05 by guest complexes inversion calques etc la traduction procédés dangers recherche du mot juste difficultés particulières et défis images et métaphores style et ton

d un volcan à l autre les aventures d un chasseur de lave - Jun 13 2023

web composé de dix sept récits ce livre passe d un volcan à l autre d une anecdote à une aventure bouleversante comme on saute de rocher en rocher mais gravir un volcan en activité ce n est pas un jeu dont il suffirait de connaître les règles c est une aventure imprévisible dans un vacarme étourdissant

d un volcan à l autre les aventures d un chasseur de lave - Aug 15 2023

web noté 5 retrouvez d un volcan à l autre les aventures d un chasseur de lave et des millions de livres en stock sur amazon fr achetez neuf ou d occasion

d un volcan à l autre les aventures d un chasseur de lave guy - Sep 04 2022

web d un volcan à l autre les aventures d un chasseur de lave par guy de saint cyr aux éditions la martiniere depuis cinquante ans guy de saint cyr guide des petits groupes de scientifiques de passionnés ou de curieux à la découverte

d un volcan a l autre les aventures d un chasseur 2022 - Jan 28 2022

web 4 d un volcan a l autre les aventures d un chasseur 2022 12 21 ecological touristic and socioeconomic aspects of natural heritage argues for the dynamic conservation of that heritage and explains its key characteristics promotion conservation and management to achieve sustainable development goals emerging concepts such as geodiversity

d un volcan à l autre les aventures d un chasseur de lave decitre - Mar 30 2022

web oct 25 2014 retrouvez l ebook d un volcan à l autre les aventures d un chasseur de lave de guy de saint cyr Éditeur la martinière format pdf librairie decitre votre prochain livre est là le coup de cœur du moment sélection prix première plume le caire egypte 60 s d un volcan à l autre les aventures d un chasseur de lave est

d un volcan à l autre éditions de la martinière - Dec 07 2022

web l auteur c est en 1958 que le jeune guy de saint cyr assiste les yeux ronds à sa première éruption sur les pentes du stromboli il n en est jamais revenu et n a eu de cesse depuis d aller côtoyer les géants ignivomes de la planète aussi spectaculaires qu imprévisibles

d un volcan à l autre les aventures d un chasseur de lave decitre - May 12 2023

web oct 2 2014 composé de dix sept récits ce livre passe d un volcan à l autre d une anecdote à une aventure bouleversante comme on saute de rocher en rocher mais gravir un volcan en activité ce n est pas un jeu dont il suffirait de connaître les règles c est une aventure imprévisible dans un vacarme étourdissant

d un volcan a l autre les aventures d un chasseur pdf - Jul 02 2022

web 4 d un volcan a l autre les aventures d un chasseur 2021 08 27 diagrams illustrations case studies from all over the world based on the most updated international research findings the atlas guides the reader from the roots of environmental migration through to governance in addition to the primary audience of students and scholars of

d un volcan à l autre les aventures d un chasseur de lave - Apr 11 2023

web de toutes les aventures que guy de saint cyr a vécues depuis cinquante ans en quête d explosions titanesques de fleuves de lave tumultueux ou de lacs de roche en fusion il en a retenu dix sept pour nous faire vivre ses frayeurs les plus intenses ou sa joie viscérale devant ces déchaînements de fureur

d un volcan à l autre les aventures d un chasseur de lave - Jan 08 2023

web jun 20 2023 a book d un volcan à l autre les aventures d un chasseur de lave by guy de saint cyr jamy gourmaud moreover it is not directly done you could believe even more close to this life nearly the world maybe you have expertise that people have look various times for their cherished books later this d un volcan à l autre les aventures

d un volcan à l autre les aventures d un chasseur de lave saint - Mar 10 2023

web d un volcan à l autre les aventures d un chasseur de lave saint cyr guy de amazon com au books

d un volcan à l autre les aventures d un chasseur de lave - Oct 05 2022

web d un volcan à l autre les aventures d un chasseur de lave broché achat en ligne au meilleur prix sur e leclerc retrait gratuit dans de 700 magasins bons plans

d un volcan à l autre en librairie le 2 octobre actualités - Feb 26 2022

web sep 19 2014 le livre de guy de saint cyr sera disponible en librairie à partir du 2 octobre d un volcan à l autre les aventures d un chasseur de lave depuis cinquante ans guy de saint cyr guide des groupes de scientifiques de passionnés ou de curieux à la découverte des éruptions les plus extraordinaires les plus dangereuses du monde

d un volcan a l autre les aventures d un chasseur book - Jun 01 2022

web d un volcan a l autre les aventures d un chasseur d un volcan a l autre les aventures d un chasseur 2 downloaded from klantenhandboek dutchgiraffe com on 2022 11 19 by guest centre universitaire de la réunion 1973 le cinéma de john huston christophe leclerc 2006 analyse de l oeuvre de j houston se situant à

d un volcan à l autre les aventures d un chasseur de lave - Dec 27 2021

web d un volcan à l autre les aventures d un chasseur de lave lyon 6 494 likes depuis 50 ans guy de saint cyr guide des groupes de scientifiques de

pintura del antiguo egipto wikipedia la enciclopedia libre - Feb 09 2023

web la civilización egipcia no solo creó la arquitectura pintura y escultura su belleza no tan solo es impresionante sino que también es toda una cultura que ha hecho soñar a miles de personas como investigadores literarios y las personas comunes donde se funde un sobresaliente misterioso e historia el arte egipcio es un arte que se relaciona co

arte del antiguo egipto enciclopedia de historia - Sep 16 2023

web recuperado de enciclopedia de historia enciclopediadehistoria com arte del antiguo egipto Última actualización octubre 2022 todo acerca de lo que fue el arte egipcio o el arte en el antiguo egipto características arquitectura escultura pintura y arte egipcio qué es definición características escultura pintura - Aug 15 2023

web arte egipcio sin duda alguna el arte del antiguo egipto es una de las manifestaciones artísticas que más ha dominado al hombre moderno y de la cual se tiene registro desde tiempos inmemorables el arte egipcio mantiene una relación muy

estrecha con el medio en el que se presentaba

breve historia del arte egipcio world history encyclopedia - Jul 14 2023

web may 30 2017 el arte del imperio de egipto está entre los más grandes en la civilización debido al interés en aprender nuevas técnicas y estilos e incorporarlas al arte egipcio antes de la llegada de los hicsos a egipto los egipcios pensaban que las otras naciones eran incivilizadas y bárbaras y no los consideraban dignos de especial

principales características del arte egipcio pintura arquitectura y - May 12 2023

web jan 7 2021 el arte egipcio se considera como uno de los más representativos movimientos artísticos desarrollados en la antigüedad egipcia la cantidad de obras que se desarrollaron fue a gran escala y de grandes magnitudes así como monumentales

arte egipcio resumen con características aboutespañol com - Jun 13 2023

web nov 1 2019 el arte egipcio más conocido y estudiado son las obras del antiguo egipto 3000 a c a 30 a c que ha perdurado hasta la actualidad principalmente monumentos funerarios y templos en los que se han encontrado esculturas y pinturas egipcias principales características del arte egipcio invariable

arte del antiguo egipto wikipedia la enciclopedia libre - Oct 17 2023

web una de las características del antiguo egipto es su singular arte con obras monumentales que generalmente tenían carácter simbólico funerario o religioso aunque el concepto de arte es moderno es perfectamente utilizable en la arquitectura escultura pintura y joyería egipcias siendo muchas de sus realizaciones auténticas

escultura del antiguo egipto wikipedia la enciclopedia libre - Jan 08 2023

web menkaura imperio antiguo el escriba sentado kaaper cheik el beled archivo amenemhete iii jpg imperio medio amenemhat iii imperio nuevo akenatón archivo egypte louvre 003 jpg dinastía ptolemaica

3 1 2 arte del antiguo egipto libretxts español - Apr 11 2023

web el arte egipcio antiguo debe ser visto desde el punto de vista de los antiguos egipcios para entenderlo la naturaleza algo estática generalmente formal extrañamente abstracta y a menudo bloqueosa de gran parte de las imágenes egipcias ha llevado a veces a comparaciones desfavorables con el arte posterior y mucho más naturalista griego o

4 1 introducción al arte egipcio antiguo libretxts español - Mar 10 2023

web introducción al arte egipcio antiguo el arte egipcio antiguo es la pintura escultura y arquitectura producida por la civilización en el valle del nilo desde 5000 a c hasta 300 d c objetivos de aprendizaje crea una línea de tiempo de la civilización egipcia antigua marcando los reinos viejo medio y nuevo claves para llevar puntos clave