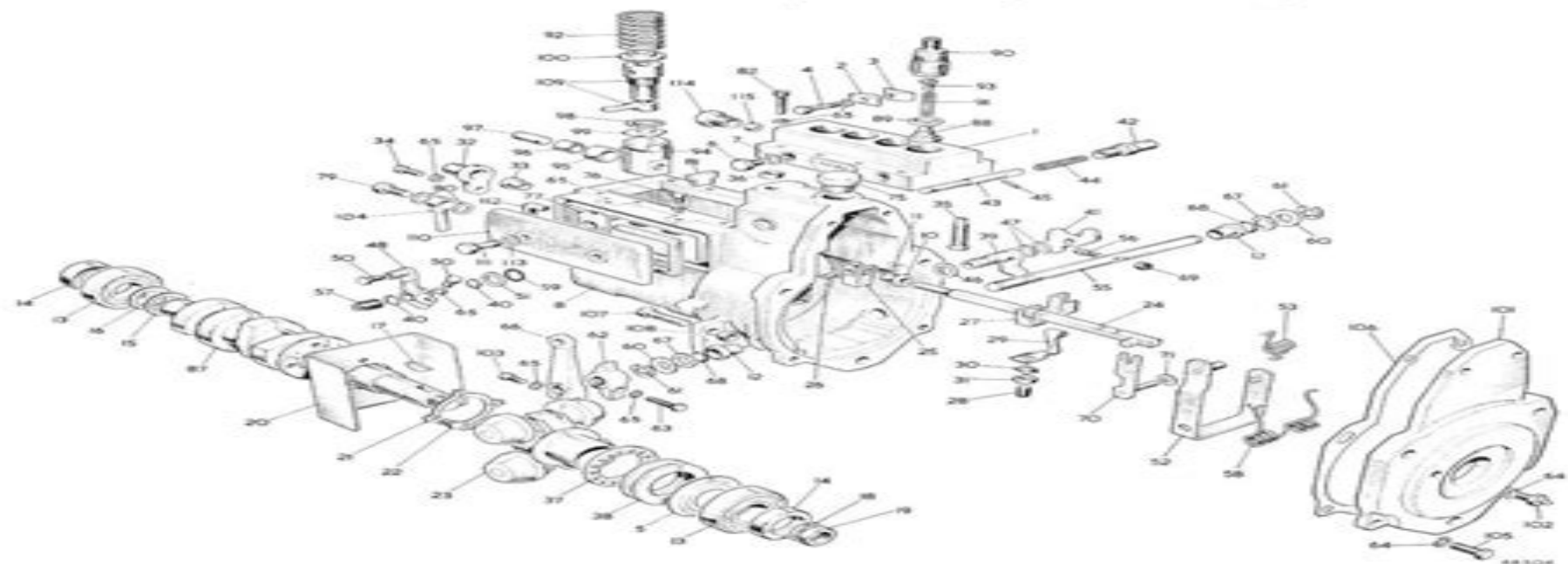


# Simms Minimec 4 Cylinder Injection Pump



[www.injectionpumps.co.uk](http://www.injectionpumps.co.uk)

No.	Description	No.	Description	No.	Description
1.	Pump body.	37.	Thrust bearing.	77.	Bridge plate.
2.	Clamp—plain.	38.	Thrust pad.	79.	Screw—oil level banjo.
3.	Clamp—threaded.	39.	Stop shaft assembly.	80.	Joint washer—banjo.
4.	Screw—clamp.	40.	Spring ring.	81.	'T' piece—tappet locating.
5.	Baffle washer—front bearing.	41.	Maximum stop lever.	82.	Screw—body to housing.
6.	Screw—air vent.	42.	Bearing—excess shaft.	87.	Camshaft.
7.	Joint washer.	43.	Excess shaft.	88.	Delivery valve and guide.
8.	Pump unit housing.	44.	Return spring.	89.	Joint ring—valve.
10.	Bush—front—control rod.	45.	Groverloc pin—excess shaft.	90.	Holder—delivery valve.
11.	Groverloc pin—bush.	46.	Thrust washer—stop shaft.	91.	Spring—delivery valve.
12.	Bush—control shaft.	47.	Sealing washer—stop shaft to lever.	92.	Spring—plunger return.
13.	Ball bearing—camshaft.	48.	Stop control lever.	93.	Volume reducer.
14.	Oil seal—camshaft.	50.	Screw—stop control lever.	94.	Tappet body.
15.	Shims—0.1 mm.	51.	Washer.	95.	Roller—tappet.
16.	Shims—0.2 mm.	52.	Rocking lever.	96.	Bush—tappet roller.
17.	Woodruff key.	53.	Spring.	97.	Pin—tappet roller.
18.	Washer—spring.	55.	Control shaft.	98.	Retainer—tappet spacer.
19.	Nut.	56.	Pin—governor spring.	99.	Spacer—tappet.
20.	Backplate.	57.	Shroud—excess shaft.	100.	Disc—spring—lower.
21.	Tab washer.	58.	Governor spring.	101.	Cover—governor.
22.	Screw—backplate.	59.	'O' seal—stop control shaft.	102.	Timing indicator.
23.	Governor weight assembly.	60.	Washer—control shaft.	103.	Screw—control lever.
24.	Control rod.	61.	'E' clip—control shaft.	104.	Banjo and pipe—oil level.
25.	Control fork.	62.	Stop quadrant.	105.	Screw—governor cover.
26.	Screw—control fork.	63.	Screw—stop.	106.	Gasket—governor cover.
27.	Maximum stop fork.	64.	Washer—spring— $\frac{1}{4}$ in.	107.	Stop screw—control lever and quadrant.
28.	Screw—stop fork.	65.	Washer—spring—2 B.A.	108.	Nut—stop screw.
29.	Spring—excess catch.	66.	Control lever.	109.	Barrel and plunger.
30.	Locking tab—stop fork.	67.	Shim washer.	110.	Cover—inspection.
31.	Locknut.	68.	Nu-lip ring.	111.	Bolt—cover.
32.	Cover—control rod.	69.	Nut—governor spring pin.	112.	Seal—inspection cover.
33.	Bush—rear—control rod.	70.	Link plate.	113.	Washer—inspection cover bolt.
34.	Screw—cover.	71.	Shim—link plate.	114.	Inlet union.
35.	Screw—maximum fuel stop.	75.	Oil filler plug.	115.	Olive—inlet pipe.
36.	Nut for screw.	76.	Screw—bridge plate.		

# Simms Fuel Injection Pump Repair Manual

**John William Major Sothern**



## **Simms Fuel Injection Pump Repair Manual:**

Diesel Servicing (D.O.T. Occupational Code 625.281) G. O. Anderson,1969 *Chilton's Diesel Engine Service Manual*, 1984 John H. Weise,1984 **I & T Shop Service** , **The Oil Engine Manual** Denys Stephen Dodsley Williams,1956 Diesel Engine Manual Edward Molloy,1953 **Popular Mechanics** ,1945-11 Popular Mechanics inspires instructs and influences readers to help them master the modern world Whether it s practical DIY home improvement tips gadgets and digital technology information on the newest cars or the latest breakthroughs in science PM is the ultimate guide to our high tech lifestyle A Practical Approach to Motor Vehicle Engineering and Maintenance Allan Bonnick,Derek Newbold,2006-08-11 This text covers all the mandatory and popular optional units of the IMI Technical Certificates and NVQ Level 1 2 syllabus from health and safety regulations to fault finding and replacing components Fully updated it also has vehicle maintenance procedures integrated throughout making it the indispensable first classroom and workshop text for all students of motor vehicle engineering apprentices and keen amateurs The text is made accessible to all levels of ability through its clear logical approach excellent illustrations and step by step development of theory and practice There is guidance on preparing portfolios of evidence and practical exercises are included to demonstrate actual workshop practice **I & T Shop Service: Flat Rate Manual** ,1964 Contains job prices on all popular makes and models of tractors **Diesel Car Digest** ,1976 **BMC (Leyland) 1,5 + 1,8 LITRE DIESEL ENGINE** BMC Motor Corporation Ltd,2013-09-10 Reprint of the entire official factory publications for the four cylinder BMC Diesel Engines which even today are still very common in boating **Automotive Industries, the Automobile** ,1935 The Oil Engine Manual ,1950 Automotive Industries ,1963 **Diesel Maintenance** T. H. Parkinson,1955 **Model curriculum for training tractor-trailer drivers** ,1985 **Machinery Lloyd** ,1982 *Diesel Progress* ,1958 *Diesel and Gas Turbine Progress* ,1958 *Notes and Sketches on Marine Diesel Oil Engines* John William Major Sothern,1922 *Light-duty Diesel Evaluation* Robert E. Flock,1983

Delve into the emotional tapestry woven by in Dive into the Emotion of **Simms Fuel Injection Pump Repair Manual** . This ebook, available for download in a PDF format ( Download in PDF: \*), is more than just words on a page; itis a journey of connection and profound emotion. Immerse yourself in narratives that tug at your heartstrings. Download now to experience the pulse of each page and let your emotions run wild.

<https://movement.livewellcolorado.org/data/book-search/index.jsp/Smart%20Launcher%20Manual.pdf>

## **Table of Contents Simms Fuel Injection Pump Repair Manual**

1. Understanding the eBook Simms Fuel Injection Pump Repair Manual
  - The Rise of Digital Reading Simms Fuel Injection Pump Repair Manual
  - Advantages of eBooks Over Traditional Books
2. Identifying Simms Fuel Injection Pump Repair Manual
  - Exploring Different Genres
  - Considering Fiction vs. Non-Fiction
  - Determining Your Reading Goals
3. Choosing the Right eBook Platform
  - Popular eBook Platforms
  - Features to Look for in an Simms Fuel Injection Pump Repair Manual
  - User-Friendly Interface
4. Exploring eBook Recommendations from Simms Fuel Injection Pump Repair Manual
  - Personalized Recommendations
  - Simms Fuel Injection Pump Repair Manual User Reviews and Ratings
  - Simms Fuel Injection Pump Repair Manual and Bestseller Lists
5. Accessing Simms Fuel Injection Pump Repair Manual Free and Paid eBooks
  - Simms Fuel Injection Pump Repair Manual Public Domain eBooks
  - Simms Fuel Injection Pump Repair Manual eBook Subscription Services
  - Simms Fuel Injection Pump Repair Manual Budget-Friendly Options

6. Navigating Simms Fuel Injection Pump Repair Manual eBook Formats
  - ePub, PDF, MOBI, and More
  - Simms Fuel Injection Pump Repair Manual Compatibility with Devices
  - Simms Fuel Injection Pump Repair Manual Enhanced eBook Features
7. Enhancing Your Reading Experience
  - Adjustable Fonts and Text Sizes of Simms Fuel Injection Pump Repair Manual
  - Highlighting and Note-Taking Simms Fuel Injection Pump Repair Manual
  - Interactive Elements Simms Fuel Injection Pump Repair Manual
8. Staying Engaged with Simms Fuel Injection Pump Repair Manual
  - Joining Online Reading Communities
  - Participating in Virtual Book Clubs
  - Following Authors and Publishers Simms Fuel Injection Pump Repair Manual
9. Balancing eBooks and Physical Books Simms Fuel Injection Pump Repair Manual
  - Benefits of a Digital Library
  - Creating a Diverse Reading Collection Simms Fuel Injection Pump Repair Manual
10. Overcoming Reading Challenges
  - Dealing with Digital Eye Strain
  - Minimizing Distractions
  - Managing Screen Time
11. Cultivating a Reading Routine Simms Fuel Injection Pump Repair Manual
  - Setting Reading Goals Simms Fuel Injection Pump Repair Manual
  - Carving Out Dedicated Reading Time
12. Sourcing Reliable Information of Simms Fuel Injection Pump Repair Manual
  - Fact-Checking eBook Content of Simms Fuel Injection Pump Repair Manual
  - Distinguishing Credible Sources
13. Promoting Lifelong Learning
  - Utilizing eBooks for Skill Development
  - Exploring Educational eBooks
14. Embracing eBook Trends
  - Integration of Multimedia Elements

- Interactive and Gamified eBooks

### **Simms Fuel Injection Pump Repair Manual Introduction**

Free PDF Books and Manuals for Download: Unlocking Knowledge at Your Fingertips In today's fast-paced digital age, obtaining valuable knowledge has become easier than ever. Thanks to the internet, a vast array of books and manuals are now available for free download in PDF format. Whether you are a student, professional, or simply an avid reader, this treasure trove of downloadable resources offers a wealth of information, conveniently accessible anytime, anywhere. The advent of online libraries and platforms dedicated to sharing knowledge has revolutionized the way we consume information. No longer confined to physical libraries or bookstores, readers can now access an extensive collection of digital books and manuals with just a few clicks. These resources, available in PDF, Microsoft Word, and PowerPoint formats, cater to a wide range of interests, including literature, technology, science, history, and much more. One notable platform where you can explore and download free Simms Fuel Injection Pump Repair Manual PDF books and manuals is the internet's largest free library. Hosted online, this catalog compiles a vast assortment of documents, making it a veritable goldmine of knowledge. With its easy-to-use website interface and customizable PDF generator, this platform offers a user-friendly experience, allowing individuals to effortlessly navigate and access the information they seek. The availability of free PDF books and manuals on this platform demonstrates its commitment to democratizing education and empowering individuals with the tools needed to succeed in their chosen fields. It allows anyone, regardless of their background or financial limitations, to expand their horizons and gain insights from experts in various disciplines. One of the most significant advantages of downloading PDF books and manuals lies in their portability. Unlike physical copies, digital books can be stored and carried on a single device, such as a tablet or smartphone, saving valuable space and weight. This convenience makes it possible for readers to have their entire library at their fingertips, whether they are commuting, traveling, or simply enjoying a lazy afternoon at home. Additionally, digital files are easily searchable, enabling readers to locate specific information within seconds. With a few keystrokes, users can search for keywords, topics, or phrases, making research and finding relevant information a breeze. This efficiency saves time and effort, streamlining the learning process and allowing individuals to focus on extracting the information they need. Furthermore, the availability of free PDF books and manuals fosters a culture of continuous learning. By removing financial barriers, more people can access educational resources and pursue lifelong learning, contributing to personal growth and professional development. This democratization of knowledge promotes intellectual curiosity and empowers individuals to become lifelong learners, promoting progress and innovation in various fields. It is worth noting that while accessing free Simms Fuel Injection Pump Repair Manual PDF books and manuals is convenient and cost-effective, it is vital to respect copyright laws and intellectual property rights. Platforms offering free

downloads often operate within legal boundaries, ensuring that the materials they provide are either in the public domain or authorized for distribution. By adhering to copyright laws, users can enjoy the benefits of free access to knowledge while supporting the authors and publishers who make these resources available. In conclusion, the availability of Simms Fuel Injection Pump Repair Manual free PDF books and manuals for download has revolutionized the way we access and consume knowledge. With just a few clicks, individuals can explore a vast collection of resources across different disciplines, all free of charge. This accessibility empowers individuals to become lifelong learners, contributing to personal growth, professional development, and the advancement of society as a whole. So why not unlock a world of knowledge today? Start exploring the vast sea of free PDF books and manuals waiting to be discovered right at your fingertips.

### FAQs About Simms Fuel Injection Pump Repair Manual Books

**What is a Simms Fuel Injection Pump Repair Manual PDF?** A PDF (Portable Document Format) is a file format developed by Adobe that preserves the layout and formatting of a document, regardless of the software, hardware, or operating system used to view or print it. **How do I create a Simms Fuel Injection Pump Repair Manual PDF?** There are several ways to create a PDF: Use software like Adobe Acrobat, Microsoft Word, or Google Docs, which often have built-in PDF creation tools. Print to PDF: Many applications and operating systems have a "Print to PDF" option that allows you to save a document as a PDF file instead of printing it on paper. Online converters: There are various online tools that can convert different file types to PDF. **How do I edit a Simms Fuel Injection Pump Repair Manual PDF?** Editing a PDF can be done with software like Adobe Acrobat, which allows direct editing of text, images, and other elements within the PDF. Some free tools, like PDFescape or Smallpdf, also offer basic editing capabilities. **How do I convert a Simms Fuel Injection Pump Repair Manual PDF to another file format?** There are multiple ways to convert a PDF to another format: Use online converters like Smallpdf, Zamzar, or Adobe Acrobats export feature to convert PDFs to formats like Word, Excel, JPEG, etc. Software like Adobe Acrobat, Microsoft Word, or other PDF editors may have options to export or save PDFs in different formats. **How do I password-protect a Simms Fuel Injection Pump Repair Manual PDF?** Most PDF editing software allows you to add password protection. In Adobe Acrobat, for instance, you can go to "File" -> "Properties" -> "Security" to set a password to restrict access or editing capabilities. Are there any free alternatives to Adobe Acrobat for working with PDFs? Yes, there are many free alternatives for working with PDFs, such as: LibreOffice: Offers PDF editing features. PDFsam: Allows splitting, merging, and editing PDFs. Foxit Reader: Provides basic PDF viewing and editing capabilities. **How do I compress a PDF file?** You can use online tools like Smallpdf, ILovePDF, or desktop software like Adobe Acrobat to compress PDF files without significant quality loss. Compression reduces the file size, making it easier to share

and download. Can I fill out forms in a PDF file? Yes, most PDF viewers/editors like Adobe Acrobat, Preview (on Mac), or various online tools allow you to fill out forms in PDF files by selecting text fields and entering information. Are there any restrictions when working with PDFs? Some PDFs might have restrictions set by their creator, such as password protection, editing restrictions, or print restrictions. Breaking these restrictions might require specific software or tools, which may or may not be legal depending on the circumstances and local laws.

### **Find Simms Fuel Injection Pump Repair Manual :**

*smart launcher manual*

*snake hunting on the devils highway english edition*

**snap on wb260 wheel balancer manual**

*smokehouse almonds recipe*

*snapper z2004k manual*

**smart board 68installation guide**

*snapper turf cruiser manual*

**smartlinks list epic emr**

[snap on multimeter eedm503d manual](#)

*smarties candy poem for students*

*slow cooker recipe chili*

**snapper sr1028 manual**

*slp graduate school resume samples*

[smartstart install guide](#)

**snow a novel english edition**

### **Simms Fuel Injection Pump Repair Manual :**

**was ist swing trading strategien definition und erklärung** - Jul 06 2022

web feb 10 2021 swing trades sind ein typ des fundamentalen handels bei dem trades länger als 24 stunden im depot bleiben der großteil der swing trader arten von konten instrumente xcritical handelsplattform wirtschaftskalender die berichtssaison in den usa handelszeiten die xcritical app spread table aktienindizes online handeln

*5 einfache swing trading strategien für anfänger 2023* - Jun 17 2023



web sep 1 2020 unter swing trading versteht man jede art von kurzfristigen handelsstrategien die nicht auf einen einzigen tag beschränkt ist beim swing trading geht es um perioden zwischen einigen tagen und einigen wochen grundsätzlich eignet sich jeder markt für swing trading mein tipp Über 3 700 verschiedene märkte zu

**swing trading strategien welche ist die beste finanzwissen** - Aug 19 2023

web mar 10 2023 swing trading kann mit der richtigen trading strategie ein attraktives gewinnpotenzial bieten gleichzeitig sollten trader allerdings auch die nachteile und risiken dieser swing trading strategie im blick behalten welche vor und nachteile das swing trading hat zeigen wir dir in diesem abschnitt welche vorteile haben swing

was ist swing trading swing trading strategien für anfänger - Dec 11 2022

web trendtrading eine trendtrading strategie beruht auf der nutzung technischer hinweise um die richtung des marktmomentums zu ermitteln strategien beim swing trading versuchen einen teil dieses trends zu erfassen und vorteile aus dem swing high oder swing low zu ziehen

*swing trading strategien* - Feb 01 2022

web das sind die wichtigsten swing trading indikatoren swing trading indikatoren spielen eine entscheidende rolle bei der identifizierung von handelsmöglichkeiten und der bestimmung von einstiegs und ausstiegspunkten hier sind einige der wichtigsten indikatoren für das swing trading

*swing trading strategie indikatoren signale erklärt* - Jun 05 2022

web mar 3 2021 das swing trading ist eine handelsstrategie bei der trader profite aus sogenannten swings versuchen zu gewinnen ein besonders interessanter aspekt hinsichtlich der swing trading handelsstrategie ist der zeitraumen in dem man sich als händler bewegt

**swing trading mit kursschwankungen zum erfolg lynx** - Nov 10 2022

web der trader wartet darauf dass sich der dax dieser 200 tage linie annähert und von dort aus beginnt wieder anzusteigen das bietet die basis für einen swing trade long und den vorteil dass er den stop loss für diese position recht eng konkret ein bis zwei prozent unterhalb der 200 tage linie ansiedeln kann denn sollte dieser gleitende durchschnitt

**swing trading die entspannte art des tradings mit** - May 04 2022

web swing trading wird eine immer beliebtere trading strategie da die menschen nach möglichkeiten suchen neben ihrer vollzeitbeschäftigung ein zusätzliches einkommen zu erzielen und mit der entwicklung von trading apps für das smartphone oder tablet ist das trading von unterwegs aus so einfach wie nie zuvor was ist swing trading

swing trading strategien lernen und handels erfahrungen - Oct 09 2022

web aug 10 2023 beim swing trading handelt es sich prinzipiell um eine trading strategie die oftmals dem daytrading sehr ähnelt dabei wird darauf abgezielt von kleineren kursbewegungen innerhalb eines

[wie sie richtige aktien zum swing trading finden trading lernen für](#) - Apr 15 2023

web sep 2 2020 daher schauen wir uns im folgenden die ein oder andere strategie an die trader beim swing trading einsetzen swing trading mit dem gleitenden durchschnitt swing trading mit trendkanälen swing trading in trendlosen phasen seitwärtsbewegung aktien swing trading mit dem gleitenden durchschnitt

[swing trading der ultimative guide incl strategien 2023](#) - Jul 18 2023

web oct 2 2023 swing trading das wichtigste vorweg swing trading ist eine form des handels bei der anleger versuchen von in der regel kurz bis mittelfristigen preisschwankungen an den finanzmärkten zu profitieren swing trader halten ihre positionen in der regel für mehrere tage oder sogar wochen

**trading mit dem richtigen swing amazon de** - Sep 20 2023

web trading mit dem richtigen swing peroutka michael isbn 9781500287924 kostenloser versand für alle bücher mit versand und verkauf duch amazon

[swing trading strategie 2023 swing trading einsteiger erklärung](#) - Aug 07 2022

web oct 2 2023 das swing trading richtig lernen finanzexperte erklärt swing trading so funktioniert swing trading 10 tipps und tricks für einsteiger

*swing trading strategie 100 pro tag verdienen trendbetter de* - Mar 02 2022

web sep 5 2023 eine einfach swing trading strategie mit der man 100 pro tag an der börse verdienen kann basiert auf der rsi strategie die wir bereits in einem artikel auf trendbetter ausführlich vorgestellt haben

**was ist swing trading so funktioniert die trading strategie** - May 16 2023

web so finden sie die beste swing trading strategie beim swing trading handelt es sich streng gesehen um einen stil nicht um eine strategie der stil wird definiert durch den zeitraumen woraus unzählige trading strategien entstehen können swing trading wird vor allem in mittleren bis langen zeitraumen betrieben

**swing trading strategien definition erklärung nextmarkets** - Jan 12 2023

web feb 28 2023 egal ob swing trading forex dax oder aktienhandel mit der richtigen swing trading strategie lassen sich lukrative trading gewinne einfahren wie kann man das swing trading lernen

**was ist swing trading handel lernen vom profi 2023** - Apr 03 2022

web mar 9 2020 unter swing trading versteht man das längerfristige handeln einer kompletten bewegung swing die positionen werden eher mittel und längerfristig aufgebaut und können bis zu mehreren tage gehalten werden bevor man diese wieder schließt generell starten die swing trades in den meisten fällen erst ab einer stunde

[trading mit dem richtigen swing kindle ausgabe amazon de](#) - Mar 14 2023

web trading mit dem richtigen swing kindle ausgabe von michael peroutka autor format kindle ausgabe 3 7 3 7 von 5 sternern

126 sternebewertungen

**swing trading das wichtigste im Überblick 2022 business** - Feb 13 2023

web jun 30 2022 das fazit lohnt sich swing trading bei dem swing trading nutzen wir analysetools und viele daten um langfristige trends von marktbebewegungen eines assets zu erkennen

was ist swing trading die strategie lernen für anfänger - Sep 08 2022

web aug 12 2023 nur der zeitraumen in dem das ganze betrachtet wird ändert sich zu den beliebtesten swing trading strategien gehören zum beispiel die trendfolgestrategie oder das breakout trading welche strategie für sie die richtige ist hängt von ihrer individuellen risikobereitschaft und ihrem marktverständnis ab

**africa s development in historical perspective nathan nunn** - Oct 05 2022

web may 15 2020 africa s development in historical perspective new york cambridge university press 2014 download citation abstract this edited volume addresses the root causes of africa s persistent poverty through an investigation of its longue durée history

africa s development in historical perspective - Jun 13 2023

web africa s development in historical perspective th is edited volume addresses the root causes of africa s persistent poverty through an investigation of africa s longue dur é e history it interrogates the african past through disease and demography institutions and governance african economies and the impact of the export slave trade

**africa in world history before ca 1440 chapter 1 africa s** - Dec 27 2021

web sep 5 2014 the african origins of history barely more than fifty thousand years ago the ancestors of every single human being alive today lived in africa world history to that point was african history that is now becoming accepted knowledge

**africa s development in historical perspective amazon com** - Feb 26 2022

web aug 11 2014 it interrogates the african past through disease and demography institutions and governance african economies and the impact of the export slave trade colonialism africa in the world economy and culture s influence on accumulation and investment

africa s development in historical perspective james robinson - Sep 04 2022

web africa s development in historical perspective 1st edited by emmanuel akyeampong 1st ed new york cambridge university press 526

**africa s development in historical perspective request pdf** - Apr 30 2022

web request pdf africa s development in historical perspective this edited volume addresses the root causes of africa s persistent poverty through an investigation of its longue durée

*post colonial african economic development in historical perspective* - Aug 03 2022

web post colonial african economic development in historical perspective alan hirsch and carlos lopes abstract africa is frequently framed in a narrative that reduces or minimises its significance and achievements

[africa s development in historical perspective harvard kennedy](#) - Dec 07 2022

web it interrogates the african past through disease and demography institutions and governance african economies and the impact of the export slave trade colonialism africa in the world economy and culture s influence on accumulation and investment

*africa s development in historical perspective economic development* - Jan 08 2023

web several of the chapters take a comparative perspective placing africa s developments aside other global patterns the readership for this book spans from the informed lay reader with an interest in africa academics and undergraduate and graduate students policy makers and those in the development world

**contents africa s development in historical perspective** - Nov 06 2022

web sep 5 2014 africa s development in historical perspective pp v vi doi doi org 10 1017 cbo9781139644594 publisher cambridge university press print publication year 2014 access options get access to the full version of this content by using one of the access options below log in options will check for institutional or personal

[book review africa s development in historical perspective](#) - Mar 30 2022

web dec 1 2015 morten jerven 2010 african economic growth recurring an economic history perspective on african growth episodes 1690 2010 in economic history of developing regions 25 127 154 that africa s economic history shows the importance of path dependence is widely acknowledged by economists and political scientists here

**africa s development in historical perspective** - Aug 15 2023

web it interrogates the african past through disease and demography institutions and governance african economies and the impact of the export slave trade colonialism africa in the world economy and culture s influence on accumulation and investment

**africa s development in historical perspective taylor francis** - Apr 11 2023

web aug 7 2015 africa s development in historical perspective represents an important attempt to insert africa into the literature on the great divergence that has been dominated by research on asia and more rec

[africa s development in historical perspective weatherhead](#) - Mar 10 2023

web nov 25 2014 several of the chapters take a comparative perspective placing africa s developments aside other global patterns the readership for this book spans from the informed lay reader with an interest in africa academics and undergraduate and graduate students policy makers and those in the development world

*introduction africa s development in historical perspective* - Jul 14 2023

web the current poverty and the widespread economic decline following independence in africa have led to a great deal of research by development economists and political scientists bates 1981 easterly and levine 1997 ndulu et al 2007 sachs and warner 1997

[african economic development in historical perspective](#) - Jun 01 2022

web readings for this course reflect current trends in research on african economic history and development indicative work includes emmanuel akyeampong et al eds africa s development in historical perspective cambridge 2014 other such readings will include recent contributions in journals such as the economic history review special

**africa s development in historical perspective google books** - May 12 2023

web aug 11 2014 it interrogates the african past through disease and demography institutions and governance african economies and the impact of the export slave trade colonialism africa in the world

**africa s development in historical perspective james a robinson** - Jul 02 2022

web jun 22 2018 2014 africa s development in historical perspective edited by akyeampong emmanuel robert h bates nathan nunn and james a robinson cambridge ma cambridge university press this edited volume addresses the root causes of africa s persistent poverty through an investigation of its longue durée history

*book review africa s development in historical perspective* - Feb 09 2023

web dec 1 2015 pdf epub in this collective volume influential economists historians and political scientists set themselves the task of explaining why africa diverged from the path of economic growth pioneered in europe

*post colonial african economic development in historical perspective* - Jan 28 2022

web sep 1 2020 hir sch lope s p ost colonial african economic development in historical perspective was epitomised by the tragic fate of the congo brutally colonised by king leopold ii s belgium

**american stories answer key macmillan vdocuments net** - Mar 30 2022

web oct 28 2015 american stories answer key macmillan home documents american stories answer key macmillan of 34 us stories answer key this page has been downloaded from macmillanenglish com it is photocopyable but all copies must be complete pages macmillan publishers limited 2009 published by macmillan

**stories of macmillan readers free pdfsayar com** - Apr 30 2022

web free download macmillan literature collection american stories advanced c2 pdf book macmillan literature collections these advanced level readers macmillan literature collection american stories advanced c2 a variety of original short stories written by famous classic and modern writers they are perfect for those students who

**ameri can stori es macmillan c2 pdf scribd** - Jul 14 2023

web save save american stories macmillan c2 for later 0 ratings 0 found this document useful 0 votes 6 views 58 pages ameri

can stories macmillan c2 original title american stories macmillan c2 uploaded by  
*american literature readings in the 21st century book series* - Sep 04 2022

web about this book series american literature readings in the twenty first century publishes works by contemporary authors that help shape critical opinion regarding american literature of the eighteenth nineteenth twentieth and twenty first centuries

[american government stories of a nation macmillan learning](#) - Nov 06 2022

web chapter 1 american government and politics the stories of our nation section 1 1 the fight for students rights section 1 2 american political culture section 1 3 competing theories of democracy section 1 4 institutions systems and power chapter 2 the constitution a new vision of government section 2 1 the articles of confederation

*my mother still has stories to tell about bletchley park* - Feb 26 2022

web 1 day ago fri 15 sep 2023 12 01 edt you reported on the death at the age of 99 of one of the last surviving female bletchley park codebreakers margaret betts 6 september my mother joan hughes née

**american stories readers full circle onestopenglish** - May 12 2023

web teacher s notes readers discussion closely prompting and helping the students to visualize their character and that character s thoughts feelings and actions

**home my american stories** - Jan 28 2022

web aug 5 2023 the doors are mostly closed but music comes from a solitary window six hours a day seven days a week inside charlotte bergen lives her life alone with the beauty she creates four times a year the reclusive woman emerges from her home and heads to carnegie hall where she conducts the american symphony orchestra

*american stories articles voa voice of america english news* - Mar 10 2023

web sep 14 2023 learn english as you read and listen to a weekly show with short stories by famous american authors adaptations are written at the intermediate and upper beginner level and are read one third

**american stories readers full circle** - Jun 13 2023

web listening skills macmillan literature collections full circle american stories activity 1 what do you think will happen in the conversation between betton and vyse choose from the descriptions below 1 vyse is surprised that betton wants to read the letters himself but doesn t ask

**american stories vspu ru** - Aug 03 2022

web to spain he wrote one of his most famous collections of stories tales of the alhambra his stories show the influence of european folktale and legend edgar allan poe 1809 49 was another famous writer of the period he wrote stories of mystery and horror and some of the first detective stories 6 macmillan literature collections introduction

**the six stories of nasa s first women astronauts revealed cnn** - Dec 27 2021

web sep 12 2023 in the six the untold stories of america s first women astronauts loren grush recounts the pressures and challenges faced by nasa s first class of female astronauts

*the oxford book of american short stories oxford paperbacks* - Jun 01 2022

web in the oxford book of american short stories joyce carol oates offers a sweeping survey of american short fiction in a collection of fifty nine tales that combines classic works with many different unexpected gems and that invites readers to explore a wealth of important pieces by women and minority writers the collection ranges from time

[macmillan readers level 7 macmillan literature collections american](#) - Feb 09 2023

web a collection of classic and modern stories by some of america s finest writers the collection brings together six stories which explore the development of the american short story over the past ce

*mr a literature world stories paperback january 7 2013* - Jul 02 2022

web jan 7 2013 publisher macmillan readers january 7 2013 language english

[american stories macmillanukraine com](#) - Jan 08 2023

web macmillan literature collections adventure stories american stories crime stories horror stories love stories world stories new science fiction stories travel stories twentieth century stories

*the american story series macmillan* - Aug 15 2023

web about this series david nevin s historical novels bring america s past fascinatingly to life the american story series includes the new york times bestselling novel dream west

*macmillan readers the last leaf and other stories* - Dec 07 2022

web the macmillan readers series is one of the most popular simplified readers for learners of english the information is controlled with pictures explaining some of the difficult vocabulary this brilliant book contains five short stories ranging from criminals and their crimes detectives and investigations and lovers and their hopes

**american government stories of a nation macmillan learning** - Oct 05 2022

web students get free shipping when you rent or buy american government stories of a nation 1st from macmillan learning available in hardcopy e book other digital formats

**american stories full circle by edith wharton part 8** - Apr 11 2023

web download american stories full circle by edith wharton part 8 download document if you have the earlier transcripts to listening skills macmillan literature collections hand ask the students to look back to track 2 of part 5 and track 1 of part 6 alternatively play the audio for track 1 of part 6 again to remind the students of