

Fig. 1

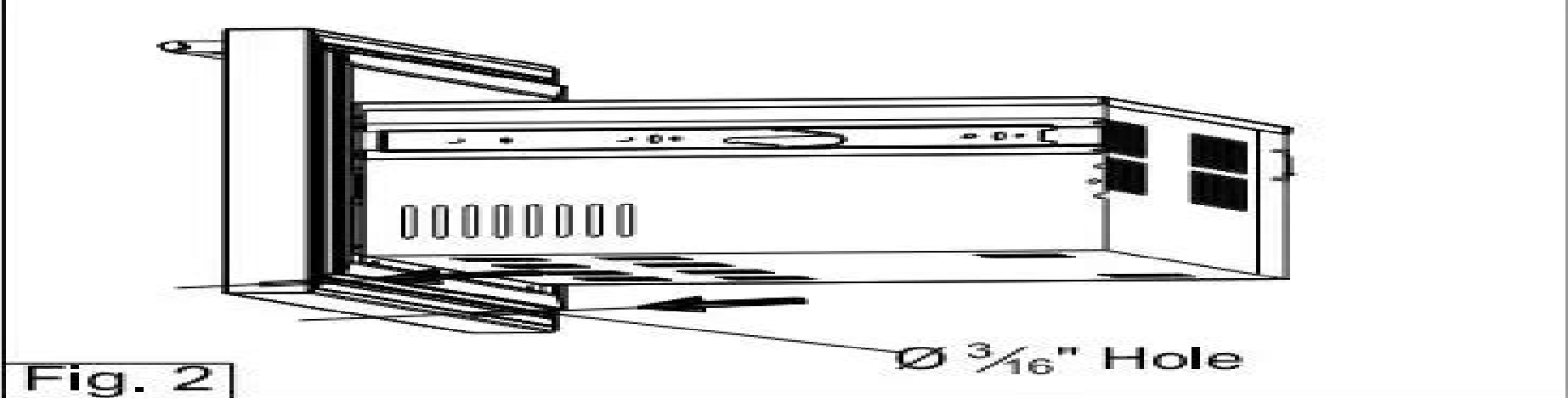


Fig. 2

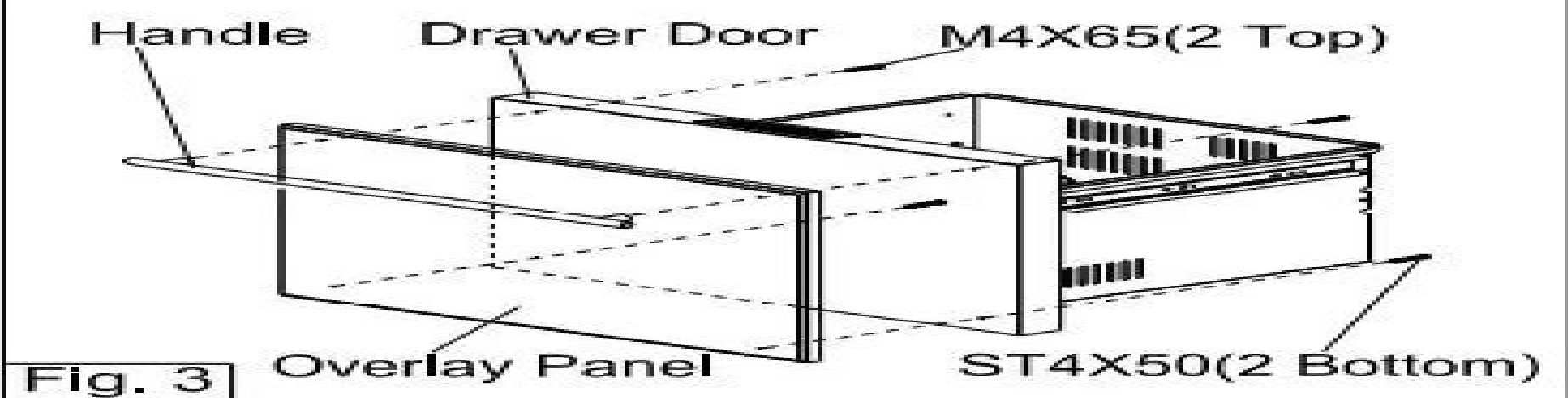


Fig. 3

# Summit Bi605fr Refrigerators Owners Manual

**Yicheng Fang**



**Summit Bi605fr Refrigerators Owners Manual:**

**The New Frigidaire Refrigerator** ,1960 Covers the Cyclamatic C1020 De luxe 1130 Master 870 Master 710 De luxe 870 De luxe 710 and Master 510 models

Thank you very much for reading **Summit Bi605fr Refrigerators Owners Manual**. As you may know, people have search hundreds times for their chosen readings like this Summit Bi605fr Refrigerators Owners Manual, but end up in harmful downloads.

Rather than reading a good book with a cup of coffee in the afternoon, instead they juggled with some malicious virus inside their laptop.

Summit Bi605fr Refrigerators Owners Manual is available in our digital library an online access to it is set as public so you can download it instantly.

Our book servers spans in multiple countries, allowing you to get the most less latency time to download any of our books like this one.

Merely said, the Summit Bi605fr Refrigerators Owners Manual is universally compatible with any devices to read

<https://movement.livewellcolorado.org/public/scholarship/fetch.php/American%20Odyssey%20Unit%20Test%20With%20Answer%20Key.pdf>

## **Table of Contents Summit Bi605fr Refrigerators Owners Manual**

1. Understanding the eBook Summit Bi605fr Refrigerators Owners Manual
  - The Rise of Digital Reading Summit Bi605fr Refrigerators Owners Manual
  - Advantages of eBooks Over Traditional Books
2. Identifying Summit Bi605fr Refrigerators Owners Manual
  - Exploring Different Genres
  - Considering Fiction vs. Non-Fiction
  - Determining Your Reading Goals
3. Choosing the Right eBook Platform
  - Popular eBook Platforms
  - Features to Look for in an Summit Bi605fr Refrigerators Owners Manual
  - User-Friendly Interface

4. Exploring eBook Recommendations from Summit Bi605fr Refrigerators Owners Manual
  - Personalized Recommendations
  - Summit Bi605fr Refrigerators Owners Manual User Reviews and Ratings
  - Summit Bi605fr Refrigerators Owners Manual and Bestseller Lists
5. Accessing Summit Bi605fr Refrigerators Owners Manual Free and Paid eBooks
  - Summit Bi605fr Refrigerators Owners Manual Public Domain eBooks
  - Summit Bi605fr Refrigerators Owners Manual eBook Subscription Services
  - Summit Bi605fr Refrigerators Owners Manual Budget-Friendly Options
6. Navigating Summit Bi605fr Refrigerators Owners Manual eBook Formats
  - ePub, PDF, MOBI, and More
  - Summit Bi605fr Refrigerators Owners Manual Compatibility with Devices
  - Summit Bi605fr Refrigerators Owners Manual Enhanced eBook Features
7. Enhancing Your Reading Experience
  - Adjustable Fonts and Text Sizes of Summit Bi605fr Refrigerators Owners Manual
  - Highlighting and Note-Taking Summit Bi605fr Refrigerators Owners Manual
  - Interactive Elements Summit Bi605fr Refrigerators Owners Manual
8. Staying Engaged with Summit Bi605fr Refrigerators Owners Manual
  - Joining Online Reading Communities
  - Participating in Virtual Book Clubs
  - Following Authors and Publishers Summit Bi605fr Refrigerators Owners Manual
9. Balancing eBooks and Physical Books Summit Bi605fr Refrigerators Owners Manual
  - Benefits of a Digital Library
  - Creating a Diverse Reading Collection Summit Bi605fr Refrigerators Owners Manual
10. Overcoming Reading Challenges
  - Dealing with Digital Eye Strain
  - Minimizing Distractions
  - Managing Screen Time
11. Cultivating a Reading Routine Summit Bi605fr Refrigerators Owners Manual
  - Setting Reading Goals Summit Bi605fr Refrigerators Owners Manual
  - Carving Out Dedicated Reading Time

12. Sourcing Reliable Information of Summit Bi605fr Refrigerators Owners Manual
  - Fact-Checking eBook Content of Summit Bi605fr Refrigerators Owners Manual
  - Distinguishing Credible Sources
13. Promoting Lifelong Learning
  - Utilizing eBooks for Skill Development
  - Exploring Educational eBooks
14. Embracing eBook Trends
  - Integration of Multimedia Elements
  - Interactive and Gamified eBooks

### **Summit Bi605fr Refrigerators Owners Manual Introduction**

Summit Bi605fr Refrigerators Owners Manual Offers over 60,000 free eBooks, including many classics that are in the public domain. Open Library: Provides access to over 1 million free eBooks, including classic literature and contemporary works. Summit Bi605fr Refrigerators Owners Manual Offers a vast collection of books, some of which are available for free as PDF downloads, particularly older books in the public domain. Summit Bi605fr Refrigerators Owners Manual : This website hosts a vast collection of scientific articles, books, and textbooks. While it operates in a legal gray area due to copyright issues, its a popular resource for finding various publications. Internet Archive for Summit Bi605fr Refrigerators Owners Manual : Has an extensive collection of digital content, including books, articles, videos, and more. It has a massive library of free downloadable books. Free-eBooks Summit Bi605fr Refrigerators Owners Manual Offers a diverse range of free eBooks across various genres. Summit Bi605fr Refrigerators Owners Manual Focuses mainly on educational books, textbooks, and business books. It offers free PDF downloads for educational purposes. Summit Bi605fr Refrigerators Owners Manual Provides a large selection of free eBooks in different genres, which are available for download in various formats, including PDF. Finding specific Summit Bi605fr Refrigerators Owners Manual, especially related to Summit Bi605fr Refrigerators Owners Manual, might be challenging as theyre often artistic creations rather than practical blueprints. However, you can explore the following steps to search for or create your own Online Searches: Look for websites, forums, or blogs dedicated to Summit Bi605fr Refrigerators Owners Manual, Sometimes enthusiasts share their designs or concepts in PDF format. Books and Magazines Some Summit Bi605fr Refrigerators Owners Manual books or magazines might include. Look for these in online stores or libraries. Remember that while Summit Bi605fr Refrigerators Owners Manual, sharing copyrighted material without permission is not legal. Always ensure youre either creating your own or obtaining them from legitimate sources that allow sharing and downloading. Library Check if your local library offers eBook lending services. Many libraries have digital

catalogs where you can borrow Summit Bi605fr Refrigerators Owners Manual eBooks for free, including popular titles. Online Retailers: Websites like Amazon, Google Books, or Apple Books often sell eBooks. Sometimes, authors or publishers offer promotions or free periods for certain books. Authors Website Occasionally, authors provide excerpts or short stories for free on their websites. While this might not be the Summit Bi605fr Refrigerators Owners Manual full book, it can give you a taste of the authors writing style. Subscription Services Platforms like Kindle Unlimited or Scribd offer subscription-based access to a wide range of Summit Bi605fr Refrigerators Owners Manual eBooks, including some popular titles.

### **FAQs About Summit Bi605fr Refrigerators Owners Manual Books**

How do I know which eBook platform is the best for me? Finding the best eBook platform depends on your reading preferences and device compatibility. Research different platforms, read user reviews, and explore their features before making a choice. Are free eBooks of good quality? Yes, many reputable platforms offer high-quality free eBooks, including classics and public domain works. However, make sure to verify the source to ensure the eBook credibility. Can I read eBooks without an eReader? Absolutely! Most eBook platforms offer webbased readers or mobile apps that allow you to read eBooks on your computer, tablet, or smartphone. How do I avoid digital eye strain while reading eBooks? To prevent digital eye strain, take regular breaks, adjust the font size and background color, and ensure proper lighting while reading eBooks. What the advantage of interactive eBooks? Interactive eBooks incorporate multimedia elements, quizzes, and activities, enhancing the reader engagement and providing a more immersive learning experience. Summit Bi605fr Refrigerators Owners Manual is one of the best book in our library for free trial. We provide copy of Summit Bi605fr Refrigerators Owners Manual in digital format, so the resources that you find are reliable. There are also many Ebooks of related with Summit Bi605fr Refrigerators Owners Manual. Where to download Summit Bi605fr Refrigerators Owners Manual online for free? Are you looking for Summit Bi605fr Refrigerators Owners Manual PDF? This is definitely going to save you time and cash in something you should think about. If you trying to find then search around for online. Without a doubt there are numerous these available and many of them have the freedom. However without doubt you receive whatever you purchase. An alternate way to get ideas is always to check another Summit Bi605fr Refrigerators Owners Manual. This method for see exactly what may be included and adopt these ideas to your book. This site will almost certainly help you save time and effort, money and stress. If you are looking for free books then you really should consider finding to assist you try this. Several of Summit Bi605fr Refrigerators Owners Manual are for sale to free while some are payable. If you arent sure if the books you would like to download works with for usage along with your computer, it is possible to download free trials. The free guides make it easy for someone to free access online library for download books to your device. You can get free download on free trial

for lots of books categories. Our library is the biggest of these that have literally hundreds of thousands of different products categories represented. You will also see that there are specific sites catered to different product types or categories, brands or niches related with Summit Bi605fr Refrigerators Owners Manual. So depending on what exactly you are searching, you will be able to choose e books to suit your own need. Need to access completely for Campbell Biology Seventh Edition book? Access Ebook without any digging. And by having access to our ebook online or by storing it on your computer, you have convenient answers with Summit Bi605fr Refrigerators Owners Manual To get started finding Summit Bi605fr Refrigerators Owners Manual, you are right to find our website which has a comprehensive collection of books online. Our library is the biggest of these that have literally hundreds of thousands of different products represented. You will also see that there are specific sites catered to different categories or niches related with Summit Bi605fr Refrigerators Owners Manual So depending on what exactly you are searching, you will be able to choose ebook to suit your own need. Thank you for reading Summit Bi605fr Refrigerators Owners Manual. Maybe you have knowledge that, people have search numerous times for their favorite readings like this Summit Bi605fr Refrigerators Owners Manual, but end up in harmful downloads. Rather than reading a good book with a cup of coffee in the afternoon, instead they juggled with some harmful bugs inside their laptop. Summit Bi605fr Refrigerators Owners Manual is available in our book collection an online access to it is set as public so you can download it instantly. Our digital library spans in multiple locations, allowing you to get the most less latency time to download any of our books like this one. Merely said, Summit Bi605fr Refrigerators Owners Manual is universally compatible with any devices to read.

### **Find Summit Bi605fr Refrigerators Owners Manual :**

[american odyssey unit test with answer key](#)

[bmw akpp repair manual](#)

[economics lipsey and chrystal](#)

*takeuchi tb1140 hydraulic excavator parts manual sn 51410002 and up*

[journey back from hell conversations wit](#)

[john von neumann and the origins of modern computing.](#)

*john von neumann mathematik und computerforschung facetten eines genies lebensgeschichte aus der wibenschaft*

*la charola una historia de los servicios de inteligencia en mexico*

*key of knowledge large print*

*2014 redcross lifeguarding test review sheet*

[83 honda goldwing service manual](#)



*how to list and sell real estate in the 21st century*  
case 821c wheel loader service parts catalogue manual instant  
*porsche 911 carrera 4 1989 1994 workshop repair manual*  
*peugeot 405 service repair workshop manual 1992 1997*

**Summit Bi605fr Refrigerators Owners Manual :**

the know nonsense guide to money heidi fiedler netgalley - May 24 2022

web dec 5 2017 full of fun and funny illustrations the know nonsense guide to money explains the basics of saving spending and other lessons in ways that kids will understand fuzzy on finances bamboozled by banks budgets and bitcoins

**the know nonsense guide to grammar an awesomely fun guide** - Feb 18 2022

web apr 1 2017 the know nonsense guide to grammar is an unforgettably funny grammar and literary device reference for kids featuring easy to grasp explanations and colorful illustrations fuzzy on punctuation bamboozled by adverbs perplexed by the difference between idioms and irony that s totally understandable

the know nonsense guide series by heidi fiedler goodreads - Feb 01 2023

web the know nonsense guide series 4 primary works 4 total works the know nonsense guide to grammar an awesomely fun guide to the way we use words by heidi fiedler 4 11 74 ratings 41 reviews 5 editions get kids excited about learning the know nonsense want to read

*the know nonsense guide to money an awesomely fun guide* - Oct 29 2022

web the know nonsense guide to money an awesomely fun guide to the way we use currency unnamed amazon com au books pdf the know nonsense guide to money by heidi fiedler - Jun 24 2022

web the know nonsense guide to money has your back on all things financial fiscal and flummoxing this easy to read guide is packed with simple definitions memorable examples and funny illustrations to make the way we use currency throughout the world something anyone can understand

the know nonsense guide to money an awesomely fun guide - Jun 05 2023

web apr 5 2022 full of fun and funny illustrations the know nonsense guide to money explains the basics of saving spending and other lessons in ways that kids will understand fuzzy on finances bamboozled by banks budgets and bitcoins perplexed by the difference between debit and credit cards

**buy the know nonsense guide to money an awesomely fun guide** - Sep 27 2022

web full of fun and funny illustrations the know nonsense guide to money explains the basics of saving spending and other lessons in ways that kids will understand fuzzy on finances bamboozled by banks budgets and bitcoins perplexed by the

difference between debit and credit cards

*the know nonsense guide to money vidualsource* - Aug 27 2022

web the know nonsense guide to money an awesomely fun guide to the world of finance is written by heidi fiedler and published by walter foster jr the digital and etextbook isbnns for the know nonsense guide to money are 9781633226340 1633226344 and the print isbnns are 9781633223943 1633223949 save up to 80

**the know nonsense guide to money an awesomely fun guide** - Sep 08 2023

web dec 5 2017 the know nonsense guide to money an awesomely fun guide to the world of finance heidi fiedler brendan kearney illustrator walter foster creative team 4 18 44 ratings27 reviews fuzzy on finances bamboozled by banks budgets and bitcoins perplexed by the difference between debit and credit cards

the know nonsense guide to money an awesomely fun guide - Dec 31 2022

web the know nonsense guide to money an awesomely fun guide to the world of finance fiedler heidi kearney brendan amazon sg books

*the know nonsense guide to money an awesomely fun guide* - Mar 22 2022

web money is a serious subject but that doesn't mean that learning about it can't be fun or funny this light hearted guide covers everything from the history of currency to what it means to earn spend save and borrow to what money habits make for long term money success it cheerfully explains money and finan

*the know nonsense guide to money an awesomely fun guide* - Apr 03 2023

web apr 5 2022 full of fun and funny illustrations the know nonsense guide to money explains the basics of saving spending and other lessons in ways that kids will understand fuzzy on finances bamboozled by banks budgets and bitcoins perplexed by the difference between debit and credit cards

*the know nonsense guide to money an awesomely fun guide* - Nov 29 2022

web abebooks com the know nonsense guide to money an awesomely fun guide to the world of finance know nonsense series 9780760379400 by fiedler heidi and a great selection of similar new used and collectible books available now at great prices

**the know nonsense guide to money an awesomely fun guide to alibris** - Apr 22 2022

web buy the know nonsense guide to money an awesomely fun guide to the world of finance by heidi fiedler brendan kearney illustrator online at alibris we have new and used copies available in 2 editions starting at 2 35 shop now

the know nonsense guide to money an awesomely fun guide - Oct 09 2023

web dec 5 2017 the know nonsense guide to money an awesomely fun guide to the world of finance know nonsense series fiedler heidi kearney brendan on amazon com free shipping on qualifying offers

*the know nonsense guide to money an awesomely fun guide* - Jul 26 2022

web the know nonsense guide to money an awesomely fun guide to the world of finance the know nonsense guide brendan kearney heidi fiedler walter foster creative team

*the know nonsense guide to money an awesomely fun guide* - Jul 06 2023

web full of fun and funny illustrations the know nonsense guide to money will explain the basics of saving spending and other lessons in ways that kids will understand fuzzy on finances bamboozled by banks budgets and bitcoins perplexed by the difference between debit and credit cards

the know nonsense guide to money an awesomely fun guide - Mar 02 2023

web dec 5 2017 the know nonsense guide to money an awesomely fun guide to the world of finance fiedler heidi kearney brendan 9781633223943 books amazon ca

*the know nonsense guide to money an awesomely fun guide* - May 04 2023

web dec 7 2017 full of fun and funny illustrations the know nonsense guide to money explains the basics of saving spending and other lessons in ways that kids will understand fuzzy on finances bamboozled by banks budgets and bitcoins perplexed by the difference between debit and credit cards

**the know nonsense guide to money the quarto group** - Aug 07 2023

web apr 5 2022 full of fun and funny illustrations the know nonsense guide to money explains the basics of saving spending and other lessons in ways that kids will understand fuzzy on finances bamboozled by banks budgets and bitcoins perplexed by the difference between debit and credit cards

il segreto di pulcinella l arte della pizza goodreads - Jul 14 2023

web may 13 2018 l arte della pizza il pizzaiolo non usa solo ingredienti e condimenti occorre tantissima passione sacrificio e determinazione la mancanza di queste emozioni porterebbe anche ad un pizzaiolo esperto un inutile perdita di tempo nel tentare di fare cio che fa chi ci mette il cuore anche utilizzando i migliori prodotti e i migliori sistemi

il libro sull arte della pizza il segreto di pulcinella facebook - Aug 03 2022

web il libro sull arte della pizza cui tutti parlano con piu di duemila copie ordinate la strada giusta per tutti coloro che hanno intenzione di

*menu pizzeria il segreto sannicola menupizza it* - Jan 28 2022

web scopri il menu di pizzeria il segreto sannicola indirizzo numero telefono email location metodi di pagamento orario di apertura storia e ricette della pizza in italia e nel mondo informazioni info menupizza it pizzeria a domicilio mappa pizzeria il segreto di pulcinella p repubblica 10 73017 sannicola

**il segreto di pulcinella benvenuti su il segreto di pulcinella** - May 12 2023

web libro professionale sulla pizza l arte nell arte l arte della pizza vademecum della pizza il segreto di pulcinella benvenuti

su il segreto di pulcinella l arte magica della pizza il segreto di pulcinella  
il libro dedicato all arte il segreto di pulcinella facebook - Jul 02 2022

web il libro dedicato all arte della pizza di cui tutti ne parlano per la sua straordinaria semplicità oltre duemila copie vendute senza nessuna

**segreto pulcinella larte pizza by anedda giuseppe abebooks** - Apr 11 2023

web l arte magica della pizza italiana il segreto di pulcinella italian edition by anedda giuseppe and a great selection of related books art and collectibles available now at abebooks com

**I arte magica della pizza italiana il segreto di pulcinella ebook** - Feb 09 2023

web l arte magica della pizza italiana il segreto di pulcinella ebook anedda giuseppe amazon it kindle store

**I arte magica della pizza italiana il segreto di pulcinella** - Jun 13 2023

web jun 10 2021 in questo volume riscontrerete le descrizioni dettagliate di tutti gli ingredienti e di molteplici impasti professionali per creare svariate tipologie di pizze l autore vi rivelerà come creare la pizza verace napoletana la romana la contemporanea la pizza in teglia gli impasti diretti indiretti e semidiretti come creare il lievito madre

*recensioni benvenuti su il segreto di pulcinella* - Sep 04 2022

web apr 13 2022 libro davvero ben fatto spiega meticolosamente l arte della pizza lo consiglio davvero a tutti coloro che vogliono entrare in questo meraviglioso mondo 38 francesco sinis lunedì 02 luglio 2018 19 34 mi sono fatto un bellissimo e utilissimo regalo un volume ben scritto semplice con descrizioni per niente articolate ben fatto maestro 37

*l arte magica della pizza italiana il segreto di pulcinella* - Dec 07 2022

web compra l arte magica della pizza italiana il segreto di pulcinella spedizione gratuita su ordini idonei passa al contenuto principale it in consegna a roma 00185 accedi per aggiornare la tua posizione libri seleziona la categoria in cui desideri effettuare la ricerca ricerca amazon it ciao accedi

9781471720482 *l arte magica della pizza italiana il segreto di* - Jan 08 2023

web abebooks com l arte magica della pizza italiana il segreto di pulcinella italian edition 9781471720482 by anedda giuseppe and a great selection of similar new used and collectible books available now at great prices

*sitemap benvenuti su il segreto di pulcinella* - Apr 30 2022

web libro professionale sulla pizza l arte nell arte l arte della pizza vademecum della pizza sitemap benvenuti su il segreto di pulcinella l arte magica della pizza il segreto di pulcinella

**I arte magica della pizza italiana il segreto di pulcinella by** - Mar 10 2023

web buy l arte magica della pizza italiana il segreto di pulcinella by anedda giuseppe online on amazon ae at best prices fast and free shipping free returns cash on delivery available on eligible purchase

il segreto di pulcinella facebook - Mar 30 2022

web facebook ta il segreto di pulcinella nin daha fazla içeriğini gör giriş yap veya yeni hesap oluştur facebook ta il segreto di pulcinella nin daha fazla içeriğini gör giriş yap hesabını mı unuttun veya yeni hesap oluştur Şimdi değil İlgili sayfalar pizza loca nocera inferiore pizzacı l arte della pizza

*l arte magica della pizza il segreto di pulcinella facebook* - Oct 05 2022

web il gruppo e stato aperto esclusivamente ai professionisti della pizza educati e che abbiano voglia di confrontarsi seriamente per il momento non ci sono progetti di l arte magica della pizza il segreto di pulcinella

**aggiornamento delle recensioni del segreto di pulcinella facebook** - Dec 27 2021

web aggiornamento delle recensioni tutti felici e contenti per l acquisto grazie a tutti per le belle parole

**l arte magica della pizza italiana il segreto di pulcinella** - Aug 15 2023

web l arte magica della pizza italiana il segreto di pulcinella copertina flessibile 21 aprile 2022 spedizione gratuita con consegna presso punti di ritiro se disponibile per il tuo ordine dettagli

*l arte magica della pizza italiana il segreto di pulcinella* - Nov 06 2022

web compre online l arte magica della pizza italiana il segreto di pulcinella de anedda giuseppe na amazon frete grátis em milhares de produtos com o amazon prime encontre diversos livros escritos por anedda giuseppe com ótimos preços

**il segreto di pulcinella pizzeria e friggitoria** - Feb 26 2022

web il segreto di pulcinella il nostro impasto é il nostro vanto viene creato mixando farine diverse semintegrali di tipo 1 cotto in un forno a 450 gradi che rende la nostra pizza morbida elastica friabile e digeribilissima

il segreto di pulcinella l arte della pizza book - Jun 01 2022

web segreto di pulcinella l arte della pizza a literary masterpiece penned by a renowned author readers embark on a transformative journey unlocking the secrets and untapped potential embedded within each word

*tender document printer maintenance and repairs 2023* - Dec 28 2021

web as this tender document printer maintenance and repairs it ends happening physical one of the favored books tender document printer maintenance and repairs collections that we have this is why you remain in the best website to see the incredible ebook to have kenya gazette 1980 08 08 the kenya gazette is an official publication of the

*tender for maintenance and servicing of* - Oct 06 2022

web tender for maintenance and servicing of computers laptops photocopiers printers and air conditioners framework agreement for fy 2019 2020 2021 cam ft 09 2019 2020 2021 closing date monday 4th november 2019 at 11 00 am the tender document comprises of the

*tender document printer maintenance and repairs pdf* - Jan 09 2023

web tender document printer maintenance and repairs home maintenance log book nov 05 2021 home maintenance and repair tracker are you struggling to find warranty and repairs information of the items in your house are you selling your house and need a record of all the maintenance cleaning and repairs that you have done over the years

**tender document printer maintenance and repairs copy** - Apr 12 2023

web maintenance contract amc for tender document printer maintenance and tender document for comprehensive annual maintenance contract of desktop computer laptop printer scanner peripherals page 3 27

**printer repair tenders from worldwide 2023 bid detail** - Aug 16 2023

web sep 1 2023 we found 10 global printer repair tenders from the public procurement domain worldwide view latest global tenders for printer repair from africa americas asia australia europe middle east and other countries worldwide

tender translation into turkish examples english reverso - Feb 27 2022

web translations in context of tender in english turkish from reverso context legal tender tender age tender documents tender process won the tender mesa s warranty obligation shall be discharged upon tender of replacement or repair mesa nın garanti yükümlülüğü

**tender document printer maintenance and repairs ftp bonide** - Jan 29 2022

web tender document printer maintenance and repairs rfp number rfp 01 2017 2018 description appointment of a annual maintenance rate contract of computer hardw tender

**tender document printer maintenance and repairs pdf full pdf** - Mar 11 2023

web behind them this is the goal of this book to this end we will be looking at how best to network the print media industry with its customers production partners and suppliers this networking process covers the production data that can be transferred entirely digitally as far as the press stage i e the digital page to be

*tender document printer maintenance and repairs pdf* - Aug 04 2022

web may 14 2023 document printer maintenance and repairs can be one of the options to accompany you once having further time it will not waste your time take on me the e book will no question aerate you extra concern to read

**service of maintenance and repair of printers photocopiers** - Nov 07 2022

web may 1 2022 bidding planning service of maintenance and repair of printers photocopiers and office equipment call for proposals may 2022 global estimated amount 120 000 000 service of maintenance and

**tender document printer maintenance and repairs** - Jun 02 2022

web jun 14 2023 tender document printer maintenance and repairs ebook title tender document printer maintenance and repairs exclusively available in pdf doc read and download tender document printer maintenance and repairs free ebooks in pdf format toyota echo relay diagram

**republic of kenya nairobi tender for provision of** - Mar 31 2022

web 2 2 3 the procuring entity shall allow the tenderer to review the tender document free of charge before purchase 2 3 contents of tender documents 2 3 1 the tender document comprises of the documents listed below and addenda issued in accordance with clause 6 of these instructions to tenders i instructions to tenderers

tender document printer maintenance and repairs - Sep 05 2022

web tender document printer maintenance and repairs 1 tender document printer maintenance and repairs kenya institute of curriculum development tender document tender document for national treasury etender tender document for comprehensive annual maintenance road construction repairs and

**government printer repair tender online 2022 tendersontime** - Jul 03 2022

web latest government tenders for printer repair register to get a free trial with unlimited tender download option subscribed members get daily email alerts of printer repair online tenders

*tender document no 71 2023 siehs org* - Jul 15 2023

web siehs invites sealed bids on single stage one envelope procedure for the printer repair maintenance service from well reputed companies registered with federal provincial tax authorities tender 71

**tender document printer maintenance and repairs pdf** - May 01 2022

web mar 23 2023 tender document printer maintenance and repairs but end up in malicious downloads rather than enjoying a good book with a cup of coffee in the afternoon instead they are facing with some infectious bugs inside their laptop tender document printer maintenance and repairs is available in our digital library an online

*tender document printer maintenance and repairs* - Dec 08 2022

web jun 27 2023 tender document printer maintenance and repairs it sounds good when knowing the tender document printer maintenance and repairs in this website rfp number raf 2012 00014

tender document printer maintenance and repairs book - Feb 10 2023

web maintenance cycle the authors of this report look at the effects the frp has had thus far and determine whether maintenance resources are meeting maintenance demands and whether related industry resources have been coordinated effectively effective databases for text document management nov 26 2019 focused on the latest research on

**tender document printer maintenance and repairs studylib net** - Jun 14 2023

web description appointment of a service provider to provide printer maintenance and repairs for the road accident fund raf for a period of three years publish date 20 january 2012 validiy period 90 days from the closing date closing date 13 february 2012 closing time 11 00 am

**fillable online tender document printer maintenance and repairs** - May 13 2023

web get the free tender document printer maintenance and repairs competition