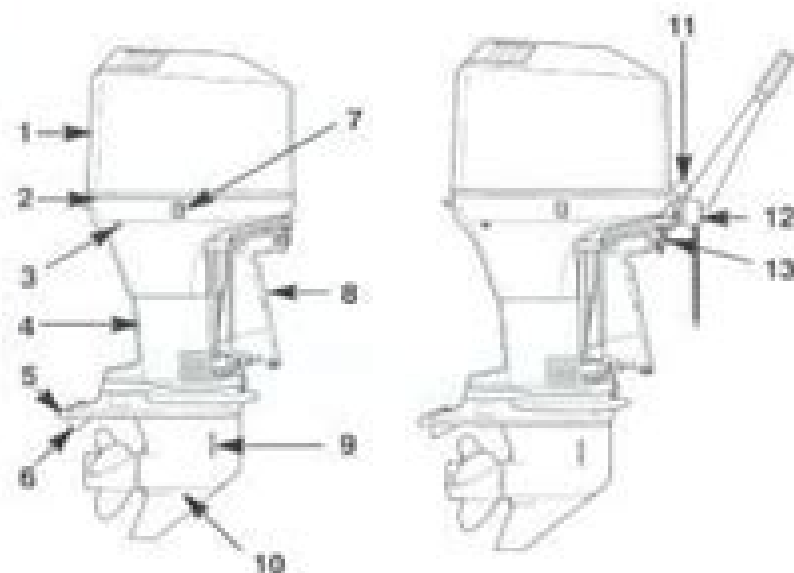


## GENERAL INFORMATION

### SPECIFICATIONS

Models	75	90	100	115	125
Horsepower	75	90	100	115	125
Kilowatts	56	67	75	86	93
Full Throttle RPM Range	4750-5250	5000-5500		4750-5250	
Idle Speed in Forward Gear	650-700 RPM				
Number of Cylinders	3		4		
Piston Displacement	84.57 cu. in. (1385.8cc)		112.76 cu. in. (1847.8cc)		
Cylinder Bore	3.500 in. (88.9mm)				
Stroke	2.930 in. (74mm)				
Recommended Spark Plug	NGK BL44N-2		NGK BP6H-N-10		
Spark Plug Gap	Surface Gap		.040 in. (1.0mm)		
Gear Ratio	2.3:1		2.07:1		
Recommended Gasoline	Refer to Fuel Section				
Recommended Oil	Refer to Fuel Section				
Gear Case Lubricant Capacity	22.5 fl. oz. (666 ml)				
Battery Rating	630 Marine Cranking Amps (MCA) or 490 Cold Cranking Amps (CCA)				

## GENERAL INFORMATION



### COMPONENT IDENTIFICATION

- |  |                                       |
|--|---------------------------------------|
| 1. Top Cowl                                  | 8. Transom Brackets                   |
| 2. Bottom Cowl                               | 9. Cooling Water Intake               |
| 3. Water Pump Indicator Hole                 | 10. Gear Case                         |
| 4. Drive Shaft Housing                       | 11. Shift Handle                      |
| 5. Anti-Ventilation Plate                    | 12. Lanyard Stop Switch               |
| 6. Trim Tab                                  | 13. Steering Friction Adjustment Knob |
| 7. Auxiliary Tilt Switch (Power Trim Models) |                                       |

# Website For Yamaha Outboard Motor Manual

**Richard Bailey**



## Website For Yamaha Outboard Motor Manual:

Win the Game of Googleopoly Sean V. Bradley,2015-01-21 Rank higher in search results with this guide to SEO and content building supremacy Google is not only the number one search engine in the world it is also the number one website in the world Only 5 percent of site visitors search past the first page of Google so if you re not in those top ten results you are essentially invisible Winning the Game of Googleopoly is the ultimate roadmap to Page One Domination The POD strategy is what gets you on that super critical first page of Google results by increasing your page views You ll learn how to shape your online presence for Search Engine Optimization effectively speaking Google s language to become one of the top results returned for relevant queries This invaluable resource provides a plan that is universal to any business in any industry and provides expert guidance on tailoring the strategy to best suit your organization Coverage includes an explanation of the mechanics of a search and how to tie your website paid ads online reputation social media content images and video into a winning SEO strategy that pushes you to the front of the line The Page One Domination strategy incorporates all the ways in which you can beef up your Internet presence and online reputation This book is a clear straightforward guide that will knock down the silos of the Internet and teach you exactly how to integrate all aspects of content creation into a synergistic SEO strategy Understand how search engines return results Design an effective all encompassing SEO strategy Create the content that gets page views and improves rank Optimize social media and video as part of an overall SEO plan The rules of SEO are always changing and following outdated rules can actually work against you burying you at the bottom of the pile This book will spark a paradigm shift in how you think about SEO and gives you the tools you need to craft a strategy tailored to your specific market To be successful you need to be on page one of Google and Winning the Game of Googleopoly can show you how to get there Seloc's Yamaha Outboard Joan Coles,Clarence W. Coles,1987 Boating ,1988-07

**Cruising World** ,1995-01 Subject Guide to Books in Print ,1971 *Directions* ,1980 *Service Manual* ,197?

Going Ashore Made Easy American Sailing,Lisa & Andy Batchelor, Any boater will tell you that sometimes getting ashore on a dinghy can be an adventure Reading this book will help you stay safe and have fun as you use your dinghy to connect with land and other vessels Going Ashore Made Easy is also appropriate for anyone entering the market for a new dinghy and outboard as a standalone vessel for recreation or transportation or as a tender to a larger boat It is the most comprehensive and up to date book on the topic in fact it may be the only book to help a prospective buyer negotiate the variety of choices available This book will help novice and seasoned dinghy operators to safely rig operate transport and maintain their investment and to employ the craft for a wide variety of useful and purely fun activities perhaps more than you ever imagined Given the breadth of information on outboard motors this book is valuable to any mariner who uses an outboard motor to propel their sailboat or powerboat Yamaha Outboard Shop Manual Editors of Haynes Manuals,2014-12-15 Yamaha 75 HP 80 HP 90 HP 100 HP 115 HP Inline 4 and 200 HP 225 HP and 250 HP 3 3L V6 Outboards manual Includes Color Wiring

Diagrams Clymer Marine and PWC manuals are the 1 source for DIY maintenance troubleshooting and repair With step by step procedures combined with detailed photography and extensive use of exploded parts views Clymer manuals are a must have tool for the do it yourselfer Models Covered Yamaha 75 HP 2000 20013 Yamaha 80 HP 2000 2013 Yamaha 90 HP 2000 2013 Yamaha 100 HP 2000 2013 Yamaha 115 HP 2000 2013 Yamaha 200 HP 2000 2013 Yamaha 225 HP 2000 2013 Yamaha 250 HP 2000 2013 BoldAds S.A.D.C.C. Trade Directory ,1992 Yamaha Outboard Joan Coles,Clarence W. Coles,1998-03 SELOC Marine maintenance and repair manuals offer the most comprehensive authoritative information available for outboard inboard stern drive and diesel engines as well as personal watercraft SELOC has been the leading source of how to information for the marine industry since 1974 Designed and written to serve the needs of the professional mechanic do it yourself boat enthusiast instructor and student these manuals are based on actual teardowns done by Chilton Marine s editors authors in our on site facility Providing complete coverage on everything from basic maintenance to engine overhaul every manual features Simple to follow step by step illustrated procedures Hundreds of exploded drawings photographs and tables Troubleshooting sections accurate specifications and wiring diagrams Recognized and used by technical trade schools as well as the U S military Covers all 115 225 Hp V4 and V6 2 stroke models Also includes advanced oil injection and counter rotating drive Nearly 750 illustrations **Boating** ,2007-11 **Kompass** ,2002 MotorBoating ,1998-03 *Road and Track* ,2005 *Yamaha Outboard Motor, Model P-165* ,1972\* Seloc Yamaha Outboards Seloc,2004 1701 Covers all 2 250 hp 1 4 cylinder V4 and V6 models 2 stroke and 4 stroke models includes jet drives **Cruising World** ,1998-01 *Popular Mechanics* ,1999-12 Popular Mechanics inspires instructs and influences readers to help them master the modern world Whether it s practical DIY home improvement tips gadgets and digital technology information on the newest cars or the latest breakthroughs in science PM is the ultimate guide to our high tech lifestyle **Diver** ,1983

Immerse yourself in heartwarming tales of love and emotion with its touching creation, Experience Love's Journey in **Website For Yamaha Outboard Motor Manual** . This emotionally charged ebook, available for download in a PDF format ( \*), is a celebration of love in all its forms. Download now and let the warmth of these stories envelop your heart.

[https://movement.livewellcolorado.org/About/detail/Download\\_PDFS/the\\_funniest\\_people\\_in\\_families\\_volume\\_anecdotes\\_english\\_edition.pdf](https://movement.livewellcolorado.org/About/detail/Download_PDFS/the_funniest_people_in_families_volume_anecdotes_english_edition.pdf)

## **Table of Contents Website For Yamaha Outboard Motor Manual**

1. Understanding the eBook Website For Yamaha Outboard Motor Manual
  - The Rise of Digital Reading Website For Yamaha Outboard Motor Manual
  - Advantages of eBooks Over Traditional Books
2. Identifying Website For Yamaha Outboard Motor Manual
  - Exploring Different Genres
  - Considering Fiction vs. Non-Fiction
  - Determining Your Reading Goals
3. Choosing the Right eBook Platform
  - Popular eBook Platforms
  - Features to Look for in an Website For Yamaha Outboard Motor Manual
  - User-Friendly Interface
4. Exploring eBook Recommendations from Website For Yamaha Outboard Motor Manual
  - Personalized Recommendations
  - Website For Yamaha Outboard Motor Manual User Reviews and Ratings
  - Website For Yamaha Outboard Motor Manual and Bestseller Lists
5. Accessing Website For Yamaha Outboard Motor Manual Free and Paid eBooks
  - Website For Yamaha Outboard Motor Manual Public Domain eBooks
  - Website For Yamaha Outboard Motor Manual eBook Subscription Services
  - Website For Yamaha Outboard Motor Manual Budget-Friendly Options

6. Navigating Website For Yamaha Outboard Motor Manual eBook Formats
  - ePub, PDF, MOBI, and More
  - Website For Yamaha Outboard Motor Manual Compatibility with Devices
  - Website For Yamaha Outboard Motor Manual Enhanced eBook Features
7. Enhancing Your Reading Experience
  - Adjustable Fonts and Text Sizes of Website For Yamaha Outboard Motor Manual
  - Highlighting and Note-Taking Website For Yamaha Outboard Motor Manual
  - Interactive Elements Website For Yamaha Outboard Motor Manual
8. Staying Engaged with Website For Yamaha Outboard Motor Manual
  - Joining Online Reading Communities
  - Participating in Virtual Book Clubs
  - Following Authors and Publishers Website For Yamaha Outboard Motor Manual
9. Balancing eBooks and Physical Books Website For Yamaha Outboard Motor Manual
  - Benefits of a Digital Library
  - Creating a Diverse Reading Collection Website For Yamaha Outboard Motor Manual
10. Overcoming Reading Challenges
  - Dealing with Digital Eye Strain
  - Minimizing Distractions
  - Managing Screen Time
11. Cultivating a Reading Routine Website For Yamaha Outboard Motor Manual
  - Setting Reading Goals Website For Yamaha Outboard Motor Manual
  - Carving Out Dedicated Reading Time
12. Sourcing Reliable Information of Website For Yamaha Outboard Motor Manual
  - Fact-Checking eBook Content of Website For Yamaha Outboard Motor Manual
  - Distinguishing Credible Sources
13. Promoting Lifelong Learning
  - Utilizing eBooks for Skill Development
  - Exploring Educational eBooks
14. Embracing eBook Trends
  - Integration of Multimedia Elements

- Interactive and Gamified eBooks

## **Website For Yamaho Outboard Motor Manual Introduction**

In this digital age, the convenience of accessing information at our fingertips has become a necessity. Whether its research papers, eBooks, or user manuals, PDF files have become the preferred format for sharing and reading documents. However, the cost associated with purchasing PDF files can sometimes be a barrier for many individuals and organizations. Thankfully, there are numerous websites and platforms that allow users to download free PDF files legally. In this article, we will explore some of the best platforms to download free PDFs. One of the most popular platforms to download free PDF files is Project Gutenberg. This online library offers over 60,000 free eBooks that are in the public domain. From classic literature to historical documents, Project Gutenberg provides a wide range of PDF files that can be downloaded and enjoyed on various devices. The website is user-friendly and allows users to search for specific titles or browse through different categories. Another reliable platform for downloading Website For Yamaho Outboard Motor Manual free PDF files is Open Library. With its vast collection of over 1 million eBooks, Open Library has something for every reader. The website offers a seamless experience by providing options to borrow or download PDF files. Users simply need to create a free account to access this treasure trove of knowledge. Open Library also allows users to contribute by uploading and sharing their own PDF files, making it a collaborative platform for book enthusiasts. For those interested in academic resources, there are websites dedicated to providing free PDFs of research papers and scientific articles. One such website is Academia.edu, which allows researchers and scholars to share their work with a global audience. Users can download PDF files of research papers, theses, and dissertations covering a wide range of subjects. Academia.edu also provides a platform for discussions and networking within the academic community. When it comes to downloading Website For Yamaho Outboard Motor Manual free PDF files of magazines, brochures, and catalogs, Issuu is a popular choice. This digital publishing platform hosts a vast collection of publications from around the world. Users can search for specific titles or explore various categories and genres. Issuu offers a seamless reading experience with its user-friendly interface and allows users to download PDF files for offline reading. Apart from dedicated platforms, search engines also play a crucial role in finding free PDF files. Google, for instance, has an advanced search feature that allows users to filter results by file type. By specifying the file type as "PDF," users can find websites that offer free PDF downloads on a specific topic. While downloading Website For Yamaho Outboard Motor Manual free PDF files is convenient, its important to note that copyright laws must be respected. Always ensure that the PDF files you download are legally available for free. Many authors and publishers voluntarily provide free PDF versions of their work, but its essential to be cautious and verify the authenticity of the source before downloading Website For Yamaho Outboard Motor Manual. In conclusion, the internet offers numerous platforms and websites that allow users to

download free PDF files legally. Whether its classic literature, research papers, or magazines, there is something for everyone. The platforms mentioned in this article, such as Project Gutenberg, Open Library, Academia.edu, and Issuu, provide access to a vast collection of PDF files. However, users should always be cautious and verify the legality of the source before downloading Website For Yamaha Outboard Motor Manual any PDF files. With these platforms, the world of PDF downloads is just a click away.

### **FAQs About Website For Yamaha Outboard Motor Manual Books**

How do I know which eBook platform is the best for me? Finding the best eBook platform depends on your reading preferences and device compatibility. Research different platforms, read user reviews, and explore their features before making a choice. Are free eBooks of good quality? Yes, many reputable platforms offer high-quality free eBooks, including classics and public domain works. However, make sure to verify the source to ensure the eBook credibility. Can I read eBooks without an eReader? Absolutely! Most eBook platforms offer webbased readers or mobile apps that allow you to read eBooks on your computer, tablet, or smartphone. How do I avoid digital eye strain while reading eBooks? To prevent digital eye strain, take regular breaks, adjust the font size and background color, and ensure proper lighting while reading eBooks. What the advantage of interactive eBooks? Interactive eBooks incorporate multimedia elements, quizzes, and activities, enhancing the reader engagement and providing a more immersive learning experience. Website For Yamaha Outboard Motor Manual is one of the best book in our library for free trial. We provide copy of Website For Yamaha Outboard Motor Manual in digital format, so the resources that you find are reliable. There are also many Ebooks of related with Website For Yamaha Outboard Motor Manual. Where to download Website For Yamaha Outboard Motor Manual online for free? Are you looking for Website For Yamaha Outboard Motor Manual PDF? This is definitely going to save you time and cash in something you should think about. If you trying to find then search around for online. Without a doubt there are numerous these available and many of them have the freedom. However without doubt you receive whatever you purchase. An alternate way to get ideas is always to check another Website For Yamaha Outboard Motor Manual. This method for see exactly what may be included and adopt these ideas to your book. This site will almost certainly help you save time and effort, money and stress. If you are looking for free books then you really should consider finding to assist you try this. Several of Website For Yamaha Outboard Motor Manual are for sale to free while some are payable. If you arent sure if the books you would like to download works with for usage along with your computer, it is possible to download free trials. The free guides make it easy for someone to free access online library for download books to your device. You can get free download on free trial for lots of books categories. Our library is the biggest of these that have literally hundreds of thousands of different products



categories represented. You will also see that there are specific sites catered to different product types or categories, brands or niches related with Website For Yamaho Outboard Motor Manual. So depending on what exactly you are searching, you will be able to choose e books to suit your own need. Need to access completely for Campbell Biology Seventh Edition book? Access Ebook without any digging. And by having access to our ebook online or by storing it on your computer, you have convenient answers with Website For Yamaho Outboard Motor Manual To get started finding Website For Yamaho Outboard Motor Manual, you are right to find our website which has a comprehensive collection of books online. Our library is the biggest of these that have literally hundreds of thousands of different products represented. You will also see that there are specific sites catered to different categories or niches related with Website For Yamaho Outboard Motor Manual So depending on what exactly you are searching, you will be able to choose ebook to suit your own need. Thank you for reading Website For Yamaho Outboard Motor Manual. Maybe you have knowledge that, people have search numerous times for their favorite readings like this Website For Yamaho Outboard Motor Manual, but end up in harmful downloads. Rather than reading a good book with a cup of coffee in the afternoon, instead they juggled with some harmful bugs inside their laptop. Website For Yamaho Outboard Motor Manual is available in our book collection an online access to it is set as public so you can download it instantly. Our digital library spans in multiple locations, allowing you to get the most less latency time to download any of our books like this one. Merely said, Website For Yamaho Outboard Motor Manual is universally compatible with any devices to read.

### **Find Website For Yamaho Outboard Motor Manual :**

[the funniest people in families volume anecdotes english edition](#)

**the frozen heart english edition**

~~the fifth sacred thing~~

**the fatimid vizierate 969 1172**

[the fetish xmas series laste chance bondage inc books 28 30](#)

**the flowers of julius steinholt english edition**

[the francis a drexel family](#)

*the eye of shiva the project book 8*

[the extermination of big barney sahs](#)

~~the druid series volumes 4 6~~

~~the fault in our stars john green~~

**the endocrine system chapter 9 answer key**

[the eyes of mikra](#)

[the elements of counseling children and adolescents](#)

[the erotic adventures of brown shugah](#)

## **Website For Yamaha Outboard Motor Manual :**

**richard strauss s elektra studies in musical genes** - Oct 27 2022

web elektra was the fourth of fifteen operas by strauss and opened his successful partnership with the librettist hugo von hofmannsthal gilliam s study of this major work examines its musical historical context and also provides a detailed analysis of some of its musical features he establishesa chronology

**richard strauss s elektra studies in musical genes pdf gcca** - Mar 20 2022

web mar 22 2023 stanley sadie s brief guide to music kenneth d keaton 1990 the cambridge companion to richard strauss charles youmans 2010 11 18 richard strauss is a composer much loved among audiences throughout the world both in the opera house and the concert hall despite this popularity strauss was for many years

[the musical language of elektra a study in chromatic](#) - Feb 28 2023

web abstract the opera elektra occupies a pivotal position in richard strauss oeuvre composed in 1906 08 and directly preceding der rosenkavalier it represents the culmination of the trend toward greater harmonic and textural complexity in his works

*richard strauss s elektra studies in musical genesis structure* - Sep 06 2023

web aug 1 1996 he establishes a chronology of the evolution of the opera and places it in the larger framework of german opera of the time his detailed examination of the sketchbooks enables him to offer fresh insight into strauss s use of motifs and overall tonal structure

[studies in musical genesis structure and interpretation ser richard](#) - Jun 22 2022

web find many great new used options and get the best deals for studies in musical genesis structure and interpretation ser richard strauss s elektra by bryan gilliam 1996 uk trade paper at the best online prices at ebay free shipping for many products richard strauss s elektra by bryan gilliam 1996 uk trade paper be the first to

*richard strauss s elektra synaptic central college* - Jan 30 2023

web may 29 2019 richard strauss s elektra by brandon t mennenoh 15 mus 212 music history baroque to modern like in tristan and isolde the dissonances in the opera are not resolved until the final scene 1 in a critical study of strauss s elektra derrick puffett says strauss s tonal plan presents a character and a state of mind

**richard strauss s elektra studies in musical genesis structure** - Sep 25 2022

web richard strauss s elektra studies in musical genesis structure interpretation by gilliam bryan at abebooks co uk isbn 10 0198166028 isbn 13 9780198166023 clarendon press 1996 softcover

*richard strauss s elektra studies in musical genesis and* - Nov 27 2022

web richard strauss s elektra studies in musical genesis and structure hardcover gilliam bryan 3 avg rating 1 ratings by goodreads hardcover isbn 10 0193132141 isbn 13 9780193132146 publisher oxford university press 1992 this specific isbn edition is currently not available view all copies of this isbn edition synopsis

*richard strauss s elektra studies in musical genesis and structure* - Jul 04 2023

web richard strauss s elektra studies in musical genesis and structure 00 00 bryan gilliam 000 oxford university press usa 000 1996 08 01 00 284 00 usd 100 00 00 paperback isbn 9780198166023 0000 000000 00 000 000 00000 000 00 0000

**richard strauss s elektra studies in musical genes** - Jul 24 2022

web it is your completely own become old to take action reviewing habit among guides you could enjoy now is richard strauss s elektra studies in musical genes below richard strauss s elektra studies in musical genes downloaded from neurocme med ucla edu by guest noble burns the la scala encyclopedia of the opera univ of california press

**richard strauss s elektra studies in musical genesis structure** - Apr 20 2022

web richard strauss s elektra studies in musical genesis structure interpretation von gilliam bryan isbn 10 0198166028 isbn 13 9780198166023 clarendon press 1996 softcover

**richard strauss s elektra studies in musical genes download** - Feb 16 2022

web richard strauss s elektra studies in musical genes constructing the viennese modern body electra after freud richard strauss national traditions in nineteenth century opera volume ii church music review and official bulletin of the american guild of organists elektra derrick puffett on music bodily charm early modernism let me continue to

richard strauss s elektra studies in music genesis and structure - Apr 01 2023

web select search scope currently catalog all catalog articles website more in one search catalog books media more in the stanford libraries collections articles journal articles other e resources

*richard strauss s elektra studies in music genesis and structure* - Aug 05 2023

web elektra was the fourth of fifteen operas by strauss and opened his successful partnership with the librettist hugo von hofmannsthal gilliam s study of this major work examines its

richard strauss s elektra studies in musical genesis and - Oct 07 2023

web richard strauss s elektra studies in musical genesis and structure department of music bryan gilliam 1992 oxford university press elektra was the fourth of fifteen operas by strauss and opened his successful partnership with

**9780198166023 richard strauss s elektra studies in musical** - Aug 25 2022

web elektra was the fourth of fifteen operas by strauss and opened his successful partnership with the librettist hugo von hofmannsthal gilliam s study of this major work examines its musical historical context and also provides a detailed [richard strauss s elektra studies in musical genesis structure](#) - May 02 2023

web buy richard strauss s elektra studies in musical genesis structure interpretation reprint by gilliam bryan isbn 9780198166023 from amazon s book store everyday low prices and free delivery on eligible orders

**richard strauss s elektra studies in musical genesis** - Dec 29 2022

web about this title elektra was the fourth of fifteen operas by strauss and opened his successful partnership with the librettist hugo von hofmannsthal gilliam s study of this major work examines its musical historical context and also provides a detailed analysis of some of its musical features

[richard strauss s elektra bryan gilliam oxford university press](#) - Jun 03 2023

web aug 1 1996 elektra was the fourth of fifteen operas by strauss and opened his successful partnership with the librettist hugo von hofmannsthal gilliam s study of this major work examines its musical historical context and also provides a detailed analysis of some of its musical features

[richard strauss s elektra studies in musical genes](#) - May 22 2022

web richard strauss s elektra studies in musical genes 1 omb no 9346051472816 richard strauss s elektra studies in musical genes opera from the greek 2 richard strauss s elektra studies in musical genes 2023 04 02 in this period it traces the fundamental and interlinked re examination of the arts brought about by matisse picasso

[2007 ks1 sats writing task mark scheme pdf preview neurosynth](#) - Sep 02 2022

web 2 ks1 sats short writing task 2007 2021 06 11 reading mind explains the fascinating journey from seeing letters then words sentences and so on with the author

[free ks1 sats short writing task 2007](#) - Mar 28 2022

web jun 12 2014 pub 165 5 kb pub 164 kb please comment this resource includes writing lined paper with a pebble page border a story mountain planning page for

**levels 3 5 shorter task and spelling test sats tests online** - Aug 13 2023

web if you ally practice such a referred ks1 sats short writing task 2007 books that will find the money for you worth fetch the positively best seller from us currentlyfrom multiple

[year 2 sats long writing task the amazing pebble](#) - Nov 04 2022

web ks1 sats short writing task 2007 3 3 what works within the classroom for our most disadvantaged students disciplinary literacy and explicit vocabulary teaching offers

**ks1 sats short writing task 2007 2023 mail thekingiscoming** - Oct 03 2022

web 2007 ks1 sats writing task mark scheme 2007 ks1 sats writing task mark scheme 2 downloaded from preview neurosynth org on 2023 01 27 by guest counter argument

[ks1 sats short writing task 2007 copy logb fonedog](#) - Jun 30 2022

web ks1 sats 2007 writing task ks1 sats 2007 writing task 4 downloaded from cie advances asme org on 2019 12 28 by guest the tools needed by those involved in

[ks1 sats short writing task 2007 pdf test thelyst](#) - Aug 01 2022

web with ease as search for them in some cases you likewise accomplish not discover the proclamation ks1 sats short writing task 2007 that you are looking for it will

[list of past reading writing tasks teaching resources](#) - Nov 23 2021

[ks1 sats short writing task 2007 orientation sutd edu](#) - Jul 12 2023

web ks1 sats short writing task 2007 3 3 british education index harpercollins uk this is a very important book assessment is one of the most technically and professionally

[ks1 sats short writing task 2007 2023 protese odontocompany](#) - Apr 28 2022

web ks1 sats short writing task 2007 the transmission of anglo norman apr 21 2022 this investigation contributes to issues in the study of second language transmission by

[2007 sats ks1 writing task pdf preview neurosynth](#) - Feb 07 2023

web 2 ks1 sats short writing task 2007 2020 05 11 letter to the time they finish reading the reading mind explains the fascinating journey from seeing letters then words

**levels 3 5 shorter task and spelling test sats papers** - Dec 25 2021

web jan 26 2015 this is a list of all the reading and writing tasks for ks2 sats since 1998 it is useful when you re planning revision to know what s gone before you can find cop

**the amazing pebble ks1 sats writing task 2007 tes** - Feb 24 2022

web 2007 sats ks1 writing task 2007 sats ks1 writing task 3 downloaded from preview neurosynth org on 2022 09 15 by guest teachers keen to understand the

[instructions for ks1 sats short writing task](#) - May 10 2023

web books try our ks1 grammar punctuation and spelling sats question book 9780008253134 or the ks1 reading sats question book 9780008253127 for extra

**ks1 sats 2007 writing task 2023 cie advances asme** - May 30 2022

web ks1 sats short writing task 2007 downloaded from protese odontocompany com by guest rollins alexzander the ict

handbook for primary teachers mdpi this

*2007 ks1 sats writing task pdf preview neurosynth* - Dec 05 2022

web nov 20 2014 docx 43 99 kb powerpoint blank writing template and story writing plan for the long writing sats task from 2007 report this resource to let us know if it

*2003 2012 writing sats tasks teaching resources* - Oct 15 2023

web this booklet contains instructions for the 2007 key stage 1 tasks for writing at levels 1 to 3 and for reading at levels 1 and 2 the tasks reflect the demands of the programmes of

**ks1 sats short writing task 2007 m plumvillage** - Jan 06 2023

web 2007 ks1 sats writing task 2007 ks1 sats writing task 2 downloaded from preview neurosynth org on 2022 01 03 by guest witch but sometimes her spells went

english tasks primary tools - Sep 14 2023

web shorter task your teacher will read through this section with you you will have 20 minutesto write your shorter piece of writing in this booklet spelling test your teacher

**instructions for ks1 sats short writing task** - Apr 09 2023

web ks1 sats short writing task 2007 downloaded from ai classmonitor com by guest noemi roberson improving literacy at ks2 and ks3 lets and lonsdale how to teach story

**2007 sats ks1 writing task 2023 preview neurosynth** - Jan 26 2022

web shorter task your teacher will read through this section with you you will have 20 minutesto write your shorter piece of writing in this booklet spelling test your teacher

ks1 sats short writing task 2007 download only ai classmonitor - Mar 08 2023

web 2007 sats ks1 writing task 2007 sats ks1 writing task 2 downloaded from preview neurosynth org on 2020 02 18 by guest curriculum at every key stage and

**ks1 sats short writing task 2007 download only ai classmonitor** - Jun 11 2023

web ks1 sats short writing task 2007 shootoutsande de year 2 sats what am i riddle by joelroutledge teaching year 5 2003 optional sats shorter writing task instruction

*inspirational quotes 365 days of the most inspiri pdf vod* - Jun 04 2022

web this following 365 days the greatest inspirational quotes are a combination of unique and meaningful inspiration quotes that you can use better yourself and your mindset and set yourself up

**inspirational quotes 365 days of the most inspiri pdf uniport edu** - Dec 30 2021

web jun 8 2023 365 days of motivation and inspiring quotes 365 days of happiness and success 2020 02 12 with a new year

nearly upon us it s a great time to get inspired about the future your vision your goals and executing on those goals

*365 quotes to motivate you for all 365 days in 2023* - Oct 08 2022

web dec 30 2022 january 1 1 anything in life worth having is worth working for andrew carnegie 1 2 success often comes to those who dare to act it seldom goes to the timid who are ever afraid of the

*these 365 quotes will inspire you every day this year* - Dec 10 2022

web dec 29 2014 so i wanted to share my favorite most inspiring quotes with you below are more than 365 quotes in a wide range of topics from some of the greatest leaders writers and thinkers of all time

**365 days of motivational and inspirational quotes style hyme** - Jul 05 2022

web aug 6 2022 looking for inspiration and motivation for over many years we ve collated the very best motivational and inspirational quotes we can find to positively enhance your life and well being we want to help you move along your path to success and that means adopting the right mind set every day if you read these quotes

inspirational quotes 365 days of the most inspi pdf app - Sep 07 2022

web inspirational quotes 365 days of the most inspi motivational books best motivational quotes book series daily joy 365 quotes to live your life by 4 inspirational quotes 365 days of the most inspi 2022 04 18 inside of you each week s quotes are accented lightly by a life coach styled commentary

365 best inspirational quotes quotes by k e kruse goodreads - Jan 11 2023

web like if you would hit the mark you must aim a little above it every arrow that flies feels the attraction of earth henry wadsworth longfellow k e kruse 365 best inspirational quotes daily motivation for your best year ever

**inspirational quotes 365 days of the most inspiring wise and** - May 03 2022

web 365 daily motivation amp inspiration apps on 365 days of wonder wonder quotes inspirational quotes 365 inspirational quotes printable printall top 100 inspirational quotes forbes these 365 quotes will inspire you every day this inc christian inspirational quotes 365greetings 300 top inspirational quotes to inspire your day quote 101 short

365 inspirational quotes for 2022 inc com - Jun 16 2023

web jan 1 2022 365 inspirational quotes for 2022 inspiring poignant thought provoking and just plain amusing quotes for the new year

**365 best inspirational quotes to put you on path of success** - Feb 12 2023

web may 27 2020 here s the list of 365 inspirational quotes that will motivate you throughout year these inspirational quotes contains the best of the best quotes

inspirational quotes 365 days of the most inspiring wise and - Apr 02 2022

web jun 7 2023 quotes 365greetings 300 top inspirational quotes to inspire your day quote 290 inspirational quotes that will

make 2020 your best year 365 days of wonder quotes quotesgram 150 best 365 days of 2020 images in 2020 inspirational 17  
[365 days best inspirational quotes for your daily motivation](#) - Apr 14 2023

web mar 28 2023 365 days best inspirational quotes day 1 a competent leader can get efficient service from poor troops while on the contrary an incapable leader can demoralize the best of troops john pershing day 2 a cowardly leader is the most dangerous of men stephen king day 3 a day wasted on others is not wasted on one s self  
[inspirational quotes 365 days of the most inspiring wise and](#) - Jul 17 2023

web mar 26 2020 inspirational quotes this book contains 365 of the most inspirational and thought provoking quotes from some of the world s greatest minds it contains quotes from the most prolific philosophers in history such as plato and socrates as well as quotes from modern day motivators such as david goggins and jordan b  
[inspirational quotes 365 days of the most inspi pdf](#) - Mar 01 2022

web likewise accomplish not discover the statement inspirational quotes 365 days of the most inspi that you are looking for it will categorically squander the time however below considering you visit this web page it will be consequently extremely easy to acquire as without difficulty as download guide inspirational quotes 365 days of the  
[inspirational quotes 365 days of the most inspi b ashiedu](#) - Jan 31 2022

web inspirational quotes 365 days of the most inspi is available in our book collection an online access to it is set as public so you can download it instantly our book servers spans in multiple locations allowing you to get the most less latency time  
[365 inspirational quotes for 2022 neuroleadership institute](#) - Nov 09 2022

web jan 1 2022 dr david rock is quoted in inc magazine s list of inspirational and thought provoking quotes to take into the new year read on for 365 days of insight  
[365 days motivational quotes knowquotes com](#) - May 15 2023

web jun 28 2022 365 days motivational quotes by mou sumi june 28 2022 40 inspirational quotes we all need a little motivation from time to time whether you re feeling stuck in a rut or just need a pick me up these 365 days motivational quotes will help you get through even the toughest of times  
[900 365 days of happiness d ideas in 2023 inspirational quotes](#) - Aug 06 2022

web jan 15 2023 simply choosing to be happy while we are on this earth see more ideas about inspirational quotes words life quotes  
[one quote a day 365 quotes for all the 365 days in the year](#) - Mar 13 2023

web mar 3 2018 while the revelry and the celebrations continue motivation and sufficient inspiration are necessary to go through the 365 days feel free to fall back upon these quotes when the tough the new year is upon us and the days ahead full of possibilities and opportunities await us



**365 best inspirational quotes for 2023 inc com** - Aug 18 2023

web jan 1 2023 365 best inspirational quotes for 2023 one quote for each day of the year take these quotes together and they re quite inspiring