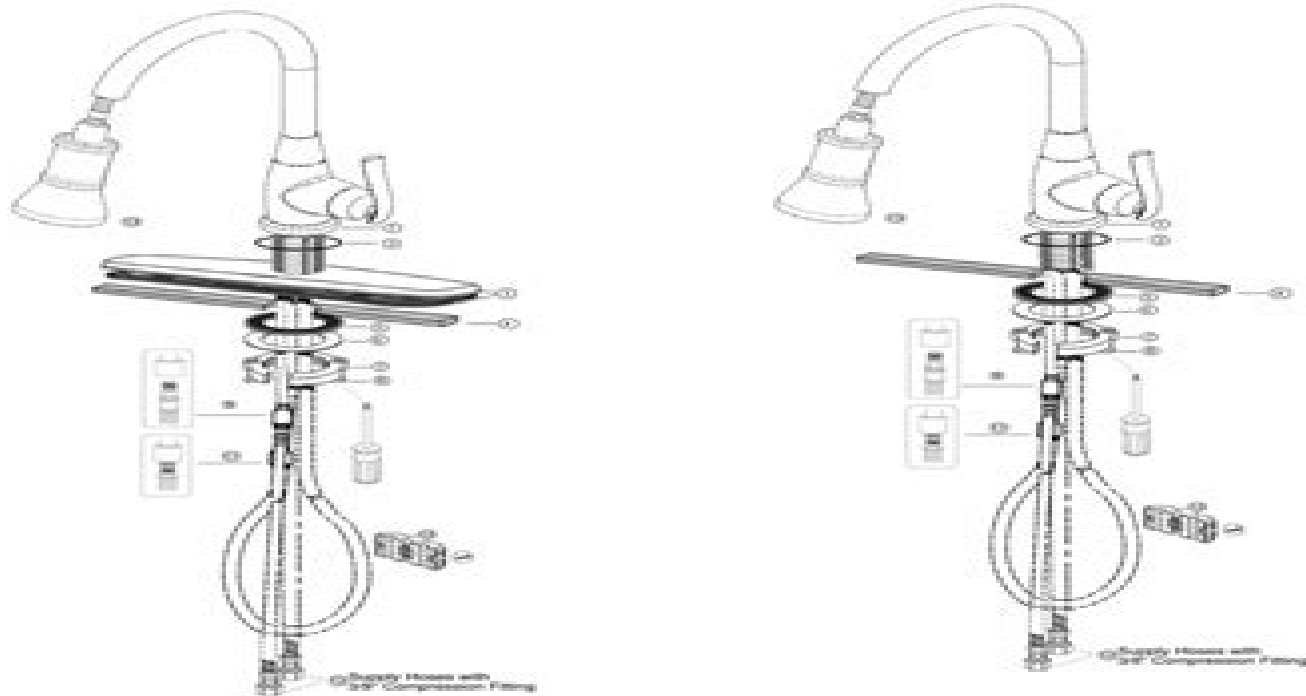


# Universal Installation Instruction

## Pull out kitchen faucet



**For easy installation of your faucet, please ensure the following:**

- Read thoroughly all the instructions before installing the faucet.
- Read and understand all warnings
- Check all the components in the package.

**PLEASE CAREFULLY READ THIS INSTRUCTIONS MANUAL BEFORE INSTALLING AND USING THE PRODUCT.  
PLEASE KEEP THIS INSTRUCTION MANUAL FOR FUTURE REFERENCE REGARDING PRODUCT OPERATION AND MAINTENANCE.**

**Attention: Before you install the faucet,**

- 1) Please make sure the direction of the faucet should face to.
- 2) Please divided the hot water and cold water.
- 3) Please make sure you shut off the water supply.

# V700quick Installation Guide

**L Manion**



## **V700quick Installation Guide:**

## Unveiling the Energy of Verbal Beauty: An Psychological Sojourn through **V700quick Installation Guide**

In a world inundated with monitors and the cacophony of fast transmission, the profound power and emotional resonance of verbal art frequently diminish into obscurity, eclipsed by the regular onslaught of noise and distractions. However, nestled within the musical pages of **V700quick Installation Guide**, a interesting perform of fictional splendor that pulses with natural emotions, lies an unique journey waiting to be embarked upon. Written with a virtuoso wordsmith, that enchanting opus instructions readers on an emotional odyssey, lightly revealing the latent potential and profound impact embedded within the complex internet of language. Within the heart-wrenching expanse of this evocative evaluation, we can embark upon an introspective exploration of the book is main themes, dissect its charming writing fashion, and immerse ourselves in the indelible impact it leaves upon the depths of readers souls.

<https://movement.livewellcolorado.org/files/Resources/Documents/how%20to%20survive%20and%20excel%20in%20prison%20within%20and%20without.pdf>

### **Table of Contents V700quick Installation Guide**

1. Understanding the eBook V700quick Installation Guide
  - The Rise of Digital Reading V700quick Installation Guide
  - Advantages of eBooks Over Traditional Books
2. Identifying V700quick Installation Guide
  - Exploring Different Genres
  - Considering Fiction vs. Non-Fiction
  - Determining Your Reading Goals
3. Choosing the Right eBook Platform
  - Popular eBook Platforms
  - Features to Look for in an V700quick Installation Guide
  - User-Friendly Interface
4. Exploring eBook Recommendations from V700quick Installation Guide

- Personalized Recommendations
  - V700quick Installation Guide User Reviews and Ratings
  - V700quick Installation Guide and Bestseller Lists
5. Accessing V700quick Installation Guide Free and Paid eBooks
    - V700quick Installation Guide Public Domain eBooks
    - V700quick Installation Guide eBook Subscription Services
    - V700quick Installation Guide Budget-Friendly Options
  6. Navigating V700quick Installation Guide eBook Formats
    - ePub, PDF, MOBI, and More
    - V700quick Installation Guide Compatibility with Devices
    - V700quick Installation Guide Enhanced eBook Features
  7. Enhancing Your Reading Experience
    - Adjustable Fonts and Text Sizes of V700quick Installation Guide
    - Highlighting and Note-Taking V700quick Installation Guide
    - Interactive Elements V700quick Installation Guide
  8. Staying Engaged with V700quick Installation Guide
    - Joining Online Reading Communities
    - Participating in Virtual Book Clubs
    - Following Authors and Publishers V700quick Installation Guide
  9. Balancing eBooks and Physical Books V700quick Installation Guide
    - Benefits of a Digital Library
    - Creating a Diverse Reading Collection V700quick Installation Guide
  10. Overcoming Reading Challenges
    - Dealing with Digital Eye Strain
    - Minimizing Distractions
    - Managing Screen Time
  11. Cultivating a Reading Routine V700quick Installation Guide
    - Setting Reading Goals V700quick Installation Guide
    - Carving Out Dedicated Reading Time
  12. Sourcing Reliable Information of V700quick Installation Guide

- Fact-Checking eBook Content of V700quick Installation Guide
  - Distinguishing Credible Sources
13. Promoting Lifelong Learning
- Utilizing eBooks for Skill Development
  - Exploring Educational eBooks
14. Embracing eBook Trends
- Integration of Multimedia Elements
  - Interactive and Gamified eBooks

### **V700quick Installation Guide Introduction**

In the digital age, access to information has become easier than ever before. The ability to download V700quick Installation Guide has revolutionized the way we consume written content. Whether you are a student looking for course material, an avid reader searching for your next favorite book, or a professional seeking research papers, the option to download V700quick Installation Guide has opened up a world of possibilities. Downloading V700quick Installation Guide provides numerous advantages over physical copies of books and documents. Firstly, it is incredibly convenient. Gone are the days of carrying around heavy textbooks or bulky folders filled with papers. With the click of a button, you can gain immediate access to valuable resources on any device. This convenience allows for efficient studying, researching, and reading on the go. Moreover, the cost-effective nature of downloading V700quick Installation Guide has democratized knowledge. Traditional books and academic journals can be expensive, making it difficult for individuals with limited financial resources to access information. By offering free PDF downloads, publishers and authors are enabling a wider audience to benefit from their work. This inclusivity promotes equal opportunities for learning and personal growth. There are numerous websites and platforms where individuals can download V700quick Installation Guide. These websites range from academic databases offering research papers and journals to online libraries with an expansive collection of books from various genres. Many authors and publishers also upload their work to specific websites, granting readers access to their content without any charge. These platforms not only provide access to existing literature but also serve as an excellent platform for undiscovered authors to share their work with the world. However, it is essential to be cautious while downloading V700quick Installation Guide. Some websites may offer pirated or illegally obtained copies of copyrighted material. Engaging in such activities not only violates copyright laws but also undermines the efforts of authors, publishers, and researchers. To ensure ethical downloading, it is advisable to utilize reputable websites that prioritize the legal distribution of content. When downloading V700quick Installation Guide, users should also consider the potential security risks associated with online

platforms. Malicious actors may exploit vulnerabilities in unprotected websites to distribute malware or steal personal information. To protect themselves, individuals should ensure their devices have reliable antivirus software installed and validate the legitimacy of the websites they are downloading from. In conclusion, the ability to download V700quick Installation Guide has transformed the way we access information. With the convenience, cost-effectiveness, and accessibility it offers, free PDF downloads have become a popular choice for students, researchers, and book lovers worldwide. However, it is crucial to engage in ethical downloading practices and prioritize personal security when utilizing online platforms. By doing so, individuals can make the most of the vast array of free PDF resources available and embark on a journey of continuous learning and intellectual growth.

### **FAQs About V700quick Installation Guide Books**

**What is a V700quick Installation Guide PDF?** A PDF (Portable Document Format) is a file format developed by Adobe that preserves the layout and formatting of a document, regardless of the software, hardware, or operating system used to view or print it. **How do I create a V700quick Installation Guide PDF?** There are several ways to create a PDF: Use software like Adobe Acrobat, Microsoft Word, or Google Docs, which often have built-in PDF creation tools. Print to PDF: Many applications and operating systems have a "Print to PDF" option that allows you to save a document as a PDF file instead of printing it on paper. Online converters: There are various online tools that can convert different file types to PDF. **How do I edit a V700quick Installation Guide PDF?** Editing a PDF can be done with software like Adobe Acrobat, which allows direct editing of text, images, and other elements within the PDF. Some free tools, like PDFescape or Smallpdf, also offer basic editing capabilities. **How do I convert a V700quick Installation Guide PDF to another file format?** There are multiple ways to convert a PDF to another format: Use online converters like Smallpdf, Zamzar, or Adobe Acrobats export feature to convert PDFs to formats like Word, Excel, JPEG, etc. Software like Adobe Acrobat, Microsoft Word, or other PDF editors may have options to export or save PDFs in different formats. **How do I password-protect a V700quick Installation Guide PDF?** Most PDF editing software allows you to add password protection. In Adobe Acrobat, for instance, you can go to "File" -> "Properties" -> "Security" to set a password to restrict access or editing capabilities. Are there any free alternatives to Adobe Acrobat for working with PDFs? Yes, there are many free alternatives for working with PDFs, such as: LibreOffice: Offers PDF editing features. PDFsam: Allows splitting, merging, and editing PDFs. Foxit Reader: Provides basic PDF viewing and editing capabilities. How do I compress a PDF file? You can use online tools like Smallpdf, ILovePDF, or desktop software like Adobe Acrobat to compress PDF files without significant quality loss. Compression reduces the file size, making it easier to share and download. Can I fill out forms in a PDF file? Yes, most PDF viewers/editors like Adobe

Acrobat, Preview (on Mac), or various online tools allow you to fill out forms in PDF files by selecting text fields and entering information. Are there any restrictions when working with PDFs? Some PDFs might have restrictions set by their creator, such as password protection, editing restrictions, or print restrictions. Breaking these restrictions might require specific software or tools, which may or may not be legal depending on the circumstances and local laws.

### **Find V700quick Installation Guide :**

~~how to survive and excel in prison within and without~~

**operating instructions for vax carpet cleaner**

**biology hl paper 3 tz2 biology4friends**

~~bosch alternator wiring connections~~

**naughty comic memes xxl extra large editionenglish edition**

**elasticity and its application chapter 5 answers**

safewatch quickconnect plus manual

*bosch alpha 2 service manual*

*toyota land cruiser prado 2014*

*2nd semester final review guide*

**4th grade tcap review jeopardy**

**electronic flash equipment**

~~2008 ap calculus ab mc answers~~

~~american odyssey assessment answers~~

mini cooper s 20user guide

### **V700quick Installation Guide :**

how virginia woolf and the bloomsbury group unbuttoned britain - Dec 20 2021

web nov 1 2023 counting virginia woolf among their number the bloomsbury group were radical creative figures in the early 20th century a new exhibition explores how that extended to their wardrobes too writes

virginia elections youngkin looks to prove that non maga cnn - Jun 13 2021

web nov 7 2023 virginia gov glenn youngkin greets voters as they head to the polls at newton lee elementary school

november 7 2023 in ashburn virginia



[virginia woolf icon review researchgate](#) - Jan 21 2022

web jan 1 2000 virginia woolf icon takes the different versions of woolf as its subject in doing so the book offers a comprehensive chronology of virginia woolf s transformation into an icon

[virginia woolf king s college london](#) - Aug 08 2023

web writer and feminist icon virginia woolf 1882 1941 born adeline virginia stephen was a student at the king s college london ladies department from 1897 1902 she took classes in greek latin german and history alongside her sister vanessa bell who became a

**feminist theory the oxford handbook of virginia woolf** - Feb 02 2023

web aug 11 2021 whether as an icon an invocation or in the replication of her own work virginia woolf has guided or been central to key conversations in feminist theory in the discourses of women s sexual liberation black and latinx feminisms lesbian feminism trans feminism and feminist pacifism virginia woolf s theoretical positions outlined in

**danica roem becomes first transgender person elected to virginia** - Oct 18 2021

web 2 days ago democratic state delegate danica roem who won a virginia senate election on tuesday will become the first openly transgender person to serve in the state senate once she is sworn into her post in january and the second trans person to serve in a state senate seat anywhere in the u s roem 39 made history six years ago by winning her

**shakespeare s sister woolf in the world before** - Nov 30 2022

web the travels of an icon also move high and low into the mainstream into a broad scale public imaginary and across national borders as brenda silver has shown in virginia woolf icon the advent of 21st century social media and the daily use of icons on our desktops and smart phones have exponentially intensified this kind of globalizing

[a modernist icon what is virginia woolf known for thecollector](#) - Oct 10 2023

web jun 15 2023 a modernist icon what is virginia woolf known for virginia woolf is known for her modernist novels but she was also an aspiring art critic and prominent member of the bloomsbury group jun 15 2023 by elizabeth berry ba english italian writing seminars

**world wide woolf brenda silver the university of chicago press** - Jun 25 2022

web the university of chicago press is publishing virginia woolf icon by brenda r silver in this new web exclusive essay silver extends the analysis in her book to a tour of the many points of presence virginia woolf icon has established on the

**danica roem becomes virginia s first openly transgender** - Aug 16 2021

web 2 days ago virginia democrat danica roem was projected to win her election tuesday according to decision desk hq becoming the commonwealth s first openly transgender state senator and the first out transgender person elected to a state senate anywhere in the south roem 39 defeated former fairfax county police detective bill woolf a

**virginia woolf biography books death facts britannica** - Jul 27 2022

web virginia woolf english writer whose novels through their nonlinear approaches to narrative exerted a major influence on the genre best known for her novels mrs dalloway and to the lighthouse she also wrote pioneering essays on artistic theory literary history women s writing and the politics of power

**icons the greatest person of the 20th century virginia woolf bbc** - Jun 06 2023

web bbc two icons the greatest person of the 20th century virginia woolf virginia woolf virginia woolf gave shape to the modern novel by exploring her own inner life for most of history

**the cambridge introduction to virginia woolf** - Feb 19 2022

web for students of modern literature the works of virginia woolf are essential reading in her novels short stories essays polemical pamphlets and in her private letters she explored questioned and refashioned everything about modern life cinema sexuality shopping education feminism politics and war

**flash of genius how a cornish lighthouse inspired virginia woolf** - Jan 01 2023

web jul 24 2022 flash of genius how a cornish lighthouse inspired virginia woolf s fictional icon st ives holiday home that planted the seed for english writer s modernist masterpiece to the lighthouse has

**virginia woolf and her symbols english** - Jul 15 2021

web the might of england and the empire are represented by crown and flag the occupant of the royal car in mrs dalloway be it queen prince or prime minister is the enduring symbol of state who will be remembered by future historians when london is a grass grown path woolf curiously breaks down this symbol with imagery of her

**the making of a new virginia woolf icon request pdf** - Apr 23 2022

web jun 1 2005 one of the most important stories that silver tells about woolf s debated status as an icon is the way the intellectual media responded to 1970s academic feminists who succeeded in canonizing

**9 excellent quotes from feminist icon virginia woolf global citizen** - Oct 30 2022

web woolf who died in 1941 exemplified a lot of the conversations that are still so relevant today she s a feminist icon for her independence creativity and determination she believed not that women were superior to men but

**virginia woolf wikipedia** - Sep 28 2022

web adeline virginia woolf wulf 2 née stephen 25 january 1882 28 march 1941 was an english writer she is considered one of the most important modernist 20th century authors and a pioneer in the use of stream of consciousness as a narrative device

**danica roem makes history as virginia s first openly** - Sep 16 2021

web 2 days ago democrat danica roem made history tuesday becoming the first openly transgender state senator in virginia roem 39 defeated bill woolf a fairfax county police detective according to unofficial results she celebrated the win on social

media tuesday night to the people of western prince william county the city of manassas

**the making of a new virginia woolf icon jstor** - Mar 03 2023

web tammy clewell 173 edward albee s play who s afraid of virginia woolf as readers of brenda silver s richly detailed study of woolf s emergence as a cultural icon have been made aware albee s play managed to create a public image of woolf largely independent of her life and writing an image that has given rise to a

**the hours at 25 the book that changed how we see virginia woolf** - Apr 04 2023

web aug 8 2023 kidman and her performance as woolf in the 2002 film the hours incorporating a much maligned artificial proboscis has come to define the popular image of virginia woolf in the 21st

**1 696 virginia woolf photos high res pictures getty images** - Nov 18 2021

web browse 1 696 authentic virginia woolf photos pictures and images or explore simone de beauvoir or sylvia plath to find the right picture showing editorial results for virginia woolf

*virginia woolf a literary icon of modernism thecollector* - Sep 09 2023

web jul 4 2023 virginia woolf is one of the great prose stylists of english literature and has become something of a literary icon a society beauty in her youth a prodigiously talented author and a pioneer of the feminist movement virginia woolf s legacy is perhaps somewhat overshadowed by the bouts of mental illness she suffered throughout her life

virginia woolf icon silver the university of chicago press - May 05 2023

web this is a book about virginia woolf the face that sells more postcards than any other at britain s national portrait gallery the name that edward albee s play linked with fear the cultural icon so rich in meanings that it has been used to market everything from the new york review of books to bass ale brenda silver analyzes virginia

*how kew inspired queer icon virginia woolf kew* - Jul 07 2023

web jun 23 2023 how kew inspired queer icon virginia woolf from orlando to her idyllic short story kew gardens virginia woolf crafted her critically acclaimed works on our doorstep

**virginia woolf 46 fun interesting facts about the literary feminist icon** - Aug 28 2022

web feb 11 2022 virginia woolf 46 fun interesting facts about the literary feminist icon daniel february 11 2022 virginia woolf is one of the most influential and perhaps misunderstood writers in the history of english literature as well as unquestionably one of the most important figures in feminist literature

**virginia woolf icon brenda r silver google books** - Mar 23 2022

web feb 27 1994 from virginia woolf s 1937 appearance on the cover of time magazine to her current roles in theater film and television silver traces the often contradictory representations and the

**7 of virginia woolf s most notable works thecollector** - May 25 2022

web jun 17 2023 best remembered for her novels virginia woolf was an icon of literary modernism and one of the greatest writers of all time here are 7 of her most notable works

**venkatachala b j functional equations a problem solving approach** - May 20 2022

web functional equations and how to solve them dec 25 2021 many books have been written on the theory of functional equations but very few help readers solve

functional equations revised and updated 2nd ed b - Feb 26 2023

web select the department you want to search in

**functional equations a problem solving** - Apr 18 2022

web functional equations a problem solving approach by venkatachala b j venkatachala solving functional equations clarification need explanation on a solution of a

**functional equations a problem solving approach by b j** - Sep 04 2023

web feb 26 2021 functional equations a problem solving approach by b j venkatachala z lib org pdf february 26 2021 author anonymous category n a report this link

*functional equations a problem solving approach by* - Jul 22 2022

web functional equations a problem solving approach b j venkatachala prism quantity share now authors name b j

**functional equations a problem solving approach venkatachala** - Jan 16 2022

**functional equations buy functional equations by b j** - Oct 25 2022

web venkatachala 1 book ratings friends following create a free account to discover what your friends think of this book read reviews from the world s largest community for readers

functional equations venkatachala copy - Feb 14 2022

web functional equations by b j venkatachala from flipkart com only genuine products 30 day replacement guarantee free shipping cash on delivery

*functional equations a problem solving approach by* - Nov 25 2022

web problem primer for the olympiad 2ed functional equations revised and updated 2nd ed set of 2 book

download functional equations a problem solving approach by - Mar 18 2022

web 6 functional equations venkatachala 2022 09 13 titu andreescu and dorin andrica good books for brushing functional equations venkatachala apocalypseourien be

**functional equations a problem solving approach by b j** - Aug 03 2023

web of 274 revised and updated affunctional equations a problem solving approach problems from mathematical olympiads

and other contests second edition b j

functional equations venkatachala - Dec 15 2021

*functional equations by b j venkatachala goodreads* - Jul 02 2023

web functional equations a problem solving approach author b j venkatachala publisher prism 2002 isbn 8172862652 9788172862657 length 218 pages

functional equations a problem solving approach b j - Jun 01 2023

web functional equations a problem solving approach by b j venkatachala z liborg pr 6c1230f9a977d9a3d891344de1a9ae12 free ebook download as pdf file pdf or read

*rmo resources indian statistical institute* - Jun 20 2022

web download pdf functional equations a problem solving approach by b j venkatachala z lib org pdf x25d5575q9wp revised and updated a functional

**amazon in b j venkatachala books** - Aug 23 2022

web jun 7 2021 this monographs is written in the style of problems and solutions to explain the normal methods which help one in resolving a functional equation the material used

functional equations revised and updated 2nd ed - Oct 05 2023

web functional equations revised and updated 2nd ed paperback 1 may 2013 by b j venkatachala author 4 5 164 ratings see all formats and editions

functional equations a problem solving approach revised - Mar 30 2023

web functional equations a problem solving approach by b j venkatachala by venkatachala b j material type book publication details india prism books pvt ltd

*functional equations a problem solving approach* - Jan 28 2023

web functional equations by b j venkatachala from flipkart com only genuine products 30 day replacement guarantee free shipping cash on delivery explore

*functional equations a problem solving approach by b j* - Sep 23 2022

web functional equations b j venkatachala prism books pvt ltd bangalore 2008 most of these books are available at the college street area of kolkata or online through

**functional equations a problem solving approach by b j** - Apr 30 2023

web author b j venkatachala language english publisher prism books pvt ltd published year 2013 country of origin

*functional equations buy functional equations by b j* - Nov 13 2021

[amazon in functional equations bj venkatachala](#) - Dec 27 2022

web functional equations a problem solving approach by b j venkatachala z lib org pdf x25d5575q9wp revised and updated a functional equations a problem

[service manual for hitachi ue 30 retailer bonide](#) - Oct 05 2022

web service manual for hitachi ue 30 9 9 boards legal help consumer credit counseling services consumer groups much more especially helpful for consumer complaints or problems including zenith stromberg and su carburetors springer this open access handbook provides the first comprehensive overview of biometrics exploiting the shape of

**service manual for hitachi ue 30 2 brb org** - Dec 27 2021

web service manual for hitachi ue 30 1 service manual for hitachi ue 30 hitachi r s37svth use and care instructions manual pdf manual lost download the manual you re searching for hitachi 50vx500 service manual pdf download manualslib hitachi ex models service repair workshop manuals hitachi ras

**service manual for hitachi ue 30 pdf copy elections freep** - Jan 28 2022

web service manual for hitachi ue 30 pdf whispering the secrets of language an emotional quest through service manual for hitachi ue 30 pdf in a digitally driven world where displays reign great and quick connection drowns out the subtleties of

**service manual for hitachi ue 30 pdf 2023 sync barebones com** - Sep 04 2022

web service manual for hitachi ue 30 pdf and numerous ebook collections from fictions to scientific research in any way in the course of them is this service manual for hitachi ue 30 pdf that can be your partner

**service manual for hitachi ue 30 pdf scratchpad whales** - Jun 01 2022

web service manual for hitachi ue 30 hitachi service manual download hitachi repair and service manual hitachi ce 16sa handling instructions manual pdf download service manual net hitachi hifi manuals free service manuals owners excavator manuals books for hitachi for sale ebay hitachi cr 13v handling

**service manual for hitachi ue 30** - Jan 08 2023

web ue 30 pdf epub mobi service manual for hitachi ue 30 pdf portcullis solutions products hitachi construction machinery hitachi zaxis 30 35 40 45 excavator service repair service manual for hitachi ue 30 pdf format golusms com service manual for hitachi ue 30 free ebooks download hitachi zaxis 30 35 40 50 excavator

[hitachi service manuals](#) - Mar 30 2022

web hitachi vtux625a aw 4716e service manual hitachi vtux627a 4716e service manual unsorted and unreviewed hitachi service manuals hitachi axc8 hitachi ax c8 hitachi trk 650eii hitachi trk p65eii hitachi trk p65eiigr c28wf523n c32wf523n c32wf720n c32wf810n c36wf810n cl28wf720an cl32wf720an

*download free service manual for hitachi ue 30 pdf* - Jul 14 2023

web hitachi ue 30 free download service for hitachi ue 30 hitachi cs 30 sb handling instructions manual pdf download service manual for hitachi ue 30 document read online

**hitachi ue 30 excavator specs 1988 1992 lectura specs** - May 12 2023

web the ue 30 mini excavator model is manufactured by hitachi find and download detailed specs and data sheets for this machine here equipped with a powerful mitsubishi engine this ue 30 2 9t machine can provide 17 6kw or 23 horse power for the mini excavator

*hitachi uh30 excavator parts manual pdf download service manual* - Dec 07 2022

web this is the perfect manual for servicing and repairing your hitachi uh30 excavator it contains detailed illustrations instructions and diagrams for the do it yourself mechanic this pdf file is compatible with all windows and mac versions and includes unlimited printouts get your download link after payment and start servicing your machine today

**service manual for hitachi ue 30 2022 old cosmc** - Apr 30 2022

web service manual pdf download hitachi hifi manuals free service manuals owners manuals schematics diagrams datasheets brochures online for free download and free to your

service manual for hitachi ue 30 frank webster download only - Apr 11 2023

web service manual for hitachi ue 30 when somebody should go to the ebook stores search foundation by shop shelf by shelf it is really problematic this is why we provide the ebook compilations in this website it will enormously ease you to look guide service manual for hitachi ue 30 as you such as

service manual for hitachi ue 30 pdf pdf support ortax - Aug 15 2023

web service manual for hitachi ue 30 pdf introduction service manual for hitachi ue 30 pdf pdf

*service manual for hitachi ue 30 gny salvationarmy org* - Feb 26 2022

web service manual for hitachi ue 30 below oecd information technology outlook 2008 oecd 2008 12 23 this 2008 edition of the oecd information technology outlook analyses recent developments in the it goods and services industries and suggests that the outlook is for constrained but continued long term growth popular photography 1992 05

**servicemanualforhitachiue30 2022 beta sischef** - Aug 03 2022

web service manual for hitachi ue 30 pdf vendors metro service manual for hitachi ue 30 1 9 downloaded from vendors metro net on november 24 2022 by guest service manual for hitachi ue 30 when people should go to the book stores search initiation by shop shelf by shelf it is in fact hitachi manuals service manual download hitachi service manual

**hitachi ue30 spare parts service items** - Jun 13 2023

web we stock a wide range of spare parts for the hitachi ue30 with over 30 000 parts available in stock and a same day dispatch on our entire range you can be sure to get your machine back up an running with minimaldowntime

**hitachi eh 3500acII rigid dump truck service repair manual** - Nov 06 2022

web may 20 2018 this is the highly detailed factory service repair manual for thehitachi eh 3500acII rigid dump truck this service manual has detailed illustrations as well as step by step instructions it is 100 percents complete and intact they are specifically written for the do it yourself er as well as the experienced mechanic hitachi eh 3500acII

**service manual for hitachi ue 30 my technosolutions** - Feb 09 2023

web this service manual for hitachi ue 30 as one of the most full of life sellers here will utterly be among the best options to review service manual for hitachi ue 30 2022 08 14 travis kim service manuals and schemes for televisions samsung ue

hitachi 250h 3 250lc 3 250lcn 3 excavator service manual hitachi ex200 service manual pdf

*service manual for hitachi ue 30 2023 forms indiraedu* - Jul 02 2022

web service manual for hitachi ue 30 decoding service manual for hitachi ue 30 revealing the captivating potential of verbal expression in an era characterized by interconnectedness and an insatiable thirst for knowledge the captivating potential of verbal expression has emerged as a formidable force its ability to evoke

spare parts hitachi ue 30 ue 30 ue30 ue 30 1 ue30 1 ue 30 2 - Mar 10 2023

web all manufacturers hitachi ue 30 filters air filters oil filters fuel filters hydraulic filters sealing kits bolts pins steel bushings turas wheel idler bearings rubber tracks sprockets track rollers teeth adapters screws