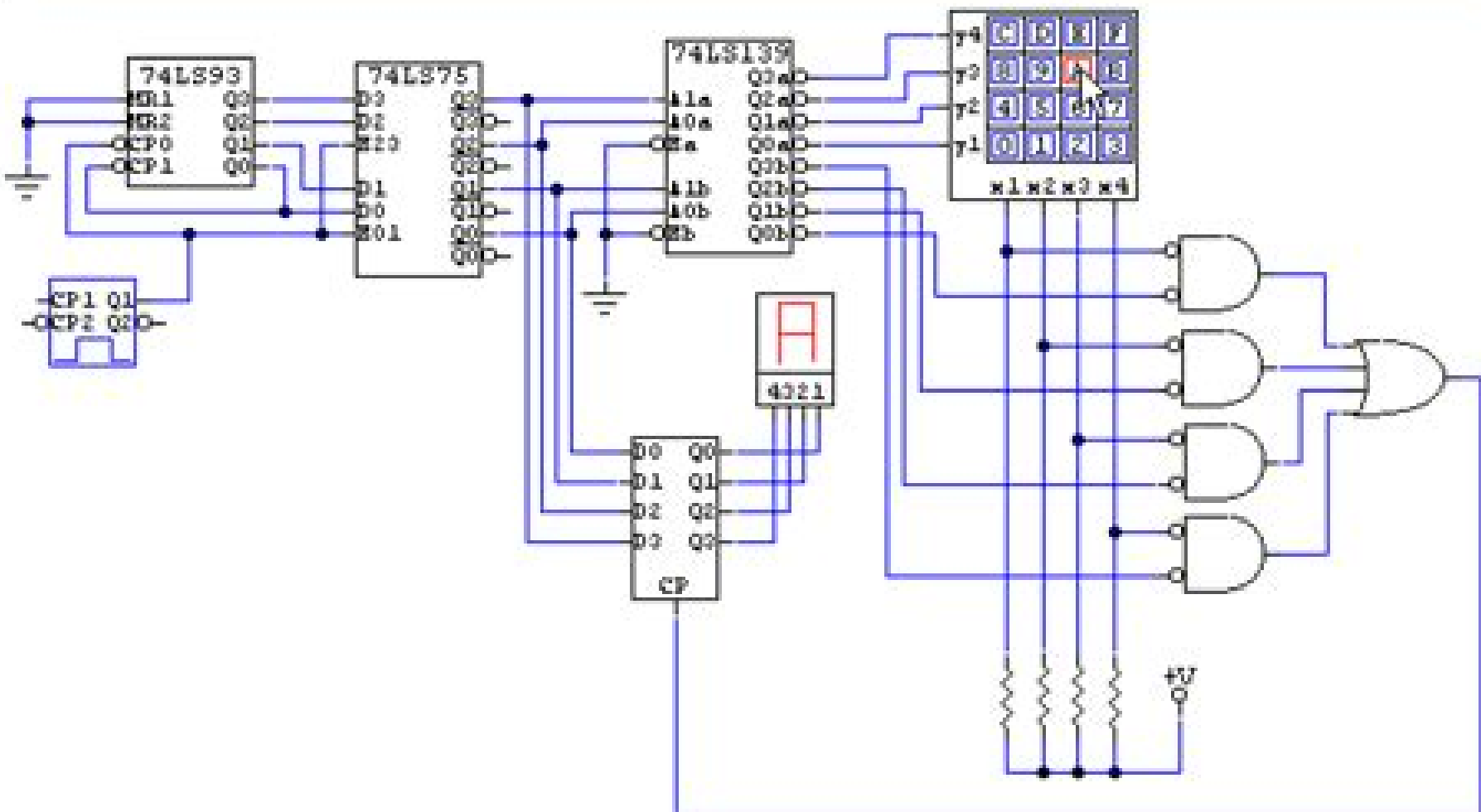




C:\CM60PRO\CIRCUITS\4X4.CKT\* 100%(1)



# Users Manual For Circuitmaker 6 Pro

**David Baud**



## **Users Manual For Circuitmaker 6 Pro:**

This book delves into Users Manual For Circuitmaker 6 Pro. Users Manual For Circuitmaker 6 Pro is a crucial topic that must be grasped by everyone, from students and scholars to the general public. The book will furnish comprehensive and in-depth insights into Users Manual For Circuitmaker 6 Pro, encompassing both the fundamentals and more intricate discussions.

1. The book is structured into several chapters, namely:

- Chapter 1: Introduction to Users Manual For Circuitmaker 6 Pro
- Chapter 2: Essential Elements of Users Manual For Circuitmaker 6 Pro
- Chapter 3: Users Manual For Circuitmaker 6 Pro in Everyday Life
- Chapter 4: Users Manual For Circuitmaker 6 Pro in Specific Contexts
- Chapter 5: Conclusion

2. In chapter 1, this book will provide an overview of Users Manual For Circuitmaker 6 Pro. The first chapter will explore what Users Manual For Circuitmaker 6 Pro is, why Users Manual For Circuitmaker 6 Pro is vital, and how to effectively learn about Users Manual For Circuitmaker 6 Pro.
3. In chapter 2, this book will delve into the foundational concepts of Users Manual For Circuitmaker 6 Pro. The second chapter will elucidate the essential principles that need to be understood to grasp Users Manual For Circuitmaker 6 Pro in its entirety.
4. In chapter 3, the author will examine the practical applications of Users Manual For Circuitmaker 6 Pro in daily life. This chapter will showcase real-world examples of how Users Manual For Circuitmaker 6 Pro can be effectively utilized in everyday scenarios.
5. In chapter 4, the author will scrutinize the relevance of Users Manual For Circuitmaker 6 Pro in specific contexts. This chapter will explore how Users Manual For Circuitmaker 6 Pro is applied in specialized fields, such as education, business, and technology.
6. In chapter 5, the author will draw a conclusion about Users Manual For Circuitmaker 6 Pro. The final chapter will summarize the key points that have been discussed throughout the book.

The book is crafted in an easy-to-understand language and is complemented by engaging illustrations. This book is highly recommended for anyone seeking to gain a comprehensive understanding of Users Manual For Circuitmaker 6 Pro.

[https://movement.livewellcolorado.org/data/detail/index.jsp/Toyota\\_Forklift\\_Operator\\_Manual\\_7fdu.pdf](https://movement.livewellcolorado.org/data/detail/index.jsp/Toyota_Forklift_Operator_Manual_7fdu.pdf)

## **Table of Contents Users Manual For Circuitmaker 6 Pro**

1. Understanding the eBook Users Manual For Circuitmaker 6 Pro
  - The Rise of Digital Reading Users Manual For Circuitmaker 6 Pro
  - Advantages of eBooks Over Traditional Books
2. Identifying Users Manual For Circuitmaker 6 Pro
  - Exploring Different Genres
  - Considering Fiction vs. Non-Fiction
  - Determining Your Reading Goals
3. Choosing the Right eBook Platform
  - Popular eBook Platforms
  - Features to Look for in an Users Manual For Circuitmaker 6 Pro
  - User-Friendly Interface
4. Exploring eBook Recommendations from Users Manual For Circuitmaker 6 Pro
  - Personalized Recommendations
  - Users Manual For Circuitmaker 6 Pro User Reviews and Ratings
  - Users Manual For Circuitmaker 6 Pro and Bestseller Lists
5. Accessing Users Manual For Circuitmaker 6 Pro Free and Paid eBooks
  - Users Manual For Circuitmaker 6 Pro Public Domain eBooks
  - Users Manual For Circuitmaker 6 Pro eBook Subscription Services
  - Users Manual For Circuitmaker 6 Pro Budget-Friendly Options
6. Navigating Users Manual For Circuitmaker 6 Pro eBook Formats
  - ePub, PDF, MOBI, and More
  - Users Manual For Circuitmaker 6 Pro Compatibility with Devices
  - Users Manual For Circuitmaker 6 Pro Enhanced eBook Features
7. Enhancing Your Reading Experience
  - Adjustable Fonts and Text Sizes of Users Manual For Circuitmaker 6 Pro
  - Highlighting and Note-Taking Users Manual For Circuitmaker 6 Pro
  - Interactive Elements Users Manual For Circuitmaker 6 Pro

8. Staying Engaged with Users Manual For Circuitmaker 6 Pro
  - Joining Online Reading Communities
  - Participating in Virtual Book Clubs
  - Following Authors and Publishers Users Manual For Circuitmaker 6 Pro
9. Balancing eBooks and Physical Books Users Manual For Circuitmaker 6 Pro
  - Benefits of a Digital Library
  - Creating a Diverse Reading Collection Users Manual For Circuitmaker 6 Pro
10. Overcoming Reading Challenges
  - Dealing with Digital Eye Strain
  - Minimizing Distractions
  - Managing Screen Time
11. Cultivating a Reading Routine Users Manual For Circuitmaker 6 Pro
  - Setting Reading Goals Users Manual For Circuitmaker 6 Pro
  - Carving Out Dedicated Reading Time
12. Sourcing Reliable Information of Users Manual For Circuitmaker 6 Pro
  - Fact-Checking eBook Content of Users Manual For Circuitmaker 6 Pro
  - Distinguishing Credible Sources
13. Promoting Lifelong Learning
  - Utilizing eBooks for Skill Development
  - Exploring Educational eBooks
14. Embracing eBook Trends
  - Integration of Multimedia Elements
  - Interactive and Gamified eBooks

## **Users Manual For Circuitmaker 6 Pro Introduction**

Free PDF Books and Manuals for Download: Unlocking Knowledge at Your Fingertips In todays fast-paced digital age, obtaining valuable knowledge has become easier than ever. Thanks to the internet, a vast array of books and manuals are now available for free download in PDF format. Whether you are a student, professional, or simply an avid reader, this treasure trove of downloadable resources offers a wealth of information, conveniently accessible anytime, anywhere. The advent of online libraries and platforms dedicated to sharing knowledge has revolutionized the way we consume information.

No longer confined to physical libraries or bookstores, readers can now access an extensive collection of digital books and manuals with just a few clicks. These resources, available in PDF, Microsoft Word, and PowerPoint formats, cater to a wide range of interests, including literature, technology, science, history, and much more. One notable platform where you can explore and download free Users Manual For Circuitmaker 6 Pro PDF books and manuals is the internet's largest free library. Hosted online, this catalog compiles a vast assortment of documents, making it a veritable goldmine of knowledge. With its easy-to-use website interface and customizable PDF generator, this platform offers a user-friendly experience, allowing individuals to effortlessly navigate and access the information they seek. The availability of free PDF books and manuals on this platform demonstrates its commitment to democratizing education and empowering individuals with the tools needed to succeed in their chosen fields. It allows anyone, regardless of their background or financial limitations, to expand their horizons and gain insights from experts in various disciplines. One of the most significant advantages of downloading PDF books and manuals lies in their portability. Unlike physical copies, digital books can be stored and carried on a single device, such as a tablet or smartphone, saving valuable space and weight. This convenience makes it possible for readers to have their entire library at their fingertips, whether they are commuting, traveling, or simply enjoying a lazy afternoon at home. Additionally, digital files are easily searchable, enabling readers to locate specific information within seconds. With a few keystrokes, users can search for keywords, topics, or phrases, making research and finding relevant information a breeze. This efficiency saves time and effort, streamlining the learning process and allowing individuals to focus on extracting the information they need. Furthermore, the availability of free PDF books and manuals fosters a culture of continuous learning. By removing financial barriers, more people can access educational resources and pursue lifelong learning, contributing to personal growth and professional development. This democratization of knowledge promotes intellectual curiosity and empowers individuals to become lifelong learners, promoting progress and innovation in various fields. It is worth noting that while accessing free Users Manual For Circuitmaker 6 Pro PDF books and manuals is convenient and cost-effective, it is vital to respect copyright laws and intellectual property rights. Platforms offering free downloads often operate within legal boundaries, ensuring that the materials they provide are either in the public domain or authorized for distribution. By adhering to copyright laws, users can enjoy the benefits of free access to knowledge while supporting the authors and publishers who make these resources available. In conclusion, the availability of Users Manual For Circuitmaker 6 Pro free PDF books and manuals for download has revolutionized the way we access and consume knowledge. With just a few clicks, individuals can explore a vast collection of resources across different disciplines, all free of charge. This accessibility empowers individuals to become lifelong learners, contributing to personal growth, professional development, and the advancement of society as a whole. So why not unlock a world of knowledge today? Start exploring the vast sea of free PDF books and manuals waiting to be discovered right at your fingertips.

## FAQs About Users Manual For Circuitmaker 6 Pro Books

How do I know which eBook platform is the best for me? Finding the best eBook platform depends on your reading preferences and device compatibility. Research different platforms, read user reviews, and explore their features before making a choice. Are free eBooks of good quality? Yes, many reputable platforms offer high-quality free eBooks, including classics and public domain works. However, make sure to verify the source to ensure the eBook credibility. Can I read eBooks without an eReader? Absolutely! Most eBook platforms offer webbased readers or mobile apps that allow you to read eBooks on your computer, tablet, or smartphone. How do I avoid digital eye strain while reading eBooks? To prevent digital eye strain, take regular breaks, adjust the font size and background color, and ensure proper lighting while reading eBooks. What the advantage of interactive eBooks? Interactive eBooks incorporate multimedia elements, quizzes, and activities, enhancing the reader engagement and providing a more immersive learning experience. Users Manual For Circuitmaker 6 Pro is one of the best book in our library for free trial. We provide copy of Users Manual For Circuitmaker 6 Pro in digital format, so the resources that you find are reliable. There are also many Ebooks of related with Users Manual For Circuitmaker 6 Pro. Where to download Users Manual For Circuitmaker 6 Pro online for free? Are you looking for Users Manual For Circuitmaker 6 Pro PDF? This is definitely going to save you time and cash in something you should think about. If you trying to find then search around for online. Without a doubt there are numerous these available and many of them have the freedom. However without doubt you receive whatever you purchase. An alternate way to get ideas is always to check another Users Manual For Circuitmaker 6 Pro. This method for see exactly what may be included and adopt these ideas to your book. This site will almost certainly help you save time and effort, money and stress. If you are looking for free books then you really should consider finding to assist you try this. Several of Users Manual For Circuitmaker 6 Pro are for sale to free while some are payable. If you arent sure if the books you would like to download works with for usage along with your computer, it is possible to download free trials. The free guides make it easy for someone to free access online library for download books to your device. You can get free download on free trial for lots of books categories. Our library is the biggest of these that have literally hundreds of thousands of different products categories represented. You will also see that there are specific sites catered to different product types or categories, brands or niches related with Users Manual For Circuitmaker 6 Pro. So depending on what exactly you are searching, you will be able to choose e books to suit your own need. Need to access completely for Campbell Biology Seventh Edition book? Access Ebook without any digging. And by having access to our ebook online or by storing it on your computer, you have convenient answers with Users Manual For Circuitmaker 6 Pro To get started finding Users Manual For Circuitmaker 6 Pro, you are right to find our website which has a comprehensive collection of books online. Our library is the biggest of these that have literally hundreds of thousands of different products represented. You will also see that there are specific sites catered to different categories or niches related



with Users Manual For Circuitmaker 6 Pro So depending on what exactly you are searching, you will be able to choose ebook to suit your own need. Thank you for reading Users Manual For Circuitmaker 6 Pro. Maybe you have knowledge that, people have search numerous times for their favorite readings like this Users Manual For Circuitmaker 6 Pro, but end up in harmful downloads. Rather than reading a good book with a cup of coffee in the afternoon, instead they juggled with some harmful bugs inside their laptop. Users Manual For Circuitmaker 6 Pro is available in our book collection an online access to it is set as public so you can download it instantly. Our digital library spans in multiple locations, allowing you to get the most less latency time to download any of our books like this one. Merely said, Users Manual For Circuitmaker 6 Pro is universally compatible with any devices to read.

### **Find Users Manual For Circuitmaker 6 Pro :**

[toyota forklift operator manual 7fd](#)

[toyota fielder workshop manual](#)

~~[toyota hiace 2-8 diesel workshop manual](#)~~

[toyota corolla 2012 manual transmission](#)

[toyota hiace 4wd manual](#)

**toyota forklift repair training**

[toyota land cruiser 1 wiring](#)

[toyota gt 86 manual](#)

[toyota corolla 2015 factory service manual](#)

**toyota corolla ae100 user manual**

~~[toyota estima lucida repair manual](#)~~

**toyota corolla wiring schematic**

[toyota e11 manual](#)

[toyota highlander 2011 maintenance schedule](#)

**toyota land cruiser 120 manual taller**

### **Users Manual For Circuitmaker 6 Pro :**

**woman on top tips on getting pleasure and comfort in the** - Mar 15 2023

web aug 30 2022 the woman on top position gives women control and an opportunity to take charge kgomotso offers tips for

the woman on top position be comfortable do something that feels good and comfortable to you some women might be comfortable doing it with their knees on the bed while others prefer squatting

**7 tips melakukan woman on top agar tak mudah lelah popmama** - Aug 20 2023

web nah itulah ketujuh tips melakukan woman on top agar tak mudah lelah selain ketujuh hal di atas jangan lupa juga untuk tetap melakukan eye contact bersama pasangan saat berada di atas ya jadi sudah siap untuk mencobanya malam ini

**5 woman on top sex position tips sheknows** - May 17 2023

web sep 8 2023 don t love being on top during sex these expert approved tips and tricks might change your mind or make you more comfortable

**30 woman on top sex positions netmums** - Sep 21 2023

web jul 10 2020 30 woman on top positions for your inspiration here are thirty ideas for positions where the woman is dominant because she controls the situation and the intensity of gestures and movements during the sexual act butterfly union goddess rider amazon lotus flower rocking horse intertwined frog contortionist each position

*16 woman on top sex positions to try immediately yahoo* - Oct 22 2023

web aug 21 2020 a woman on top sex position will let your partner dictate the depth angle and speed of penetration plus it may be able to help them reach orgasm more easily says reba thomas a pleasure

**5 cara bercinta women on top yang benar doktersehat** - Apr 16 2023

web jun 25 2018 doktersehat com posisi woman on top adalah satu dari sekian banyak posisi seks yang cukup banyak dilakukan dan favorit pria dan wanita dengan posisi seks ini pria akan mendapatkan kenikmatan besar karena wanita mengambil alih tugasnya

cowgirl position sex tips to perfect the woman on top netdoctor - Jun 18 2023

web feb 4 2022 cowgirl position a step by step guide the cowgirl position is an easy to perform woman on top position says mckenzie while this article refers to sex between a woman or a person with a vagina

women on top position videos and hd footage getty images - Feb 14 2023

web browse 10 670 women on top position videos and clips available to use in your projects or start a new search to explore more footage and b roll video clips browse getty images premium collection of high quality authentic women on top position stock videos and stock footage royalty free 4k hd and analog stock women on top position videos

**posisi woman on top kelebihan dan kekurangan gaya bercinta** - Jul 19 2023

web nov 7 2021 tim wolipop wolipop minggu 07 nov 2021 21 30 wib kelebihan dan kekurangan posisi woman on top foto getty images istockphoto stefanamer jakarta survei membuktikan posisi woman on top adalah posisi seks favorit wanita namun posisi woman on top ini memiliki kelebihan dan kekurangan

[women on top position videos and hd footage getty images](#) - Jan 13 2023

web browse 10 721 women on top position videos and clips available to use in your projects or start a new search to explore more footage and b roll video clips browse getty images premium collection of high quality authentic women on top position stock videos and stock footage royalty free 4k hd and analogue stock women on top position

*a new history of southeast asia by m c ricklefs goodreads* - Jul 02 2022

web m c ricklefs bruce lockhart albert lau 3 96 57 ratings6 reviews a new comprehensive one volume history of southeast asia that spans prehistory to the present ricklefs brings together colleagues at the national university of singapore whose expertise covers the entire region encompassing political social economic religious and

**a new history of southeast asia worldcat org** - Nov 06 2022

web summary a new comprehensive one volume history of southeast asia that spans prehistory to the present ricklefs brings together colleagues at the national university of singapore whose expertise covers the entire region encompassing political social economic religious and cultural history

*southeast asia wikipedia* - Mar 30 2022

web definition edit states and regions of southeast asia the region together with part of south asia was well known by europeans as the east indies or simply the indies until the 20th century chinese sources referred the region as nanyang ☐☐ which literally means the southern ocean

**southeast asian studies at the lse historical legacies** - Feb 26 2022

web sep 14 2023 the lse s saw swee hock southeast asia centre has a distinctive role to play as a hub and host for southeast asian studies in london the uk europe and beyond writes seac director professor john t sidel as the incoming director of lse s saw swee hock southeast asia centre i m embarking on this new role and set of

[a new history of southeast asia](#) - Aug 15 2023

web a new history of southeast asia was conceived as a new edition of d g e hall s monumental 1000 page tome a history of south east asia first published in 1955 and reprinted in several revised editions until as late as 1985

*the search for the history of southeast asia* - Dec 27 2021

web view southeast asia as a backcloth for european expansion 4 before we begin to examine the emergence of the new concept of a southeast asia with its own history we may note in passing a work which has made an intel lectual impact greater than any of the books which follow and yet belongs to the

*history of southeast asia wikipedia* - Jun 01 2022

web the history of southeast asia covers the people of southeast asia from prehistory to the present in two distinct sub regions mainland southeast asia or indochina and maritime southeast asia or insular southeast asia

*a new history of southeast asia worldcat org - Sep 04 2022*

web a new comprehensive one volume history of southeast asia that spans prehistory to the present ricklefs brings together colleagues at the national university of singapore whose expertise covers the entire region encompassing political social economic religious and cultural history

*the emergence of modern southeast asia a new history - Jan 08 2023*

web nov 30 2004 the emergence of modern southeast asia offers a new and up to date perspective on this complex region although it does not neglect nation building the central theme of its popular and long lived predecessor in search of southeast asia the present work focuses on economic and social history gender and ecology it describes the long

**history of southeast asia facts kingdoms maps britannica - Feb 09 2023**

web history of southeast asia from prehistoric times to the contemporary period this vast area is situated east of the indian subcontinent and south of china it consists of a continental projection and a string of archipelagoes to the south and east of the mainland

**new perspectives on the history and historiography of southeast asia - Aug 03 2022**

web description using a unique old new treatment this book presents new perspectives on several important topics in southeast asian history and historiography based on original primary research it reinterprets and revises several long held conventional views in the field covering the period from the classical age to the twentieth century

**a new history of southeast asia 2010th edition amazon com - Jul 14 2023**

web nov 19 2010 a new comprehensive one volume history of southeast asia that spans prehistory to the present ricklefs brings together colleagues at the national university of singapore whose expertise covers the entire region encompassing political social economic religious and cultural history

*a new history of southeast asia review researchgate - Apr 11 2023*

web jan 1 2011 a new history of southeast asia was conceived as a new edition of d g e hall s monumental 1000 page tome a history of south east asia first published in 1955 and reprinted in

*a new history of southeast asia paperback 19 nov 2010 - Apr 30 2022*

web nov 19 2010 a new comprehensive one volume history of southeast asia that spans prehistory to the present ricklefs brings together colleagues at the national university of singapore whose expertise covers the entire region encompassing political social economic religious and cultural history

southeast asia map islands countries culture facts - Jan 28 2022

web sep 11 2023 southeast asia vast region of asia situated east of the indian subcontinent and south of china it consists of two dissimilar portions a continental projection commonly called mainland southeast asia and a string of archipelagoes to the

south and east of the mainland insular southeast asia extending some 700 miles 1 100 km southward

[the emergence of modern southeast asia a new history](#) - Dec 07 2022

web this volume offers a new and up to date perspective on southeast asia although it does not neglect nation building the central theme of its popular and long lived predecessor in search of southeast asia the present work focuses on economic and social history gender and ecology

[merle c ricklefs ed a new history of southeast asia xxxi](#) - Mar 10 2023

web this book is the overdue successor to the major historical work on south east asia d g e hall s history of southeast asia though updated on several occasions hall s work has become outdated in more than one respect but as merle ricklefs points out in his introduction writing a completely new version simply exceeded the capacities of a

**a new history of southeast asia google books** - Jun 13 2023

web nov 19 2010 a new comprehensive one volume history of southeast asia that spans prehistory to the present ricklefs brings together colleagues at the national university of singapore whose expertise

[the emergence of modern southeast asia a new history](#) - Oct 05 2022

web jan 1 2005 the emergence of modern southeast asia a new history norman g owen university of hawaii press jan 1 2005 history 541 pages 0 reviews reviews aren t verified but google checks for

**a new history of southeast asia bloomsbury publishing** - May 12 2023

web a new comprehensive one volume history of southeast asia that spans prehistory to the present ricklefs brings together colleagues at the national university of singapore whose expertise covers the entire region encompassing political social economic religious and cultural history

👍 👍 👍 👍 👍 👍 👍 - May 11 2023

web 👍 👍 8 2008 at 3 08 👍👍 👍 👍 i am very glad to read this in position of reading i want to fuck somebody if you help me this is very fortune for me because i have not done any

**nani ki manohar kahani youtube** - Feb 25 2022

web nani ki manohar kahani brings your childhood stories to you on a single platform every story has a life and moral lesson associated with it the selection

**mast manohar kahani iriss ac uk** - Mar 09 2023

web 2 mast manohar kahani 2021 02 16 sevasadan arihant publications india limited all of the animals are afraid of the selfish crocodile he never let s them into his river and he s al

[mast manohar kahani wrbb neu edu](#) - Feb 08 2023

web mast manohar kahani is clear in our digital library an online access to it is set as public in view of that you can download



**mast manohar kahani book** - Jul 13 2023

web mast manohar kahani genre in asian film and television mar 15 2020 genre in asian film and television takes a dynamic approach to the study of asian screen media

**mast manohar kahani myhome seedsofinnocence com** - Mar 29 2022

web mast manohar kahani 1 mast manohar kahani recognizing the exaggeration ways to get this ebook mast manohar kahani is additionally useful you have remained in right site

**mast manohar kahani whichissed visionaustralia org** - Dec 06 2022

web title mast manohar kahani author whichissed visionaustralia org 2023 09 03 10 53 08 subject mast manohar kahani keywords mast manohar kahani created date

2022 best new - Nov 24 2021

web feb 7 2022 mastram ki kahani

**manohar kahani love story youtube** - Jun 12 2023

web manohar kahani love story lovestory maststory mastkahaniya mastramkahaniya

**by mast kahani goodreads** - Oct 24 2021

web may 25 2021 read reviews from the world s largest community for readers undefined

**mast manohar kahani pdf china int indonesia travel** - Oct 04 2022

web mast manohar kahani pdf introduction mast manohar kahani pdf pdf the emperor who never was supriya gandhi 2020 01 01 dara shukoh was the heir apparent to the

**mast manohar kahani mail botswanalaws com** - Sep 22 2021

web mast manohar kahani 1 mast manohar kahani when people should go to the books stores search launch by shop shelf by shelf it is in fact problematic this is why we

[mast manohar kahani pdf eshraqgroup](#) - Apr 10 2023

web mast manohar kahani pdf is available in our digital library an online access to it is set as public so you can download it instantly our digital library hosts in multiple locations