

# HYDRAULIC SYSTEM

## 124-3329 VALVE GP-BANK 5-LH

S/N: JJA1-UP

PART OF 341-6675, 342-2640 VALVE & LINKAGE GP  
AN ATTACHMENT

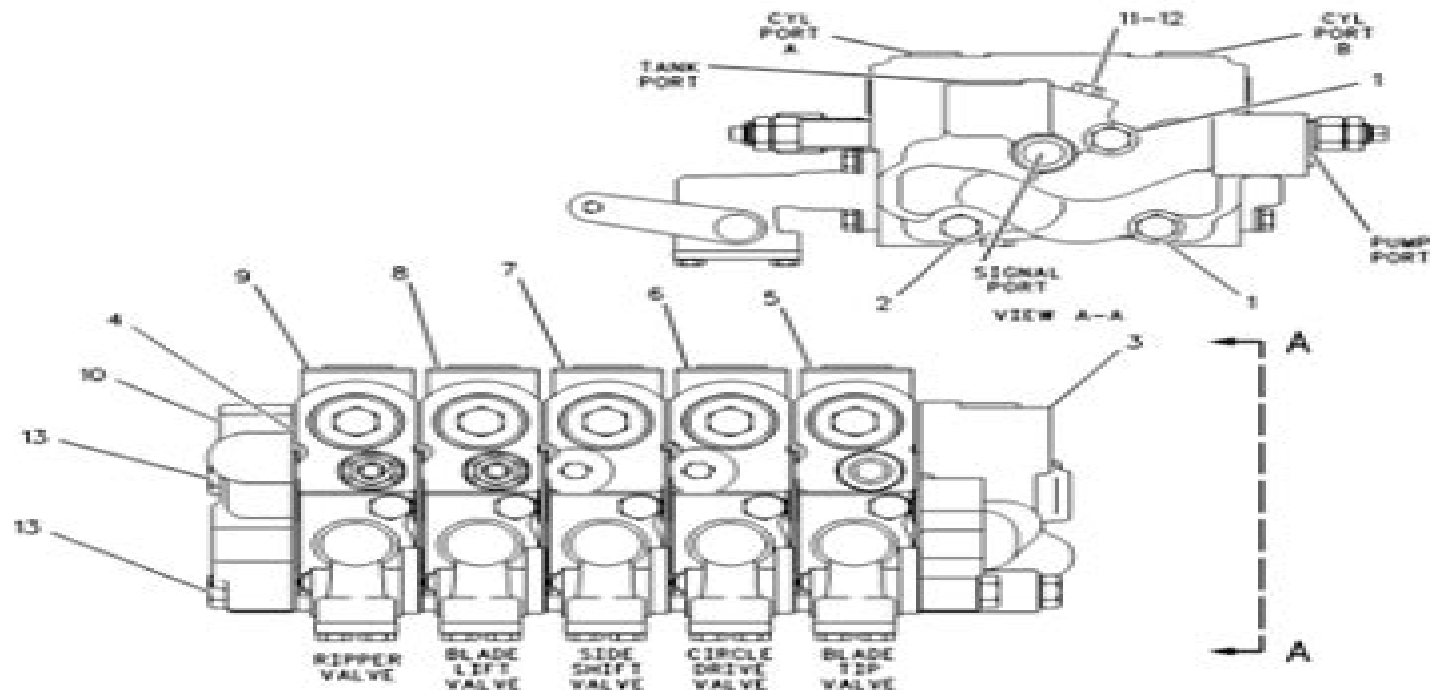
SMCS-5051

100857872

NOTE	REF NO	GRAPHIC REF	PART NUMBER	QTY	PART NAME	1 2 3 4 5 6 (PRODUCT LEVEL)						SEE PAGE	
M	1	1	7X-2546	2	BOLT (M10X1.5X180-MM)								
M	2	1	137-6720	1	BOLT (M10X1.5X160-MM)								
	3	1	102-8385	1	MANIFOLD								
	4	1	101-0509	6	SEAL - INTEGRAL								
Y	5	1	6E-3034	1	VALVE GP-CONTROL (BLADE TIP)								433
Y	6	1	6E-3035	1	VALVE GP-CONTROL (CIRCLE DRIVE)								435
Y	7	1	6E-3036	1	VALVE GP-CONTROL (SIDESHIFT)								437
Y	8	1	124-2883	1	VALVE GP-CONTROL (BLADE LEFT)								443
Y	9	1	107-0545	1	VALVE GP-CONTROL (RIPPER)								441
	10	1	101-9346	1	COVER								
	11	1	95-4180	1	FLUID								
	12	1	4J-7533	1	SEAL - O-RING								
M	13	1	137-6719	3	BOLT (M10X1.5X80-MM)								

M-METRIC PART

Y-SEPARATE ILLUSTRATION



GRAPHIC #1

<END>

g00252814

# Valor 12k Heateruser Manual

**Jin-Ying Zhang**



## **Valor 12k Heateruser Manual:**

When people should go to the book stores, search creation by shop, shelf by shelf, it is really problematic. This is why we provide the book compilations in this website. It will totally ease you to see guide **Valor 12k Heateruser Manual** as you such as.

By searching the title, publisher, or authors of guide you in fact want, you can discover them rapidly. In the house, workplace, or perhaps in your method can be all best area within net connections. If you point toward to download and install the Valor 12k Heateruser Manual, it is definitely simple then, before currently we extend the belong to to purchase and make bargains to download and install Valor 12k Heateruser Manual consequently simple!

<https://movement.livewellcolorado.org/public/Resources/default.aspx/springboard%20geometry%20unit%202%20practice%20answers.pdf>

## **Table of Contents Valor 12k Heateruser Manual**

1. Understanding the eBook Valor 12k Heateruser Manual
  - The Rise of Digital Reading Valor 12k Heateruser Manual
  - Advantages of eBooks Over Traditional Books
2. Identifying Valor 12k Heateruser Manual
  - Exploring Different Genres
  - Considering Fiction vs. Non-Fiction
  - Determining Your Reading Goals
3. Choosing the Right eBook Platform
  - Popular eBook Platforms
  - Features to Look for in an Valor 12k Heateruser Manual
  - User-Friendly Interface
4. Exploring eBook Recommendations from Valor 12k Heateruser Manual
  - Personalized Recommendations
  - Valor 12k Heateruser Manual User Reviews and Ratings

- Valor 12k Heateruser Manual and Bestseller Lists
- 5. Accessing Valor 12k Heateruser Manual Free and Paid eBooks
  - Valor 12k Heateruser Manual Public Domain eBooks
  - Valor 12k Heateruser Manual eBook Subscription Services
  - Valor 12k Heateruser Manual Budget-Friendly Options
- 6. Navigating Valor 12k Heateruser Manual eBook Formats
  - ePub, PDF, MOBI, and More
  - Valor 12k Heateruser Manual Compatibility with Devices
  - Valor 12k Heateruser Manual Enhanced eBook Features
- 7. Enhancing Your Reading Experience
  - Adjustable Fonts and Text Sizes of Valor 12k Heateruser Manual
  - Highlighting and Note-Taking Valor 12k Heateruser Manual
  - Interactive Elements Valor 12k Heateruser Manual
- 8. Staying Engaged with Valor 12k Heateruser Manual
  - Joining Online Reading Communities
  - Participating in Virtual Book Clubs
  - Following Authors and Publishers Valor 12k Heateruser Manual
- 9. Balancing eBooks and Physical Books Valor 12k Heateruser Manual
  - Benefits of a Digital Library
  - Creating a Diverse Reading Collection Valor 12k Heateruser Manual
- 10. Overcoming Reading Challenges
  - Dealing with Digital Eye Strain
  - Minimizing Distractions
  - Managing Screen Time
- 11. Cultivating a Reading Routine Valor 12k Heateruser Manual
  - Setting Reading Goals Valor 12k Heateruser Manual
  - Carving Out Dedicated Reading Time
- 12. Sourcing Reliable Information of Valor 12k Heateruser Manual
  - Fact-Checking eBook Content of Valor 12k Heateruser Manual
  - Distinguishing Credible Sources

- 
13. Promoting Lifelong Learning
    - Utilizing eBooks for Skill Development
    - Exploring Educational eBooks
  14. Embracing eBook Trends
    - Integration of Multimedia Elements
    - Interactive and Gamified eBooks

### **Valor 12k Heateruser Manual Introduction**

In today's digital age, the availability of Valor 12k Heateruser Manual books and manuals for download has revolutionized the way we access information. Gone are the days of physically flipping through pages and carrying heavy textbooks or manuals. With just a few clicks, we can now access a wealth of knowledge from the comfort of our own homes or on the go. This article will explore the advantages of Valor 12k Heateruser Manual books and manuals for download, along with some popular platforms that offer these resources. One of the significant advantages of Valor 12k Heateruser Manual books and manuals for download is the cost-saving aspect. Traditional books and manuals can be costly, especially if you need to purchase several of them for educational or professional purposes. By accessing Valor 12k Heateruser Manual versions, you eliminate the need to spend money on physical copies. This not only saves you money but also reduces the environmental impact associated with book production and transportation. Furthermore, Valor 12k Heateruser Manual books and manuals for download are incredibly convenient. With just a computer or smartphone and an internet connection, you can access a vast library of resources on any subject imaginable. Whether you're a student looking for textbooks, a professional seeking industry-specific manuals, or someone interested in self-improvement, these digital resources provide an efficient and accessible means of acquiring knowledge. Moreover, PDF books and manuals offer a range of benefits compared to other digital formats. PDF files are designed to retain their formatting regardless of the device used to open them. This ensures that the content appears exactly as intended by the author, with no loss of formatting or missing graphics. Additionally, PDF files can be easily annotated, bookmarked, and searched for specific terms, making them highly practical for studying or referencing. When it comes to accessing Valor 12k Heateruser Manual books and manuals, several platforms offer an extensive collection of resources. One such platform is Project Gutenberg, a nonprofit organization that provides over 60,000 free eBooks. These books are primarily in the public domain, meaning they can be freely distributed and downloaded. Project Gutenberg offers a wide range of classic literature, making it an excellent resource for literature enthusiasts. Another popular platform for Valor 12k Heateruser Manual books and manuals is Open Library. Open Library is an initiative of the Internet Archive, a non-profit organization dedicated to digitizing cultural artifacts and making them accessible to the public.

---

Open Library hosts millions of books, including both public domain works and contemporary titles. It also allows users to borrow digital copies of certain books for a limited period, similar to a library lending system. Additionally, many universities and educational institutions have their own digital libraries that provide free access to PDF books and manuals. These libraries often offer academic texts, research papers, and technical manuals, making them invaluable resources for students and researchers. Some notable examples include MIT OpenCourseWare, which offers free access to course materials from the Massachusetts Institute of Technology, and the Digital Public Library of America, which provides a vast collection of digitized books and historical documents. In conclusion, Valor 12k Heateruser Manual books and manuals for download have transformed the way we access information. They provide a cost-effective and convenient means of acquiring knowledge, offering the ability to access a vast library of resources at our fingertips. With platforms like Project Gutenberg, Open Library, and various digital libraries offered by educational institutions, we have access to an ever-expanding collection of books and manuals. Whether for educational, professional, or personal purposes, these digital resources serve as valuable tools for continuous learning and self-improvement. So why not take advantage of the vast world of Valor 12k Heateruser Manual books and manuals for download and embark on your journey of knowledge?

## **FAQs About Valor 12k Heateruser Manual Books**

1. Where can I buy Valor 12k Heateruser Manual books? Bookstores: Physical bookstores like Barnes & Noble, Waterstones, and independent local stores. Online Retailers: Amazon, Book Depository, and various online bookstores offer a wide range of books in physical and digital formats.
2. What are the different book formats available? Hardcover: Sturdy and durable, usually more expensive. Paperback: Cheaper, lighter, and more portable than hardcovers. E-books: Digital books available for e-readers like Kindle or software like Apple Books, Kindle, and Google Play Books.
3. How do I choose a Valor 12k Heateruser Manual book to read? Genres: Consider the genre you enjoy (fiction, non-fiction, mystery, sci-fi, etc.). Recommendations: Ask friends, join book clubs, or explore online reviews and recommendations. Author: If you like a particular author, you might enjoy more of their work.
4. How do I take care of Valor 12k Heateruser Manual books? Storage: Keep them away from direct sunlight and in a dry environment. Handling: Avoid folding pages, use bookmarks, and handle them with clean hands. Cleaning: Gently dust the covers and pages occasionally.
5. Can I borrow books without buying them? Public Libraries: Local libraries offer a wide range of books for borrowing.

Book Swaps: Community book exchanges or online platforms where people exchange books.

6. How can I track my reading progress or manage my book collection? Book Tracking Apps: Goodreads, LibraryThing, and Book Catalogue are popular apps for tracking your reading progress and managing book collections. Spreadsheets: You can create your own spreadsheet to track books read, ratings, and other details.
7. What are Valor 12k Heateruser Manual audiobooks, and where can I find them? Audiobooks: Audio recordings of books, perfect for listening while commuting or multitasking. Platforms: Audible, LibriVox, and Google Play Books offer a wide selection of audiobooks.
8. How do I support authors or the book industry? Buy Books: Purchase books from authors or independent bookstores. Reviews: Leave reviews on platforms like Goodreads or Amazon. Promotion: Share your favorite books on social media or recommend them to friends.
9. Are there book clubs or reading communities I can join? Local Clubs: Check for local book clubs in libraries or community centers. Online Communities: Platforms like Goodreads have virtual book clubs and discussion groups.
10. Can I read Valor 12k Heateruser Manual books for free? Public Domain Books: Many classic books are available for free as they're in the public domain. Free E-books: Some websites offer free e-books legally, like Project Gutenberg or Open Library.

### **Find Valor 12k Heateruser Manual :**

*springboard geometry unit 2 practice answers*

[sprint htc hard reset touch pro 2](#)

*spyware ispynow manual removal*

**spirit lx7 user manual**

~~spreadsheet modeling decision analysis 5e solution manual~~

**spss guide forecasting**

**sri lankan teachers guide science grade 10**

*sr 400 carburetor manual*

~~springboard algebra 1 teacher edition~~

**spring board math course 2 pg 156 answer key**

*square root functions evaluation pi unit 6 lesson 1*

**springboard algebra 1 book**



**sports car manual transmission**

*spiritual commentary on mark*

**springboard 8th grade language arts answers**

**Valor 12k Heateruser Manual :**

**randy pausch s last lecture carnegie mellon university** - Sep 22 2023

web the last lecture book dvd millions of copies have been sold making the last lecture a favorite of kids parents and teachers around the world fellow carnegie mellon alumnus the late jeff zaslow joined randy pausch in writing the book based on randy s famous speech buy book about the book for educators disney edition

*the last lecture wikipedia* - Oct 23 2023

web the last lecture is a 2008 new york times best selling book co authored by randy pausch a professor of computer science human computer interaction and design at carnegie mellon university in pittsburgh pennsylvania and jeffrey zaslow of

**the last lecture by pausch randy amazon com** - Jul 20 2023

web apr 8 2008 jeff is best known for the last lecture written with randy pausch which has been translated into 48 languages and was 1 on best seller lists worldwide five million copies have been sold in english alone and the book remained on the new york times best seller list for more than 112 weeks

the last lecture study guide literature guide litcharts - Feb 15 2023

web welcome to the litcharts study guide on randy pausch s the last lecture created by the original team behind sparknotes litcharts are the world s best literature guides the last lecture introduction a concise biography of randy pausch plus historical and literary context for the last lecture the last lecture plot summary

**randy pausch s last lecture carnegie mellon university** - Apr 17 2023

web a book version the last lecture co written by jeff zaslow of the wall street journal and a fellow carnegie mellon alumnus became a bestseller upon its release pausch maintained a page on his personal website with day

*randy pausch speaker ted* - Jun 19 2023

web website randy pausch s homepage book the last lecture ted speaker carnegie mellon professor randy pausch motivated thousands of students with his passionate teaching millions more around the world found inspiration in his moving last lecture

**the last lecture by randy pausch plot summary litcharts** - May 18 2023

web the last lecture recounts the life of randy pausch from childhood until just before his death which occurs a few months after the book s publication it opens with randy stating that he has only a few months left to live and he is a father to three



---

by the sobriquet sultan of the theologians was an influential muslim polymath scientist and one of the pioneers of inductive logic he wrote various works in the fields of medicine chemistry physics astronomy cosmology literature

**tafseer al fakhr al razi tafseer al kabeer arabic** - Jul 16 2022

web jan 18 2013 tafseer al fakhr al razi tafseer al kabeer arabic bookreader item preview remove circle share or embed this item share to twitter share to facebook share to reddit share to tumblr share to pinterest share via email embed embed for wordpress com hosted blogs and archive org

*part 2 tafseer razi urdu australian islamic library* - Jul 28 2023

web dec 15 2016 part 2 tafseer razi urdu australian islamic library topics part 2 tafseer razi urdu australian islamic library collection opensource language english part 2 tafseer razi urdu australian islamic library addeddate

**github** - Mar 12 2022

web payload allshortcutsenabled false filetree conf items name 2011 evaluacion objetiva de fisica vectorial de vallejo zambrano descarga el pdf gratis

tafseer e kabeer imam razi in urdu tibt4all - Nov 20 2022

web aug 17 2021 tafseer e kabeer imam razi in urdu ﻛﻮﺗﻮﺏ ﻛﻮﺗﻮﺏ ﻛﻮﺗﻮﺏ ﻛﻮﺗﻮﺏ ﻛﻮﺗﻮﺏ ﻛﻮﺗﻮﺏ ﻛﻮﺗﻮﺏ islamic books ﻛﻮﺗﻮﺏ ﻛﻮﺗﻮﺏ kutub tafsir ﻛﻮﺗﻮﺏ ﻛﻮﺗﻮﺏ

**tafsir al kabir by imam fakhr al din al razi 32 vol in 16 books** - Oct 19 2022

web isbn 9782745130051 publisher dar kotob al ilmiyah dki about the book this is the work of imam fakhr al din al razi died 606 hijrah its real name is mafatih al ghayb but is popularly known as tafsir kabir

**tafseer sura kausar by imam fakharuddin razi r a** ﻛﻮﺗﻮﺏ ﻛﻮﺗﻮﺏ ﻛﻮﺗﻮﺏ - Apr 25 2023

web may 18 2021 tafseer sura kausar by imam fakharuddin razi r a ﻛﻮﺗﻮﺏ ﻛﻮﺗﻮﺏ ﻛﻮﺗﻮﺏ imam razi allama muhammad khan qadri ﻛﻮﺗﻮﺏ ﻛﻮﺗﻮﺏ ﻛﻮﺗﻮﺏ free download borrow and streaming internet archive

pdf al razi researchgate - May 14 2022

web jan 1 2016 hallaq w b the logic of legal reasoning in religious and non religious cultures the case of islamic law and the common law cleveland state law review 34 1985 1986 pgs 79 96 the

**urdu tafaseer free download islamic research centre** - Jun 27 2023

web jan 9 2019 kindly share link for tafseer e kabeer by imam fakharuddin razi in urdu if someone have naumanee gmail com 24 september 2022 at 21 12 00 gmt 5

*tafseer e kabeer imam razi urdu pdf download slideserve* - May 26 2023

web aug 7 2021 name ali title ar reza imam e zamin designation 8th imam kuniyat abul hasan father musa ibne ja far mother bibi suttana umul baleens born 11th dhul qaida 148ah 765ad died 17 29th safar 203ah 818ad martyred poisoned by

mamoon

**fazal e qadeer urdu tarjma tafseer e kabeer pdf the library pk** - Mar 24 2023

web description the book fazal e qadeer urdu is an urdu translation of tafseer e kabeer pdf imam fakhar ud razi is the author of the arabic edition it is an excellent explanation of the holy quran which is famous worldwide among muslims it has been translated into other languages of the world imam fakhar ud razi was a great scholar of islam

ahkam ul quran by imam abu bakr jassas razi hanafi ra urdu - Jun 15 2022

web dec 29 2016 ahkam ul quran by imam abu bakr jassas razi hanafi ra urdu topics imam abu bakr jassas razi hanafi ra ahkam ul quran collection booksbylanguage urdu 2016 12 29 16 32 17 identifier ahkam ul quran by jassas razi urdu identifier ark ark 13960 t0vq8072x ocr tesseract 5 2 0 1 gc42a ocr detected lang ur

download book al razi tafsir al kabeerj 15 pdf noor library - Feb 23 2023

web 15؁ ؁؁؁؁؁؁ ؁؁؁؁؁؁ ؁؁؁؁؁؁ ؁؁؁؁؁؁ the great interpretation the interpretation of al razi al razi s interpretation of the keys to the unseen interpretation of imam al razi proportionality in the interpretation of imam al razi read download

tafsir imam razi urdu sam arabtravelers com - Jan 10 2022

web tafsir imam razi urdu 3 3 cited quoted al kabir al tafsir al kabir tafsir notes of imam ibn taymiyyah d 728 a h collected by dr abdul rahman umayrah alusi ruh ruh al ma ani fi tafsir qur an al azim wa al sab al mathani by shihab al din sayyid mahmood alusi d 1291 a h ibn jarir tabari jami al bayan fi tafsir al qur an by ibn jarir al

*tafsir al razi wikipedia* - Jan 22 2023

web mafatih al ghayb arabic ؁؁؁؁؁؁ ؁؁؁؁؁؁ lit keys to the unknown usually known as al tafsir al kabir arabic ؁؁؁؁؁؁ ؁؁؁؁؁؁ lit the large commentary is a classical islamic tafsir book written by the twelfth century islamic theologian and philosopher fakhruddin razi d 1210 1 the book is an exegesis and commentary on the qur an

*ewf iiw diploma design and construction advanced twi* - Jun 01 2022

web advanced course ewf iiw welding diploma training for the international welding engineer iab 252 responsibility for welding coordination iso 3834 iso 14731

*ewf iiw diploma twi middle east* - Dec 07 2022

web international welding diplomas in the middle east contact us the european federation for welding joining and cutting ewf and international institute of welding iiw diplomas are widely accepted by employers as high quality vocational education in *online delivery international institute of welding iiw international* - Jan 08 2023

web as the premier welding certification body in australia an international institute of welding iiw authorised nominated body anb and an authorised training body atb weld australia offers a range of individual certifications including welding inspector welding specialist welding technologist welding engineer

international institute of welding diplomas cw b group - Jul 14 2023

web the cw b group is the authorized national body an b for the international institute of welding iiw in canada and is issuing diplomas to welding professionals at four levels international welding engineer international welding technologist international welding specialist international welding practitioner

**program guide cw b group** - Apr 30 2022

web diploma in welding materials mechanical or civil engineering technology international welding engineer diploma through the iiw international welding technologist diploma through the iiw international welding specialist diploma through the iiw certified welding inspector under csa w178 2 any level accepted welding engineer under

international welding engineer iwe iwt iwip c exam - May 12 2023

web jun 27 2023 international welding engineer exam questions material and their behavior for cwi and cswip prepare for the international welding engineer iwe international welding technologist iwt and international welding inspection personnel iwip c exams with comprehensive questions and answers

of welding iiw international welding inspector standard weld - Jul 02 2022

web recognised international institute of welding iiw international welding inspector standard iwi s qualification this course provides advanced knowledge of welding and inspection theory and application including ndt mechanical and visual inspection techniques inspection procedures

**welding greek institute wgi** - Feb 26 2022

web international welding technologist iwt international welding specialist iws international welding practitioner iwp qa qc welding coordinator questions and answers for candidates Ερωτήσεις και Απαντήσεις για Υποψηφίους wcp inspectors qualification international welding inspector iwi basic

**international institute of welding** - Apr 11 2023

web welcome to iiw the world leading network in materials joining researchers industry practitioners and educators students and young professionals from over 51 countries worldwide are all part of the collaborative working platform of

**ewf iiw welding diploma twi training** - Aug 03 2022

web international european welding technologist or engineer diploma the twi diploma in welding technology provides a signification contribution towards some higher education courses talk to your chosen college to discuss your options and what cats credits they would award entry examination some of the entry requirements for the specialist

welder examination certificate in the accredited - Mar 30 2022

web oct 23 2020 welder examination certificate in the accredited dvs perszert system 2020 was the year when the gsi international association of welding technology reorganized their established system for conducting welder examinations in

---

all of their slvs welding training centers

*iwe iwt iws course 2023 gsi e learning* - Oct 05 2022

web international welding engineer iwe international welding technologist iwt international welding specialist iws course according to iiw guideline iab 252r1 r5 19 the course leads to a diploma which is required according to

**iiw international welding specialist iws weld australia** - Sep 04 2022

web after three years experience in the sector you may then apply to become an iiw certified international welding specialist ciws course exam costs all course modules are paid for individually while examinations incur an additional cost exam enrolments and payments are conducted through weld australia s weldq platform

iiw diploma of international specialist iws twi south east asia - Feb 09 2023

web iiw diploma of international specialist iws consists of 6 modules and in order to get certified as a specialist candidates need to successfully complete all 6 modules the modules can be taken in any order within 3 years but fabrication and application module is typically done as the last module

**iiw guideline for international welding engineers technologists** - Mar 10 2023

web iab 252r5 19 sv 01 iiw guideline for international welding engineers technologists specialists and practitioners personnel with qualification for welding coordination minimum requirements for the education examination and qualification copyright european federation for welding joining and cutting ewf

*international institute of welding qualification and certification* - Jun 13 2023

web the iab works continuously towards the interests of the international welding community and its development worldwide via its anbs authorised nominated bodies in what regards the personnel qualification and certification and via the anbccs authorised nominated bodies for companies certification in what regards the manufacturers certificati

international welding diplomas twi training - Aug 15 2023

web international welding inspector practitioner technologist iwt design and construction intermediate fabrication and application intermediate materials and their behaviour intermediate welding processes and equipment intermediate engineer iwe design and construction advanced fabrication and application advanced

**iwe iwt iws iwip c exam questions answers material welding** - Jan 28 2022

web jul 3 2023 material welding is run by highly experienced welding engineers welding trainers asnt ndt level iii bloggers we strive to provide most accurate and practical knowledge in welding metallurgy ndt and engineering domains

**ewf iiw diploma practical welding technology twi training** - Nov 06 2022

web this course follows guidelines for practical training in mma tig mig mag and oxyfuel gas cutting and welding processes the module provides you with supervised project work at varying levels to suit your background experience

**icc welding special inspector certification training si certs - Dec 27 2021**

web the icc welding certification builds a foundation for welding inspection and the highly desired cwi certification you can take both s1 and s2 training courses with the si certs steel bundle package above and save