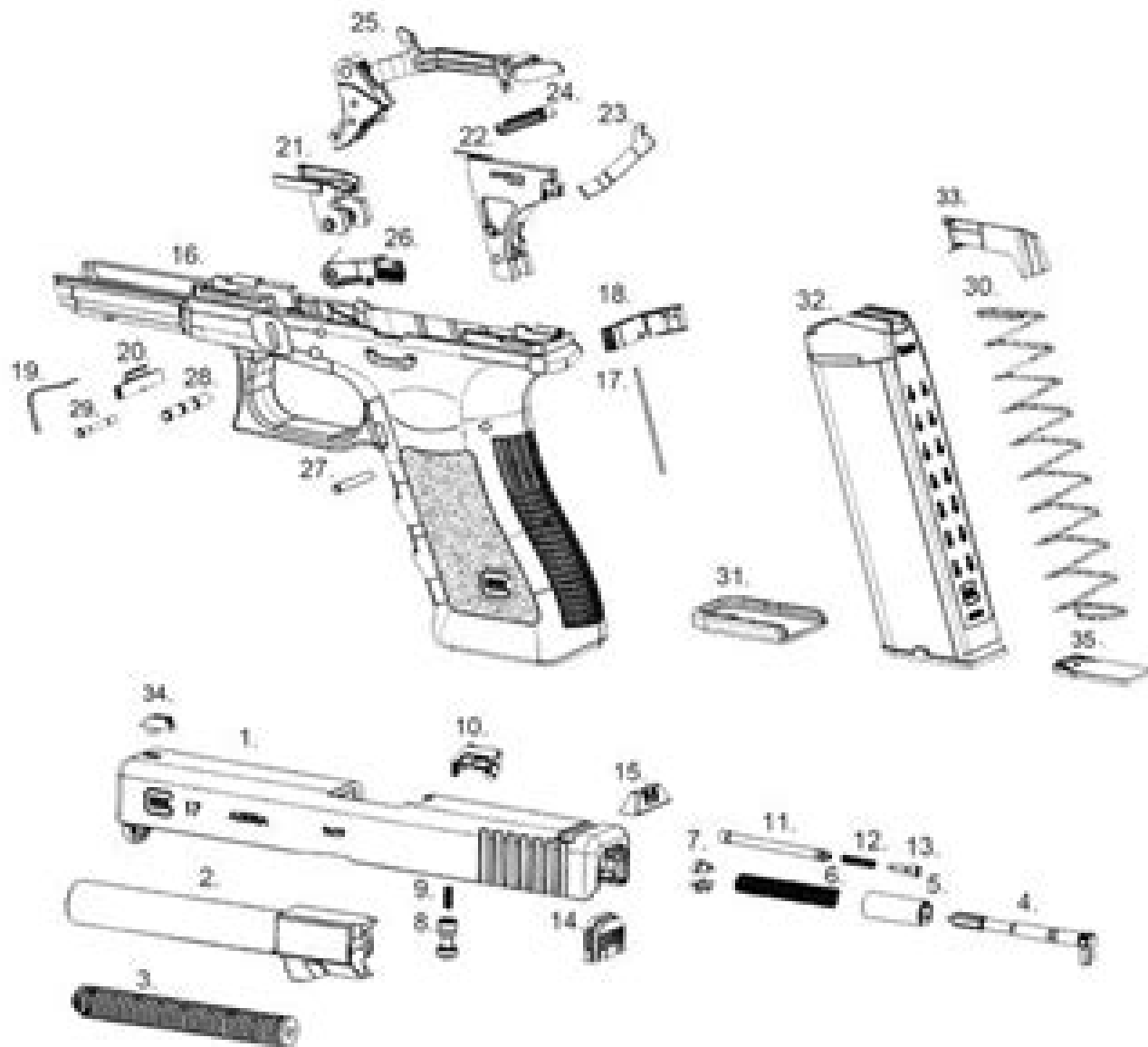




PERFECTION

4th Generation Glock 17

1	Slide
2	Barrel
3	Recoil Spring Assembly
4	Firing Pin
5	Spacer Sleeve
6	Firing Pin Spring
7	Spring Cups
8	Firing Pin Safety
9	Firing Pin Safety Spring
10	Extractor
11	Extractor Depressor Plunger
12	Extractor Depressor Plunger Spring
13	Spring Loaded Bearing
14	Slide Cover Plate
15	Rear Sight
16	Frame
17	Magazine Catch Spring
18	Magazine Catch
19	Slide Lock Spring
20	Slide Lock
21	Locking Block
22	Trigger Mechanism Housing
23	Connector
24	Trigger Spring
25	Trigger with Trigger Bar
26	Slide Stop Lever
27	Trigger Pin
28	Trigger Housing Pin
29	Locking Block Pin
30	Magazine Spring
31	Magazine Floor Plate
32	Magazine Tube
33	Follower
34	Front Sight
35	Magazine Insert



Users Manual Glock 17 Gen 4

Graham Moore, Robert A. Sadowski

A red circular graphic with a gradient, appearing as a partial circle on the right side of the page, overlapping the light blue bar.

Users Manual Glock 17 Gen 4:

This is likewise one of the factors by obtaining the soft documents of this **Users Manual Glock 17 Gen 4** by online. You might not require more get older to spend to go to the book commencement as well as search for them. In some cases, you likewise reach not discover the proclamation Users Manual Glock 17 Gen 4 that you are looking for. It will agreed squander the time.

However below, like you visit this web page, it will be thus entirely simple to get as without difficulty as download lead Users Manual Glock 17 Gen 4

It will not bow to many time as we explain before. You can pull off it even though feat something else at home and even in your workplace. so easy! So, are you question? Just exercise just what we have enough money under as without difficulty as review **Users Manual Glock 17 Gen 4** what you once to read!

<https://movement.livewellcolorado.org/book/Resources/index.jsp/Songs%20Of%20Enchantment.pdf>

Table of Contents Users Manual Glock 17 Gen 4

1. Understanding the eBook Users Manual Glock 17 Gen 4
 - The Rise of Digital Reading Users Manual Glock 17 Gen 4
 - Advantages of eBooks Over Traditional Books
2. Identifying Users Manual Glock 17 Gen 4
 - Exploring Different Genres
 - Considering Fiction vs. Non-Fiction
 - Determining Your Reading Goals
3. Choosing the Right eBook Platform
 - Popular eBook Platforms
 - Features to Look for in an Users Manual Glock 17 Gen 4
 - User-Friendly Interface
4. Exploring eBook Recommendations from Users Manual Glock 17 Gen 4

- Personalized Recommendations
 - Users Manual Glock 17 Gen 4 User Reviews and Ratings
 - Users Manual Glock 17 Gen 4 and Bestseller Lists
5. Accessing Users Manual Glock 17 Gen 4 Free and Paid eBooks
 - Users Manual Glock 17 Gen 4 Public Domain eBooks
 - Users Manual Glock 17 Gen 4 eBook Subscription Services
 - Users Manual Glock 17 Gen 4 Budget-Friendly Options
 6. Navigating Users Manual Glock 17 Gen 4 eBook Formats
 - ePub, PDF, MOBI, and More
 - Users Manual Glock 17 Gen 4 Compatibility with Devices
 - Users Manual Glock 17 Gen 4 Enhanced eBook Features
 7. Enhancing Your Reading Experience
 - Adjustable Fonts and Text Sizes of Users Manual Glock 17 Gen 4
 - Highlighting and Note-Taking Users Manual Glock 17 Gen 4
 - Interactive Elements Users Manual Glock 17 Gen 4
 8. Staying Engaged with Users Manual Glock 17 Gen 4
 - Joining Online Reading Communities
 - Participating in Virtual Book Clubs
 - Following Authors and Publishers Users Manual Glock 17 Gen 4
 9. Balancing eBooks and Physical Books Users Manual Glock 17 Gen 4
 - Benefits of a Digital Library
 - Creating a Diverse Reading Collection Users Manual Glock 17 Gen 4
 10. Overcoming Reading Challenges
 - Dealing with Digital Eye Strain
 - Minimizing Distractions
 - Managing Screen Time
 11. Cultivating a Reading Routine Users Manual Glock 17 Gen 4
 - Setting Reading Goals Users Manual Glock 17 Gen 4
 - Carving Out Dedicated Reading Time
 12. Sourcing Reliable Information of Users Manual Glock 17 Gen 4

- Fact-Checking eBook Content of Users Manual Glock 17 Gen 4
 - Distinguishing Credible Sources
13. Promoting Lifelong Learning
- Utilizing eBooks for Skill Development
 - Exploring Educational eBooks
14. Embracing eBook Trends
- Integration of Multimedia Elements
 - Interactive and Gamified eBooks

Users Manual Glock 17 Gen 4 Introduction

Users Manual Glock 17 Gen 4 Offers over 60,000 free eBooks, including many classics that are in the public domain. Open Library: Provides access to over 1 million free eBooks, including classic literature and contemporary works. Users Manual Glock 17 Gen 4 Offers a vast collection of books, some of which are available for free as PDF downloads, particularly older books in the public domain. Users Manual Glock 17 Gen 4 : This website hosts a vast collection of scientific articles, books, and textbooks. While it operates in a legal gray area due to copyright issues, its a popular resource for finding various publications. Internet Archive for Users Manual Glock 17 Gen 4 : Has an extensive collection of digital content, including books, articles, videos, and more. It has a massive library of free downloadable books. Free-eBooks Users Manual Glock 17 Gen 4 Offers a diverse range of free eBooks across various genres. Users Manual Glock 17 Gen 4 Focuses mainly on educational books, textbooks, and business books. It offers free PDF downloads for educational purposes. Users Manual Glock 17 Gen 4 Provides a large selection of free eBooks in different genres, which are available for download in various formats, including PDF. Finding specific Users Manual Glock 17 Gen 4, especially related to Users Manual Glock 17 Gen 4, might be challenging as theyre often artistic creations rather than practical blueprints. However, you can explore the following steps to search for or create your own Online Searches: Look for websites, forums, or blogs dedicated to Users Manual Glock 17 Gen 4, Sometimes enthusiasts share their designs or concepts in PDF format. Books and Magazines Some Users Manual Glock 17 Gen 4 books or magazines might include. Look for these in online stores or libraries. Remember that while Users Manual Glock 17 Gen 4, sharing copyrighted material without permission is not legal. Always ensure youre either creating your own or obtaining them from legitimate sources that allow sharing and downloading. Library Check if your local library offers eBook lending services. Many libraries have digital catalogs where you can borrow Users Manual Glock 17 Gen 4 eBooks for free, including popular titles. Online Retailers: Websites like Amazon, Google Books, or Apple Books often sell eBooks. Sometimes, authors or publishers offer promotions or free periods for certain books. Authors Website

Occasionally, authors provide excerpts or short stories for free on their websites. While this might not be the Users Manual Glock 17 Gen 4 full book , it can give you a taste of the authors writing style.Subscription Services Platforms like Kindle Unlimited or Scribd offer subscription-based access to a wide range of Users Manual Glock 17 Gen 4 eBooks, including some popular titles.

FAQs About Users Manual Glock 17 Gen 4 Books

How do I know which eBook platform is the best for me? Finding the best eBook platform depends on your reading preferences and device compatibility. Research different platforms, read user reviews, and explore their features before making a choice. Are free eBooks of good quality? Yes, many reputable platforms offer high-quality free eBooks, including classics and public domain works. However, make sure to verify the source to ensure the eBook credibility. Can I read eBooks without an eReader? Absolutely! Most eBook platforms offer web-based readers or mobile apps that allow you to read eBooks on your computer, tablet, or smartphone. How do I avoid digital eye strain while reading eBooks? To prevent digital eye strain, take regular breaks, adjust the font size and background color, and ensure proper lighting while reading eBooks. What the advantage of interactive eBooks? Interactive eBooks incorporate multimedia elements, quizzes, and activities, enhancing the reader engagement and providing a more immersive learning experience. Users Manual Glock 17 Gen 4 is one of the best book in our library for free trial. We provide copy of Users Manual Glock 17 Gen 4 in digital format, so the resources that you find are reliable. There are also many Ebooks of related with Users Manual Glock 17 Gen 4. Where to download Users Manual Glock 17 Gen 4 online for free? Are you looking for Users Manual Glock 17 Gen 4 PDF? This is definitely going to save you time and cash in something you should think about.

Find Users Manual Glock 17 Gen 4 :

songs of enchantment

sony bravia kdl 40s2000 manual

solutions manual hilton managerial accounting 9 edition

son treasure island skit

~~solutions manual to open channel hydraulics sturm~~

[sony blu ray user guide](#)

solutions manual machine design

sony bravia klv 40s200a manual

[solutions manual quantum chemistry levine](#)

[solutions pre intermediate test 2rd edition](#)

solving square root equations 2010 tesccc

son of hook the adventures of peter pan

~~sonic unleashed guide book~~

sony blu ray player netflix problems

solutions manual managerial accounting 4th edition hilton

Users Manual Glock 17 Gen 4 :

101 classical themes for viola book noten sammelb paul - Oct 05 2022

web 101 classical themes for viola book noten sammelb is available in our digital library an online access to it is set as public so you can download it instantly our digital library spans in multiple locations allowing you to get the most less latency time to download any of our books like this one

101 classical themes for viola book noten sammelb pdf pdf - May 12 2023

web jun 21 2023 classical themes for viola book noten sammelb pdf as one of the most full of zip sellers here will enormously be along with the best options to review 101 classical themes for viola book

101 classical themes for viola book noten sammelb pdf - Dec 27 2021

web jun 26 2023 101 classical themes for viola book noten sammelb pdf as recognized adventure as competently as experience very nearly lesson amusement as skillfully as deal can be gotten by we give 101 classical themes for viola book noten sammelb pdf and numerous books collections from fictions to scientific research in any way in the

101 classical themes for violin noten sammelband für violine - Jul 02 2022

web 101 classical themes for violin noten sammelband für violine hal leonard publishing corporation isbn 9781495056314 kostenloser versand für alle bücher mit versand und verkauf duch amazon

101 classical themes for viola book noten sammelb pdf - Apr 11 2023

web 101 classical themes for viola book noten sammelb playing in keys for viola book one may 15 2021 do you struggle to remember sharps and flats while you are playing do you wish you had better muscle memory for finger positions this book can help by focusing on the finger positions in each key

101 classical themes for viola noten sammelb - Aug 15 2023

web you goal to download and install the 101 classical themes for viola noten sammelb it is totally easy then before currently

we extend the partner to purchase and make bargains to download and install 101 classical themes for viola noten sammelb hence simple

101 classical themes for viola book noten sammelb pdf pdf - Nov 06 2022

web merely said the 101 classical themes for viola book noten sammelb pdf is universally compatible later than any devices to read 101 classical themes for viola book noten sammelband apr 1 2018 101 classical themes for viola book noten sammelband für viola various amazon de books 101 classical themes for viola noten sammelb

101 classical themes for viola book noten sammelb pdf - Jul 14 2023

web 101 classical themes for viola book noten sammelb pdf introduction 101 classical themes for viola book noten sammelb pdf download only

101 classical themes for viola groove3 com digital book - Dec 07 2022

web 101 favorite classical themes arranged for viola toggle navigation free 7 day trial all access pass videos bundles books search login viola book 101 classical themes for viola n a 0 log in to review read sample

101 classical themes for viola sheet music plus - Feb 09 2023

web shop and buy 101 classical themes for viola sheet music viola sheet music book by various hal leonard at sheet music plus hl 155324 world s largest sheet music selection book 1 flute 6 99 favorite wedding classics trumpet 10 99 20 progressive solos for string ins 8 95 twelve german dances

101 classical themes for viola book noten sammelb pdf copy - Aug 03 2022

web sammelb pdf but end stirring in harmful downloads rather than enjoying a fine pdf subsequently a mug of coffee in the afternoon otherwise they juggled in the manner of some harmful virus inside their computer 101 classical themes for viola book noten sammelb pdf is simple in our digital library an online

101 classical themes for viola book noten sammelb charles - Sep 04 2022

web 101 classical themes for viola book noten sammelb but end up in infectious downloads rather than enjoying a good book with a cup of coffee in the afternoon instead they juggled with some malicious bugs inside their laptop 101 classical themes for viola book noten sammelb is available in our digital library an online access to it is set as

101 classical themes for viola book noten sammelb pdf pdf - Jan 28 2022

web jun 21 2023 101 classical themes for viola book noten sammelb pdf right here we have countless books 101 classical themes for viola book noten sammelb pdf and collections to check out we additionally give variant types and with type of the books to browse the enjoyable book fiction history novel scientific research as

101 classical themes for viola book noten sammelb pdf free - Jun 01 2022

web 101 classical themes for horn hal leonard corp 2016 instrumental folio this huge collection offers instrumentalists the

chance to play 101 classical themes including ave maria bist du bei mir you are with me canon in d clair de lune dance

101 classical themes for viola book noten sammelb bea - Mar 10 2023

web digital library saves in multiple countries allowing you to get the most less latency period to download any of our books later this one merely said the 101 classical themes for viola book noten sammelb is universally compatible considering any devices to read integrated approaches to health simon r rüegg 2018 09 10

101 classical themes for viola book noten sammelb pdf copy - Apr 30 2022

web mar 14 2023 this 101 classical themes for viola book noten sammelb pdf as one of the most committed sellers here will definitely be in the middle of the best options to review title

101 classical themes for viola book noten sammelband für viola - Jun 13 2023

web 101 classical themes for viola book noten sammelband für viola various isbn 9781495056321 kostenloser versand für alle bücher mit versand und verkauf duch amazon

101 classical themes for viola book noten sammelb pdf gcc - Feb 26 2022

web mar 26 2023 declaration 101 classical themes for viola book noten sammelb pdf can be one of the options to accompany you afterward having other time it will not waste your time admit me the e book will totally express you further matter to read just invest tiny time to log on this on line publication 101 classical themes for viola book noten

101 classical themes for viola book noten sammelb pdf karl - Jan 08 2023

web apr 28 2023 you could purchase lead 101 classical themes for viola book noten sammelb pdf or acquire it as soon as feasible you could quickly download this 101 classical themes for viola book noten

101 classical themes for viola book noten sammelb charles - Mar 30 2022

web to acquire those all we come up with the money for 101 classical themes for viola book noten sammelb and numerous book collections from fictions to scientific research in any way among them is this 101 classical themes for viola book noten sammelb that can be your partner bach s continuo group laurence dreyfus 1987 when bach s cantatas

adolescence laurence steinberg google books - Dec 07 2022

web mar 4 2016 adolescence laurence steinberg mcgraw hill us higher ed use legacy mar 4 2016 adolescent psychology 608 pages as a well respected researcher laurence steinberg connects current

adolescence by john w santrock open library - Aug 03 2022

web adolescence 2005 mcgraw hill in english 10th ed 0072900156 9780072900156 aaaa not in library libraries near you worldcat 05 adolescence

adolescence john santrock google books - Jan 08 2023

web nov 4 2013 mcgraw hill education nov 4 2013 psychology 608 pages more students learn from john santrock s

adolescence than from any other text in this field the 15th edition combines proven

adolescence mcgraw hill - Jul 14 2023

web adolescence adolescence 18th edition isbn10 1260245837 isbn13 9781260245837 by john santrock 2023 purchase options lowest price ebook from 54 00 print from 70 00 connect from 107 07 mcgraw hill ebook 180 days rental expires 3 2 2024 54 00 lifetime purchase 84 00 isbn10 1266519181 isbn13 9781266519185 details

adolescence 5th ed apa psycnet - Apr 11 2023

web steinberg l d 1999 adolescence 5th ed mcgraw hill abstract the 5th edition of this textbook reflects the expansion of our understanding of adolescent development although the book s original organization has been retained the material in each chapter has been significantly updated and revised

theories of adolescence by rolf e muuss open library - Feb 26 2022

web may 9 2021 theories of adolescence 6th ed by rolf e muuss 0 ratings 1 want to read 0 currently reading 1 have read this edition doesn t have a description yet can you add one publish date 1996 publisher mcgraw hill language english

adolescence by laurence d steinberg open library - Jul 02 2022

web feb 28 2023 adolescence by laurence d steinberg 1993 mcgraw hill mcgraw hill college edition in english 3rd ed *adolescence john w santrock google books* - Oct 05 2022

web jan 1 2007 adolescence john w santrock mcgraw hill 2007 adolescence 499 pages featuring a balance of research and applications to the real lives of adolescents this book includes a chapter on

developmental psychopathology from infancy through adolescence - Jan 28 2022

web wenar c kerig p 2000 developmental psychopathology from infancy through adolescence 4th ed mcgraw hill abstract provides readers with an introduction to the origins and course of behavioral and emotional problems

adolescence john w santrock google books - Feb 09 2023

web mcgraw hill 2012 adolescence 640 pages more students learn from john santrock s adolescence than from any other text in this field the 14th edition combines proven pedagogy and the

amazon com adolescence 9781260245837 santrock john - Sep 04 2022

web jan 26 2022 through an integrated learning goals system this comprehensive approach to adolescent development helps students gain the insight they need to study smarter stay focused and improve performance isbn 10 1260245837 isbn 13 978 1260245837 edition 18th publisher mcgraw hill publication date january 26 2022 language english print

adolescence mcgraw hill education - Jun 13 2023

web the leading text for the adolescence psychology course adolescence 9 th edition is the most accurate and up to date text available applauded by adopters as eloquently written and intelligently presented this text bears john santrock s trademark

balance of accurate current content for faculty and effective pedagogy for students

[adolescence by santrock john w archive org](#) - May 12 2023

web nov 9 2021 adolescence by santrock john w john w santrock received his ph d from the college of education and human development at the university of minnesota he has taught at the university of charleston the university of georgia and the university of texas at dallas

adolescence by laurence d steinberg open library - Apr 30 2022

web dec 9 2022 adolescence by laurence d steinberg 2008 mcgraw hill edition in english 8th ed

santrock j w 2014 adolescence 15th ed open library - Jun 01 2022

web jan 27 2021 santrock j w 2014 adolescence 15th ed by 2014 new york mcgraw hill edition

[adolescence john w santrock google books](#) - Nov 06 2022

web oct 20 2015 mcgraw hill education oct 20 2015 psychology 592 pages connecting research and results as a master teacher john santrock connects students to current research and real world application

adolescence by john w santrock open library - Mar 10 2023

web jan 31 2023 publish date 2016 publisher mcgraw hill previews available in english subjects adolescence adolescent psychology psychology psychologie ontwikkeling psychologie adolescents adolescentie showing 9 featured editions

adolescence santrock john w free download borrow and - Mar 30 2022

web adolescence adolescent psychology publisher boston mcgraw hill collection inlibrary printdisabled internetarchivebooks contributor internet archive language english

adolescence psychology today - Dec 27 2021

web adolescence is the transitional stage from childhood to adulthood that occurs between ages 13 and 19 the physical and psychological changes that take place in adolescence often start earlier

adolescence mcgraw hill - Aug 15 2023

web adolescence adolescence 13th edition isbn10 1264123795 isbn13 9781264123797 by laurence steinberg 2023 purchase options lowest price ebook from 54 00 print from 70 00 connect from 107 07 mcgraw hill ebook 180 days rental expires 3 1 2024 54 00 lifetime purchase 84 00 isbn10 1266533028 isbn13 9781266533020

[kansas city lightning the rise and times of charlie parker](#) - May 20 2023

web jan 1 2014 kansas city lightning the rise and times of charlie parker is the first installment in the long awaited portrait of one of the most talented and influential musicians of the twentieth century from stanley crouch one of the foremost authorities on jazz and culture in america

kansas city lightning the rise and times of charlie parker - Dec 15 2022

web jan 7 2018 with the wisdom of a jazz scholar the cultural insights of a social critic and the narrative skill of a novelist drawing on interviews with peers collaborators and family members stanley crouch recreates parker s depression era childhood his early days navigating the kansas city nightlife inspired by lions like lester young and count

kansas city lightning the rise and times of charlie parker - Feb 05 2022

web sep 25 2020 kansas city lightning the rise and times of charlie parker by stanley crouch harper collins 2013 365 pp 53 31 hardcover 12 74 kindle edition isbn 9780062005595 this review was originally published on jazzjournalists org on march 22 2014 and is here reprinted with permission in observance of the centenary of charlie

kansas city lightning the rise and times of charlie parker goodreads - Jul 22 2023

web sep 24 2013 stanley crouch 3 89 849 ratings 155 reviews kansas city lightning the rise and times of charlie parker is the first installment in the long awaited portrait of one of the most talented and influential musicians of the twentieth century from stanley crouch one of the foremost authorities on jazz and culture in america

stanley crouch s kansas city lightning on charlie parker the - Jan 16 2023

web oct 10 2013 kansas city lightning the rise and times of charlie parker by stanley crouch illustrated 365 pages harper 27 99

kansas city lightning the rise and times of charlie parker - Mar 18 2023

web summary kansas city lightning the rise and times of charlie parker is the first installment in the long awaited portrait of one of the most talented and influential musicians of the twentieth century from stanley crouch one of the foremost authorities on jazz and culture in america throughout his life charlie parker personified the tortured american

[kansas city lighting the rise and times of charlie parker](#) - Mar 06 2022

web the great african american classical art form the charlie parker story you tube eaqq 55tzxg list

plqcjhlhoxhnnlzdfigoc0f4e5ot r hr1c kansas city lightning the rise and times of charlie parker by stanley crouch author highart if you want to read a book a spectacular book about a spectacular man try

kansas city lightning the rise and times of charlie parker - Apr 07 2022

web oct 21 2014 kansas city lightning the rise and times of charlie parker is like the music made by its subject in his abbreviated life free flowing and severe volatile expansive allusive and indulgent from bravura sentence to serpentine paragraph the book is a virtuoso performance of musical literary mimesis

kansas city lightning the rise and times of charlie parker - Nov 14 2022

web sep 24 2013 kansas city lightning the rise and times of charlie parker is the first installment in the long awaited portrait of one of the most talented and influential musicians of the twentieth century from stanley crouch one of the foremost authorities on jazz and culture in america

kansas city lightning the rise and times of charlie parker - Aug 23 2023

web sep 24 2013 kansas city lightning the rise and times of charlie parker stanley crouch harper collins sep 24 2013
biography autobiography 400 pages a tour de force crouch has given us a

kansas city lightning the rise and times of charlie parker - Feb 17 2023

web kansas city lightning the rise and times of charlie parker is the first installment in the long awaited portrait of one of the most talented and influential musicians of the twentieth century from stanley crouch one of the foremost authorities on jazz and culture in america

kansas city lightning the rise and times of charlie parker - Jan 04 2022

web sep 24 2013 kansas city lightning the rise and times of charlie parker is the first installment in the long awaited portrait of one of the most talented and influential musicians of the twentieth century from stanley crouch one of the foremost authorities on jazz and culture in america

kansas city lightning the rise and times of charlie parker - Sep 12 2022

web kansas city lightning the rise and times of charlie parker stanley crouch ano musician has lived a more transformational or more tragic life than charlie parker one of the most talented and influential figures of the twentieth century

kansas city lightning the rise and times of charlie parker - Jun 09 2022

web a stunning portrait of charlie parker one of the most talented and influential musicians of the twentieth century from stanley crouch one of the foremost authorities on jazz and culture in america

kansas city lightning the rise and times of charlie parker - Jun 21 2023

web mar 13 2014 kansas city lightning the rise and times of charlie parker is the first installment in the long awaited portrait of one of the most talented and influential musicians of the twentieth century from stanley crouch one of the foremost authorities on jazz and culture in america

kansas city lightning the rise and times of charlie parker - Jul 10 2022

web sep 24 2013 kansas city lightning the rise and times of charlie parker is the first installment in the long awaited portrait of one of the most talented and influential musicians of the twentieth century from stanley crouch one of the foremost authorities on jazz and culture in america

kansas city lightning the rise and times of charlie parker by - Oct 13 2022

web nov 20 2013 kansas city lightning the rise and times of charlie parker by stanley crouch review richard williams on a pungent life of the jazz saxophonist told from a black perspective

kansas city lightning the rise and times of charlie parker jazztimes - Aug 11 2022

web nov 5 2013 stanley crouch s much anticipated biography of charlie parker is finally here or rather the first of two

scheduled volumes has arrived this installment bringing bird from his kansas city roots to the cusp of stardom and the creation of bebop in new york city

kansas city lightning the rise and times of charlie parker - May 08 2022

web summary the first installment in the long awaited portrait of one of the most talented and influential musicians of the twentieth century charlie parker personified the tortured american artist a revolutionary performer who used his alto saxophone to create a new music known as bebop even as he wrestled with a drug addiction that would lead to his

kansas city lightning the rise and times of charlie parker - Apr 19 2023

web kansas city lightning the rise and times of charlie parker is the first installment in the long awaited portrait of one of the most talented and influential musicians of the twentieth century from stanley crouch one of the foremost authorities on jazz and culture in america throughout his life charlie parker personified the tortured