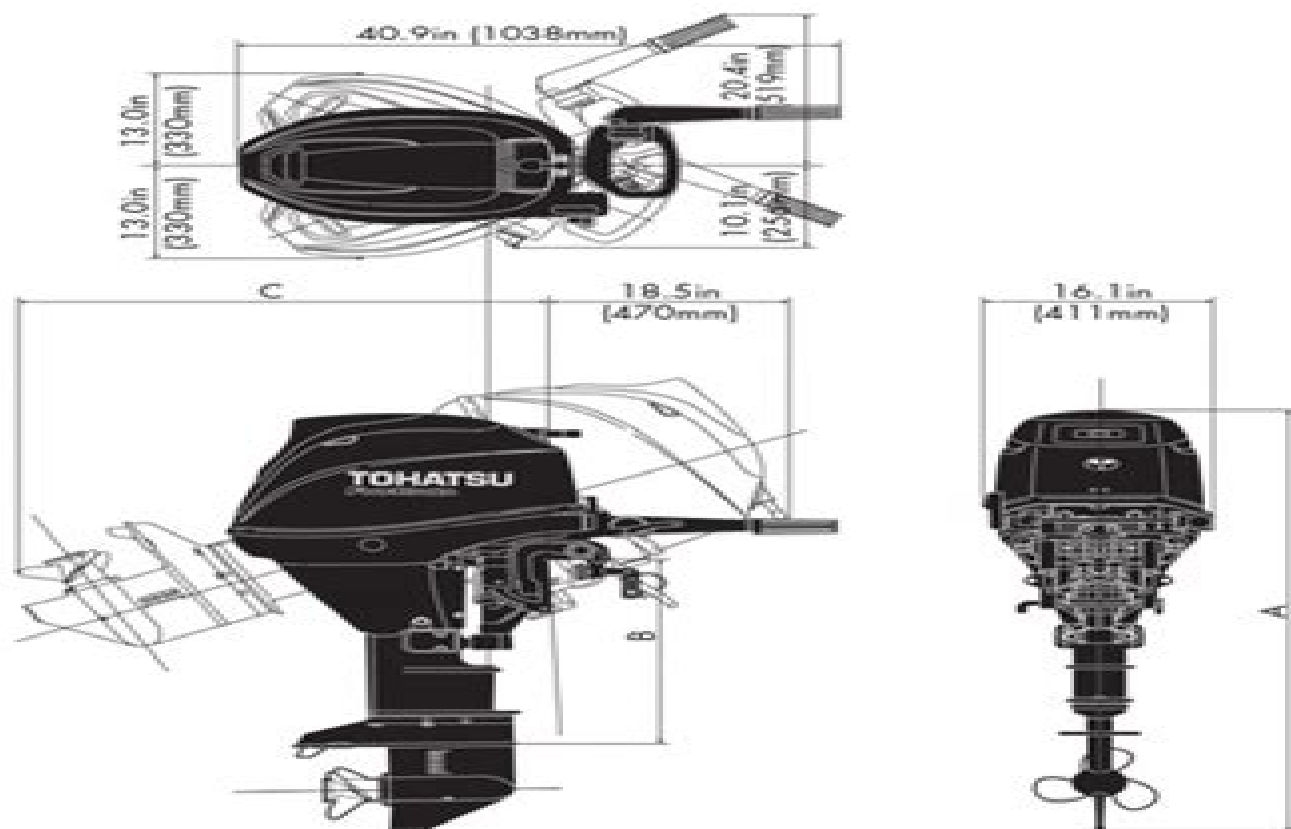


## Dimensions



### Dry Weight

(lbs./kg)

Model	MF	E	ET
Transom S:	-	161 (73.0)	179 (81.0)
Transom L:	161 (73.0)	164 (74.5)	182 (82.5)

### Dimensions

(mm/in)

Model	A	B	C
Transom S:	46.8 (1189)	15.9 (404)	29.8 (756)
Transom L:	52.6 (1337)	21.7 (552)	34.9 (887)

# Tohatsu Repair Manual 25hp

**Joacim Rocklöv**



## **Tohatsu Repair Manual 25hp:**

## Whispering the Strategies of Language: An Mental Quest through **Tohatsu Repair Manual 25hp**

In a digitally-driven earth where monitors reign great and instant connection drowns out the subtleties of language, the profound strategies and mental nuances concealed within words often get unheard. Yet, nestled within the pages of **Tohatsu Repair Manual 25hp** a fascinating literary prize blinking with natural emotions, lies a fantastic quest waiting to be undertaken. Composed by a skilled wordsmith, that wonderful opus invites viewers on an introspective trip, delicately unraveling the veiled truths and profound influence resonating within the very material of each and every word. Within the psychological depths of this touching review, we can embark upon a sincere exploration of the book is primary themes, dissect their captivating writing fashion, and yield to the effective resonance it evokes strong within the recesses of readers hearts.

[https://movement.livewellcolorado.org/About/publication/Download\\_PDFS/Short\\_Story\\_Samples\\_For\\_Students.pdf](https://movement.livewellcolorado.org/About/publication/Download_PDFS/Short_Story_Samples_For_Students.pdf)

### **Table of Contents Tohatsu Repair Manual 25hp**

1. Understanding the eBook Tohatsu Repair Manual 25hp
  - The Rise of Digital Reading Tohatsu Repair Manual 25hp
  - Advantages of eBooks Over Traditional Books
2. Identifying Tohatsu Repair Manual 25hp
  - Exploring Different Genres
  - Considering Fiction vs. Non-Fiction
  - Determining Your Reading Goals
3. Choosing the Right eBook Platform
  - Popular eBook Platforms
  - Features to Look for in an Tohatsu Repair Manual 25hp
  - User-Friendly Interface
4. Exploring eBook Recommendations from Tohatsu Repair Manual 25hp
  - Personalized Recommendations

- Tohatsu Repair Manual 25hp User Reviews and Ratings
- Tohatsu Repair Manual 25hp and Bestseller Lists
- 5. Accessing Tohatsu Repair Manual 25hp Free and Paid eBooks
  - Tohatsu Repair Manual 25hp Public Domain eBooks
  - Tohatsu Repair Manual 25hp eBook Subscription Services
  - Tohatsu Repair Manual 25hp Budget-Friendly Options
- 6. Navigating Tohatsu Repair Manual 25hp eBook Formats
  - ePub, PDF, MOBI, and More
  - Tohatsu Repair Manual 25hp Compatibility with Devices
  - Tohatsu Repair Manual 25hp Enhanced eBook Features
- 7. Enhancing Your Reading Experience
  - Adjustable Fonts and Text Sizes of Tohatsu Repair Manual 25hp
  - Highlighting and Note-Taking Tohatsu Repair Manual 25hp
  - Interactive Elements Tohatsu Repair Manual 25hp
- 8. Staying Engaged with Tohatsu Repair Manual 25hp
  - Joining Online Reading Communities
  - Participating in Virtual Book Clubs
  - Following Authors and Publishers Tohatsu Repair Manual 25hp
- 9. Balancing eBooks and Physical Books Tohatsu Repair Manual 25hp
  - Benefits of a Digital Library
  - Creating a Diverse Reading Collection Tohatsu Repair Manual 25hp
- 10. Overcoming Reading Challenges
  - Dealing with Digital Eye Strain
  - Minimizing Distractions
  - Managing Screen Time
- 11. Cultivating a Reading Routine Tohatsu Repair Manual 25hp
  - Setting Reading Goals Tohatsu Repair Manual 25hp
  - Carving Out Dedicated Reading Time
- 12. Sourcing Reliable Information of Tohatsu Repair Manual 25hp
  - Fact-Checking eBook Content of Tohatsu Repair Manual 25hp

- 
- Distinguishing Credible Sources
13. Promoting Lifelong Learning
- Utilizing eBooks for Skill Development
  - Exploring Educational eBooks
14. Embracing eBook Trends
- Integration of Multimedia Elements
  - Interactive and Gamified eBooks

### **Tohatsu Repair Manual 25hp Introduction**

Free PDF Books and Manuals for Download: Unlocking Knowledge at Your Fingertips In today's fast-paced digital age, obtaining valuable knowledge has become easier than ever. Thanks to the internet, a vast array of books and manuals are now available for free download in PDF format. Whether you are a student, professional, or simply an avid reader, this treasure trove of downloadable resources offers a wealth of information, conveniently accessible anytime, anywhere. The advent of online libraries and platforms dedicated to sharing knowledge has revolutionized the way we consume information. No longer confined to physical libraries or bookstores, readers can now access an extensive collection of digital books and manuals with just a few clicks. These resources, available in PDF, Microsoft Word, and PowerPoint formats, cater to a wide range of interests, including literature, technology, science, history, and much more. One notable platform where you can explore and download free Tohatsu Repair Manual 25hp PDF books and manuals is the internet's largest free library. Hosted online, this catalog compiles a vast assortment of documents, making it a veritable goldmine of knowledge. With its easy-to-use website interface and customizable PDF generator, this platform offers a user-friendly experience, allowing individuals to effortlessly navigate and access the information they seek. The availability of free PDF books and manuals on this platform demonstrates its commitment to democratizing education and empowering individuals with the tools needed to succeed in their chosen fields. It allows anyone, regardless of their background or financial limitations, to expand their horizons and gain insights from experts in various disciplines. One of the most significant advantages of downloading PDF books and manuals lies in their portability. Unlike physical copies, digital books can be stored and carried on a single device, such as a tablet or smartphone, saving valuable space and weight. This convenience makes it possible for readers to have their entire library at their fingertips, whether they are commuting, traveling, or simply enjoying a lazy afternoon at home. Additionally, digital files are easily searchable, enabling readers to locate specific information within seconds. With a few keystrokes, users can search for keywords, topics, or phrases, making research and finding relevant information a breeze. This efficiency saves time and effort, streamlining the learning process and allowing individuals to focus on extracting the information they

need. Furthermore, the availability of free PDF books and manuals fosters a culture of continuous learning. By removing financial barriers, more people can access educational resources and pursue lifelong learning, contributing to personal growth and professional development. This democratization of knowledge promotes intellectual curiosity and empowers individuals to become lifelong learners, promoting progress and innovation in various fields. It is worth noting that while accessing free Tohatsu Repair Manual 25hp PDF books and manuals is convenient and cost-effective, it is vital to respect copyright laws and intellectual property rights. Platforms offering free downloads often operate within legal boundaries, ensuring that the materials they provide are either in the public domain or authorized for distribution. By adhering to copyright laws, users can enjoy the benefits of free access to knowledge while supporting the authors and publishers who make these resources available. In conclusion, the availability of Tohatsu Repair Manual 25hp free PDF books and manuals for download has revolutionized the way we access and consume knowledge. With just a few clicks, individuals can explore a vast collection of resources across different disciplines, all free of charge. This accessibility empowers individuals to become lifelong learners, contributing to personal growth, professional development, and the advancement of society as a whole. So why not unlock a world of knowledge today? Start exploring the vast sea of free PDF books and manuals waiting to be discovered right at your fingertips.

### **FAQs About Tohatsu Repair Manual 25hp Books**

How do I know which eBook platform is the best for me? Finding the best eBook platform depends on your reading preferences and device compatibility. Research different platforms, read user reviews, and explore their features before making a choice. Are free eBooks of good quality? Yes, many reputable platforms offer high-quality free eBooks, including classics and public domain works. However, make sure to verify the source to ensure the eBook credibility. Can I read eBooks without an eReader? Absolutely! Most eBook platforms offer webbased readers or mobile apps that allow you to read eBooks on your computer, tablet, or smartphone. How do I avoid digital eye strain while reading eBooks? To prevent digital eye strain, take regular breaks, adjust the font size and background color, and ensure proper lighting while reading eBooks. What the advantage of interactive eBooks? Interactive eBooks incorporate multimedia elements, quizzes, and activities, enhancing the reader engagement and providing a more immersive learning experience. Tohatsu Repair Manual 25hp is one of the best book in our library for free trial. We provide copy of Tohatsu Repair Manual 25hp in digital format, so the resources that you find are reliable. There are also many Ebooks of related with Tohatsu Repair Manual 25hp. Where to download Tohatsu Repair Manual 25hp online for free? Are you looking for Tohatsu Repair Manual 25hp PDF? This is definitely going to save you time and cash in something you should think about. If you trying to find then search around for

online. Without a doubt there are numerous these available and many of them have the freedom. However without doubt you receive whatever you purchase. An alternate way to get ideas is always to check another Tohatsu Repair Manual 25hp. This method for see exactly what may be included and adopt these ideas to your book. This site will almost certainly help you save time and effort, money and stress. If you are looking for free books then you really should consider finding to assist you try this. Several of Tohatsu Repair Manual 25hp are for sale to free while some are payable. If you arent sure if the books you would like to download works with for usage along with your computer, it is possible to download free trials. The free guides make it easy for someone to free access online library for download books to your device. You can get free download on free trial for lots of books categories. Our library is the biggest of these that have literally hundreds of thousands of different products categories represented. You will also see that there are specific sites catered to different product types or categories, brands or niches related with Tohatsu Repair Manual 25hp. So depending on what exactly you are searching, you will be able to choose e books to suit your own need. Need to access completely for Campbell Biology Seventh Edition book? Access Ebook without any digging. And by having access to our ebook online or by storing it on your computer, you have convenient answers with Tohatsu Repair Manual 25hp To get started finding Tohatsu Repair Manual 25hp, you are right to find our website which has a comprehensive collection of books online. Our library is the biggest of these that have literally hundreds of thousands of different products represented. You will also see that there are specific sites catered to different categories or niches related with Tohatsu Repair Manual 25hp So depending on what exactly you are searching, you will be able to choose ebook to suit your own need. Thank you for reading Tohatsu Repair Manual 25hp. Maybe you have knowledge that, people have search numerous times for their favorite readings like this Tohatsu Repair Manual 25hp, but end up in harmful downloads. Rather than reading a good book with a cup of coffee in the afternoon, instead they juggled with some harmful bugs inside their laptop. Tohatsu Repair Manual 25hp is available in our book collection an online access to it is set as public so you can download it instantly. Our digital library spans in multiple locations, allowing you to get the most less latency time to download any of our books like this one. Merely said, Tohatsu Repair Manual 25hp is universally compatible with any devices to read.

### **Find Tohatsu Repair Manual 25hp :**

*short story samples for students*

[shrimp and penne recipe](#)

[short essay on sun in sanskrit](#)

*sidney sheldon bloodline all chapters*

**shows guide com inside the box**



[should school uniforms be matory essay](#)

[siemens nx ideas training manual](#)

[siemens tk520service manual](#)

[shoulder evaluation form physical therapy](#)

[short story for year 8](#)

[shortbread recipe rachel allen](#)

[shumi bundle of money guide](#)

[siemens hipath 38v7 manual](#)

[siemens washing machine wm 2008 manual](#)

[siemens s5 135u manual](#)

## **Tohatsu Repair Manual 25hp :**

### **le bleu de prusse de canaletto à hokusai l beaux arts** - Apr 20 2023

web ni minéral ni végétal le bleu de prusse est le premier pigment synthétique et il se produit très simplement un peu moins intense que l outremer son prix est dix fois inférieur et son pouvoir couvrant dix fois supérieur sa tenue en mélange est exemplaire et une pointe de blanc le sublime

### **bleu de prusse couleurs pantone et peintures naaveelab** - Apr 08 2022

web mar 2 2023 le bleu de prusse est un pigment bleu foncé qui a été largement utilisé dans l art la mode et l industrie depuis sa découverte au début du 18e siècle ce pigment est connu pour sa couleur bleue intense et profonde et ses propriétés chimiques uniques qui le rendent stable et durable

### **prussian blue nanoparticles for theranostics thèses** - Jul 11 2022

web nov 15 2021 bleu de prusse composés de coordination nanotechnologie théranostique analogues cobalt fer du bleu de prusse titre traduit nanoparticules de bleu de prusse pour la théranostique résumé le bleu de prusse est considéré comme le premier colorant artificiel synthétisé en 1706

### **bleu de prusse bleu de prusse en** - Feb 06 2022

web contact en fr

### **application of the infrared spectroscopy to the structural study of** - May 09 2022

web jun 1 2014 résumé les analogues du bleu de prusse abp constituent une famille de polymères inorganiques particulièrement versatiles pouvant présenter des propriétés électroniques et magnétiques prometteuses

*updated new hermès colors 2023 pursebop* - Sep 13 2022

web feb 7 2023 otherwise known as prussian blue bleu de prusse has been in the hermès stable pun intended for quite a long time the color s name comes from the blue dye from the 18th century used in making coats for the prussian army some say it s a deep blue darker than a cobalt more somber than indigo and lighter than hermès bleu nuit with

[bleu de prusse ou bleu de paris tartines de culture](#) - Aug 12 2022

web nov 19 2019 le bleu de prusse est découvert accidentellement en 1706 par le fabricant de couleurs johann jacob diesbach en essayant de produire un pigment rouge habituellement il fait bouillir des cochenilles finement pulvérisées dans de l eau puis il rajoute de l alun du sulfate de fer et de la potasse

**les différents bleus bleu de prusse bleu égyptien cobalt** - May 21 2023

web sep 26 2009 le bleu de prusse ou bleu de berlin le bleu de cobalt le smalt ou smalte le bleu caeruleum le bleu outremer une couleur profonde le bleu d anthraquinone les autres colorants bleus

[le bleu de prusse histoire utilisation et influence](#) - Jan 17 2023

web sep 11 2021 bleu de prusse dans la culture japonaise c est autour de 1820 que le bleu de prusse fût importé au japon à edo et il ne tarda pas à devenir notoire dans tout le pays il devint surtout très populaire chez les peintres et graveurs japonais chez qui la couleur bleu profonde de cette teinte s intégra parfaitement dans leur palettes de

*bleu wikipédia* - Jun 22 2023

web le premier pigment synthétique moderne est le bleu de prusse découvert par hasard en 1704 à berlin par heinrich diesbach et johann conrad dippel il est produit par réaction de la potasse sur du sulfate de fer dès 1710 antoine watteau l utilise dans son tableau de la mariée du village malheureusement la solidité du bleu de prusse

**bleu de prusse de berlin ou bleu hussard 24445c schémas de** - Feb 18 2023

web la couleur bleu de prusse de berlin ou bleu hussard avec code de couleur hexadécimal 24445c est une foncé moyen teinte de couleur cyan bleu dans le modèle de couleur rvg 24445c est constitué de 14 12 de rouge 26 67 de vert et le bleu à 36 08

**le légendaire bleu de prusse la couleur qui peut sauver ou tuer des** - Aug 24 2023

web dec 18 2021 le légendaire bleu de prusse la couleur qui peut sauver ou tuer des vies bbc news afrique dalia ventura bbc news mundo 18 décembre 2021 c était le premier pigment synthétique moderne

**le bleu de prusse l ocre bleu** - Oct 14 2022

web le bleu de prusse pb27 ferrocyanure de fer est un pigment bleu foncé utilisé en peinture qui se caractérise par une teinte qui tire sur le verdâtre et semble presque noir il est l équivalent d un bleu primaire assombri reprenez vos cercles le bleu de prusse est l équivalent des cases 13 14 et 15

**bleu de prusse wikipédia** - Sep 25 2023

web le bleu de prusse en allemand preußischblau ou berliner blau est un pigment bleu foncé identifié au colour index comme pb27 et dont la désignation internationale iso est iron blue pigment 2 ce cyanoferrate ferrique ii doit être considéré comme le premier colorant synthétique moderne obtenu au début du xviiiè siècle prv 1

[prussian blue wikipedia](#) - Jul 23 2023

web prussian blue also known as berlin blue brandenburg blue parisian and paris blue is a dark blue pigment produced by oxidation of ferrous ferrocyanide salts it has the chemical formula  $fe^{iii}_4 fe^{ii}_6 3$

[new observations on the solubility of prussian blue](#) - Jun 10 2022

web résumé 1 les métaphosphates et polyphosphates alcalins dissolvent le bleu de prusse en ferrocyanure de potassium et en méta et polyphosphates alcalins et ferriques mais de plus faibles quantités peptisent le bleu de prusse les méta et polyphosphates alcalins sont les premiers composés connus ayant une action peptisante sur le bleu de prusse

**ajustage mécanique wikipédia** - Nov 15 2022

web cet ajusteur utilise le bleu de prusse comme révélateur en remplacement de la sanguine le rifleur nommé aussi ajusteur mouliste et dont l'outil de prédilection est le rifloir le tireur de long dont le rôle consiste à finir les chants de pièce parties étroites en tiré de long

**bleu de prusse histoire utilisation et influence** - Dec 16 2022

web oct 21 2019 utilisation du bleu de prusse dans la peinture malgré sa teinte bleu unique le bleu de prusse n'est pas une couleur qui possède que des qualités cette teinte est réputée pour son manque de solidité et il est par ailleurs très difficile de la mélanger avec d'autres couleurs car elle a tendance à les salir lorsqu'elle entre en contact avec

[la première couleur artificielle le bleu de prusse mediachimie](#) - Mar 19 2023

web la première couleur artificielle le bleu de prusse page précédente au début du xviiiè siècle la seule teinte bleue stable est le bleu outremer obtenu à partir d'une pierre précieuse le lapis lazuli cette couleur bleu est donc très chère

**fiche piratome n 2 bleu de prusse** - Mar 07 2022

web le bleu de prusse insoluble dans l'eau est un agent chélateur qui possède une très forte affinité pour le césium et le thallium en agissant par échanges d'ions les complexes bleu de prusse césium ou bleu de prusse thallium ainsi formés dans le tube digestif lors des intoxications aiguës sont peu

[2009 edition timing chains gears manual autotech connexion](#) - May 03 2023

web part no 3626 autodata timing chains and gears or for a one off application chapter and instructions on a specific engine go to autodata

*autodata technical vehicle data autodata uk* - Sep 07 2023

web autodata publications inc 2004 automobiles 600 pages this manual provides valve timing procedures for domestic and

imported vehicles from 1992 2003 this title is a

**4936 engine timing tool set 2 0 dci v1 machine mart** - Dec 30 2022

web autodata

**2004 timing chains and gears 1992 03 by autodata goodreads** - Apr 02 2023

web mar 17 2006 2006 timing belts coverage 1992 2006 autodata 5 00 2ratings0reviews want to read buy on amazon rate this book 1008 pages paperback first published

**2004 timing chains and gears 1992 03 autodata google** - Jun 04 2023

web jun 1 2004 this manual provides valve timing procedures for domestic and imported vehicles from 1992 2003 this title is a concise source of information when checking

**autodata timing chains graph safehousetech com** - Mar 21 2022

autodata 2009 timing chain and gears manual adt09 170 - Feb 17 2022

**timing chain gears serpentine belts domestic** - Jul 05 2023

web jun 1 2004 autodata 5 00 1 rating0 reviews this manual provides valve timing procedures for domestic and imported vehicles from 1992 2003 this title is a concise

2006 timing belts coverage 1992 2006 by autodata goodreads - Oct 28 2022

web this title is a concise source of information when checking replacing or tensioning timing chains or gear drives includes clear illustrations of timing chains sprockets and gears

autodatatimingchains autodata publications inc staff book - Nov 16 2021

*04 timing chain gears 92 03 autodata tech manual* - Mar 01 2023

web timing chain autodata read online for free timming auto bmw

autodata adt09170 timing chains and gears manual 2009 - Jan 19 2022

**timing chain autodata pdf scribd** - Sep 26 2022

web autodata timing chains automotive technician training practical worksheets level 1 timing chains and gears for petrol and diesel engines 1988 2007 ford focus 2000 11

autodata used books rare books and new books - Aug 26 2022

web 4 autodata timing chains 2022 02 15 environments securing rhel and optimizingstor age to fit your environment explores

advanced rhel configurations including

autodata - Jul 25 2022

web mar 7 2011 buy autodata 2009 timing chain and gears manual adt09 170 generators portable power amazon com free delivery possible on eligible

**autodata timing chains haysomattorneys com** - Apr 21 2022

web the spanish 2005 edition timing belt manual provides all the information required for the inspection replacement and tensioning of timing belts on domestic and imported cars

**autodata tech series 2008 timing chains and gears** - Nov 28 2022

web this manual provides valve timing procedures for domestic and imported vehicles from 1988 2000 this title is a concise source of information when checking replacing or

2010 timing chains gears manual autotech connexion - Dec 18 2021

*autodata timing chains store spiralny* - May 23 2022

web this manual features general removal and installation instructions of timing chains and gears as well as valve timing procedures for domestic imported vehicles from 1996

*autodata professional automotive manuals the motor bookstore* - Oct 08 2023

web automotive mechanics and technicians use autodata manuals to repair and address all aftermarket auto issues ranging from timing chains and gears to battery replacement

*2004 timing chains and gears 1992 03* - Jan 31 2023

web find signed collectible books 2004 timing chains and gears 1992 03 autodata tech manual series 2005 timing belts 1989 2004 models isbn 9781893026285

**autodatatimingchains download only ftp startbloggingonline** - Jun 23 2022

web feb 19 2010 this manual features general removal and installation instructions of timing chains and gears as well as valve timing procedures for domestic imported vehicles

**amazon com autodata timing belt book** - Aug 06 2023

web valve timing procedures for domestic and imported vehicles 1996 2009 this manual features general removal and installation instructions of timing chains and gears as

**projet mars alpha by pierre etienne bram avvu com tr** - Jan 27 2022

**projet mars alpha buy online at best price in egypt souq is** - Feb 25 2022

[projet mars alpha french edition softcover abebooks](#) - Oct 04 2022

web nov 12 2021 mars dune alpha is being funded by nasa as part of its mission to put humans on the red planet starting next fall four astronauts will shut themselves inside

[inside the 3d printed box in texas where humans will prepare for](#) - Feb 08 2023

web arama yapmak istediğiniz kategoriye seçin

*projet mars alpha pierre etienne bram babelio* - Aug 14 2023

web mar 21 2019 l auteur s est inspiré du projet mars one projet qui visait à installer une colonie humaine sur mars qui a malheureusement failli 2024 À bord d un vaisseau

[mars proje](#) - Nov 24 2021

**chapea nasa** - Sep 15 2023

web oct 3 2023 crew health and performance exploration analog chapea is a series of analog missions that will simulate year long stays on the surface of mars each mission

**2 Ödül profesyonel kategorisi mars 2050 yaşam alanı** - Mar 29 2022

web liste des participants au projet ce projet mis en place par slamhound le 28 juin 2012 à 15 07 est le vôtre n hésitez surtout pas à y participer et à vous inscrire ici slamhound

**projet mars alpha by pierre etienne bram alibris** - May 31 2022

web you could enjoy now is projet mars alpha below projet mars alpha downloaded from wef tamu edu by guest nathaniel grant projekt mars bod books on demand 20

[what would life on mars look like scientists designers share](#) - Apr 29 2022

web mars project İnşaat sanayi ticaret anonim Şirketi mekanik tesisat taahhüt konusunda faaliyet gösteren mühendislik ve müteahhitlik şirkettir mekanik tesisat konusunda proje

[mars dune alpha icon](#) - Nov 05 2022

web buy projet mars alpha by pierre etienne bram online at alibris we have new and used copies available in 1 editions starting at 26 17 shop now

**nasa unveils mars habitat for year long experiments** - May 11 2023

web aug 10 2021 the mars dune alpha will be occupied by four people for extended periods of time and by simulating the expected experience of living on mars will help nasa

*projet mars wikipédia* - Oct 24 2021

*inside nasa s mars dune alpha where volunteers will* - Jan 07 2023

web jul 4 2023 located at nasa s johnson space center in houston texas the 3d printed mock martian base known as mars dune alpha is the home of the agency s first ever

tour the mock mars habitat where 4 nasa analog astronauts will - Aug 02 2022

web buy projet mars alpha online on amazon eg at best prices fast and free shipping free returns cash on delivery available on eligible purchase

*projet mars alpha page officielle de l auteur pierre etienne bram* - Jun 12 2023

web projet mars alpha page officielle de l auteur pierre etienne bram

**projet mars alpha wef tamu texas a m university** - Dec 26 2021

*spacex missions mars* - Jul 01 2022

web jun 11 2023 pedro les 4 lauréats du programme de télé réalité mars alpha sélectionnés parmi plus de 200 000 candidats sont filmés quasi 24h 24 sur la planète

**big and icon to 3d print new martian vernacular for** - Mar 09 2023

web abebooks com projet mars alpha french edition 9781090378439 by bram pierre etienne and a great selection of similar new used and collectible books available now

mars on earth apply for nasa s simulated martian mission - Jul 13 2023

web aug 13 2021 if you succeed you ll be one of four people living and working in a habitat called mars dune alpha at nasa s johnson space center in houston applications are

icon 3d prints the first simulated mars surface - Dec 06 2022

web landing on mars starship will enter mars atmosphere at 7 5 kilometers per second and decelerate aerodynamically the vehicle s heat shield is designed to withstand multiple

**projet mars alpha bram pierre etienne amazon com tr kitap** - Sep 03 2022

web jul 17 2020 pod 4 kişinin kalacağı bir mars habitatıdır kendi kendine yetebilme özelliği olan podlar bu sayede ana yerleşimden uzak yerlerde tekil üsler olarak da

**big nasa and icon reveal 3d printed research** - Apr 10 2023

web apr 12 2023 a working area inside the mars dune alpha nasa s 3d printed simulated mars habitat photograph go nakamura reuters the four crew members will live in a