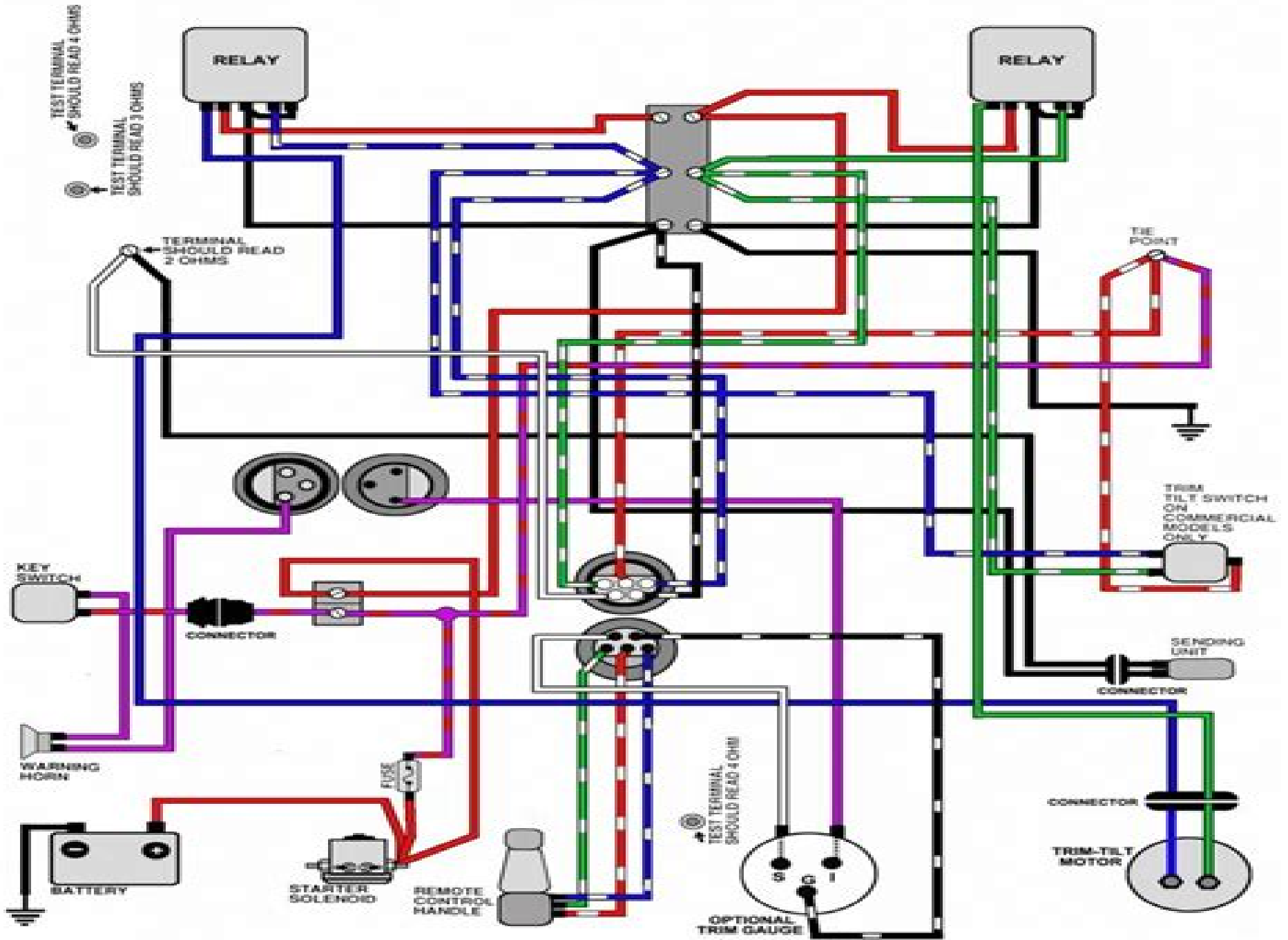


1987-UP POWER TRIM/TILT WITH RELAYS & 2-WIRE MOTOR



Z20 Efi Wiring Diagrams

Victor Wilfred Page



Z20 Efi Wiring Diagrams:

Rellim EFI and Powertrain Management Systems: Diagnosis, Repair, Wiring diagrams, Voltage readings, Fault codes, Photographs Greg Williams,Chris Anderson,Les Garam,2002 *Rellim EFI and Powertrain Management Systems: Engine systems, Transmission systems, Diagnosis, Repair, Voltage readings, Wiring diagrams, Fault codes* Greg Williams,Chris Anderson,Les Garam,2002 Automobile Starting, Lighting and Ignition Victor Wilfred Page,2018-10-10 This work has been selected by scholars as being culturally important and is part of the knowledge base of civilization as we know it This work is in the public domain in the United States of America and possibly other nations Within the United States you may freely copy and distribute this work as no entity individual or corporate has a copyright on the body of the work Scholars believe and we concur that this work is important enough to be preserved reproduced and made generally available to the public To ensure a quality reading experience this work has been proofread and republished using a format that seamlessly blends the original graphical elements with text in an easy to read typeface We appreciate your support of the preservation process and thank you for being an important part of keeping this knowledge alive and relevant *Automobile Starting, Lighting and Ignition* Victor Wilfred Page,2015-08-11 This work has been selected by scholars as being culturally important and is part of the knowledge base of civilization as we know it This work was reproduced from the original artifact and remains as true to the original work as possible Therefore you will see the original copyright references library stamps as most of these works have been housed in our most important libraries around the world and other notations in the work This work is in the public domain in the United States of America and possibly other nations Within the United States you may freely copy and distribute this work as no entity individual or corporate has a copyright on the body of the work As a reproduction of a historical artifact this work may contain missing or blurred pages poor pictures errant marks etc Scholars believe and we concur that this work is important enough to be preserved reproduced and made generally available to the public We appreciate your support of the preservation process and thank you for being an important part of keeping this knowledge alive and relevant

Discover tales of courage and bravery in its empowering ebook, Stories of Fearlessness: **Z20 Efi Wiring Diagrams** . In a downloadable PDF format (Download in PDF: *), this collection inspires and motivates. Download now to witness the indomitable spirit of those who dared to be brave.

<https://movement.livewellcolorado.org/public/uploaded-files/default.aspx/unisa%20may%20june%20examsation%20timetable%20for%202015.pdf>

Table of Contents Z20 Efi Wiring Diagrams

1. Understanding the eBook Z20 Efi Wiring Diagrams
 - The Rise of Digital Reading Z20 Efi Wiring Diagrams
 - Advantages of eBooks Over Traditional Books
2. Identifying Z20 Efi Wiring Diagrams
 - Exploring Different Genres
 - Considering Fiction vs. Non-Fiction
 - Determining Your Reading Goals
3. Choosing the Right eBook Platform
 - Popular eBook Platforms
 - Features to Look for in an Z20 Efi Wiring Diagrams
 - User-Friendly Interface
4. Exploring eBook Recommendations from Z20 Efi Wiring Diagrams
 - Personalized Recommendations
 - Z20 Efi Wiring Diagrams User Reviews and Ratings
 - Z20 Efi Wiring Diagrams and Bestseller Lists
5. Accessing Z20 Efi Wiring Diagrams Free and Paid eBooks
 - Z20 Efi Wiring Diagrams Public Domain eBooks
 - Z20 Efi Wiring Diagrams eBook Subscription Services
 - Z20 Efi Wiring Diagrams Budget-Friendly Options

6. Navigating Z20 Efi Wiring Diagrams eBook Formats
 - ePub, PDF, MOBI, and More
 - Z20 Efi Wiring Diagrams Compatibility with Devices
 - Z20 Efi Wiring Diagrams Enhanced eBook Features
7. Enhancing Your Reading Experience
 - Adjustable Fonts and Text Sizes of Z20 Efi Wiring Diagrams
 - Highlighting and Note-Taking Z20 Efi Wiring Diagrams
 - Interactive Elements Z20 Efi Wiring Diagrams
8. Staying Engaged with Z20 Efi Wiring Diagrams
 - Joining Online Reading Communities
 - Participating in Virtual Book Clubs
 - Following Authors and Publishers Z20 Efi Wiring Diagrams
9. Balancing eBooks and Physical Books Z20 Efi Wiring Diagrams
 - Benefits of a Digital Library
 - Creating a Diverse Reading Collection Z20 Efi Wiring Diagrams
10. Overcoming Reading Challenges
 - Dealing with Digital Eye Strain
 - Minimizing Distractions
 - Managing Screen Time
11. Cultivating a Reading Routine Z20 Efi Wiring Diagrams
 - Setting Reading Goals Z20 Efi Wiring Diagrams
 - Carving Out Dedicated Reading Time
12. Sourcing Reliable Information of Z20 Efi Wiring Diagrams
 - Fact-Checking eBook Content of Z20 Efi Wiring Diagrams
 - Distinguishing Credible Sources
13. Promoting Lifelong Learning
 - Utilizing eBooks for Skill Development
 - Exploring Educational eBooks
14. Embracing eBook Trends
 - Integration of Multimedia Elements

- Interactive and Gamified eBooks

Z20 Efi Wiring Diagrams Introduction

In the digital age, access to information has become easier than ever before. The ability to download Z20 Efi Wiring Diagrams has revolutionized the way we consume written content. Whether you are a student looking for course material, an avid reader searching for your next favorite book, or a professional seeking research papers, the option to download Z20 Efi Wiring Diagrams has opened up a world of possibilities. Downloading Z20 Efi Wiring Diagrams provides numerous advantages over physical copies of books and documents. Firstly, it is incredibly convenient. Gone are the days of carrying around heavy textbooks or bulky folders filled with papers. With the click of a button, you can gain immediate access to valuable resources on any device. This convenience allows for efficient studying, researching, and reading on the go. Moreover, the cost-effective nature of downloading Z20 Efi Wiring Diagrams has democratized knowledge. Traditional books and academic journals can be expensive, making it difficult for individuals with limited financial resources to access information. By offering free PDF downloads, publishers and authors are enabling a wider audience to benefit from their work. This inclusivity promotes equal opportunities for learning and personal growth. There are numerous websites and platforms where individuals can download Z20 Efi Wiring Diagrams. These websites range from academic databases offering research papers and journals to online libraries with an expansive collection of books from various genres. Many authors and publishers also upload their work to specific websites, granting readers access to their content without any charge. These platforms not only provide access to existing literature but also serve as an excellent platform for undiscovered authors to share their work with the world. However, it is essential to be cautious while downloading Z20 Efi Wiring Diagrams. Some websites may offer pirated or illegally obtained copies of copyrighted material. Engaging in such activities not only violates copyright laws but also undermines the efforts of authors, publishers, and researchers. To ensure ethical downloading, it is advisable to utilize reputable websites that prioritize the legal distribution of content. When downloading Z20 Efi Wiring Diagrams, users should also consider the potential security risks associated with online platforms. Malicious actors may exploit vulnerabilities in unprotected websites to distribute malware or steal personal information. To protect themselves, individuals should ensure their devices have reliable antivirus software installed and validate the legitimacy of the websites they are downloading from. In conclusion, the ability to download Z20 Efi Wiring Diagrams has transformed the way we access information. With the convenience, cost-effectiveness, and accessibility it offers, free PDF downloads have become a popular choice for students, researchers, and book lovers worldwide. However, it is crucial to engage in ethical downloading practices and prioritize personal security when utilizing online platforms. By doing so, individuals can make the most of the vast array of free PDF resources available and embark on a journey of continuous learning and intellectual growth.

FAQs About Z20 Efi Wiring Diagrams Books

1. Where can I buy Z20 Efi Wiring Diagrams books? Bookstores: Physical bookstores like Barnes & Noble, Waterstones, and independent local stores. Online Retailers: Amazon, Book Depository, and various online bookstores offer a wide range of books in physical and digital formats.
2. What are the different book formats available? Hardcover: Sturdy and durable, usually more expensive. Paperback: Cheaper, lighter, and more portable than hardcovers. E-books: Digital books available for e-readers like Kindle or software like Apple Books, Kindle, and Google Play Books.
3. How do I choose a Z20 Efi Wiring Diagrams book to read? Genres: Consider the genre you enjoy (fiction, non-fiction, mystery, sci-fi, etc.). Recommendations: Ask friends, join book clubs, or explore online reviews and recommendations. Author: If you like a particular author, you might enjoy more of their work.
4. How do I take care of Z20 Efi Wiring Diagrams books? Storage: Keep them away from direct sunlight and in a dry environment. Handling: Avoid folding pages, use bookmarks, and handle them with clean hands. Cleaning: Gently dust the covers and pages occasionally.
5. Can I borrow books without buying them? Public Libraries: Local libraries offer a wide range of books for borrowing. Book Swaps: Community book exchanges or online platforms where people exchange books.
6. How can I track my reading progress or manage my book collection? Book Tracking Apps: Goodreads, LibraryThing, and Book Catalogue are popular apps for tracking your reading progress and managing book collections. Spreadsheets: You can create your own spreadsheet to track books read, ratings, and other details.
7. What are Z20 Efi Wiring Diagrams audiobooks, and where can I find them? Audiobooks: Audio recordings of books, perfect for listening while commuting or multitasking. Platforms: Audible, LibriVox, and Google Play Books offer a wide selection of audiobooks.
8. How do I support authors or the book industry? Buy Books: Purchase books from authors or independent bookstores. Reviews: Leave reviews on platforms like Goodreads or Amazon. Promotion: Share your favorite books on social media or recommend them to friends.
9. Are there book clubs or reading communities I can join? Local Clubs: Check for local book clubs in libraries or community centers. Online Communities: Platforms like Goodreads have virtual book clubs and discussion groups.
10. Can I read Z20 Efi Wiring Diagrams books for free? Public Domain Books: Many classic books are available for free as they're in the public domain. Free E-books: Some websites offer free e-books legally, like Project Gutenberg or Open Library.

Find Z20 Efi Wiring Diagrams :

[unisa may june examsation timetable for 2015](#)

unisa registration for 2016

[unisa past exam papers with answers mno2601](#)

[unified design of steel structures solution manual](#)

[unit 7 workbook answer](#)

unisa 2015 second semester application for nsfas

[unit 4 reproductive system terminology list](#)

uniform circular motion multiple choice questions

union gospel press sunday school lesson for aug 3rd 24

[unisa south africa application form 2015](#)

[unit 10 vocab level e answers](#)

[uniform borrower assistance form form 7](#)

[unit 9 ap biology study guide](#)

unisa 2015 undergraduate prospectus

[uniden gmr1838 2ck operators manual](#)

Z20 Efi Wiring Diagrams :

lettres de condoléances modèles et aide pour écrire votre texte - Aug 03 2022

web nous pensons très fort à vous en ce moment difficile qu'il elle repose en paix si nous pouvons vous apporter ne serait ce qu'une aide concrète ou du soutien dans cette épreuve n'hésitez pas à vous tourner vers nous devant ce douloureux événement je suis bouleversé e

reposes en paix ou repose en paix blogger - Jun 01 2022

web jul 24 2017 repose en paix objectif pédagogique la graphie des verbes se terminant par un e muet à l'impératif repose tel que le mot sonne à l'oral peut être la conjugaison du verbe reposer au présent de l'indicatif du subjonctif et de l'impératif aux personnes du singulier mais les données ne sont plus les mêmes à l'écrit

r i p qu est ce que cela signifie définition la culture générale - Mar 30 2022

web jun 19 2018 cette inscription latine qui signifie qu'il elle repose en paix ou qu'ils elles reposent en paix avec requiescant est parfois inscrite sur les sépultures chrétiennes ou sur les faire part de décès requiescat du verbe requiescere

prendre du repos se reposer au subjonctif présent et de in pace en paix

qu elle repose en paix traduction anglaise linguee - Jun 13 2023

web de très nombreux exemples de phrases traduites contenant qu elle repose en paix dictionnaire anglais français et moteur de recherche de traductions anglaises

repose en paix traduction en anglais exemples français - Nov 06 2022

web qu elle repose en paix she was a bitter woman may she rest in peace bonne chance repose en paix good luck rest in peace and all that alors repose en paix bébé so rest in peace baby que ton âme repose en paix mon ennemi juré rest in

elle repose en paix english translation linguee - Feb 09 2023

web many translated example sentences containing elle repose en paix english french dictionary and search engine for english translations

qu elle repose en paix traduction espagnole linguee - Dec 27 2021

web de très nombreux exemples de phrases traduites contenant qu elle repose en paix dictionnaire espagnol français et moteur de recherche de traductions espagnoles

messages de repos en paix de janvier 2023 et citations rip - Feb 26 2022

web jan 6 2023 les messages de repos en paix sont l ordre dans la mort d un être cher la mort est l un des événements les plus tristes et les plus malheureux de la vie cela laisse les amis la famille et les proches dans le choc et la douleur et parfois ils ne s en remettent jamais messages rip tristes et sympathiques personne n est censé vivre éternellement

translation of qu elle repose en paix in english reverso context - Jul 14 2023

web guppy goldberg may she rest in peace elle a vendu la maison à ma marraine qu elle repose en paix she sold the house to my godmother may she rest in peace finalement toutes sont passées à la commission directive et la sous commission de femmes qu elle repose en paix a été dissoute

définition qu elle repose en paix dictionnaire français reverso - Sep 04 2022

web personne qui porte à la connaissance du public des faits dont elle a été témoin ou qu elle a découverts et qu elle juge pouvoir constituer une menace pour l homme ou son environnement

exemples de lettres de condoléances mieux traverser le deuil - Jan 28 2022

web elle me laissera de bons souvenirs je me souviendrai de sa joie de vivre et de sa façon d être je suis certain qu elle repose en paix et je m associe à ta douleur n hésite pas à me contacter si tu as besoin de parler ou de toute autre aide ton ami antonio À un e voisin e qui a perdu son mari ou sa femme chère madame

comment utiliser repose en paix dans une phrase bab la - Oct 05 2022

web trouvez comment utiliser repose en paix dans une phrase beaucoup d exemples de phrases avec le mot repose en paix

modèles de textes pour présenter ses condoléances - May 12 2023

web qu elle repose en paix je viens d apprendre que ta maman nous a quittés après cette longue maladie qu elle a affrontée avec tant de courage l heure est donc venue pour elle d être libérée de ses souffrances son départ nous laisse cependant bien désemparés car sa présence chaleureuse apportait de la joie à tous ceux qui la connaissaient

les 100 messages de condoléances les plus touchants photos - Aug 15 2023

web mar 13 2023 je suis toujours là si tu as besoin de moi que son âme repose en paix 8 ta perte nous a tous laissés dans un état de chagrin profond je t envoie toutes mes condoléances 9 nos coeurs sont attristés par ta perte on pense beaucoup à toi et on prie chaque jour pour que tu trouves la force de surmonter cette période difficile 10

qu il repose en paix traduction anglaise linguee - Jan 08 2023

web de très nombreux exemples de phrases traduites contenant qu il repose en paix dictionnaire anglais français et moteur de recherche de traductions anglaises

texte condoléances sélection de textes de condoléances - Apr 30 2022

web oct 6 2022 elle restera à jamais dans nos coeurs puisse t elle reposer en paix je n oublierai jamais sa gentillesse que dieu lui donne le repos éternel et à sa famille la force de supporter cette immense douleur je tiens à offrir mes plus sincères condoléances et que son âme repose en paix

qu ils reposent en paix traduction anglaise linguee - Dec 07 2022

web de très nombreux exemples de phrases traduites contenant qu ils reposent en paix dictionnaire anglais français et moteur de recherche de traductions anglaises

repose en paix signification et origine de l expression - Apr 11 2023

web origine du latin requiescat in pace cette formule se retrouve dans tous les pays de culture chrétienne inscrite sur les tombes ou les stèles funéraires elle invite l âme du défunt à reposer en paix l abréviation rip est également trouvée

citation repose en paix 5 phrases et proverbes - Jul 02 2022

web 5 citations et proverbes citation maman paix merci ma petite maman repose en paix et sois certaine de toujours rester vivante en moi citation vie chose lisant son discours à

traduction de qu elle repose en paix en anglais reverso context - Mar 10 2023

web aouatef elloumi el ghoul qu elle repose en paix a été une inspiration pour tous ceux qui l ont rencontrée aouatef elloumi el ghoul may she rest in peace was an inspiration to anyone who met her elle cuisine comme votre mère qu elle repose en paix like your mother used to do may she rest in peace

griffin charge sync cable usb a to usb c 3m black - Feb 14 2023

web comes with abrasion resistant braided nylon outer jacket for long cable life under heavy use plus durable anodized

aluminium housings protect both of the usb connectors specifications cable type usb cable length 3 m connector on first end type a usb 3 1 usb connector on second end type c usb 3 1 usb charging data transfer

griffin mfi charge sync cable apple lightning to usb c - Dec 12 2022

web jul 6 2019 shop griffin mfi charge sync cable apple lightning to usb c compatible with e g iphone 11 11 pro se 2020 12 mini 12 12 pro 12 pro max 1 2 m long i fast charging i charging syncing black free delivery and returns on eligible orders

griffin charge sync lightning cable 3m 9 8ft imedia stores - Apr 16 2023

web griffin charge sync lightning cable 3m 9 8ft faster and safer charging the first ever sync and charge cable built with bulletproof kevlar fiber

griffin 3 ft micro usb charge sync cable black amazon com - Oct 10 2022

web product description usb to micro usb cable 3 videos help others learn more about this product by uploading a video upload your video product information technical details collapse all other technical details additional information warranty support

griffin technology premium usb c charge sync cable 3 ft 9 - Oct 22 2023

web jul 20 2017 product description long life charging cable charges and connects usb c devices to usb c chargers and accessories abrasion resistant braided nylon outer jacket for long cable life under heavy use durable anodized aluminum housings protect both the usb connectors supports data speeds up to 480 mbps

griffin usb a usb c 3m 5 stores see the best price - Jul 07 2022

web from amazon griffin 3m charge sync data cable with type usb type c connector 10ft black gp 022 blk 6 95 onbuy com charge sync cable usb a to usb c 3m black 6 62 griffin 3m charge sync data cable with type usb type c connector 10ft black gp 022 blk 6 95 this product is also available at 1 unverified merchant show

griffin technology 9 8 usb to lightning charge and sync cable - Apr 04 2022

web shop griffin technology 9 8 usb to lightning charge and sync cable at best buy find low everyday prices and buy online for delivery or in store pick up price match guarantee

premium usb c charge sync cable 3 ft 9 m black - Jul 19 2023

web add usb c and you ve got one powerful flexible cable powerful and durable griffin s premium usb c charge sync cable is tested and certified to safely deliver up to 15 watts of power to even the hungriest usb c tablet or smartphone use with any wall or car charger even quick charge compliant ones

griffin 3 usb c 3 1 to usb cable price and features team - Jun 06 2022

web 19 99

premium usb c charge sync cable 3 ft 9 m black - Mar 15 2023

web powerful and durable griffin s premium usb c charge sync cable is tested and certified to safely deliver up to 15 watts of power to even the hungriest usb c tablet or smartphone use with any wall or car charger even quick charge compliant ones [griffin retractable charge sync cable with lightning connector](#) - May 05 2022

web griffin retractable charge sync cable with lightning connector and micro usb charge sync cable for lightning and micro usb devices visit the griffin technology store

griffin 3 ft usb a to usb c charge sync cable ebay - Mar 03 2022

web find many great new used options and get the best deals for griffin 3 ft usb a to usb c charge sync cable at the best online prices at ebay free shipping for many products griffin 3 ft usb a to usb c charge sync cable for sale online ebay skip to main content shop by category enter your search keyword all categories advanced

griffin 3m charge sync data cable with type usb type c - Jun 18 2023

web about this item transfer data at superspeed usb c cables use the brand new blazing fast usb 3 1 gen 1 superspeed protocol to transfer data up to 5 gbps usb c incorporates a reversible connector which means there s no wrong way to plug in upside down or right side up usb c cables connect right the first time every time

griffin 3 ft usb a to usb c charge sync cable amazon com - Sep 21 2023

web sep 19 2015 griffin 3 ft usb a to usb c charge sync cable connect your usb c devices [shop for griffin usb a to usb c charge sync cable 3m black](#) - Nov 11 2022

web long life charging cable connects usb c devices to standard usb chargers and accessories easier connecting with reversible usb connectors plug into any full sized usb port regardless of orientation durable anodized aluminum housings protect both usb connectors abrasion resistant material for long cable life under heavy use specifications

griffin charge sync extra long usb c to lightning cable 10ft 3m - May 17 2023

web free delivery and returns on eligible orders buy griffin charge sync extra long usb c to lightning cable 10ft 3m white at amazon uk

premium usb c to usb a charge sync cable 0 9m - Aug 20 2023

web sku 90091525 colour black sold out survivor 1 year warranty free shipping within location details specs reviews our premium charge sync cables are designed for long reliable life then built with more durable materials and connectors add usb c and you ve got one powerful flexible cable

griffin 3m 9ft charge sync cable usb c usb a for samsung - Jan 13 2023

web for usb c smartphones and usb c tablets durable cable

shop for griffin usb a to usb c charge sync cable 3m virgin - Sep 09 2022

web shop online for griffin usb a to usb c charge sync cable 3m black on virgin megastore uae browse a massive range and

enjoy a 0 interest plan free delivery over 200 aed

[griffin 3m 9ft charge sync cable usb c usb a ebay](#) - Aug 08 2022

web find many great new used options and get the best deals for griffin 3m 9ft charge sync cable usb c usb a at the best online prices at ebay free delivery for many products

[chemistry in context applying chemistry to society rent](#) - Aug 03 2022

web jan 24 2011 chemistry in context applying chemistry to society edition 7th edition isbn 13 978 0073375663 format paperback softback publisher mcgraw hill science engineering math 1 24 2011 copyright 2012 dimensions 8 4 x 10 9 x 1 inches weight 2 65lbs

chemistry in context applying chemistry to society 7th edition - Mar 10 2023

web find step by step solutions and answers to chemistry in context applying chemistry to society 9780077468460 as well as thousands of textbooks so you can move forward with confidence

[chemistry in context for cambridge international as a level 7th](#) - Oct 05 2022

web aug 30 2022 free download chemistry in context for cambridge international as a level 7th edition authored by graham hill john holman and philippa gardom hulme in pdf

chapter 7 solutions chemistry in context 7th edition chegg com - Apr 11 2023

web access chemistry in context 7th edition chapter 7 solutions now our solutions are written by chegg experts so you can be assured of the highest quality

[your chemistry in context 6th edition oxford university press](#) - Jan 08 2023

web we ve included all the answers to your chemistry in context for cambridge international as a level 6th edition below to help you gauge your progress and understanding download your answers answers to quick questions zip

chemistry in context 7th edition lab manual answers - Feb 26 2022

web chemistry in context 7th edition lab manual answers support see prices chemistry in context 7th edition lab manual answers et5000 manual hp photosmart 8150 manual pdf sagem myc4 2 manual africa twin parts manual cakewalk sonar x1 producer manual ms 7184 ver 1 manual

[chemistry in context 7th edition american chemical society solutions](#) - Dec 07 2022

web apr 4 2019 answer energy from lightning or from an electrical arc associated with a transformer can cause oxygen molecules in the air to split to form oxygen atoms these oxygen atoms then react with

chemistry in context 7th seventh edition - Apr 30 2022

web dec 20 2014 chemistry in context 7th seventh edition saturday 20 december 2014 chemistry in context test bank solutions answers manual text book answers and solutions test bank for chemistry in context by american chemical society

for inquiries regarding this book please reach us atfalo2 at yahoo dot com

solved chapter 7 problem 1q solution chemistry in context 7th - Dec 27 2021

web access chemistry in context 7th edition chapter 7 problem 1q solution now our solutions are written by chegg experts so you can be assured of the highest quality

answers to end of chapter questions oxford university press - Jan 28 2022

web chemistry in context for cambridge international as a level 7th edition as level revision as level exam preparation as level multiple choice test a2 level revision a2 level exam preparation answers to in chapter questions answers to

chemistry in context 7th edition solutions crazyforstudy com - Feb 09 2023

web following in the tradition of the first six editions the goal of this successful issues based textbook chemistry in context seventh edition is to establish chemical principles on a need to know basis for non science majors enabling them to learn

chemistry in the context of their own lives and significant issues facing science and the world

chemistry in context 9780073375663 solutions and answers quizlet - May 12 2023

web find step by step solutions and answers to chemistry in context 9780073375663 as well as thousands of textbooks so you can move forward with confidence

chemistry in context 7th edition solution manual test bank - Sep 04 2022

web sep 6 2023 product details by american chemical societypublisher mcgraw hill science engineering math 7th edition january 24 2011 language englishisbn 10 007337

changes for the 7th edition of chemistry in context - Nov 06 2022

web in the 7th edition look for these changes chapter 0 chemistry for a sustainable future is a brand new chapter that introduces sustainability concepts such as cradle to cradle shifting baselines the tragedy of the commons the triple bottom line and ecological footprints

chemistry in context 7th edition textbook solutions chegg com - Jul 14 2023

web our interactive player makes it easy to find solutions to chemistry in context 7th edition problems you re working on just go to the chapter for your book hit a particularly tricky question bookmark it to easily review again before an exam

a project of the american chemical society - Mar 30 2022

web chemistry in context applying chemistry to society eighth edition pages cm american chemical society prepared by a team of writers cathy middlecamp and fi ve others title page verso includes index isbn 978 0 07 352297 5 isbn 0 07 352297 x hard copy acid free paper 1 biochemistry 2

chemistry 7th edition solutions and answers quizlet - Jun 13 2023

web find step by step solutions and answers to chemistry 9780618528448 as well as thousands of textbooks so you can move

forward with confidence fresh features from the 1 ai enhanced learning platform

pdf epub ebook oxford chemistry in context for cambridge - Jul 02 2022

web mar 9 2017 oxford chemistry in context for cambridge international as a level 7th edition graham hill john holman philippa gardom hulme the ever popular chemistry in context resource has been updated by the experienced author team to provide chemistry students with a comprehensive and dependable textbook for their studies

chemistry in context applying chemistry to society - Jun 01 2022

web chemistry in context applying chemistry to society interactives ch 2 the air we breathe ch 3 radiation from the sun ch 4 climate change ch 5 water everywhere ch 6 energy from combustion ch 7 energy from alternative sources ch 8

chemistry in context secondary oxford university press - Aug 15 2023

web an as level multiple choice interactive test answers to the in chapter and end of chapter questions in the student book syllabus matching grid for chemistry in context for cambridge international as a level 7th edition