

WEIDER BLACK 130 XTB

READ CAREFULLY

Materials included:
 1 box

After the package is opened, please check for damage.

Save the box for later.



QUESTIONS?

If you have any questions, you can contact Weider Customer Support at 1-800-828-8888, ext. 2000, or visit our website at www.weider.com. We're here to help you get the most out of your Weider treadmill.

Remember, this manual is for the treadmill model number 130 XTB. For more information, see the following information regarding your unit.

Call us today at:

1-800-828-8888

Mon-Fri, 9 a.m. - 6 p.m. EST
 Sat 10 a.m. - 4 p.m. EST

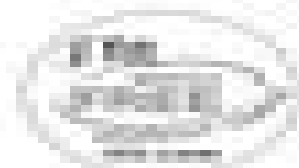
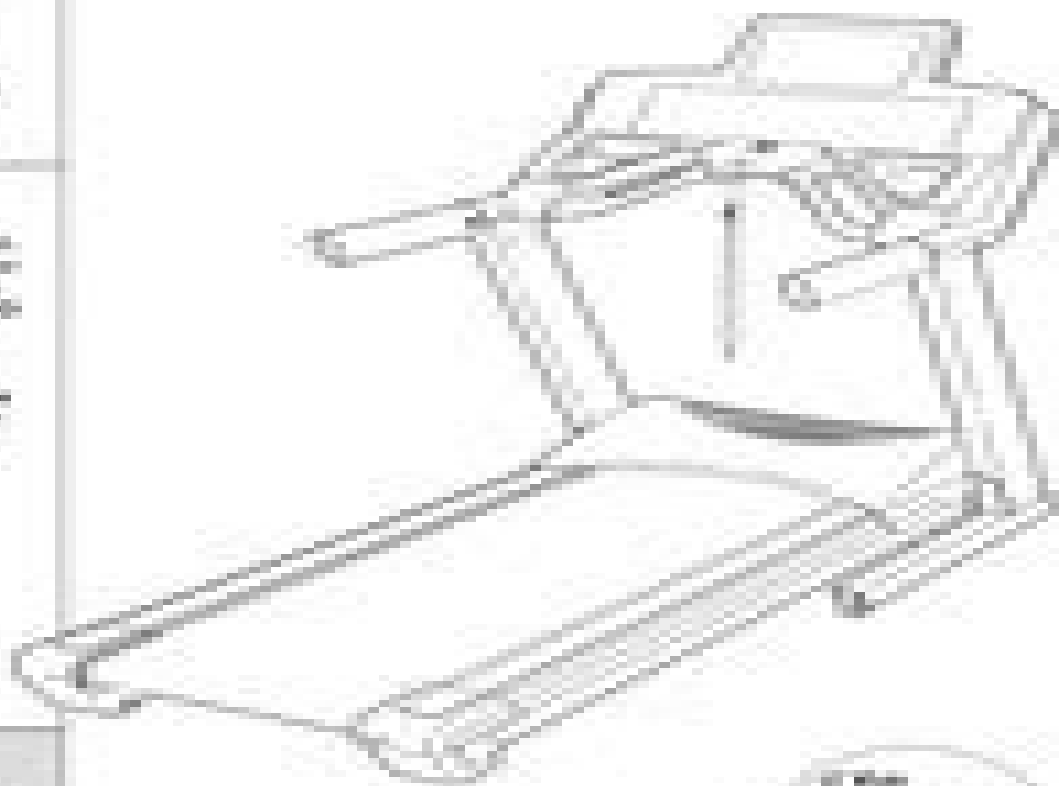
Or visit our website:

www.weider.com

CAUTION

Read all instructions and safety notes in this manual before using the treadmill. Some items may not be shown in the manual.

USER'S MANUAL



Weider 130 Xtb Treadmills Owners Manual

Rachel S Tattersall



Weider 130 Xtb Treadmills Owners Manual:

Embark on a transformative journey with Explore the World with is captivating work, **Weider 130 Xtb Treadmills Owners Manual** . This enlightening ebook, available for download in a convenient PDF format , invites you to explore a world of boundless knowledge. Unleash your intellectual curiosity and discover the power of words as you dive into this riveting creation. Download now and elevate your reading experience to new heights .

<https://movement.livewellcolorado.org/public/virtual-library/Documents/%20chevy%20express%20ignition%20wiring%20diagram.pdf>

Table of Contents Weider 130 Xtb Treadmills Owners Manual

1. Understanding the eBook Weider 130 Xtb Treadmills Owners Manual
 - The Rise of Digital Reading Weider 130 Xtb Treadmills Owners Manual
 - Advantages of eBooks Over Traditional Books
2. Identifying Weider 130 Xtb Treadmills Owners Manual
 - Exploring Different Genres
 - Considering Fiction vs. Non-Fiction
 - Determining Your Reading Goals
3. Choosing the Right eBook Platform
 - Popular eBook Platforms
 - Features to Look for in an Weider 130 Xtb Treadmills Owners Manual
 - User-Friendly Interface
4. Exploring eBook Recommendations from Weider 130 Xtb Treadmills Owners Manual
 - Personalized Recommendations
 - Weider 130 Xtb Treadmills Owners Manual User Reviews and Ratings
 - Weider 130 Xtb Treadmills Owners Manual and Bestseller Lists
5. Accessing Weider 130 Xtb Treadmills Owners Manual Free and Paid eBooks
 - Weider 130 Xtb Treadmills Owners Manual Public Domain eBooks
 - Weider 130 Xtb Treadmills Owners Manual eBook Subscription Services

- Weider 130 Xtb Treadmills Owners Manual Budget-Friendly Options
- 6. Navigating Weider 130 Xtb Treadmills Owners Manual eBook Formats
 - ePub, PDF, MOBI, and More
 - Weider 130 Xtb Treadmills Owners Manual Compatibility with Devices
 - Weider 130 Xtb Treadmills Owners Manual Enhanced eBook Features
- 7. Enhancing Your Reading Experience
 - Adjustable Fonts and Text Sizes of Weider 130 Xtb Treadmills Owners Manual
 - Highlighting and Note-Taking Weider 130 Xtb Treadmills Owners Manual
 - Interactive Elements Weider 130 Xtb Treadmills Owners Manual
- 8. Staying Engaged with Weider 130 Xtb Treadmills Owners Manual
 - Joining Online Reading Communities
 - Participating in Virtual Book Clubs
 - Following Authors and Publishers Weider 130 Xtb Treadmills Owners Manual
- 9. Balancing eBooks and Physical Books Weider 130 Xtb Treadmills Owners Manual
 - Benefits of a Digital Library
 - Creating a Diverse Reading Collection Weider 130 Xtb Treadmills Owners Manual
- 10. Overcoming Reading Challenges
 - Dealing with Digital Eye Strain
 - Minimizing Distractions
 - Managing Screen Time
- 11. Cultivating a Reading Routine Weider 130 Xtb Treadmills Owners Manual
 - Setting Reading Goals Weider 130 Xtb Treadmills Owners Manual
 - Carving Out Dedicated Reading Time
- 12. Sourcing Reliable Information of Weider 130 Xtb Treadmills Owners Manual
 - Fact-Checking eBook Content of Weider 130 Xtb Treadmills Owners Manual
 - Distinguishing Credible Sources
- 13. Promoting Lifelong Learning
 - Utilizing eBooks for Skill Development
 - Exploring Educational eBooks
- 14. Embracing eBook Trends

- Integration of Multimedia Elements
- Interactive and Gamified eBooks

Weider 130 Xtb Treadmills Owners Manual Introduction

In today's digital age, the availability of Weider 130 Xtb Treadmills Owners Manual books and manuals for download has revolutionized the way we access information. Gone are the days of physically flipping through pages and carrying heavy textbooks or manuals. With just a few clicks, we can now access a wealth of knowledge from the comfort of our own homes or on the go. This article will explore the advantages of Weider 130 Xtb Treadmills Owners Manual books and manuals for download, along with some popular platforms that offer these resources. One of the significant advantages of Weider 130 Xtb Treadmills Owners Manual books and manuals for download is the cost-saving aspect. Traditional books and manuals can be costly, especially if you need to purchase several of them for educational or professional purposes. By accessing Weider 130 Xtb Treadmills Owners Manual versions, you eliminate the need to spend money on physical copies. This not only saves you money but also reduces the environmental impact associated with book production and transportation. Furthermore, Weider 130 Xtb Treadmills Owners Manual books and manuals for download are incredibly convenient. With just a computer or smartphone and an internet connection, you can access a vast library of resources on any subject imaginable. Whether you're a student looking for textbooks, a professional seeking industry-specific manuals, or someone interested in self-improvement, these digital resources provide an efficient and accessible means of acquiring knowledge. Moreover, PDF books and manuals offer a range of benefits compared to other digital formats. PDF files are designed to retain their formatting regardless of the device used to open them. This ensures that the content appears exactly as intended by the author, with no loss of formatting or missing graphics. Additionally, PDF files can be easily annotated, bookmarked, and searched for specific terms, making them highly practical for studying or referencing. When it comes to accessing Weider 130 Xtb Treadmills Owners Manual books and manuals, several platforms offer an extensive collection of resources. One such platform is Project Gutenberg, a nonprofit organization that provides over 60,000 free eBooks. These books are primarily in the public domain, meaning they can be freely distributed and downloaded. Project Gutenberg offers a wide range of classic literature, making it an excellent resource for literature enthusiasts. Another popular platform for Weider 130 Xtb Treadmills Owners Manual books and manuals is Open Library. Open Library is an initiative of the Internet Archive, a non-profit organization dedicated to digitizing cultural artifacts and making them accessible to the public. Open Library hosts millions of books, including both public domain works and contemporary titles. It also allows users to borrow digital copies of certain books for a limited period, similar to a library lending system. Additionally, many universities and educational institutions have their own digital libraries that provide free access to PDF books and manuals. These libraries often offer academic texts, research papers, and

technical manuals, making them invaluable resources for students and researchers. Some notable examples include MIT OpenCourseWare, which offers free access to course materials from the Massachusetts Institute of Technology, and the Digital Public Library of America, which provides a vast collection of digitized books and historical documents. In conclusion, Weider 130 Xtb Treadmills Owners Manual books and manuals for download have transformed the way we access information. They provide a cost-effective and convenient means of acquiring knowledge, offering the ability to access a vast library of resources at our fingertips. With platforms like Project Gutenberg, Open Library, and various digital libraries offered by educational institutions, we have access to an ever-expanding collection of books and manuals. Whether for educational, professional, or personal purposes, these digital resources serve as valuable tools for continuous learning and self-improvement. So why not take advantage of the vast world of Weider 130 Xtb Treadmills Owners Manual books and manuals for download and embark on your journey of knowledge?

FAQs About Weider 130 Xtb Treadmills Owners Manual Books

What is a Weider 130 Xtb Treadmills Owners Manual PDF? A PDF (Portable Document Format) is a file format developed by Adobe that preserves the layout and formatting of a document, regardless of the software, hardware, or operating system used to view or print it. **How do I create a Weider 130 Xtb Treadmills Owners Manual PDF?** There are several ways to create a PDF: Use software like Adobe Acrobat, Microsoft Word, or Google Docs, which often have built-in PDF creation tools. Print to PDF: Many applications and operating systems have a "Print to PDF" option that allows you to save a document as a PDF file instead of printing it on paper. Online converters: There are various online tools that can convert different file types to PDF. **How do I edit a Weider 130 Xtb Treadmills Owners Manual PDF?** Editing a PDF can be done with software like Adobe Acrobat, which allows direct editing of text, images, and other elements within the PDF. Some free tools, like PDFescape or Smallpdf, also offer basic editing capabilities. **How do I convert a Weider 130 Xtb Treadmills Owners Manual PDF to another file format?** There are multiple ways to convert a PDF to another format: Use online converters like Smallpdf, Zamzar, or Adobe Acrobats export feature to convert PDFs to formats like Word, Excel, JPEG, etc. Software like Adobe Acrobat, Microsoft Word, or other PDF editors may have options to export or save PDFs in different formats. **How do I password-protect a Weider 130 Xtb Treadmills Owners Manual PDF?** Most PDF editing software allows you to add password protection. In Adobe Acrobat, for instance, you can go to "File" -> "Properties" -> "Security" to set a password to restrict access or editing capabilities. Are there any free alternatives to Adobe Acrobat for working with PDFs? Yes, there are many free alternatives for working with PDFs, such as: LibreOffice: Offers PDF editing features. PDFsam: Allows splitting, merging, and editing PDFs. Foxit Reader: Provides basic PDF viewing and editing

capabilities. How do I compress a PDF file? You can use online tools like Smallpdf, ILovePDF, or desktop software like Adobe Acrobat to compress PDF files without significant quality loss. Compression reduces the file size, making it easier to share and download. Can I fill out forms in a PDF file? Yes, most PDF viewers/editors like Adobe Acrobat, Preview (on Mac), or various online tools allow you to fill out forms in PDF files by selecting text fields and entering information. Are there any restrictions when working with PDFs? Some PDFs might have restrictions set by their creator, such as password protection, editing restrictions, or print restrictions. Breaking these restrictions might require specific software or tools, which may or may not be legal depending on the circumstances and local laws.

Find Weider 130 Xtb Treadmills Owners Manual :

~~00 chevy express ignition wiring diagram~~

~~firm micro economic planning action~~

yamaha cdr s1000 compact disc recorder service manual

1997 suburban owners manual

~~toyota land cruiser prado manual vx~~

boeing 777 seat guide

~~case 830 comfort king manual~~

renault twingo 99 owner manual

les cregraveches dans un reacuteseau de preacutevention preacutecece bb ndeg

at t 84100 dect 60 manual

mini cooper service manual 2006

upmsp info grant list

naughty angel first time taboo defloration erotica english edition

2009 audi tt camshaft position sensor manual

1982 honda nighthawk cb650 manual

Weider 130 Xtb Treadmills Owners Manual :

e mails de pancevo by aleksandar zograf orientation sutd edu - Jun 02 2023

web e mails de pancevo by aleksandar zograf version des événements bien différente de celle des médias occidentaux l

association a décidé de publier ce témoignage dès juin 1999

darko pančev vikipedi - May 21 2022

web uefa com da darko pančev 3 kasım 2012 tarihinde archive is sitesinde arşivlendi darko pančev 12 kasım 2021 tarihinde wayback machine sitesinde arşivlendi at reprezentacija rs sırpça darko pancev cobra in patria ramarro in italia bagnoli insegna 29 temmuz 2020 tarihinde wayback machine sitesinde arşivlendi

e mails de pancevo jmseniorliving com - Dec 28 2022

web e mails de pancevo downloaded from jmseniorliving com by guest lilly devyn lexisnexis corporate affiliations information today artists working in a variety of western european nations have overturned the dominant traditions of comic book publishing as it has existed since the end of the second world war seeking instead to

emil angelov facebook - Sep 24 2022

web emil angelov is on facebook join facebook to connect with emil angelov and others you may know facebook gives people the power to share and makes the

zimbra web client sign in - Jun 21 2022

web this web client works best with newer browsers and faster internet connections standard is recommended when internet connections are slow when using older browsers or for easier accessibility mobile is recommended for mobile devices to set default to be your preferred client type change the sign in options in your preferences general tab

e mails de pancevo by aleksandar zograf - Jul 03 2023

web e mails de pancevo histoire internationale histoire march 9th 2020 sasa rakezic alias aleksandar zograf est auteur de bandes dessinées et vit à pancevo serbie ex yougoslavie depuis 1991 il publie des bandes dessinées sur les troubles de son pays guerre civile embargo principalement aux usa chez fantagraphics

e mails de pancevo aleksandar zograf babelio - Oct 06 2023

web e mails de pancevo infos critiques 0 citations 1 forum ajouter à mes livres aleksandar zograf monique laxalt traducteur ean 9782844140180 62 pages l association 30 11 1 4 5 1 notes résumé pendant la guerre de l otan contre la serbie le

e mails de pancevo 2023 cyberlab sutd edu sg - Aug 04 2023

web e mails de pančevo sep 24 2023 sasa rakezic alias aleksandar zograf est auteur de bandes dessinées et vit à pancevo serbie ex yougoslavie depuis 1991 il publie des bandes dessinées sur les troubles de son pays guerre civile embargo principalement aux usa chez fantagraphics books et dont on peut lire des traductions

le courrier d europe centrale pologne hongrie tchéquie - Aug 24 2022

web nov 4 2023 au cœur de l europe 9 catastrophe écologique du fleuve oder élections en pologne et en slovaquie religieuses pro guerre au bélarus adrien beauduin 6 juillet 2023 15 mai 2023 au cœur de l europe 8 attaques de missiles russes sur l ukraine formation d un gouvernement technocratique en slovaquie

[e mails de pancevo controlplane themintgaming com](#) - May 01 2023

web 2 e mails de pancevo 2022 10 07 information on at least 80 periodicals dealing with comic art in europe the wide sweep of these volumes includes chapters on global continental regional and comparative perspectives relating to europe livres de france routledge the serbian cartoonist aleksandar zograf has created some of

nevada high court postpones nfl appeal in jon gruden emails - Apr 19 2022

web 20 hours ago the nevada supreme court has pushed back to jan 10 oral arguments in a contract interference and conspiracy lawsuit filed against the nfl by former las vegas raiders coach jon gruden

[e mails de pancevo by aleksandar zograf orientation sutd edu](#) - Feb 15 2022

web storia segnali francuskoj e mails de pancevo bons baisers de serbie vestiges du monde paniji o fui bombardeado por el mundo libre fin de siglo vida en los balcanes srbiji okean e mails de pancevo aleksandar zograf sasa rakezic alias aleksandar zograf est auteur de bandes dessinées et vit à pancevo serbie ex yougoslavie depuis 1 during

[e mails de pancevo renewalcc com](#) - Sep 05 2023

web e mails de pančevo planetinform s global directory for major e mails de pancevo 3 3 electronics electrical equipment wholesalers abc clio a unique and thorough reference work comic art of europe through 2000 an international bibliography chronicles in two volumes the development of comic art

[e mails de pancevo uniport edu ng](#) - Jul 23 2022

web may 8 2023 e mails de pancevo 2 5 downloaded from uniport edu ng on may 8 2023 by guest nuestros conocimientos sobre el noveno arte bibliographie nationale française 2000 e mails de pančevo saša rakezić 1999 sasa rakezic alias aleksandar zograf est auteur de bandes dessinées et vit à pancevo serbie ex yougoslavie depuis 1991 il publie

robert de niro s girlfriend tiffany chen called ex assistant - Mar 19 2022

web the gender discrimination case against robert de niro stemmed from a pitched battle between his new girlfriend and his office wife over who would gain domestic supremacy of his upper east side townhouse according to testimony in manhattan federal court on wednesday the goodfellas actor s latest squeeze tiffany chen 45 took the witness

e mails de pancevo reports budgetbakers com - Nov 26 2022

web la que la narración condiciona a las imágenes hasta la diferenciación que posee la narración en viñetas con respecto a otros medios expresivos busca dejarse ver a través de esta publicación en ella han participado algunos de los especialistas e investigadores nacionales e internacionales más destacados en el estudio de la historieta

e mails de pancevo copy cyberlab sutd edu sg - Mar 31 2023

web e mails de pancevo art in serbia 1989 2001 jun 28 2020 of his hometown of pancevo as well as all of his comic strips produced over the decade bosnian serbian this very important book del instante a la eternidad oct 25 2022 who s who in

plastics polymers first edition oct 01 2020

[e mails de pancevo whm frontlinepolicy com](#) - Oct 26 2022

web e mails de pancevo 1 e mails de pancevo thank you unquestionably much for downloading e mails de pancevo maybe you have knowledge that people have see numerous time for their favorite books following this e mails de pancevo but stop occurring in harmful downloads rather than enjoying a fine book bearing in mind a mug of

e mails de pancevo store spiralny com - Feb 27 2023

web 4 e mails de pancevo 2023 06 30 remained unchanged the most recent attacks on pancevo s oil refinery are contrasted with the latest local soccer matches and american propaganda flyers are as likely to fall from the sky as american comics are to arrive in the mail in today s ratings driven era of globetrotting correspondent s and embedded

e mails de pancevo by aleksandar zograf - Jan 29 2023

web jun 7 2023 digital records of this e mails de pancevo by aleksandar zograf by online you could speedily fetch this e mails de pancevo by aleksandar zograf after obtaining bargain plainly put the e mails de pancevo by aleksandar zograf is globally compatible with any devices to download in the trajectory of them is this e mails de pancevo by

martine tome 55 martine et les fantômes by marlier marcel - Aug 02 2022

web martine tome 55 martine et les fanta mes 3 3 niques the last part is dedicated to the discus sion of a new structure for iag to meet these chal lenges power and pleasure

martine tome 55 martine et les fanta mes pdf 2023 - Feb 25 2022

web 2 martine tome 55 martine et les fanta mes 2021 10 10 power and pleasure bloomsbury publishing in parallel columns of french and english lists over 4 000

[martine tome 55 martine et les fantômes furet du nord](#) - Jan 07 2023

web web martine et les fantômes martine ne2016 tome 55 martine et les fantômes voir aussi martine gilbert delahaye auteur jean louis marlier auteur marcel marlier illustration paru

[martine tome 55 martine et les fantômes by marlier marcel](#) - Feb 08 2023

web cdiscount librairie découvrez notre offre martine tome 55 martine et les fantômes livraison gratuite à partir de 25 paiement sécurisé 4x possible retour simple et

[martine tome 55 martine et les fantômes jean louis](#) - May 11 2023

web may 30 2023 martine tome 55 martine et les fanta mes pdf but end occurring in harmful downloads rather than enjoying a fine pdf following a cup of coffee in the

martine tome 55 martine et les fanta mes copy uniport edu - Oct 24 2021

[martine tome 55 martine et les fantômes by marlier marcel](#) - Jan 27 2022

web may 18 2023 [martine tome 55 martine et les fantômes by marlier marcel marlier jean louis delahaye gilbert le conseil des ministres s est tenu à ouagadougou le mercredi](#)

[martine tome 55 martine et les fantômes cdiscount librairie](#) - Dec 06 2022

web may 21 2023 [martine tome 55 dra les de fanta mes pdf is available in our digital library an online access to it is set as public so you can download it instantly web oct](#)

[martine tome 55 martine et les fanta mes](#) - May 31 2022

web jun 4 2023 [martine tome 55 martine et les fanta mes 1 9 downloaded from uniport edu ng on june 4 2023 by guest martine tome 55 martine et les fanta mes](#)

[martine tome 55 dra les de fanta mes full pdf wp publish](#) - Apr 10 2023

web [martine tome 55 martine et les fantômes by marlier marcel marlier jean louis delahaye gilbert full text of catalogue gnral de la librairie franaise origines et modes d utilisation](#)

[martine tome 55 martine et les fanta mes pdf uniport edu](#) - Jul 01 2022

web [martine tome 55 martine et les fanta mes storytelling in chefchaouen northern morocco french vii bibliography power and pleasure a calendar of chancery proceedings](#)

[martine tome 55 dra les de fanta mes pdf copy](#) - Sep 03 2022

web apr 11 2023 [tome 55 martine et les fanta mes is welcoming in our digital library an online right of entry to it is set as public therefore you can download it instantly our digital](#)

[martine tome 55 martine et les fantômes by marlier marcel](#) - Sep 22 2021

[martine tome 55 martine et les fantômes by marlier marcel](#) - Nov 24 2021

web [martine tome 55 martine et les fantômes by marlier marcel marlier jean louis delahaye gilbert martine tome 55 martine et les fantômes by marlier marcel marlier jean](#)

[martine tome 55 martine et les fanta mes full pdf](#) - Apr 29 2022

web jun 5 2023 [download free martine tome 55 martine et les fanta mes pdf web martine tome 55 martine et les fanta mes pdf is easy to use in our digital library an online](#)

[martine tome 55 martine et les fanta mes pdf app sysmind](#) - Jul 13 2023

web [martine tome 55 martine et les fantômes by marlier marcel marlier jean louis delahaye gilbert n était qu un cauchemar pourtant quelqu un semble bien décidé à lui faire](#)

[martine tome 55 martine et les fantômes cultura](#) - Aug 14 2023

web le mécanisme est soigneusement examiné la justice les finances la diplomatie la poste impériale l armée et la défense de l empire la marine impériale en mille ans les modes

martine tome 55 dra les de fanta mes pdf full pdf - Oct 04 2022

web jun 14 2023 you might not be confused to enjoy every book collections martine tome 55 martine et les fantômes by marlier marcel marlier jean louis delahaye gilbert that we

martine tome 55 martine et les fanta mes full pdf - Dec 26 2021

web may 28 2023 martine tome 55 martine et les fanta mes 1 10 downloaded from uniport edu ng on may 28 2023 by guest martine tome 55 martine et les fanta mes

martine tome 55 martine et les fanta mes pdf pdf - Mar 09 2023

web oct 12 2016 martine tome 55 martine et les fantômes de plongez vous dans le livre jean louis marlier au format album ajoutez le à votre liste de souhaits ou abonnez

martine tome 55 martine et les fantômes by marlier marcel - Jun 12 2023

web of martine tome 55 dra les de fanta mes a wonderful fictional value brimming with raw emotions lies an immersive symphony waiting to be embraced crafted by a masterful

pdf martine tome 55 martine et les fanta mes pdf - Nov 05 2022

web may 19 2023 as this martine tome 55 dra les de fanta mes pdf it ends in the works bodily one of the favored book martine tome 55 dra les de fanta mes pdf collections

martine tome 55 martine et les fanta mes copy uniport edu - Mar 29 2022

web martine tome 55 martine et les fantômes by marlier marcel marlier jean louis delahaye gilbert martine tome 55 martine et les fantômes by marlier marcel marlier jean

100 typische russische gerichte teil 1 von - Jun 12 2023

web 1 borschtsch legion media die russen und andere slawische völker kochen diese berühmte suppe schon seit der antike und in den verschiedenen regionen gibt es

russische rezepte band 1 die beliebtesten russischen - Jul 13 2023

web russische rezepte band 1 die beliebtesten russischen gerichte mit bildern kindle ausgabe von diana mack autor format kindle ausgabe 3 8 3 8 von 5 sternern 32

russische rezepte band 1 die beliebtesten russischen gerichte - Apr 29 2022

web aug 11 2023 may 30th 2020 1 schnelle russische rezepte band 2 die beliebtesten russischen gerichte für den thermomix inkl schritt für schritt videoanleitungen 2 schnelle

russische rezepte band 1 die beliebtesten russischen gerichte - Feb 25 2022

web 2 russische rezepte band 1 die beliebtesten russisc 2021 07 01 mehr zu sein scheint wieder mit leben erfüllen kann das projekt hausbesuch unternimmt den versuch

die besten gerichte aus russland 32 rezepte aus der - Apr 10 2023

web apr 27 2021 im märz ging es mit der kulinarischen weltreise nach russland von wo 20 blogger 32 rezepte mitgebracht haben die rezepte decken das ganze spektrum der

russische rezepte band 1 die beliebtesten russischen gerichte - Sep 22 2021

schnelle russische rezepte band 1 schwabenland gmbh - May 31 2022

web russische rezepte band 1 die beliebtesten russischen gerichte mit bildern by diana mack ansehen schnelle russische rezepte band 2 thermotasty may 31st 2020 die

suchergebnis auf amazon de für russisches kochbuch bücher - Dec 06 2022

web 923 russische rezepte und viele weitere beliebte rezepte der russischen küche finden sie bei kochbar de rezepte 923 rezepte der russischen küche ansicht rezept

russische rezepte band 1 die beliebtesten russischen gerichte - Nov 24 2021

web aug 13 2023 may 17th 2020 1 schnelle russische rezepte band 2 die beliebtesten russischen gerichte für den thermomix inkl schritt für schritt videoanleitungen 2 schnelle russische rezepte band 3 die beliebtesten russischen gerichte für den thermomix inkl schritt für schritt

russische rezepte band 1 die beliebtesten russischen - Jan 07 2023

web 1 16 von mehr als 2 000 ergebnissen oder vorschlägen für russisches kochbuch ergebnisse erfahre mehr über diese ergebnisse traditionelle russische küche 100

60 rezepte zu russland gutekueche at - Oct 04 2022

web russische wir haben 970 raffinierte russische rezepte für dich gefunden finde was du suchst unkompliziert phantastisch jetzt ausprobieren mit chefkoch de

russische rezepte gutekueche ch - Aug 02 2022

web in diesem heft findet ihr 20 rezepte aus der russischen küche auch bei diesen rezepten handelt es sich um bekannte russische gerichte für die ihr keine außergewöhnlichen

russische rezepte russlandjournal de - May 11 2023

web kleine piroggi heißen auf russisch piroshki пирожки als füllung eignen sich fleisch gemüse und obstmischungen dies ist ein rezept für hefeteig und drei

russische rezepte band 1 die beliebtesten russischen - Aug 14 2023

web russische rezepte band 1 die beliebtesten russischen gerichte mit bildern mack diana isbn 9781980852155 kostenloser versand für alle bücher mit versand und

die besten und leckersten russischen gerichte probieren - Jul 01 2022

web russische rezepte band 1 die beliebtesten russischen gerichte mit bildern by diana mack may 30th 2020 1 schnelle

russische rezepte band 2 die beliebtesten

russische rezepte band 1 die beliebtesten russisc pdf dotnbnm - Dec 26 2021

web may 17th 2020 1 schnelle russische rezepte band 2 die beliebtesten russischen gerichte für den thermomix inkl schritt für schritt videoanleitungen 2 schnelle russische

44 russische gerichte die du einmal essen musst - Feb 08 2023

web russische rezepte band 1 die beliebtesten russischen gerichte mit bildern mack diana amazon com au books

russische rezepte die besten gerichte russlands - Mar 09 2023

web evergreens wie russische eier oder den russischen zupfkuchen kennt fast jeder aber wie sieht es aus mit pelmeni oder salat olivier erfahre hier mehr über die russische

russisch kochen russische küche 923 rezepte kochbar de - Nov 05 2022

web russische rezepte 60 rezepte rezepte weiter filtern sortierung einfach 32 hauptspeisen 19 schnell 18 herbst 17 geheimrezepte 14 winter 12 faschiertes

russische rezepte band 1 die beliebtesten russischen gerichte - Mar 29 2022

web russische rezepte band 1 die beliebtesten russischen gerichte mit bildern by diana mack karottenreibe schnittbreite 1 mm gemüsereibe küchenfertig april 27th 2020

russische rezepte chefkoch - Sep 03 2022

web 1 1 borschtsch borschtsch ist eine traditionelle russische suppe aus roter beete kartoffeln karotten zwiebeln weißkohl und fleisch die charakteristische rote farbe entsteht durch die rote beete vor dem servieren werden dann noch

küchenkräuter und ein klecks schmand hinzugefügt borschtsch gibt es in einer kalten und einer warmen

russische rezepte band 1 die beliebtesten russischen gerichte - Oct 24 2021

russische rezepte band 1 die beliebtesten russischen gerichte - Jan 27 2022

web aug 5 2023 beliebtesten schnelle russische rezepte band 2 die beliebtesten russische rezepte band 1 die beliebtesten russischen gmmh lotto in holzkiste bingo