

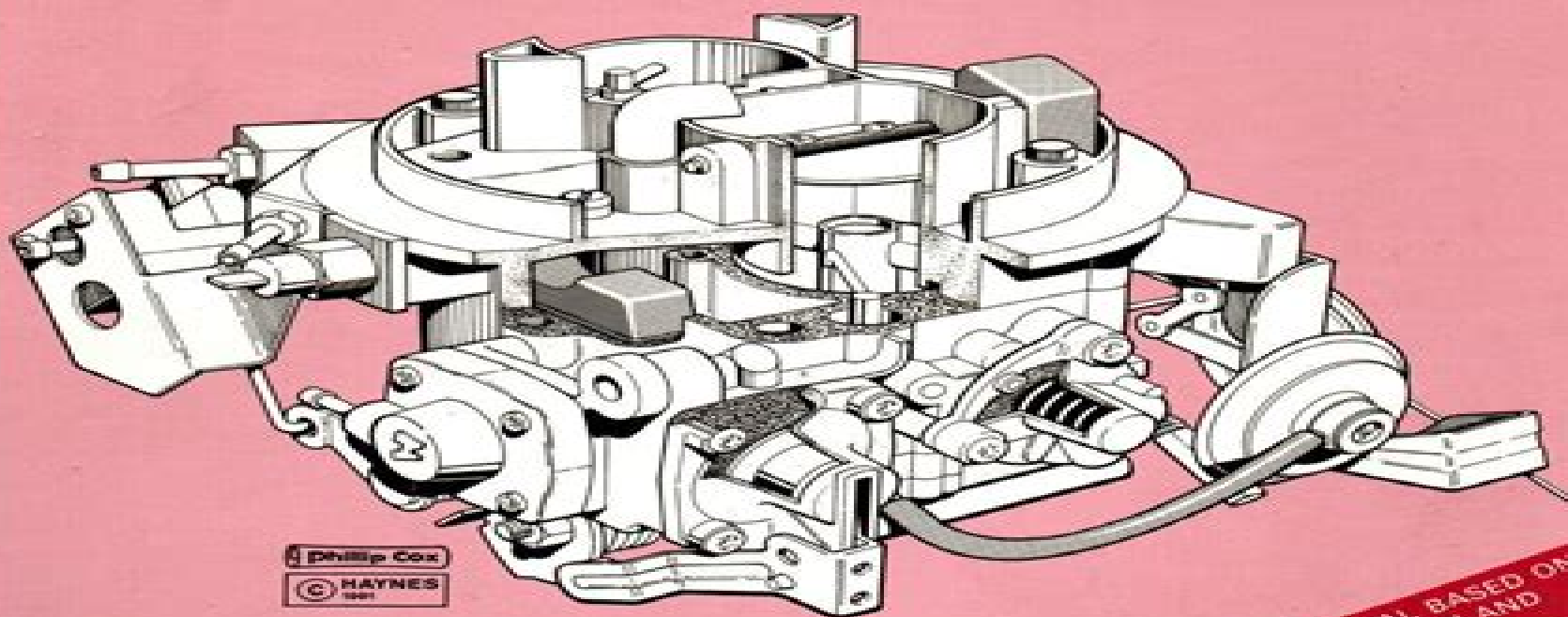
WEBER CARBURETTORS



Theory □ Specifications □ Fault diagnosis
Dismantling □ Repairs □ Service adjustments
Popular carburettor types □ 1979 to 1991

THE
BOOK

Repair & Service Manual



Philip Cox
© HAYNES
1991

EVERY MANUAL BASED ON
A STRIPDOWN AND
REBUILD

Weber 45 Haynes Manual

**United States. Congress. House.
Committee on Rules**



Weber 45 Haynes Manual:

Glenn's Foreign Car Repair Manual Harold T. Glenn,1963 **Haynes** Jeff Clew,1985 **Subaru Automotive Repair Manual** Larry Holt,John Harold Haynes,1990 Covers Subaru 2WD and 4WD sedan hatchback station wagon XT and Brat pick up 1980 thru 1989 With step by step procedures **Chilton's Import Automotive Repair Manual** ,1975
Chilton's Import Car Repair Manual Chilton Automotive Editorial Staff,Chilton Book Company,1979 This book includes repair information on cars and light trucks Includes specifications tune ups troubleshooting and diagnosis engine rebuilding emissions controls brakes transmissions and more *Motor Imported Car Repair Manual* ,1978 **Popular Mechanics** ,1949-05 Popular Mechanics inspires instructs and influences readers to help them master the modern world Whether it s practical DIY home improvement tips gadgets and digital technology information on the newest cars or the latest breakthroughs in science PM is the ultimate guide to our high tech lifestyle **Popular Mechanics** ,1976-09 Popular Mechanics inspires instructs and influences readers to help them master the modern world Whether it s practical DIY home improvement tips gadgets and digital technology information on the newest cars or the latest breakthroughs in science PM is the ultimate guide to our high tech lifestyle **National Library of Medicine Audiovisuals Catalog** National Library of Medicine (U.S.), **jeep cherokee and comanche automotive repair manual** ,2000 **Subject Guide to Books in Print** ,2001 **Automotive Body Repair & Painting Manual** John Haynes,1989-10-15 This is a complete do it yourself guide What you can learn Full color sections on minor repairs and painting Damage repair Painting Rust Repair Additional detailed information includes Rustproofing and undercoating Tools and equipment Repair of minor dents and rust damage Metal working techniques Major rust repair Body component replacement Sanding and painting Car care and detailing Welding Table of Contents Chapter 1 Introduction Chapter 2 Maintaining and preserving the paint body and interior Chapter 3 Damage repair Doing it yourself or having it done Chapter 4 Tools and working facilities Chapter 5 Minor body repairs Chapter 6 Major body repair Chapter 7 Body component replacement Chapter 8 Preparation for painting Chapter 9 Painting Chapter 10 Doors and glass Chapter 11 Trim and accessories Chapter 12 Welding **American Book Publishing Record** ,2002 **Manual of Molecular and Clinical Lab Immunology** Barbara Detrick,Robert G. Hamilton,James D. Folds,2006-03-10 Introduces new material that reflects the significant advances and developments in the field of clinical laboratory immunology Provides a comprehensive and practical approach to the procedures underlying clinical immunology testing Emphasizes molecular techniques used in the field of laboratory immunology Updates existing chapters and adds significant new material detailing molecular techniques used in the field Presents guidelines for selecting the best procedures for specific situations and discusses alternative procedures Covers aspects of immunology related disciplines such as allergy autoimmune diseases cancers and transplantation immunology **Haynes Ford Focus 2000 and 2001** Jay Storer,John Harold Haynes,2002 Inside this manual the reader will learn to do routine maintenance tune up procedures

engine repair along with aspects of your car such as cooling and heating air conditioning fuel and exhaust emissions control ignition brakes suspension and steering electrical systems wiring diagrams **Mazda 626 and MX-6 Automotive Repair Manual** Larry Warren,John Harold Haynes,1997-12 Mazda 626 FWD 1983 91 Shop Manual Haynes 253 pgs 607 ill

Digest and Manual of the Rules and Practice of the House of Representatives, in which is Also Included the Constitution of the United States of America ... United States. Congress. House. Committee on Rules,1886 **Popular Science** ,1963-04 Popular Science gives our readers the information and tools to improve their technology and their world The core belief that Popular Science and our readers share The future is going to be better and science and technology are the driving forces that will help make it better **Popular Science** ,1963-08 Popular Science gives our readers the information and tools to improve their technology and their world The core belief that Popular Science and our readers share The future is going to be better and science and technology are the driving forces that will help make it better **Jeep Grand Cherokee Automotive Repair Manual** Larry Warren,John Harold Haynes,2000 Models covered all Jeep Grand Cherokee models 1993 through 2000

The Top Books of the Year Weber 45 Haynes Manual The year 2023 has witnessed a remarkable surge in literary brilliance, with numerous engrossing novels captivating the hearts of readers worldwide. Lets delve into the realm of top-selling books, exploring the captivating narratives that have charmed audiences this year. The Must-Read : Colleen Hoover's "It Ends with Us" This touching tale of love, loss, and resilience has captivated readers with its raw and emotional exploration of domestic abuse. Hoover skillfully weaves a story of hope and healing, reminding us that even in the darkest of times, the human spirit can triumph. Weber 45 Haynes Manual : Taylor Jenkins Reids "The Seven Husbands of Evelyn Hugo" This intriguing historical fiction novel unravels the life of Evelyn Hugo, a Hollywood icon who defies expectations and societal norms to pursue her dreams. Reids compelling storytelling and compelling characters transport readers to a bygone era, immersing them in a world of glamour, ambition, and self-discovery. Discover the Magic : Delia Owens "Where the Crawdads Sing" This mesmerizing coming-of-age story follows Kya Clark, a young woman who grows up alone in the marshes of North Carolina. Owens weaves a tale of resilience, survival, and the transformative power of nature, entrancing readers with its evocative prose and mesmerizing setting. These bestselling novels represent just a fraction of the literary treasures that have emerged in 2023. Whether you seek tales of romance, adventure, or personal growth, the world of literature offers an abundance of engaging stories waiting to be discovered. The novel begins with Richard Papen, a bright but troubled young man, arriving at Hampden College. Richard is immediately drawn to the group of students who call themselves the Classics Club. The club is led by Henry Winter, a brilliant and charismatic young man. Henry is obsessed with Greek mythology and philosophy, and he quickly draws Richard into his world. The other members of the Classics Club are equally as fascinating. Bunny Corcoran is a wealthy and spoiled young man who is always looking for a good time. Charles Tavis is a quiet and reserved young man who is deeply in love with Henry. Camilla Macaulay is a beautiful and intelligent young woman who is drawn to the power and danger of the Classics Club. The students are all deeply in love with Morrow, and they are willing to do anything to please him. Morrow is a complex and mysterious figure, and he seems to be manipulating the students for his own purposes. As the students become more involved with Morrow, they begin to commit increasingly dangerous acts. The Secret History is a masterful and thrilling novel that will keep you wondering until the very end. The novel is a warning tale about the dangers of obsession and the power of evil.

https://movement.livewellcolorado.org/results/virtual-library/HomePages/The_Challenger_Sale_Taking_Control_Of_The_Customer_Conversation.pdf

Table of Contents Weber 45 Haynes Manual

1. Understanding the eBook Weber 45 Haynes Manual
 - The Rise of Digital Reading Weber 45 Haynes Manual
 - Advantages of eBooks Over Traditional Books
2. Identifying Weber 45 Haynes Manual
 - Exploring Different Genres
 - Considering Fiction vs. Non-Fiction
 - Determining Your Reading Goals
3. Choosing the Right eBook Platform
 - Popular eBook Platforms
 - Features to Look for in an Weber 45 Haynes Manual
 - User-Friendly Interface
4. Exploring eBook Recommendations from Weber 45 Haynes Manual
 - Personalized Recommendations
 - Weber 45 Haynes Manual User Reviews and Ratings
 - Weber 45 Haynes Manual and Bestseller Lists
5. Accessing Weber 45 Haynes Manual Free and Paid eBooks
 - Weber 45 Haynes Manual Public Domain eBooks
 - Weber 45 Haynes Manual eBook Subscription Services
 - Weber 45 Haynes Manual Budget-Friendly Options
6. Navigating Weber 45 Haynes Manual eBook Formats
 - ePub, PDF, MOBI, and More
 - Weber 45 Haynes Manual Compatibility with Devices
 - Weber 45 Haynes Manual Enhanced eBook Features
7. Enhancing Your Reading Experience
 - Adjustable Fonts and Text Sizes of Weber 45 Haynes Manual
 - Highlighting and Note-Taking Weber 45 Haynes Manual
 - Interactive Elements Weber 45 Haynes Manual
8. Staying Engaged with Weber 45 Haynes Manual

- Joining Online Reading Communities
 - Participating in Virtual Book Clubs
 - Following Authors and Publishers Weber 45 Haynes Manual
9. Balancing eBooks and Physical Books Weber 45 Haynes Manual
- Benefits of a Digital Library
 - Creating a Diverse Reading Collection Weber 45 Haynes Manual
10. Overcoming Reading Challenges
- Dealing with Digital Eye Strain
 - Minimizing Distractions
 - Managing Screen Time
11. Cultivating a Reading Routine Weber 45 Haynes Manual
- Setting Reading Goals Weber 45 Haynes Manual
 - Carving Out Dedicated Reading Time
12. Sourcing Reliable Information of Weber 45 Haynes Manual
- Fact-Checking eBook Content of Weber 45 Haynes Manual
 - Distinguishing Credible Sources
13. Promoting Lifelong Learning
- Utilizing eBooks for Skill Development
 - Exploring Educational eBooks
14. Embracing eBook Trends
- Integration of Multimedia Elements
 - Interactive and Gamified eBooks

Weber 45 Haynes Manual Introduction

Free PDF Books and Manuals for Download: Unlocking Knowledge at Your Fingertips In today's fast-paced digital age, obtaining valuable knowledge has become easier than ever. Thanks to the internet, a vast array of books and manuals are now available for free download in PDF format. Whether you are a student, professional, or simply an avid reader, this treasure trove of downloadable resources offers a wealth of information, conveniently accessible anytime, anywhere. The advent of online libraries and platforms dedicated to sharing knowledge has revolutionized the way we consume information. No longer confined to physical libraries or bookstores, readers can now access an extensive collection of digital books and

manuals with just a few clicks. These resources, available in PDF, Microsoft Word, and PowerPoint formats, cater to a wide range of interests, including literature, technology, science, history, and much more. One notable platform where you can explore and download free Weber 45 Haynes Manual PDF books and manuals is the internet's largest free library. Hosted online, this catalog compiles a vast assortment of documents, making it a veritable goldmine of knowledge. With its easy-to-use website interface and customizable PDF generator, this platform offers a user-friendly experience, allowing individuals to effortlessly navigate and access the information they seek. The availability of free PDF books and manuals on this platform demonstrates its commitment to democratizing education and empowering individuals with the tools needed to succeed in their chosen fields. It allows anyone, regardless of their background or financial limitations, to expand their horizons and gain insights from experts in various disciplines. One of the most significant advantages of downloading PDF books and manuals lies in their portability. Unlike physical copies, digital books can be stored and carried on a single device, such as a tablet or smartphone, saving valuable space and weight. This convenience makes it possible for readers to have their entire library at their fingertips, whether they are commuting, traveling, or simply enjoying a lazy afternoon at home. Additionally, digital files are easily searchable, enabling readers to locate specific information within seconds. With a few keystrokes, users can search for keywords, topics, or phrases, making research and finding relevant information a breeze. This efficiency saves time and effort, streamlining the learning process and allowing individuals to focus on extracting the information they need. Furthermore, the availability of free PDF books and manuals fosters a culture of continuous learning. By removing financial barriers, more people can access educational resources and pursue lifelong learning, contributing to personal growth and professional development. This democratization of knowledge promotes intellectual curiosity and empowers individuals to become lifelong learners, promoting progress and innovation in various fields. It is worth noting that while accessing free Weber 45 Haynes Manual PDF books and manuals is convenient and cost-effective, it is vital to respect copyright laws and intellectual property rights. Platforms offering free downloads often operate within legal boundaries, ensuring that the materials they provide are either in the public domain or authorized for distribution. By adhering to copyright laws, users can enjoy the benefits of free access to knowledge while supporting the authors and publishers who make these resources available. In conclusion, the availability of Weber 45 Haynes Manual free PDF books and manuals for download has revolutionized the way we access and consume knowledge. With just a few clicks, individuals can explore a vast collection of resources across different disciplines, all free of charge. This accessibility empowers individuals to become lifelong learners, contributing to personal growth, professional development, and the advancement of society as a whole. So why not unlock a world of knowledge today? Start exploring the vast sea of free PDF books and manuals waiting to be discovered right at your fingertips.

FAQs About Weber 45 Haynes Manual Books

How do I know which eBook platform is the best for me? Finding the best eBook platform depends on your reading preferences and device compatibility. Research different platforms, read user reviews, and explore their features before making a choice. Are free eBooks of good quality? Yes, many reputable platforms offer high-quality free eBooks, including classics and public domain works. However, make sure to verify the source to ensure the eBook credibility. Can I read eBooks without an eReader? Absolutely! Most eBook platforms offer webbased readers or mobile apps that allow you to read eBooks on your computer, tablet, or smartphone. How do I avoid digital eye strain while reading eBooks? To prevent digital eye strain, take regular breaks, adjust the font size and background color, and ensure proper lighting while reading eBooks. What the advantage of interactive eBooks? Interactive eBooks incorporate multimedia elements, quizzes, and activities, enhancing the reader engagement and providing a more immersive learning experience. Weber 45 Haynes Manual is one of the best book in our library for free trial. We provide copy of Weber 45 Haynes Manual in digital format, so the resources that you find are reliable. There are also many Ebooks of related with Weber 45 Haynes Manual. Where to download Weber 45 Haynes Manual online for free? Are you looking for Weber 45 Haynes Manual PDF? This is definitely going to save you time and cash in something you should think about. If you trying to find then search around for online. Without a doubt there are numerous these available and many of them have the freedom. However without doubt you receive whatever you purchase. An alternate way to get ideas is always to check another Weber 45 Haynes Manual. This method for see exactly what may be included and adopt these ideas to your book. This site will almost certainly help you save time and effort, money and stress. If you are looking for free books then you really should consider finding to assist you try this. Several of Weber 45 Haynes Manual are for sale to free while some are payable. If you arent sure if the books you would like to download works with for usage along with your computer, it is possible to download free trials. The free guides make it easy for someone to free access online library for download books to your device. You can get free download on free trial for lots of books categories. Our library is the biggest of these that have literally hundreds of thousands of different products categories represented. You will also see that there are specific sites catered to different product types or categories, brands or niches related with Weber 45 Haynes Manual. So depending on what exactly you are searching, you will be able to choose e books to suit your own need. Need to access completely for Campbell Biology Seventh Edition book? Access Ebook without any digging. And by having access to our ebook online or by storing it on your computer, you have convenient answers with Weber 45 Haynes Manual To get started finding Weber 45 Haynes Manual, you are right to find our website which has a comprehensive collection of books online. Our library is the biggest of these that have literally hundreds of thousands of different products represented. You will also see that there are specific sites catered to different categories or niches related with Weber 45 Haynes Manual So depending on what exactly you are searching, you will be able to choose ebook to suit your

own need. Thank you for reading Weber 45 Haynes Manual. Maybe you have knowledge that, people have search numerous times for their favorite readings like this Weber 45 Haynes Manual, but end up in harmful downloads. Rather than reading a good book with a cup of coffee in the afternoon, instead they juggled with some harmful bugs inside their laptop. Weber 45 Haynes Manual is available in our book collection an online access to it is set as public so you can download it instantly. Our digital library spans in multiple locations, allowing you to get the most less latency time to download any of our books like this one. Merely said, Weber 45 Haynes Manual is universally compatible with any devices to read.

Find Weber 45 Haynes Manual :

the challenger sale taking control of the customer conversation

[the corpse maker scholastic play](#)

[the crucible study guide questions and answers act 3 and 4](#)

the circle of fire the metaphysics of yoga

the coldest crucible arctic exploration and american culture

the crucible study guide questions and answers act 3

the cowboy poet english edition

[the death of ivan ilych](#)

the darkest night 4 a bbw bdsm fairy tale

the crucible spidergram

[the dark cully s mistress](#)

[the day the laughter stopped](#)

the crucible study guide answers act 3 and 4

the cynic issue taboo toilet paper english edition

the copper scroll

Weber 45 Haynes Manual :

Convince Them in 90 Seconds or Less: Make Instant ... But he doesn't stop there. This book shows how to turn those instant connections into long-lasting, productive business relationships."—Marty Edelston, ... Convince Them in 90 Seconds or Less: Make Instant ... Convince Them in 90 Seconds or Less: Make Instant Connections That Pay Off in Business and in Life · Paperback · \$13.95. Convince Them in 90 Seconds or Less This book teaches you about the snap judgments that are made in

those first few instants and how you can make them work to your advantage. Once you're past ... How to Persuade People in 90 Seconds or Less May 27, 2010 — "Just adjust to useful attitudes, as opposed to useless attitudes," he says. "Useful might be resourceful or welcoming, enthusiastic. Useless ... Convince Them in 90 Seconds Mar 11, 2021 — There are a number of rules to learn in order to establish a fruitful relationship. They are to make the other person talk, stay focused on what ... Book review: Convince them in 90 seconds Aug 31, 2010 — Successful leaders share three really useful attitudes. They're enthusiastic. They're curious. And they embrace humility, with a public persona ... Convince Them in 90 Seconds or Less Quotes It's much easier to be convincing if you care about your topic. Figure out what's important to you about your message and speak from the heart. Convince Them in 90 Seconds or Less: Make Instant ... May 26, 2010 — Convince Them in 90 Seconds or Less: Make Instant Connections That Pay Off in Business and in Life (Paperback). By Nicholas Boothman. \$13.95. Convince Them in 90 Seconds or Less: Make Instant ... May 26, 2010 — Whether you're selling, negotiating, interviewing, networking, or leading a team, success depends on convincing other people - and ... Patterns for College Writing: A Rhetorical Reader and Guide Find step-by-step solutions and answers to Patterns for College Writing: A Rhetorical Reader and Guide - 9780312676841, as well as thousands of textbooks so ... Medium Length Important Questions & Answers from Patterns ... Patterns for College Writing Flashcards For students. Flashcards · Test · Learn · Solutions · Q-Chat: AI Tutor · Spaced Repetition · Modern Learning Lab · Quizlet Plus. For teachers. Live · Checkpoint ... Patterns for College Writing, 15th Edition Available for the first time with Achieve, Macmillan's new online learning platform, Patterns for College Writing is more flexible than ever. Patterns For College Writing Questions And Answers Introduce your thesis statement and briefly outline the main arguments you will present in the body of the essay. 6. Body paragraphs: Each body paragraph should ... Patterns For College Writing Homework Help & Answers Patterns For College Writing Homework Help. Post Homework Questions and Get Answers from Verified Tutors 24/7. PATTERNS for College Writing ... responses to the various kinds of writing prompts in the book. Not only does this material introduce students to the book's features, but it also prepares ... Patterns for College Writing: A Rhetorical Reader and Guide In Patterns for College Writing, they provide students with exemplary rhetorical models and instructors with class-tested selections. The readings are a balance ... Patterns For College Writing 12th Edition Answers Pdf Page 1. Patterns For College Writing 12th Edition Answers Pdf. INTRODUCTION Patterns For College Writing 12th Edition Answers Pdf .pdf. Part One: The Writing Process - Patterns for College Writing Patterns for College Writing · 1. Reading to Write: Becoming a Critical Reader · 2. Invention · 3. Arrangement · 4. Drafting and Revising · 5. Editing and ... Reader's Notebook Grade 5 (Journeys) Book details ; ISBN-10. 9780544592667 ; ISBN-13. 978-0544592667 ; Edition. 1st ; Publisher. HOUGHTON MIFFLIN HARCOURT ; Publication date. January 1, 2016. Journeys Common Core Reader'S Notebook ... Journeys Common Core Reader's Notebook Consumable Grade 5 ; Grade: 5 ; Material Type: Student Materials ; Format: Softcover, 432 Pages ; ISBN-13/EAN: 9780547860688 ... Common Core Reader's Notebook... by

Houghton ... Journeys Common Core Reader's Notebook Grade 5 Workbook. Read more ... #5,429 in Children's Beginner Readers. #13,448 in Unknown. Customer Reviews, 4.6 out of 5 ... Journeys Common Core Reader'S Notebook Teachers ... Journeys Common Core Reader's Notebook Teachers Edition Grade 5 ; Grade: 5 ; Material Type: Teacher Materials, Resource Materials ; Format: Printables(BLM), 216 ... Journeys Reader's Notebook Grade 5 Sep 7, 2020 — This comprehensive ELA program from Houghton Mifflin Harcourt may look familiar to you. It has been successfully used in public schools, ... Grade 5 Practice Book JOURNEYS. Practice Book. Grade 5. HOUGHTON MIFFLIN HARCOURT. School Publishers ... Connect to Reading Look through A Package for Mrs. Jewls. Find words that have ... Common Core Reader's Notebook Consumable... Journeys Common Core Reader's Notebook Grade 5 Workbook. This description may be from another edition of this product. ... Weight:0.60 lbs. Dimensions:0.7" x 8.6" ... Common Core Student Edition Grade 5 2014 Buy a cheap copy of Houghton Mifflin Harcourt Journeys:... book. Journeys Common Core Student Edition Grade 5 2014 Free Shipping on all orders over \$15.