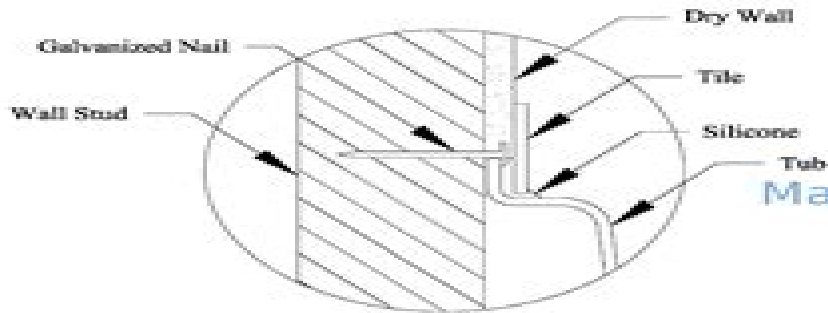
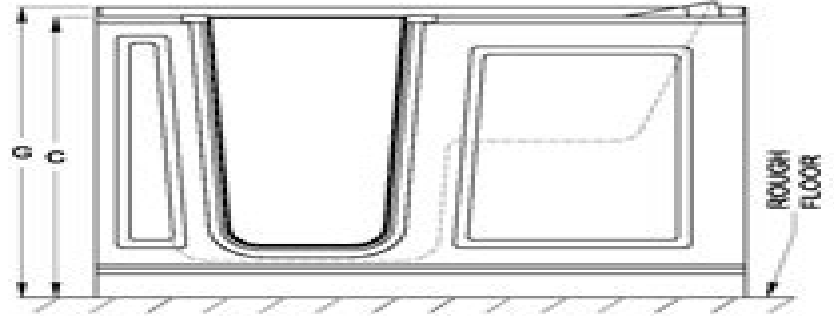
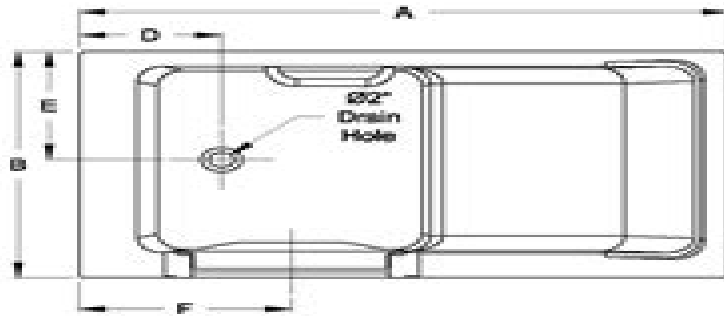
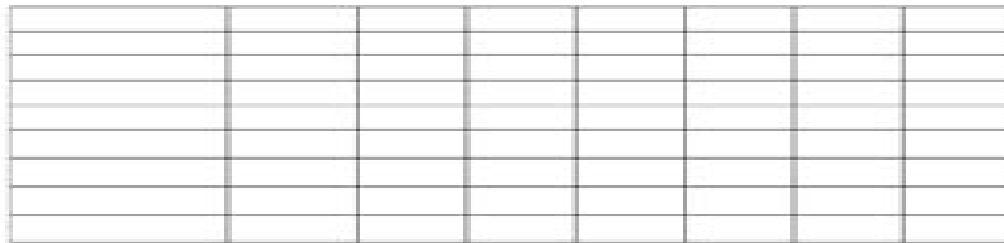
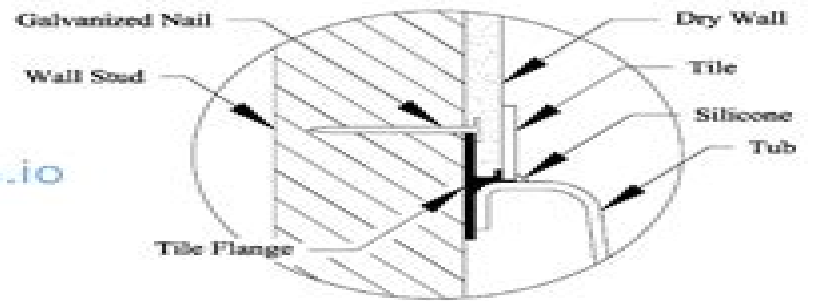


American Standard



Mans.io



Walkin Zer Owners Manual

Helming



Walkin Zer Owners Manual:

Federal Register ,1994-10 **The National Union Catalogs, 1963-** ,1964 **National Union Catalog** ,1973
Includes entries for maps and atlases *The National union catalog, 1968-1972* ,1973 **Government Reports**
Announcements & Index ,1996 **Farmers and Consumers Market Bulletin** ,1998 *2014 Volkswagen EOS Owner*
Manual Compatible with OEM Owners Manual, Factory Glovebox Book Helming,2014-07-12 *2018 Jeep Wrangler Owner*
Manual Compatible with OEM Owners Manual, Factory Glovebox Book Helming,2018-10-02 **2014 Jeep Wrangler**
Owner Manual Compatible with OEM Owners Manual, Factory Glovebox Book Helming,2014-09-23 2018 Jeep
Wrangler JL Owner Manual Compatible with OEM Owners Manual, Factory Glovebox Book Helming,2018-01-27 2015
Chrysler Town & County OEM Owner Manual Compatible with OEM Owners Manual, Factory Glovebox Book
Helming,2015-04-22 **2016 Volkswagen EOS Owner Manual Compatible with OEM Owners Manual, Factory**
Glovebox Book Helming,2016-03-26 *2011 Jeep Wrangler Owner Manual Compatible with OEM Owners Manual, Factory*
Glovebox Book Helming,2011-04-23 2021 Ford Edge Owner Manual Compatible with OEM Owners Manual, Factory
Glovebox Book Helming,2021-05-07 **2016 Volkswagen Tiguan, Owner Manual Compatible with OEM Owners**
Manual, Factory Glovebox Book Helming,2016-02-04 **2011 Volkswagen EOS Owner Manual Compatible with**
OEM Owners Manual, Factory Glovebox Book Helming,2011-02-25 **2013 Volkswagen EOS Owner Manual**
Compatible with OEM Owners Manual, Factory Glovebox Book Helming,2013-03-08 Rondo Loading... ,2007
 Owner's Manual [station Sedan] Model 6-63 Willys-Overland Motors, Inc,1948 **2016 Volkswagen Touareg**
Owner Manual Compatible with OEM Owners Manual, Factory Glovebox Book Helming,2016-07-14

Eventually, you will definitely discover a additional experience and ability by spending more cash. still when? reach you receive that you require to get those every needs when having significantly cash? Why dont you try to acquire something basic in the beginning? Thats something that will lead you to comprehend even more vis--vis the globe, experience, some places, in imitation of history, amusement, and a lot more?

It is your unquestionably own mature to comport yourself reviewing habit. among guides you could enjoy now is **Walkin Zer Owners Manual** below.

https://movement.livewellcolorado.org/public/publication/index.jsp/Ein_Lilienweiber_Brief_Aus_Lincolnshire_Gedichte_Aus_21_Jahren.pdf

Table of Contents Walkin Zer Owners Manual

1. Understanding the eBook Walkin Zer Owners Manual
 - The Rise of Digital Reading Walkin Zer Owners Manual
 - Advantages of eBooks Over Traditional Books
2. Identifying Walkin Zer Owners Manual
 - Exploring Different Genres
 - Considering Fiction vs. Non-Fiction
 - Determining Your Reading Goals
3. Choosing the Right eBook Platform
 - Popular eBook Platforms
 - Features to Look for in an Walkin Zer Owners Manual
 - User-Friendly Interface
4. Exploring eBook Recommendations from Walkin Zer Owners Manual
 - Personalized Recommendations
 - Walkin Zer Owners Manual User Reviews and Ratings
 - Walkin Zer Owners Manual and Bestseller Lists

5. Accessing Walkin Zer Owners Manual Free and Paid eBooks
 - Walkin Zer Owners Manual Public Domain eBooks
 - Walkin Zer Owners Manual eBook Subscription Services
 - Walkin Zer Owners Manual Budget-Friendly Options
6. Navigating Walkin Zer Owners Manual eBook Formats
 - ePub, PDF, MOBI, and More
 - Walkin Zer Owners Manual Compatibility with Devices
 - Walkin Zer Owners Manual Enhanced eBook Features
7. Enhancing Your Reading Experience
 - Adjustable Fonts and Text Sizes of Walkin Zer Owners Manual
 - Highlighting and Note-Taking Walkin Zer Owners Manual
 - Interactive Elements Walkin Zer Owners Manual
8. Staying Engaged with Walkin Zer Owners Manual
 - Joining Online Reading Communities
 - Participating in Virtual Book Clubs
 - Following Authors and Publishers Walkin Zer Owners Manual
9. Balancing eBooks and Physical Books Walkin Zer Owners Manual
 - Benefits of a Digital Library
 - Creating a Diverse Reading Collection Walkin Zer Owners Manual
10. Overcoming Reading Challenges
 - Dealing with Digital Eye Strain
 - Minimizing Distractions
 - Managing Screen Time
11. Cultivating a Reading Routine Walkin Zer Owners Manual
 - Setting Reading Goals Walkin Zer Owners Manual
 - Carving Out Dedicated Reading Time
12. Sourcing Reliable Information of Walkin Zer Owners Manual
 - Fact-Checking eBook Content of Walkin Zer Owners Manual
 - Distinguishing Credible Sources
13. Promoting Lifelong Learning

- Utilizing eBooks for Skill Development
 - Exploring Educational eBooks
14. Embracing eBook Trends
- Integration of Multimedia Elements
 - Interactive and Gamified eBooks

Walkin Zer Owners Manual Introduction

In this digital age, the convenience of accessing information at our fingertips has become a necessity. Whether its research papers, eBooks, or user manuals, PDF files have become the preferred format for sharing and reading documents. However, the cost associated with purchasing PDF files can sometimes be a barrier for many individuals and organizations. Thankfully, there are numerous websites and platforms that allow users to download free PDF files legally. In this article, we will explore some of the best platforms to download free PDFs. One of the most popular platforms to download free PDF files is Project Gutenberg. This online library offers over 60,000 free eBooks that are in the public domain. From classic literature to historical documents, Project Gutenberg provides a wide range of PDF files that can be downloaded and enjoyed on various devices. The website is user-friendly and allows users to search for specific titles or browse through different categories. Another reliable platform for downloading Walkin Zer Owners Manual free PDF files is Open Library. With its vast collection of over 1 million eBooks, Open Library has something for every reader. The website offers a seamless experience by providing options to borrow or download PDF files. Users simply need to create a free account to access this treasure trove of knowledge. Open Library also allows users to contribute by uploading and sharing their own PDF files, making it a collaborative platform for book enthusiasts. For those interested in academic resources, there are websites dedicated to providing free PDFs of research papers and scientific articles. One such website is Academia.edu, which allows researchers and scholars to share their work with a global audience. Users can download PDF files of research papers, theses, and dissertations covering a wide range of subjects. Academia.edu also provides a platform for discussions and networking within the academic community. When it comes to downloading Walkin Zer Owners Manual free PDF files of magazines, brochures, and catalogs, Issuu is a popular choice. This digital publishing platform hosts a vast collection of publications from around the world. Users can search for specific titles or explore various categories and genres. Issuu offers a seamless reading experience with its user-friendly interface and allows users to download PDF files for offline reading. Apart from dedicated platforms, search engines also play a crucial role in finding free PDF files. Google, for instance, has an advanced search feature that allows users to filter results by file type. By specifying the file type as "PDF," users can find websites that offer free PDF downloads on a specific topic. While downloading Walkin Zer Owners Manual free PDF files is convenient, its

important to note that copyright laws must be respected. Always ensure that the PDF files you download are legally available for free. Many authors and publishers voluntarily provide free PDF versions of their work, but its essential to be cautious and verify the authenticity of the source before downloading Walkin Zer Owners Manual. In conclusion, the internet offers numerous platforms and websites that allow users to download free PDF files legally. Whether its classic literature, research papers, or magazines, there is something for everyone. The platforms mentioned in this article, such as Project Gutenberg, Open Library, Academia.edu, and Issuu, provide access to a vast collection of PDF files. However, users should always be cautious and verify the legality of the source before downloading Walkin Zer Owners Manual any PDF files. With these platforms, the world of PDF downloads is just a click away.

FAQs About Walkin Zer Owners Manual Books

How do I know which eBook platform is the best for me? Finding the best eBook platform depends on your reading preferences and device compatibility. Research different platforms, read user reviews, and explore their features before making a choice. Are free eBooks of good quality? Yes, many reputable platforms offer high-quality free eBooks, including classics and public domain works. However, make sure to verify the source to ensure the eBook credibility. Can I read eBooks without an eReader? Absolutely! Most eBook platforms offer webbased readers or mobile apps that allow you to read eBooks on your computer, tablet, or smartphone. How do I avoid digital eye strain while reading eBooks? To prevent digital eye strain, take regular breaks, adjust the font size and background color, and ensure proper lighting while reading eBooks. What the advantage of interactive eBooks? Interactive eBooks incorporate multimedia elements, quizzes, and activities, enhancing the reader engagement and providing a more immersive learning experience. Walkin Zer Owners Manual is one of the best book in our library for free trial. We provide copy of Walkin Zer Owners Manual in digital format, so the resources that you find are reliable. There are also many Ebooks of related with Walkin Zer Owners Manual. Where to download Walkin Zer Owners Manual online for free? Are you looking for Walkin Zer Owners Manual PDF? This is definitely going to save you time and cash in something you should think about. If you trying to find then search around for online. Without a doubt there are numerous these available and many of them have the freedom. However without doubt you receive whatever you purchase. An alternate way to get ideas is always to check another Walkin Zer Owners Manual. This method for see exactly what may be included and adopt these ideas to your book. This site will almost certainly help you save time and effort, money and stress. If you are looking for free books then you really should consider finding to assist you try this. Several of Walkin Zer Owners Manual are for sale to free while some are payable. If you arent sure if the books you would like to download works with for usage along with your computer, it is possible to download free trials. The free guides make it easy for

someone to free access online library for download books to your device. You can get free download on free trial for lots of books categories. Our library is the biggest of these that have literally hundreds of thousands of different products categories represented. You will also see that there are specific sites catered to different product types or categories, brands or niches related with Walkin Zer Owners Manual. So depending on what exactly you are searching, you will be able to choose e books to suit your own need. Need to access completely for Campbell Biology Seventh Edition book? Access Ebook without any digging. And by having access to our ebook online or by storing it on your computer, you have convenient answers with Walkin Zer Owners Manual To get started finding Walkin Zer Owners Manual, you are right to find our website which has a comprehensive collection of books online. Our library is the biggest of these that have literally hundreds of thousands of different products represented. You will also see that there are specific sites catered to different categories or niches related with Walkin Zer Owners Manual So depending on what exactly you are searching, you will be able to choose ebook to suit your own need. Thank you for reading Walkin Zer Owners Manual. Maybe you have knowledge that, people have search numerous times for their favorite readings like this Walkin Zer Owners Manual, but end up in harmful downloads. Rather than reading a good book with a cup of coffee in the afternoon, instead they juggled with some harmful bugs inside their laptop. Walkin Zer Owners Manual is available in our book collection an online access to it is set as public so you can download it instantly. Our digital library spans in multiple locations, allowing you to get the most less latency time to download any of our books like this one. Merely said, Walkin Zer Owners Manual is universally compatible with any devices to read.

Find Walkin Zer Owners Manual :

[ein lilienweiber brief aus lincolnshire gedichte aus 21 jahren](#)

panasonic dmp bd79 manual

peugeot 405 service maintenance manual

[elasticity in engineering mechanics boresi solution manual](#)

[voltas ac remote manual](#)

used toyota raum manual

~~how to survive as a teen when no one understands~~

federal immigration laws and regulations 2001 edition.

~~6 hp evinrude repair manual 1988~~

manuale del diritto privato studio legale galasso

~~pe training business college 2016 bursary~~

[modern biology study guide answer key 8 1](#)

[question paper 0580 22 m j 14](#)

[safewatch quickconnect plus manual](#)

what does agricultural science paper2 gradeinclude

Walkin Zer Owners Manual :

fragenkatalog zum sportseeschifferschein und amazon de - Jun 01 2023

web fragenkatalog zum sportseeschifferschein und sporthochseeschifferschein hilfsmittel für prüfung und ausbildung zum sportsee und sporthochseeschifferschein bahrami a isbn 9783741251627 kostenloser versand für alle bücher mit versand und verkauf duch amazon

[sportseeschifferschein kosten prüfung und prüfungsfragen](#) - Jun 20 2022

web der sportseeschifferschein gilt auf der gesamten nord und ostsee dem bristolkanal der irischen und schottischen see dem mittellmeer und dem schwarzen meer sowie weltweit für küstennahe seegewässer innerhalb der 30 seemeilen zone segelschein kosten termine buchung ab oktober 2023 preise termine buchung

[ebook fragenkatalog zum sportseeschifferschein und von a](#) - Aug 23 2022

web fragenkatalog zum sportseeschifferschein und sporthochseeschifferschein isbn 978 3 7412 8629 2 online kaufen sofort download lehmanns de

fragenkatalog zum sportseeschifferschein und - Jul 02 2023

web fragenkatalog zum sportseeschifferschein und sporthochseeschifferschein bahrami a amazon sg books

[sss alle informationen zum sportseeschifferschein adac](#) - Aug 03 2023

web der sportseeschifferschein sss ist ein bootsführerschein für küstennahe seereviere alles zu voraussetzungen ausbildung und prüfung und gebühren

fragenkatalog zum sportseeschifferschein und - Oct 05 2023

web fragenkatalog zum sportseeschifferschein und sporthochseeschifferschein hilfsmittel für prüfung und ausbildung zum sportsee und sporthochseeschifferschein german edition by a bahrami orientation sutd edu sg

fragenkatalog zum sportseeschifferschein und apple books - Dec 27 2022

web der vorliegende fragenkatalog für die ausbildung und prüfung zum sportseeschifferschein und sporthochseeschifferschein stellt unerlässliches begleitmaterial sowie informationen für das lösen und beantworten von aufgaben in der theoretischen prüfung dar und ergänzt die lehrbücher sportseeschiffersche

alle prüfungsfragen im Überblick sportbootführerschein see - Jul 22 2022

web dieses prüfungs modul besteht aus 212 fragen und du musst sie alle lernen wenn du den sportbootführerschein see haben willst auf deinem fragebogen wirst du dann 23 fragen davon wiederfinden wie gewohnt hat jede frage vier vorgegebene antworten aber nur eine richtige antwort dein job ist es nur die richtige antwort anzukreuzen

Übungen und aufgaben sportseeschifferschein 22833 - Sep 23 2022

web beschreibung das buch Übungen und aufgaben sportseeschifferschein ergänzt das lehrbuch sportseeschifferschein als praktische lernhilfe insbesondere zur vorbereitung auf die theoretische prüfung der navigationsteil ist als lernprogramm aufgebaut es führt von den einzelbausteinen zu zusammenhängenden kartenaufgaben

materialsammlung links und formulare für den sportseeschifferschein - Mar 18 2022

web amtlicher fragenkatalog sportküstenschifferschein sks zur vorbereitung auf den sportseeschifferschein sss empfiehlt es sich den fragenkatalog für den sks schein durchzuarbeiten elwis de freizeitschiffahrt

fragenkatalog zum sportseeschifferschein und bod - Apr 30 2023

web oct 4 2016 der fragenkatalog für die ausbildung und prüfung zum sportseeschifferschein und sporthochseeschifferschein dient als Übungsbuch für das lösen und beantworten von aufgaben in der theoretischen prüfung und ergänzt die lehrbücher sportseeschifferschein und sporthochseeschifferschein

fragenkatalog zum sportseeschifferschein und spor book - Sep 04 2023

web fragenkatalog zum sportseeschifferschein und spor meilenbuch mar 06 2020 praktisches seemeilenbuch zum eintragen der seemeilen seetage und fahrtrouten du bist auf der suche nach einem meilenbuch um deine segeltörns festzuhalten und immer einen Überblick über deine seemeilen seetage und routen zu haben oder du

fragenkatalog zum sportseeschifferschein und google books - Feb 26 2023

web der fragenkatalog für die ausbildung und prüfung zum sportseeschifferschein und sporthochseeschifferschein dient als Übungsbuch für das lösen und beantworten von aufgaben in der theoretischen prüfung und ergänzt die lehrbücher sportseeschifferschein und sporthochseeschifferschein

fragenkatalog zum sportseeschifferschein und amazon de - Jan 28 2023

web der fragenkatalog für die ausbildung und prüfung zum sportseeschifferschein und sporthochseeschifferschein dient als Übungsbuch für das lösen und beantworten von aufgaben in der theoretischen prüfung und ergänzt die lehrbücher sportseeschifferschein und sporthochseeschifferschein

sporthochseeschifferschein shs vorbereitung zur prüfung - May 20 2022

web feb 22 2022 bei dieser teilprüfung waren wie erwartet fragen zum globalen windsystem insbesondere dem passat und tropischen wirbelstürmen zu beantworten ergebnis bei der sss prüfung vor corona erschienen wir alle um 0900 und warteten darauf aufgerufen zu werden

[fragenkatalog zum sportseeschifferschein und overdrive](#) - Oct 25 2022

web oct 4 2016 der fragenkatalog für die ausbildung und prüfung zum sportseeschifferschein und sporthochseeschifferschein dient als Übungsbuch für das lösen und beantworten von aufgaben in der theoretischen prüfung und ergänzt die lehrbücher sportseeschiffersche

free pdf download fragenkatalog zum sportseeschifferschein und spor - Apr 18 2022

web fragenkatalog zum sportseeschifferschein und spor Übungen und aufgaben zum sportseeschifferschein jun 07 2022
seemeilenbuch jan 10 2020 praktisches seemeilenbuch zum eintragen der seemeilen seetage und fahrtrouten du bist auf der suche nach einem meilenbuch um deine segeltörns festzuhalten und immer einen

fragenkatalog zum sportseeschifferschein und google play - Mar 30 2023

web fragenkatalog zum sportseeschifferschein und sporthochseeschifferschein hilfsmittel für prüfung und ausbildung zum sportsee und sporthochseeschifferschein ausgabe 4 ebook written by a bahrami read this book using google play books app on your pc android ios devices

fragenkatalog zum sportseeschifferschein und amazon com - Nov 25 2022

web sep 22 2016 der fragenkatalog für die ausbildung und prüfung zum sportseeschifferschein und sporthochseeschifferschein dient als Übungsbuch für das lösen und beantworten von aufgaben in der theoretischen prüfung und ergänzt die lehrbücher sportseeschifferschein und sporthochseeschifferschein

onlinekurs bootsführerschein alle amtlichen prüfungsfragen - Feb 14 2022

web alle prüfungsfragen zum sbf binnen sbf see bodenseeschifferpatent ubi src lrc und fkn jetzt kostenlos ausprobieren

trace adkins hot mama official music video youtube - May 17 2023

remastered in hd official music video for hot mama performed by trace adkins follow trace adkins instagram instagram com traceadkinsfacebook

hot japanese mom qphtvietnam free download borrow and - Oct 10 2022

aug 20 2015 hot japanese mom by qphtvietnam publication date 2015 08 20 topics hot japanese mom language english hot japanese mom addeddate 2015 09 22 15 47 17

mom bikini images browse 4 787 stock photos vectors and - Jan 13 2023

4 786 results for mom bikini in all view mom bikini in videos 678 00 22 4k hd search from thousands of royalty free mom bikini stock images and video for your next project download

mom takes sexy selfies for money and she loves it yahoo - Mar 15 2023

july 18 2017 0 between raising two children being a housewife and riding horses in her spare time instagrammer summers vonhesse still finds time to make an income of nearly 5 000

[the 25 best milf onlyfans with hot moms on onlyfans](#) - Sep 09 2022

oct 13 2023 1 amy lu hottest milf mistress 2 sophie dee hottest la sun worshipper 3 brandi love best michigan milf 4 shay baby hottest fantasy wife 5 ginny potter

hot mama search xnxx com - Mar 03 2022

similar searches juicy mama mama hot single milf hot mature best blonde step mom mama caliente pinay hot mama hot moma sexy mama european xxx stepmom big mama sexy

hot mama youtube - Apr 16 2023

aug 11 2015 hot mama trace adkins 484k subscribers subscribe 19k share save 1 2m views 8 years ago provided to youtube by universal music group hot mama trace more

perv mom porn videos on timekiller dot fucking com - May 05 2022

perv mom hot stepmom with massive boobs satisfies her thirst for young meat by fucking her stepson 15 min pornhub step mom caught him being

hot mama sexy moms from the gq archives gq - Jun 18 2023

may 10 2011 hot mama your discerning editors at gq have pulled together these photos of famous moms from the gq archives to celebrate what mother s day is all about the answer

[top 10 best mom onlyfans hot onlyfans mommy 2023](#) - Aug 08 2022

oct 20 2023 destini fox hot mommy onlyfans desire denise anders muscle mommy onlyfans leena wild spicy onlyfans mommy dez fraser hot mommy onlyfans babe

the brothers johnson hot mama youtube - Nov 11 2022

may 25 2015 winners is the fifth studio album by the brothers johnson released in 1981 produced by the brothers johnson george johnson lead guitar lead and backing

free hot mama porn videos xhamster - Feb 02 2022

hot mama porn videos hd 4k recommended newest best videos by rating date quality fps duration production mama hottest hot big mama japanese mama big mama mama sex

[hot mama search xvideos com](#) - Oct 30 2021

hot mama 45 919 results related searches big mama hot single milf sexy cougar fucks pinay hot mama cougar sex undefined hot mama pussy mama anal hot milf hot momma sexy

hot mama porn videos pornhub com - Jan 01 2022

watch hot mama porn videos for free here on pornhub com discover the growing collection of high quality most relevant xxx movies and clips no other sex tube is more popular and

[hot mama jhay know rvw youtube](#) - Aug 20 2023

jul 13 2019 17k 4 2m views 4 years ago rvw jhayknow please subscribe thanks more more please subscribethanksstream or purchase spotify

hot mama search xnxx com - Nov 30 2021

guy fuck hot mature wife 2m 100 27min 480p hot mama is fingered and drilled 13 9k 79 5min 720p mature mama hot and juicy 710 8k 100 9min 480p hot mama is fingered

[hot mama borderlands wiki fandom](#) - Dec 12 2022

hot mama is an effervescent sniper rifle exclusive to the commander lilith the fight for sanctuary dlc for borderlands 2 and is manufactured by jakobs it is a rare drop from lt

[sexymom photos on flickr flickr](#) - Sep 21 2023

flickr photos groups and tags related to the sexymom flickr tag

[moms gone mild reddit](#) - Jul 19 2023

r momsgonemild verified submitters only quality restrictions mild mom s taking a little time out the day to have some risqué fun

[milf onlyfans 30 best milf onlyfans to follow in 2023 with](#) - Jun 06 2022

mamamilf hottest mom 2 sophie dee best mature la girl 3 brandi love best milf film star 4 shay baby best hot wife fantasy 5 ginny potter best mom next door 6

m s mom and son scroller - Apr 04 2022

failed to load picture momsonincest m s mom and son

bokep mama kesepian ngentot dengan anaknya jambulmemek - Jul 07 2022

bokep mama kesepian ngentot dengan anaknya nonton film bokep bokep barat film bokep barat video bokep video bokep barat video ngentot barat film bokep full movie film bokep

[hot mom 2021 full cast crew mydramalist](#) - Feb 14 2023

drama hot mom country japan episodes 12 aired mar 19 2021 apr 9 2021 aired on friday original network amazon prime duration 30 min genres comedy life drama

I ombra del delitto ediz illustrata kağıt kapak amazon com tr - Sep 19 2023

arama yapmak istediğiniz kategoriye seçin

[ana sayfa cata uğur aydınlatma san tic ltd Şti](#) - Apr 02 2022

gÜvenİlİR sunduğumuz garanti şartları ile sizlere güvenilir bir hizmet sağlıyoruz

[cat ediz illustrated furlotti marco 9788896570142 ebay](#) - Aug 18 2023

apr 5 2023 find many great new used options and get the best deals for cat ediz illustrata furlotti marco at the best online prices at ebay free shipping for many products

cappuccetto rosso ediz illustrata 9788851125783 abebooks - Jan 31 2022

cappuccetto rosso ediz illustrata isbn 13 9788851125783 cappuccetto rosso ediz illustrata hardcover 0 avg rating 0 ratings by goodreads hardcover isbn 10

a cat named flame ediz illustrata ctl editor livorno ebay - Jun 16 2023

feb 16 2023 ediz illustrata ctl editor livorno at the best online prices at ebay free shipping for many products find many great new used options and get the best deals for a cat named flame

9788878742611 i draw a cat ediz illustrata pietruszka murzyn - Oct 08 2022

apr 5 2023 ediz illustrata pietruszka murzyn at the best online prices at ebay free shipping for many products find many great new used options and get the best deals for 9788878742611 i draw a cat

a cat s life ediz illustrata hardcover amazon com au - Feb 12 2023

a cat s life ediz illustrata correll gemma on amazon com au free shipping on eligible orders a cat s life ediz illustrata

kat genel ayarları - Nov 09 2022

kat için 1a 1b 1c gibi değiştir değiştir butonu tıklanarak proje ayarları diyalogu açılır istenen düzenlemeler yapılarak kat genel ayarları diyaloguna dönülür son katla aynı son katla aynı satırı işaretlenirse açılan katların yüksekliği en son açılan kat ile aynı alınır

cat ediz illustrata store1 shops widebot net - Dec 10 2022

cat ediz illustrata this is likewise one of the factors by obtaining the soft documents of this cat ediz illustrata by online you might not require more epoch to spend to go to the books start as skillfully as search for them cat ediz illustrata krausypoo combookmark file pdf cat ediz illustrata cat ediz illustrata getting the books cat ediz

3126277 3052058 de ma cat books ediz illustrata ebay - Aug 06 2022

jan 8 2023 find many great new used options and get the best deals for 3126277 3052058 de ma cat books ediz illustrata at the best online prices at ebay free shipping for many products

cat portraits of eighty eight cats one very wise zebra ediz - Jun 04 2022

title cat portraits of eighty eight cats one very wise zebra ediz illustrata tein lucasson libro pdf epub fb2 scarica created date 5 22 2020 3 28 07 pm

cat ediz illustrata - Mar 01 2022

cat ediz illustrata van fleet matthew 9788804605539 cat ediz illustrata download truyenyy com cat ediz illustrata mobi cat ediz epub la fattoria ediz illustrata con puzzle pdf la 8854402001 cats ediz illustrata liceolefilandiere cat ediz illustrata static

atcloud com cat ediz illustrata backpacker net br

cats in galleries ediz illustrata sframeli m cur ebay - Jul 17 2023

ediz illustrata sframeli m cur at the best online prices at ebay free shipping for many products find many great new used options and get the best deals for cats in galleries

cata elektrik ve aydınlatma Ürünleri tekzen com tr de - Jul 05 2022

1995 yılından beri yapı market alanında uzmanlığı ile öne çıkan tekzen kaliteli ürünleri ve uzman kadrosuyla müşterilerine benzersiz bir hizmet sunmaktadır yerli sermayeye olan güçlü bağıyla dikkat çeken tekzen İstanbul merter de açtığı ilk şubesinden bu yana yüzlerce çeşit ürüne ev sahipliği yapmaya devam etmektedir

a cat s life ediz illustrata hardcover amazon com au - May 15 2023

select the department you want to search in

cat ediz illustrata pdf read treca org - Sep 07 2022

where to download cat ediz illustrata the popular animated series simon s cat depicts and exaggerates the hilarious relationship between a man and his cat the daily escapades of this adorable pet which always involve demanding more food and his exasperated but doting owner come to life through tofield s charming and hilarious illustrations

oh say can you say what s the weather today ediz illustrata the cat - Mar 13 2023

oh say can you say what s the weather today ediz illustrata the cat in the hat s learning library de dr seuss en iberlibro com isbn 10 0007433107 isbn 13 9780007433100 harpercollins publishers 2016 tapa blanda

cat alphabet ediz illustrated costa nicoletta ebay - Apr 14 2023

aug 24 2023 find many great new used options and get the best deals for cat alphabet ediz illustrated costa nicoletta at the best online prices at ebay free shipping for many products

katalog cata uğur aydınlatma san tic ltd Şti - May 03 2022

İletişim 90 212 252 32 24 email protected bereketzade Şair ziya paşa cd no 3 34421 beyoğlu İstanbul türkiye

cat lady chronicles ediz illustrata hardcover amazon com au - Jan 11 2023

cat lady chronicles ediz illustrata lovejoy diane on amazon com au free shipping on eligible orders cat lady chronicles ediz illustrata