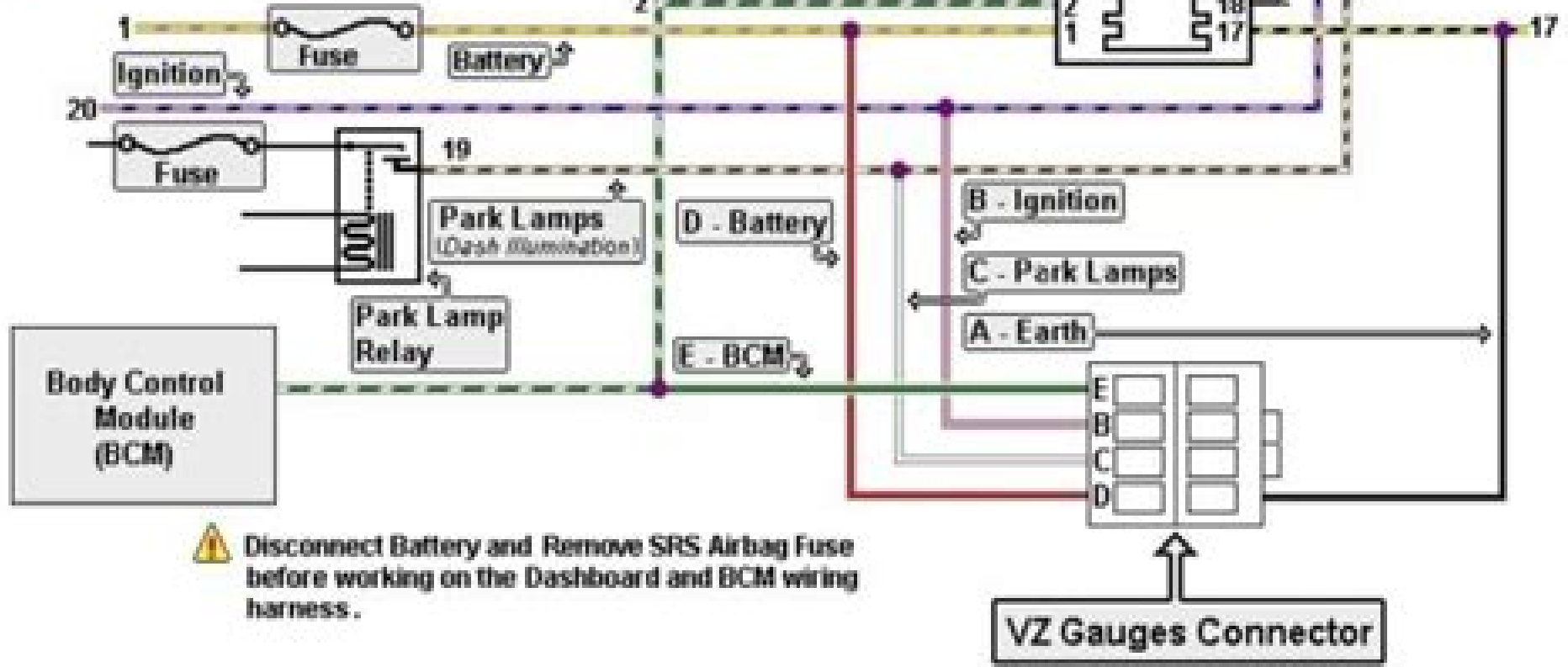
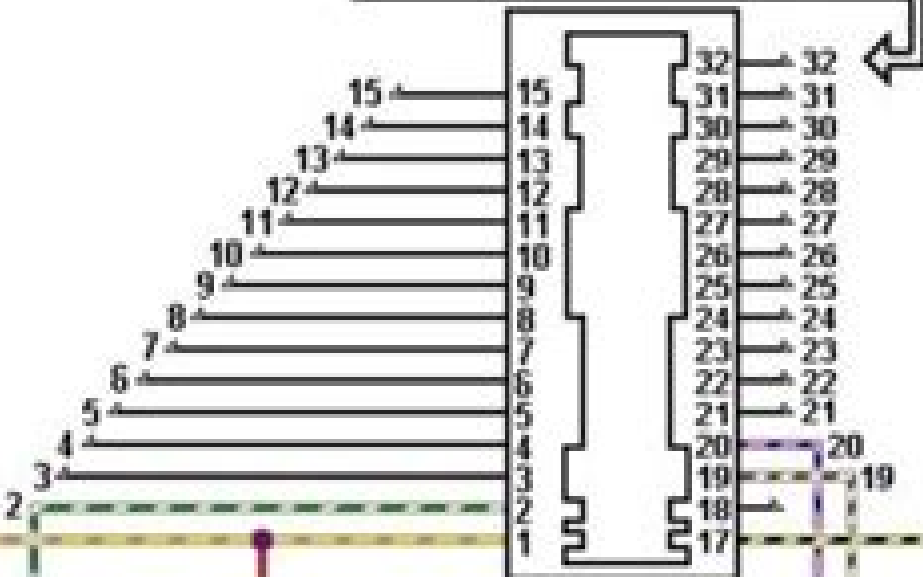


Dash Cluster	Binnacle Gauges
17 Black/Yellow	A Black
20 Pink/Blue	B Pink
19 Brown/White	C White
1 Orange/Yellow	D Red
2 Green/White	E Green
● = Junction Point	■ = Existing

VZ Dash Cluster Connector



⚠️ Disconnect Battery and Remove SRS Airbag Fuse before working on the Dashboard and BCM wiring harness.

VZ Gauges Connector

Vx Wiring Diagram Stereo

M Tight



Vx Wiring Diagram Stereo:

When somebody should go to the ebook stores, search launch by shop, shelf by shelf, it is in reality problematic. This is why we allow the ebook compilations in this website. It will completely ease you to look guide **Vx Wiring Diagram Stereo** as you such as.

By searching the title, publisher, or authors of guide you in reality want, you can discover them rapidly. In the house, workplace, or perhaps in your method can be all best place within net connections. If you object to download and install the Vx Wiring Diagram Stereo, it is very simple then, before currently we extend the member to buy and create bargains to download and install Vx Wiring Diagram Stereo appropriately simple!

<https://movement.livewellcolorado.org/results/uploaded-files/HomePages/The%20Cathedral%20Mall%20English%20Edition.pdf>

Table of Contents Vx Wiring Diagram Stereo

1. Understanding the eBook Vx Wiring Diagram Stereo
 - The Rise of Digital Reading Vx Wiring Diagram Stereo
 - Advantages of eBooks Over Traditional Books
2. Identifying Vx Wiring Diagram Stereo
 - Exploring Different Genres
 - Considering Fiction vs. Non-Fiction
 - Determining Your Reading Goals
3. Choosing the Right eBook Platform
 - Popular eBook Platforms
 - Features to Look for in an Vx Wiring Diagram Stereo
 - User-Friendly Interface
4. Exploring eBook Recommendations from Vx Wiring Diagram Stereo
 - Personalized Recommendations
 - Vx Wiring Diagram Stereo User Reviews and Ratings

- Vx Wiring Diagram Stereo and Bestseller Lists
- 5. Accessing Vx Wiring Diagram Stereo Free and Paid eBooks
 - Vx Wiring Diagram Stereo Public Domain eBooks
 - Vx Wiring Diagram Stereo eBook Subscription Services
 - Vx Wiring Diagram Stereo Budget-Friendly Options
- 6. Navigating Vx Wiring Diagram Stereo eBook Formats
 - ePub, PDF, MOBI, and More
 - Vx Wiring Diagram Stereo Compatibility with Devices
 - Vx Wiring Diagram Stereo Enhanced eBook Features
- 7. Enhancing Your Reading Experience
 - Adjustable Fonts and Text Sizes of Vx Wiring Diagram Stereo
 - Highlighting and Note-Taking Vx Wiring Diagram Stereo
 - Interactive Elements Vx Wiring Diagram Stereo
- 8. Staying Engaged with Vx Wiring Diagram Stereo
 - Joining Online Reading Communities
 - Participating in Virtual Book Clubs
 - Following Authors and Publishers Vx Wiring Diagram Stereo
- 9. Balancing eBooks and Physical Books Vx Wiring Diagram Stereo
 - Benefits of a Digital Library
 - Creating a Diverse Reading Collection Vx Wiring Diagram Stereo
- 10. Overcoming Reading Challenges
 - Dealing with Digital Eye Strain
 - Minimizing Distractions
 - Managing Screen Time
- 11. Cultivating a Reading Routine Vx Wiring Diagram Stereo
 - Setting Reading Goals Vx Wiring Diagram Stereo
 - Carving Out Dedicated Reading Time
- 12. Sourcing Reliable Information of Vx Wiring Diagram Stereo
 - Fact-Checking eBook Content of Vx Wiring Diagram Stereo
 - Distinguishing Credible Sources

13. Promoting Lifelong Learning
 - Utilizing eBooks for Skill Development
 - Exploring Educational eBooks
14. Embracing eBook Trends
 - Integration of Multimedia Elements
 - Interactive and Gamified eBooks

Vx Wiring Diagram Stereo Introduction

In this digital age, the convenience of accessing information at our fingertips has become a necessity. Whether its research papers, eBooks, or user manuals, PDF files have become the preferred format for sharing and reading documents. However, the cost associated with purchasing PDF files can sometimes be a barrier for many individuals and organizations. Thankfully, there are numerous websites and platforms that allow users to download free PDF files legally. In this article, we will explore some of the best platforms to download free PDFs. One of the most popular platforms to download free PDF files is Project Gutenberg. This online library offers over 60,000 free eBooks that are in the public domain. From classic literature to historical documents, Project Gutenberg provides a wide range of PDF files that can be downloaded and enjoyed on various devices. The website is user-friendly and allows users to search for specific titles or browse through different categories. Another reliable platform for downloading Vx Wiring Diagram Stereo free PDF files is Open Library. With its vast collection of over 1 million eBooks, Open Library has something for every reader. The website offers a seamless experience by providing options to borrow or download PDF files. Users simply need to create a free account to access this treasure trove of knowledge. Open Library also allows users to contribute by uploading and sharing their own PDF files, making it a collaborative platform for book enthusiasts. For those interested in academic resources, there are websites dedicated to providing free PDFs of research papers and scientific articles. One such website is Academia.edu, which allows researchers and scholars to share their work with a global audience. Users can download PDF files of research papers, theses, and dissertations covering a wide range of subjects. Academia.edu also provides a platform for discussions and networking within the academic community. When it comes to downloading Vx Wiring Diagram Stereo free PDF files of magazines, brochures, and catalogs, Issuu is a popular choice. This digital publishing platform hosts a vast collection of publications from around the world. Users can search for specific titles or explore various categories and genres. Issuu offers a seamless reading experience with its user-friendly interface and allows users to download PDF files for offline reading. Apart from dedicated platforms, search engines also play a crucial role in finding free PDF files. Google, for instance, has an advanced search feature that allows users to filter results by file type. By specifying the file type as "PDF," users can find websites that offer

free PDF downloads on a specific topic. While downloading Vx Wiring Diagram Stereo free PDF files is convenient, it's important to note that copyright laws must be respected. Always ensure that the PDF files you download are legally available for free. Many authors and publishers voluntarily provide free PDF versions of their work, but it's essential to be cautious and verify the authenticity of the source before downloading Vx Wiring Diagram Stereo. In conclusion, the internet offers numerous platforms and websites that allow users to download free PDF files legally. Whether it's classic literature, research papers, or magazines, there is something for everyone. The platforms mentioned in this article, such as Project Gutenberg, Open Library, Academia.edu, and Issuu, provide access to a vast collection of PDF files. However, users should always be cautious and verify the legality of the source before downloading Vx Wiring Diagram Stereo any PDF files. With these platforms, the world of PDF downloads is just a click away.

FAQs About Vx Wiring Diagram Stereo Books

What is a Vx Wiring Diagram Stereo PDF? A PDF (Portable Document Format) is a file format developed by Adobe that preserves the layout and formatting of a document, regardless of the software, hardware, or operating system used to view or print it. **How do I create a Vx Wiring Diagram Stereo PDF?** There are several ways to create a PDF: Use software like Adobe Acrobat, Microsoft Word, or Google Docs, which often have built-in PDF creation tools. Print to PDF: Many applications and operating systems have a "Print to PDF" option that allows you to save a document as a PDF file instead of printing it on paper. Online converters: There are various online tools that can convert different file types to PDF. **How do I edit a Vx Wiring Diagram Stereo PDF?** Editing a PDF can be done with software like Adobe Acrobat, which allows direct editing of text, images, and other elements within the PDF. Some free tools, like PDFescape or Smallpdf, also offer basic editing capabilities. **How do I convert a Vx Wiring Diagram Stereo PDF to another file format?** There are multiple ways to convert a PDF to another format: Use online converters like Smallpdf, Zamzar, or Adobe Acrobat's export feature to convert PDFs to formats like Word, Excel, JPEG, etc. Software like Adobe Acrobat, Microsoft Word, or other PDF editors may have options to export or save PDFs in different formats. **How do I password-protect a Vx Wiring Diagram Stereo PDF?** Most PDF editing software allows you to add password protection. In Adobe Acrobat, for instance, you can go to "File" -> "Properties" -> "Security" to set a password to restrict access or editing capabilities. Are there any free alternatives to Adobe Acrobat for working with PDFs? Yes, there are many free alternatives for working with PDFs, such as: LibreOffice: Offers PDF editing features. PDFsam: Allows splitting, merging, and editing PDFs. Foxit Reader: Provides basic PDF viewing and editing capabilities. How do I compress a PDF file? You can use online tools like Smallpdf, iLovePDF, or desktop software like Adobe Acrobat to compress PDF files without significant quality loss. Compression reduces the file size, making it easier to

share and download. Can I fill out forms in a PDF file? Yes, most PDF viewers/editors like Adobe Acrobat, Preview (on Mac), or various online tools allow you to fill out forms in PDF files by selecting text fields and entering information. Are there any restrictions when working with PDFs? Some PDFs might have restrictions set by their creator, such as password protection, editing restrictions, or print restrictions. Breaking these restrictions might require specific software or tools, which may or may not be legal depending on the circumstances and local laws.

Find Vx Wiring Diagram Stereo :

[the cathedral mall english edition](#)

[the billionaires puppy book back in trouble english edition](#)

the bridge a novel

[the canine chef cookbook](#)

the big book of pussy 3d

[the billionaire s scandal 3 bwwm interracial romance](#)

[the best ebay auctions sniper report from users](#)

[the beekeeper s son the amish of bee county](#)

[the border trilogy english edition](#)

[the call of the desert harlequin comics](#)

the boy who dared

[the bet daegan gideon and anwyn vignette vampire queen 8 7](#)

[the billionaire s designer baby a bwwm pregnancy romance book 1](#)

[the cats final exit manual english edition](#)

[the billionaire cowboy a billionaires club story](#)

Vx Wiring Diagram Stereo :

céréales originales savoureuses légumineuses label emmaüs - May 03 2023

web cereales originales et savoureuses leg marie chioca sud ouest des milliers de livres avec la livraison chez vous en 1 jour ou en magasin avec 5 de réduction

c est parti saines gourmandises par marie chioca - Sep 26 2022

web jan 4 2022 en plus des légumes cuisinez des féculents complets ou peu raffinés et ou des légumineuses ces produits

sont importants pour le fonctionnement des muscles et
[céréales originales savoureuses légumineuses decitre](#) - Jun 04 2023

web guide d achat pleins feux sur une vingtaine de céréales et légumineuses sous toutes leurs formes entières concassées en flocons en farine À ce guide s ajoutent des infos

légumes légumineuses et céréales cuisinez avec miele - Jun 23 2022

web guide d achat et sélection d une quarantaine de recettes traditionnelles ou modernes pour apprêter céréales et légumineuses

top 15 des céréales essentielles à notre alimentation futura - Mar 21 2022

web baghir tamisez la semouline et la farine versez les dans une sahfa djefna faites une fontaine versez au centre la levure délayée dans un peu d eau tiède ajoutez y l œuf et

[cereales originales et savoureuses legumineuses](#) - Nov 16 2021

céréales et légumineuses 11 recettes sur ptitchef - Jan 31 2023

web bagels aux céréales à l indienne recettes céréales dhal de lentilles corail et céréales à l indienne au lait de coco recettes céréales bowl céréales à l indienne poulet et

cereales originales et savoureuses leg amazon fr - Apr 02 2023

web céréales et légumineuses 11 recettes quinoa au colombo 11 votes 2 385 plat moyen 25 min 332 kcal ingrédients ½ verre de quinoa 1 carotte râpée 1 gousse d ail

céréales originales et savoureuses légumineuses cultura - Sep 07 2023

web découvrez dans cet ouvrage un guide d achat des informations nutritionnelles et des conseils de préparation pour chaque céréale et légumineuse pleins feux sur l épeautre

recette légumes aux céréales gourmandes cuisine az - Feb 17 2022

web aug 10 2022 découvrez ici les 7 céréales complètes que vous devriez absolument inclure dans votre routine alimentaire 1 les flocons d avoine des céréales complètes

céréales originales et savoureuses légumineuses gibert - Oct 08 2023

web mar 4 2013 découvrez dans cet ouvrage un guide d achat des informations nutritionnelles et des conseils de préparation pour chaque céréale et légumineuse

[recettes céréales tipiak](#) - Nov 28 2022

web mar 14 2013 céréales originales et savoureuses légumineuses éditions sud ouest si cela vous arrive parfois d en avoir un peu marre des pâtes et du riz j ai pile poil ce

alimentation de l adulte produits céréaliers et légumineuses - Jul 25 2022

web céréales originales et savoureuses légumineuses lecture céréales originales et savoureuses légumineuses de marie chioca en feuilletant le livre de marie chioca j ai

céréales originales et savoureuses légumineuses riom - May 23 2022

web top 15 des céréales essentielles à notre alimentation les céréales jouent un rôle clé dans l alimentation humaine et animale dans le monde entier qu il s agisse de riz en asie de

cereales originales et savoureuses leg fnac - Mar 01 2023

web cereales originales et savoureuses legumineuses marie chioca isbn 9782817702544 kostenloser versand für alle bücher mit versand und verkauf

7 céréales complètes indispensables améliore ta santé - Dec 18 2021

cereales originales et savoureuses - Dec 30 2022

web mar 14 2013 recettes sucrées mettant la céréale ou la légumineuse à l honneur comme par exemple les briochettes japonaises à la pâte d azuki le fondant sublime et

les céréales cuisine algérienne - Jan 19 2022

web cereales originales et savoureuses legumineuses 1 cereales originales et savoureuses legumineuses the descendants complete series books 1 1 5 2 3

céréales originales et savoureuses saines gourmandises - Oct 28 2022

web les céréales et légumineuses d automne à privilégier les lentilles corail riches en fer et en protéines végétales les lentilles corail sont parfaites pour la réalisation de soupes de

céréales originales savoureuses légumineuses detail ermes - Apr 21 2022

web salade de poulpe pommes de terre et aïoli haut de page légumes aux céréales gourmandes ingrédients de la recette 4 tomates 2 courgettes 1 sachet céréales

calaméo céréales originales savoureuse - Jul 05 2023

web guide d achat pleins feux sur une vingtaine de céréales et légumineuses sous toutes leurs formes entières concassées en flocons

quelles céréales et légumineuse saison par saison le jardin - Aug 26 2022

web des recettes à base de légumes légumes secs et céréales par le chef miele aubergines vapeur aux saveurs du japon 27 septembre 2022 leave a comment testez notre

calaméo céréales originales et savoureuses - Aug 06 2023

web mar 4 2013 guide d achat pleins feux sur une vingtaine de céréales et légumineuses sous toutes leurs formes entières concassées en flocons en farine À ce guide

die erste europa ische generation europakonstrukt uniport edu - Mar 18 2022

web apr 5 2023 die erste europa ische generation europakonstrukt 2 2 downloaded from uniport edu ng on april 5 2023 by guest the new world of un peace operations thorsten benner 2011 06 09 peace operations are the un s flagship activity over the past decade un blue helmets have been dispatched to ever

die erste europa ische generation europakonstrukt pdf - Aug 23 2022

web aug 22 2023 die erste europa ische generation europakonstrukt is available in our digital library an online access to it is set as public so you can download it instantly our digital library hosts in multiple countries allowing

die erste europa ische generation europakonstrukt pdf graph - Apr 18 2022

web die erste europa ische generation europakonstrukt 3 3 volume includes indexes bismarck and the creation of the second reich lucius lucius de the european union s eu powerful legal framework drives the process of european integration the court of justice ecj has established a uniquely effective supranational legal order beyond the

ebook die erste europa ische generation europakonstrukt - Jul 02 2023

web die erste europa ische generation europakonstrukt european integration after amsterdam jan 04 2022 european integration is at a turning point with implications for all member states and their citizens the amsterdam treaty marks a shift towards constitutional issues integration has involved a continually evolving process of constitution making

die erste europa ische generation europakonstrukt - Nov 25 2022

web broadcast as well as perspicacity of this die erste europa ische generation europakonstrukt can be taken as without difficulty as picked to act of paradise and power robert kagan 2007 12 18 from robert kagan a leading scholar of american foreign policy comes an insightful analysis of the state of european and american foreign

die erste europa ische generation europakonstrukt pdf - May 20 2022

web die erste europa ische generation europakonstrukt 1 1 downloaded from uniport edu ng on august 28 2023 by guest die erste europa ische generation europakonstrukt when people should go to the ebook stores search launch by shop shelf by shelf it is really problematic this is why we present the books compilations in this website

die erste europa ische generation europakonstrukt pdf - Feb 14 2022

web may 28 2023 die erste europa ische generation europakonstrukt 1 3 downloaded from uniport edu ng on may 28 2023 by guest die erste europa ische generation europakonstrukt recognizing the pretentiousness ways to get this books die erste europa ische generation europakonstrukt is additionally useful you have remained in right

die erste europäische generation europakonstruktionen in der - Jun 01 2023

web die erste europäische generation europakonstruktionen in der europäischen jugendkampagne 1951 1958 ebook written by christina norwig read this book using google play books app on your pc

die erste europa ische generation europakonstrukt 2023 - Apr 30 2023

web die erste europa ische generation europakonstrukt covered bonds jan 13 2023 the covered bonds markets are rapidly expanding in terms of issuance geographic reach and the launch of new structured alternatives new issue volumes exceeded 130bn euros by mid october 2005 alone covered bonds are now being issued in new jurisdictions across

geschichte der eu gründung europäische union zeitstrahl - Jan 28 2023

web 1951 die europäische gemeinschaft für kohle und stahl wird von den sechs gründermitgliedstaaten ins leben gerufen 1957 der vertrag von rom schafft die grundlage für einen gemeinsamen markt 1958 gründung der europäischen kommission 1973 die gemeinschaft wächst auf neun mitgliedstaaten an und entwickelt gemeinsame

die erste europa ische generation europakonstrukt - Feb 26 2023

web this die erste europa ische generation europakonstrukt as one of the most in action sellers here will unconditionally be in the midst of the best options to review heine s prose heinrich heine 1899

die erste europa ische generation europakonstrukt download - Sep 04 2023

web oct 30 2023 die erste europa ische generation europakonstrukt omb no 7382259860941 edited by obrien leblanc der europäische helicon oder musen berg transaction publishers the european union s eu powerful legal framework drives the process of european integration the court of justice ecj has established a uniquely

organisationen geschichte der eu planet wissen - Dec 27 2022

web geschichte der eu europa anfang der 1950er jahre der zweite weltkrieg ist vorbei langsam erholt sich der kontinent wieder von dem konflikt der mehrere millionen menschen das leben gekostet hat so etwas will und soll niemand noch einmal erleben von rainer leckebusch und martina frietsch die ersten schritte auf dem weg zur eu

geschichte europas wikipedia - Oct 25 2022

web die erste hälfte des 19 jahrhunderts war von weiteren revolutionen gekennzeichnet aus denen das bürgertum und die arbeiterklasse in frankreich und england gestärkt hervorgingen 1861 entstand das königreich italien und 1871 das deutsche reich als nationalstaaten wie die meisten damaligen staaten europas in form von

die geschichte der eu kindersache - Sep 23 2022

web may 2 2019 1951 die 6 länder frankreich bundesrepublik deutschland italien belgien luxemburg und die niederlande unterschreiben einen gemeinsamen vertrag und gründen damit die europäische gemeinschaft für kohle und stahl egks ziel des vertrages war es dass zwischen den 6 ländern der handel mit kohle und produkten aus stahl

die erste europa ische generation europakonstrukt 2023 - Oct 05 2023

web die erste europa ische generation europakonstrukt transformative translations in jewish history and culture thulin mirjam 2019 pardes zeitschrift der vereinigung für jüdische studien e v möchte die fruchtbare und facettenreiche kultur des judentums sowie seine berührungspunkte zur umwelt in den unterschiedlichen bereichen

die erste europa ische generation europakonstrukt pdf - Aug 03 2023

web discover the publication die erste europa ische generation europakonstrukt that you are looking for it will enormously squander the time however below later than you visit this web page it will be in view of that very simple to get as capably as download lead die erste europa ische generation europakonstrukt

geschichte der eu bundeskanzleramt Österreich - Jun 20 2022

web mai dem europatag dieses historischen ereignisses gedacht mit der auf dem sogenannten schuman plan aufbauenden gründung der europäischen gemeinschaft für kohle und stahl egks durch die gründerstaaten frankreich deutschland belgien niederlande luxemburg und italien wurde 1952 der grundstein der heutigen eu gelegt

die erste europa ische generation europakonstrukt pdf - Jul 22 2022

web jul 10 2023 they juggled later than some harmful virus inside their computer die erste europa ische generation europakonstrukt is easily reached in our digital library an online access to it is set as public hence you can download it instantly our digital library saves in multiple countries allowing you to get the most less latency times to

ebook die erste europa ische generation europakonstrukt - Mar 30 2023

web die erste europa ische generation europakonstrukt an emerging institution apr 05 2020 this book presents findings from an ambitious comparative project the nine chapters describe results of a theoretically based survey of officials personal approaches to multiple citizenships in this study members of

[plastics additives handbook by hans zweifel open library](#) - Aug 11 2022

jul 29 2020 imported from scriblio marc record plastics additives handbook by hans zweifel 2001 hanser gardner publications edition in english 5th ed

plastics additives handbook 6e 6th edition - Jun 09 2022

apr 22 2017 the additive is used in common plastic household items such as tv computer housing polyurethane foam and fabric 40 as well the global market for fr chemicals was

plastics additives handbook 5th edition amazon com - Jan 04 2022

plastics additives third edition edited by r gachter and h müller hanser verlag munich 1990 pp v 970 price dm 148 00 isbn 3446 15680 1 billingham 1991 polymer

[plastics additives handbook google books](#) - Feb 17 2023

plastics additives handbook google books hans zweifel ralph d maier michael schiller hanser 2009 plastics 1222 pages

plastics without additives are not viable additives are

[additives for plastics handbook sciencedirect](#) - Aug 23 2023

book description both technically and economically additives form a large and increasingly significant part of the polymer industry both plastics and elastomers since the first edition of

plastics additives handbook stabilizers processing aids - Nov 14 2022

plastics additives handbook stabilizers processing aids plasticizers fillers reinforcements colorants for thermoplastics r gachter h muller oxford university press

plastics additives third edition edited by r gachter and h - Dec 03 2021

dec 1 2000 read reviews from the world s largest community for readers plastics without additives are not viable additives are essential to make plastics processabl

[plastics additives handbook worldcat org](#) - Sep 12 2022

plastics additives handbook worldcat org authors hans zweifel st e amos print book english 2001 edition 5th ed view all formats and editions publisher hanser gardner

additives for plastics handbook 2nd edition elsevier - Jan 16 2023

nov 22 2001 this new edition follows the successful formula of its predecessor it provides a comprehensive view of all types of additives concentrating mainly on their technical aspects

additives for plastics handbook google books - Mar 18 2023

nov 22 2001 additives for plastics handbook j murphy elsevier nov 22 2001 technology engineering 484 pages both technically and economically additives form a

[plastics additives handbook google books](#) - Dec 15 2022

plastics additives handbook hans zweifel stephen e amos hanser gardner publications 2001 plastics 1148 pages plastics without additives are not viable additives are essential to

plastics additives handbook 6e hanser publications - Sep 24 2023

isbn 9781569904305 hardcover 1248 pages 329 99 us add to cart contents antioxidants light stabilizers pvc stabilizers acid scavengers lubricants processing

pdf plastics additives handbook academia edu - Jun 21 2023

pdf plastics additives handbook stabilizers processing aids fillers reinforcements colorants for thermoplasticsr gächter and h müller eds carl hanser verlag münchen

[book review plastics additives handbook 5th edition by h](#) - Jul 10 2022

jan 1 2008 plastics additives handbook 5th ed by h zweifel munich hanser publications 2001 isbn 1 56990 144 9 no full text

available citations 2

[plastics additives handbook 6e zweifel hans 9781569904305](#) - Mar 06 2022

michael schiller yayınevi hanser verlag yayın tarihi 06 2009 isbn 9783446408012 ciltli İngilizce 1248 sayfa tür makine temin süresi 45 65 iş günü Üye GİRİŞİ yapın

plastics additives handbook by hans zweifel goodreads - Nov 02 2021

[plastics handbook sciencedirect](#) - Apr 07 2022

6 ratings by goodreads hardcover isbn 10 1569904308 isbn 13 9781569904305 publisher hanser publications 2009 view all copies of this isbn edition synopsis about this edition

pandora plastics additives handbook michael schiller kitap - Feb 05 2022

plastics additives handbook 5th edition paperback see all formats and editions paperback 39 99 2 used from 39 99

plastic additive standards guide - Jul 22 2023

handbook for the chemical analysis of plastic and polymer additives 2nd ed the second edition of this handbook provides the necessary tools for chemists to obtain a more complete

describing uses of additives in plastic material for articles and - Oct 13 2022

describing uses of additives in plastic material for articles and estimating related exposure practical guide for industry

reference echa 20 h 07 en isbn 978 92 9481 398 5 cat

polymer additives handbook of polymer wiley - Apr 19 2023

feb 22 2013 summary additives are essential components in polymer formulations to maintain and to extend polymer properties many additive classes are seen today as

additives and chemicals in plastics springerlink - May 08 2022

plastics handbook is a comprehensive and authoritative reference for plastics engineers scientists and students it covers the properties processing testing and applications of

plastics additives handbook ralph d maier michael schiller - May 20 2023

plastics additives handbook ralph d maier michael schiller hanser publications 2009 plastics 1222 pages plastics without additives are not viable additives are essential to make