

SYLVANIA

SERVICE MANUAL

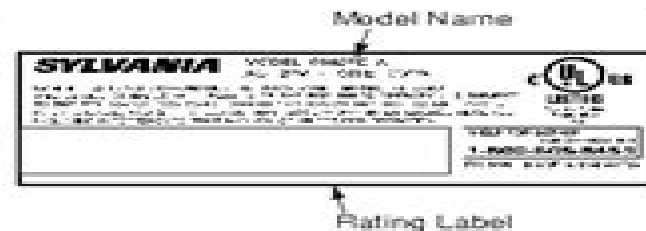
Main Section

- Specifications
- Adjustment Procedures
- Troubleshooting
- Schematic Diagrams
- CBA's
- Exploded Views
- Parts List

Plasma Display Module Section

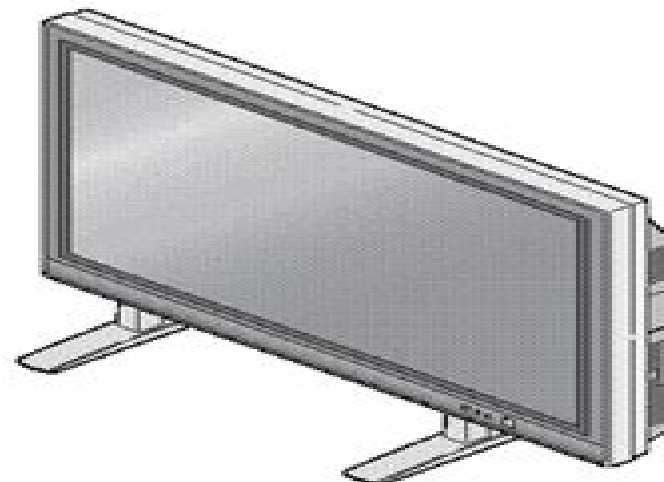
- Disassembly Procedures
- Troubleshooting
- Exploded Views
- Parts List

Model 6842PE has both an "A" version and a non "A" version. This manual applies to the "A" version of Model 6842PE, called 6842PE A on the rating label, as shown right.



PLASMA DISPLAY

6842PE ("A" version)



Sylvania 6842pe A Manual

F Rizvi



Sylvania 6842pe A Manual:

This Engaging World of E-book Books: A Comprehensive Guide Revealing the Advantages of Kindle Books: A Realm of Convenience and Versatility E-book books, with their inherent portability and simplicity of access, have liberated readers from the limitations of hardcopy books. Gone are the days of lugging cumbersome novels or carefully searching for specific titles in shops. E-book devices, sleek and portable, seamlessly store an extensive library of books, allowing readers to indulge in their favorite reads anytime, everywhere. Whether traveling on a busy train, relaxing on a sunny beach, or just cozying up in bed, Kindle books provide an exceptional level of ease. A Literary World Unfolded: Exploring the Vast Array of E-book Sylvania 6842pe A Manual Sylvania 6842pe A Manual The E-book Shop, a digital treasure trove of literary gems, boasts an wide collection of books spanning varied genres, catering to every readers taste and choice. From gripping fiction and mind-stimulating non-fiction to timeless classics and modern bestsellers, the Kindle Store offers an unparalleled abundance of titles to explore. Whether looking for escape through immersive tales of fantasy and adventure, delving into the depths of past narratives, or expanding ones understanding with insightful works of scientific and philosophy, the Kindle Store provides a doorway to a literary universe brimming with endless possibilities. A Game-changing Force in the Bookish Scene: The Persistent Impact of E-book Books Sylvania 6842pe A Manual The advent of E-book books has certainly reshaped the bookish landscape, introducing a model shift in the way books are published, distributed, and consumed. Traditional publication houses have embraced the online revolution, adapting their strategies to accommodate the growing demand for e-books. This has led to a surge in the accessibility of E-book titles, ensuring that readers have entry to a vast array of literary works at their fingertips. Moreover, E-book books have democratized entry to literature, breaking down geographical limits and offering readers worldwide with similar opportunities to engage with the written word. Irrespective of their location or socioeconomic background, individuals can now immerse themselves in the intriguing world of literature, fostering a global community of readers. Conclusion: Embracing the E-book Experience Sylvania 6842pe A Manual Kindle books Sylvania 6842pe A Manual, with their inherent ease, versatility, and vast array of titles, have undoubtedly transformed the way we experience literature. They offer readers the freedom to discover the limitless realm of written expression, whenever, anywhere. As we continue to travel the ever-evolving digital scene, E-book books stand as testament to the lasting power of storytelling, ensuring that the joy of reading remains reachable to all.

https://movement.livewellcolorado.org/About/book-search/Download_PDFS/university%20of%20eastern%20cape%20prospects%202016.pdf

Table of Contents Sylvania 6842pe A Manual

1. Understanding the eBook Sylvania 6842pe A Manual
 - The Rise of Digital Reading Sylvania 6842pe A Manual
 - Advantages of eBooks Over Traditional Books
2. Identifying Sylvania 6842pe A Manual
 - Exploring Different Genres
 - Considering Fiction vs. Non-Fiction
 - Determining Your Reading Goals
3. Choosing the Right eBook Platform
 - Popular eBook Platforms
 - Features to Look for in an Sylvania 6842pe A Manual
 - User-Friendly Interface
4. Exploring eBook Recommendations from Sylvania 6842pe A Manual
 - Personalized Recommendations
 - Sylvania 6842pe A Manual User Reviews and Ratings
 - Sylvania 6842pe A Manual and Bestseller Lists
5. Accessing Sylvania 6842pe A Manual Free and Paid eBooks
 - Sylvania 6842pe A Manual Public Domain eBooks
 - Sylvania 6842pe A Manual eBook Subscription Services
 - Sylvania 6842pe A Manual Budget-Friendly Options
6. Navigating Sylvania 6842pe A Manual eBook Formats
 - ePub, PDF, MOBI, and More
 - Sylvania 6842pe A Manual Compatibility with Devices
 - Sylvania 6842pe A Manual Enhanced eBook Features
7. Enhancing Your Reading Experience
 - Adjustable Fonts and Text Sizes of Sylvania 6842pe A Manual
 - Highlighting and Note-Taking Sylvania 6842pe A Manual
 - Interactive Elements Sylvania 6842pe A Manual
8. Staying Engaged with Sylvania 6842pe A Manual

- Joining Online Reading Communities
 - Participating in Virtual Book Clubs
 - Following Authors and Publishers Sylvania 6842pe A Manual
9. Balancing eBooks and Physical Books Sylvania 6842pe A Manual
- Benefits of a Digital Library
 - Creating a Diverse Reading Collection Sylvania 6842pe A Manual
10. Overcoming Reading Challenges
- Dealing with Digital Eye Strain
 - Minimizing Distractions
 - Managing Screen Time
11. Cultivating a Reading Routine Sylvania 6842pe A Manual
- Setting Reading Goals Sylvania 6842pe A Manual
 - Carving Out Dedicated Reading Time
12. Sourcing Reliable Information of Sylvania 6842pe A Manual
- Fact-Checking eBook Content of Sylvania 6842pe A Manual
 - Distinguishing Credible Sources
13. Promoting Lifelong Learning
- Utilizing eBooks for Skill Development
 - Exploring Educational eBooks
14. Embracing eBook Trends
- Integration of Multimedia Elements
 - Interactive and Gamified eBooks

Sylvania 6842pe A Manual Introduction

Sylvania 6842pe A Manual Offers over 60,000 free eBooks, including many classics that are in the public domain. Open Library: Provides access to over 1 million free eBooks, including classic literature and contemporary works. Sylvania 6842pe A Manual Offers a vast collection of books, some of which are available for free as PDF downloads, particularly older books in the public domain. Sylvania 6842pe A Manual : This website hosts a vast collection of scientific articles, books, and textbooks. While it operates in a legal gray area due to copyright issues, its a popular resource for finding various publications. Internet Archive for Sylvania 6842pe A Manual : Has an extensive collection of digital content, including books,

articles, videos, and more. It has a massive library of free downloadable books. Free-eBooks Sylvania 6842pe A Manual Offers a diverse range of free eBooks across various genres. Sylvania 6842pe A Manual Focuses mainly on educational books, textbooks, and business books. It offers free PDF downloads for educational purposes. Sylvania 6842pe A Manual Provides a large selection of free eBooks in different genres, which are available for download in various formats, including PDF. Finding specific Sylvania 6842pe A Manual, especially related to Sylvania 6842pe A Manual, might be challenging as theyre often artistic creations rather than practical blueprints. However, you can explore the following steps to search for or create your own Online Searches: Look for websites, forums, or blogs dedicated to Sylvania 6842pe A Manual, Sometimes enthusiasts share their designs or concepts in PDF format. Books and Magazines Some Sylvania 6842pe A Manual books or magazines might include. Look for these in online stores or libraries. Remember that while Sylvania 6842pe A Manual, sharing copyrighted material without permission is not legal. Always ensure youre either creating your own or obtaining them from legitimate sources that allow sharing and downloading. Library Check if your local library offers eBook lending services. Many libraries have digital catalogs where you can borrow Sylvania 6842pe A Manual eBooks for free, including popular titles. Online Retailers: Websites like Amazon, Google Books, or Apple Books often sell eBooks. Sometimes, authors or publishers offer promotions or free periods for certain books. Authors Website Occasionally, authors provide excerpts or short stories for free on their websites. While this might not be the Sylvania 6842pe A Manual full book , it can give you a taste of the authors writing style. Subscription Services Platforms like Kindle Unlimited or Scribd offer subscription-based access to a wide range of Sylvania 6842pe A Manual eBooks, including some popular titles.

FAQs About Sylvania 6842pe A Manual Books

How do I know which eBook platform is the best for me? Finding the best eBook platform depends on your reading preferences and device compatibility. Research different platforms, read user reviews, and explore their features before making a choice. Are free eBooks of good quality? Yes, many reputable platforms offer high-quality free eBooks, including classics and public domain works. However, make sure to verify the source to ensure the eBook credibility. Can I read eBooks without an eReader? Absolutely! Most eBook platforms offer web-based readers or mobile apps that allow you to read eBooks on your computer, tablet, or smartphone. How do I avoid digital eye strain while reading eBooks? To prevent digital eye strain, take regular breaks, adjust the font size and background color, and ensure proper lighting while reading eBooks. What the advantage of interactive eBooks? Interactive eBooks incorporate multimedia elements, quizzes, and activities, enhancing the reader engagement and providing a more immersive learning experience. Sylvania 6842pe A Manual is one of the best book in our library for free trial. We provide copy of Sylvania 6842pe A Manual in digital format, so the resources

that you find are reliable. There are also many Ebooks of related with Sylvania 6842pe A Manual. Where to download Sylvania 6842pe A Manual online for free? Are you looking for Sylvania 6842pe A Manual PDF? This is definitely going to save you time and cash in something you should think about.

Find Sylvania 6842pe A Manual :

[university of eastern cape prospectus 2016](#)

untouchable immortals after dark 8 kresley cole

unspoken english edition

[university of zambia admissions 2014](#)

universal farmliner 640 dtc operators manual

[university question paper for ooad](#)

university of fort hare prospectus fgor 2015

[unofficial guide for ethical hacking](#)

[upmsp 2015 holiday list](#)

united methodist 20printable liturgical calendar

university of sol plaatje application forms for 2016

[university of washington paper application](#)

[up madarsa vacation list 2015 16](#)

[united states history chapter 1 answer key](#)

university physics 9a solution manual

Sylvania 6842pe A Manual :

mathway solver di problemi di calcolo - Feb 08 2023

web il risolutore di problemi matematici gratuito ti aiuta con i compiti di calcolo offrendo spiegazioni passo passo

modelli matematici algebra 1 soluzioni uniport edu - Jan 27 2022

web sep 14 2023 modelli matematici algebra 1 soluzioni 2 9 downloaded from uniport edu ng on september 14 2023 by

guest elementi di algebra tensoriale con

esercizi di algebra youmath - Jul 13 2023

web esercizi di algebra a partire da questa pagina potete accedere alle raccolte di schede di esercizi di algebra correlate alle

lezioni dell omonima sezione di algebra le categorie

risolutore matematico microsoft risolutore di problemi - Mar 29 2022

web risolutore matematico online con soluzioni gratuite passo dopo passo per algebra calcolo e altri problemi matematici chiedi aiuto sul web o con la nostra app di matematica

calcolatrice algebrica microsoft math solver - Dec 06 2022

web pre algebra significato modalità digita un problema di matematica risolvi $x^9 x^9 x^2 7x^{12} 6x^2 x^2 4x^{12} 7x^2 x^4 x^2 11x^{24} 3x^3 4x^4 x^2 6x^{160} 2x^6 2$

risolvere esercizi e problemi di algebra online youmath - Apr 29 2022

web risolutore automatico i calcolatori per risolvere gli esercizi di algebra online permettono di conoscere in un click i risultati di svariati tipi di esercizi che si affrontano alle scuole

modelli matematici algebra 1 soluzioni pdf uniport edu - Feb 25 2022

web aug 2 2023 modelli matematici algebra 1 soluzioni 1 8 downloaded from uniport edu ng on august 2 2023 by guest modelli matematici algebra 1 soluzioni

modelli matematici algebra 1 soluzioni pdf uniport edu - Nov 24 2021

web jul 5 2023 modelli matematici algebra 1 soluzioni 2 7 downloaded from uniport edu ng on july 5 2023 by guest introduzione alla finanza matematica riccardo cesari 2010 05

modelli matematici algebra 1 soluzioni - Oct 24 2021

web modelli matematici algebra 1 soluzioni author veit ribbentrop from orientation sutd edu sg subject modelli matematici algebra 1 soluzioni

modelli matematici algebra 1 soluzioni - Jul 01 2022

web as this modelli matematici algebra 1 soluzioni it ends occurring beast one of the favored ebook modelli matematici algebra 1 soluzioni collections that we have this is why

risolvi microsoft math solver - Mar 09 2023

web risolutore matematico online con soluzioni gratuite passo dopo passo per algebra calcolo e altri problemi matematici chiedi aiuto sul web o con la nostra app di matematica

modelli matematici algebra 1 soluzioni uniport edu - May 31 2022

web mar 19 2023 download and install the modelli matematici algebra 1 soluzioni it is extremely easy then since currently we extend the join to purchase and create bargains

risolutore matematico microsoft risolutore di problemi - Jun 12 2023

web risolutore matematico online con soluzioni gratuite passo dopo passo per algebra calcolo e altri problemi matematici

chiedi aiuto sul web o con la nostra app di matematica

algebra i matematica khan academy - Apr 10 2023

web costruire le successioni aritmetiche slope intercept form review imparare l algebra 1 equazioni lineari funzioni polinomi scomposizione delle equazioni e altro ancora

esercizario di algebra 1 dipartimento di matematica - May 11 2023

web corso di laurea in matematica esercizario di algebra 1 autore dott francesco sasso introduzione 1 denotiamo con $f(x)$ la riduzione modulo 3 di $f(x)$ cio

13 equazioni algebriche matematicamente - Oct 04 2022

web si può applicare la formula ridottissima $x_1^2 + 3x_2 + 9 = 5x_3 + 4x_4 + 3x_5 + 2x_6$ le soluzioni sono $x_1 = 32, x_2 = 1, x_3 = 32, x_4 = 5, x_5 = 4$ relazioni fra i coefficienti e le radici di un equazione di 2 grado

modelli matematici algebra 1 soluzioni treasuredev lsacbucuresti - Dec 26 2021

web modelli matematici algebra 1 soluzioni 1 modelli matematici algebra 1 soluzioni rendiconti di matematica e delle sue applicazioni algebra e geometria modelli

modelli matematici algebra 1 soluzioni copy - Aug 02 2022

web works monster one of the favored books modelli matematici algebra 1 soluzioni collections that we have this is why you remain in the best website to look the incredible

algebra 1 uniroma1 it - Sep 03 2022

web primo esonero l esonero sul primo modulo del corso sara martedì 21 febbraio 2023 a partire dalle ore 9 in aula 3 per prenotarsi all esonero e necessario compilare il

modelli matematici algebra 1 soluzioni - Nov 05 2022

web modelli matematici algebra 1 soluzioni matematica wikipedia may 10th 2018 il linguaggio matematico può essere difficile per i principianti parole come o e solo hanno

esercizi svolti matematicamente - Sep 15 2023

web problemi di geometria e algebra equazioni problemi con i solidi esami terza media esercizi svolti di matematica per la preparazione all esame per la classe terza della

esercizi di algebra matematicaoggi - Jan 07 2023

web una pagina dedicata interamente ad esercizi di algebra divisi per argomenti e di diversi livelli di difficoltà tutto con un click

modelli matematici algebra 1 scuolabook - Aug 14 2023

web modelli matematici algebra 1 libro di testo digitale formato ebook libro digitale in formato scuolabook per la

consultazione richiede l'utilizzo delle applicazioni

class 11 chemistry chapter 12 organic chemistry byju s - Nov 11 2022

class 11 chemistry mcqs with answers are provided here for chapter 12 organic chemistry some basic principles and techniques these mcqs are based on cbse board curriculum and correspond to the most recent class 11 chemistry syllabus [mcq questions for class 11 chemistry chapter 12 organic chemistry](#) - Oct 10 2022

june 13 2023 by raju we have compiled the ncert mcq questions for class 11 chemistry chapter 12 organic chemistry some basic principles and techniques with answers pdf free download covering the entire syllabus practice mcq questions for class 11 chemistry with answers on a daily basis and score well in exams

organic chemistry mcq free pdf objective question answer - Jun 18 2023

oct 16 2023 last updated on oct 13 2023 understanding organic chemistry can be made straightforward and engaging with organic chemistry mcqs covering diverse topics like hydrocarbons functional groups and organic reactions organic chemistry mcqs offer a comprehensive overview of this significant branch of chemistry

[mcq questions for class 11 chemistry chapter 12 organic chemistry](#) - Jun 06 2022

nov 24 2020 check the below ncert mcq questions for class 11 chemistry chapter 12 organic chemistry some basic principles and techniques with answers pdf free download mcq questions for class 11 chemistry with answers

organic chemistry multiple choice questions mcq pdf quiz - Feb 02 2022

class 10 chemistry organic chemistry mcqs questions pdf download mcq as compared to its parent alkane an alkyl radical contains one a less carbon b less hydrogen c more carbon d more hydrogen mcq the rate of reaction of organic compounds is [class 11 chemistry mcq qualitative analysis of organic](#) - Jul 07 2022

class 11 chemistry mcq organic chemistry quantitative analysis class 11 chemistry mcq s block elements important compounds of calcium class 11 chemistry mcq p block elements important compounds of carbon and silicon important compounds of

[organic chemistry mcq multiple choice questions](#) - Sep 21 2023

1000 mcq on organic chemistry arranged chapterwise start practicing now for exams online tests quizzes interviews organic chemistry mcq pdf covers topics like hydrocarbons organic concepts stereochemistry organic compounds heterocyclic compounds polymerisation biomolecules

[organic chemistry quizzes questions answers proprofs](#) - Apr 16 2023

apr 24 2023 sample question suppose you encounter a chemical formula with h as the cation what do you know about this compound immediately it is probably an acid it has a 1 charge it is an ionic compound it is a base organic chemistry quiz hydrocarbons organic chemistry quiz hydrocarbons hydrocarbons

[organic chemistry questions pw physics wallah](#) - Dec 12 2022

sep 21 2022 pdf of organic chemistry questions find mcq based organic chemistry questions in pdf form for free download consist of organic chemistry questions from all chapters with answer key

organic chemistry multiple choice questions and answers - Aug 08 2022

unlock test organic chemistry multiple choice questions and answers for competitive exams these short objective type questions with answers are very important for board exams as well as competitive exams like upsc nda ssc etc these short solved questions or quizzes are provided by gkseries

[i multiple choice questions type i byju s](#) - Sep 09 2022

2 the iupac name for is 1 hydroxypentane 1 4 dione 1 4 dioxopentanol 1 carboxybutan 3 one 4 oxopentanoic acid solution option iv is the answer 3 the iupac name for 1 chloro 2 nitro 4 methylbenzene 1 chloro 4 methyl 2 nitrobenzene 2 chloro 1 nitro 5 methylbenzene m nitro p chlorotoluene solution option ii is the answer 4

multiple choice questions oxford university press - Aug 20 2023

molecular structure and shapes of organic molecules chapter 3 organic compounds their functional groups intermolecular interactions and physical properties chapter 4 conformation and strain in molecules chapter 5 conjugation electron delocalization and aromaticity chapter 6 acids and bases chapter 7

1000 multiple choice questions in organic chemistry by organic - Jul 19 2023

multiple choice questions in organic chemistry multiple choice questions usually include a phrase or stem followed by three to five options choices test strategies read the directions carefully know if you are penalized for guessing answer easy questions first answering options improve your odds think critically

organic chemistry mcqs collegedunia - Jan 13 2023

organic molecules in any state solid liquid or gaseous mainly comprise carbon or carbon atoms that can covalently link with four more carbon or hydrogen atoms or occasionally with other atoms such as nitrogen or oxygen and are primarily generated by natural processes in living creatures the best examples of organic molecules generating

inorganic chemistry questions practice questions of inorganic - Mar 03 2022

practice questions on inorganic chemistry q1 what is the chemical formula of diborane what is its structure q2 how many banana bonds are there in diborane q3 what is the hsab principle q4 what is the geometry and shape of the sf 4 molecule q5 what is the hybridization of methane click the pdf to check the answers for practice questions

organic chemistry multiple choice questions and answers - Apr 04 2022

free download in pdf organic chemistry multiple choice questions and answers for competitive exams these short objective type questions with answers are very important for board exams as well as competitive exams like upsc nda ssc etc these

short solved questions or quizzes are provided by gkseries p

[organic chemistry mcqs test your knowledge of organic](#) - May 17 2023

following are some of the multiple choice questions on the organic chemistry with answers that will help the students in developing their knowledge organic chemistry mcq 1 which two elements do all organic compounds contain bookmark report carbon and hydrogen carbon and oxygen oxygen and hydrogen carbon and nitrogen 2

organic reactions questions and answers sanfoundry - Feb 14 2023

this set of organic chemistry multiple choice questions answers mcqs focuses on organic reactions 1 identify the one which does not come under the organic addition reaction

[sample exam questions organic chemistry ocr gateway](#) - Mar 15 2023

multiple choice questions are asked as questions often starting with what is or which of these you have four options to choose from in a multiple choice question you must only

[organic chemistry neet practice questions mcqs past year questions](#) - May 05 2022

organic chemistry practice questions mcqs past year questions pyqs ncert questions question bank class 11 and class 12 questions ncert exemplar questions and pdf questions with answers solutions explanations ncert reference and difficulty level

transition mathematics ucsm - Aug 15 2023

web main goal the main goal of transition mathematics is to act as a stepping stone between the processes learned in pre transition mathematics or everyday mathematics 6 to the material presented in ucsm algebra and ucsm geometry transition mathematics incorporates applied arithmetic algebra and geometry and connects all these areas to

transition mathematics ucsm grades 6 12 by steven s - Jun 01 2022

web transition mathematics ucsm grades 6 12 by steven s viktor 2008 03 30 hardcover january 1 1800 4 7 out of 5 stars 22 ratings see all formats and editions

[transition mathematics ucsm 10 6 2023](#) - Dec 07 2022

web transition mathematics ucsm 10 6 international perspectives on the teaching and learning of geometry in secondary schools oct 30 2020 this book presents current perspectives on theoretical and empirical issues related to the teaching and learning of geometry at secondary schools it contains chapters contributing to three main areas a

ucsm grades 6 12 electronic resources ucsm - Jul 14 2023

web ucsm grades 6 12 electronic resources electronic resources to accompany ucsm texts for grades 6 12 are available as indicated by the dots in the table below ptm pre transition mathematics tm transition mathematics a algebra g geometry aa advanced algebra fst functions statistics and trigonometry pdm precalculus

free transition mathematics ucsm 10 6 cyberlab sutd edu sg - Mar 30 2022

web transition mathematics ucsm 10 6 advanced algebra aug 09 2020 basic algebra and advanced algebra systematically develop concepts and tools in algebra that are vital to every mathematician whether pure or applied aspiring or established advanced algebra includes chapters on modern algebra which treat various topics in

ucsm grades 6 12 overview ucsm university of chicago - Mar 10 2023

web intended primarily for students who are ready for a 6th grade curriculum it articulates well with everyday mathematics transition mathematics and ucsm algebra pre transition mathematics provides another excellent option for elementary and middle school mathematics teachers

ucsm grades 6 12 textbooks ucsm - May 12 2023

web ucsm grades 6 12 textbooks pre transition mathematics textbook interactive demos transition mathematics textbook interactive demos ucsm algebra textbook interactive demos ucsm geometry textbook interactive demos

transition mathematics ucsm 10 6 online kptm edu my - Apr 30 2022

web jul 28 2023 april 21st 2018 transition mathematics ucsm grades 6 12 precalculus and discrete mathematics ucsm precalculus and discrete mathematics main goal the main goal of precalculus and discrete mathematics is to integrate the online kptm edu my 6 34 10 6a lesson master april 6th 2018 transition mathematics 451 ucsm

home ucsm - Jan 08 2023

web transition mathematics grades 6 to 9 algebra grades 7 to 10 download coming soon advanced algebra grades 9 to 12 functions statistics and trigonometry implementation guide grades 11 to 12 grades 10 to 12 geometry grades 8 to 11 precalculus and discrete math try or buy click on a button to receive more information

ebook transition mathematics ucsm 10 6 - Oct 05 2022

web transition mathematics ucsm 10 6 right here we have countless books transition mathematics ucsm 10 6 and collections to check out we additionally find the money for variant types and then type of the books to browse the customary book fiction history novel scientific research as with ease as various further sorts of books

transition mathematics u c s m p grades 6 12 susan sabrio - Feb 26 2022

web mar 1 2022 yours truly alpha dante rate this book transition mathematics u c s m p grades 6 12 susan sabrio convictions j p jones a guide to building a hot rod highboy roadster pickup ron ceridono little inspiring quotes shad thompson the scientific article in the age of digitization information science and knowledge

transition mathematics ucsm 10 6 - Sep 04 2022

web recognizing the showing off ways to get this book transition mathematics ucsm 10 6 is additionally useful you have remained in right site to start getting this info get the transition mathematics ucsm 10 6 link that we present here and check out the link you could buy guide transition mathematics ucsm 10 6 or get it as soon as feasible

the university of chicago school mathematics project ucsm - Jul 02 2022

web ucsm on general mathematics and algebra outcomes this review focuses on studies of two ucsm courses that are eligible for review under the primary mathematics topic area pre transition mathematics and transition mathematics pre transition mathematics teaches arithmetic algebra geometry probability and statistics transition mathematics

pre transition mathematics ucsm - Feb 09 2023

web pre transition mathematics interactive demos lesson applet link description 1 2 fraction comparison game compare fractions using various representations if you have questions or require technical assistance please email ucsm at ucsm support lists uchicago edu contact ucsm 1427 east 60th street chicago

transition mathematics ucsm 10 6 psfnac faudiovisual com - Aug 03 2022

web april 6th 2018 transition mathematics 451 ucsm smp08 tm2 tr2 c10 433 460 451 451 6 6 07 4 25 37 pm back to lesson 10 6 answer page author monocomp psfnac faudiovisual com 1 9

transition mathematics ucsm 10 6 download only - Nov 06 2022

web transition mathematics ucsm 10 6 everyday mathematics grade 5 student math journal 1 dec 13 2019 these consumable books provide lesson support material for students to analyze and complete they provide a long term record of each student s mathematical development advanced algebra dec 25 2020

ucsm the university of chicago school mathematics project transition - Jan 28 2022

web welcome to the ucsm online student edition thanks for purchasing the all new online student edition of transition mathematics we ve partnered with a leading online publishing platform to provide your students with the latest interactive features such as the ability to access the book on virtually any device including smartphones 3

ucsm transition mathematics teaching resources volume 1 chapters 1 6 - Dec 27 2021

web the university of chicago school mathematics project transition mathematics teaching resou ucsm transition mathematics teaching resources volume 1 chapters 1 6 by the university of chicago school mathematics project goodreads

transition mathematics ucsm - Jun 13 2023

web transition mathematics interactive demos lesson applet link description 3 2 improper fractions if you have questions or require technical assistance please email ucsm at ucsm support lists uchicago edu contact ucsm 1427 east 60th street chicago il 60637 t 773 702 1130 f 773 834 4665 ucsm uchicago edu connect

pre transition mathematics ucsm - Apr 11 2023

web the goals of pre transition mathematics are to take an in depth approach to the arithmetic of rational numbers and to extend the basic ideas of algebra geometry probability and statistics for students from everyday mathematics or to introduce these basic ideas for students from non ucsm programs who may not have been previously

