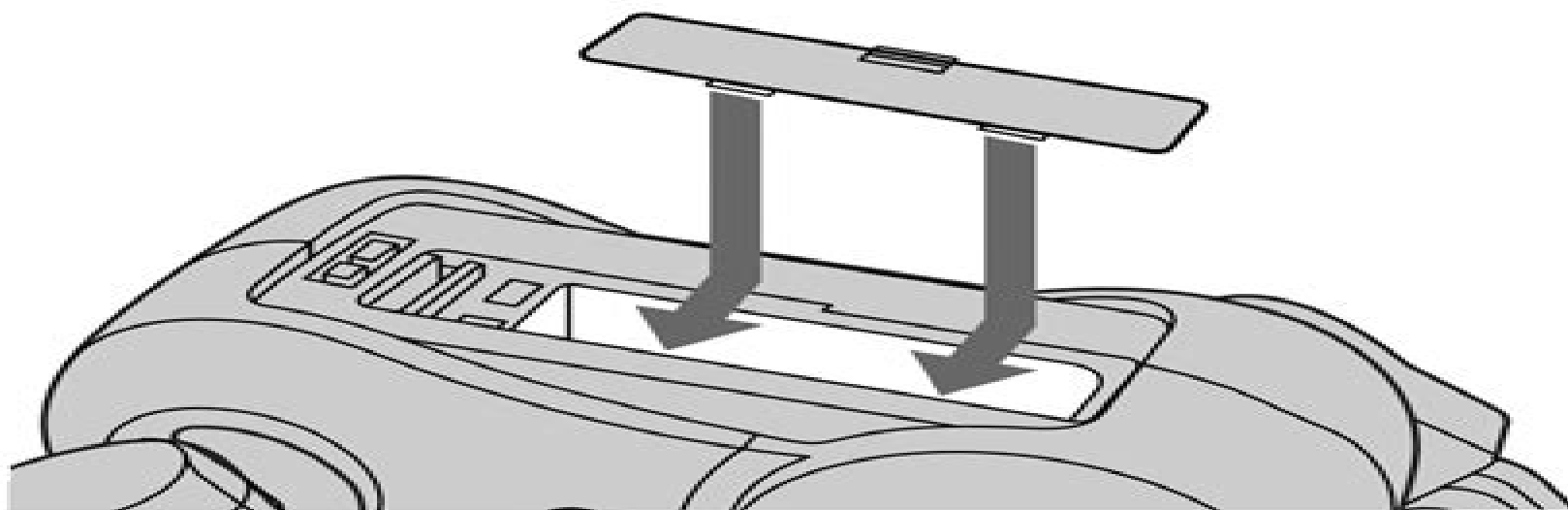


SONY®



Sony Ers 311 Owners Manual

Rob Dimery, Peter Watts



Sony Ers 311 Owners Manual:

The Enigmatic Realm of **Sony Ers 311 Owners Manual**: Unleashing the Language is Inner Magic

In a fast-paced digital era where connections and knowledge intertwine, the enigmatic realm of language reveals its inherent magic. Its capacity to stir emotions, ignite contemplation, and catalyze profound transformations is nothing lacking extraordinary. Within the captivating pages of **Sony Ers 311 Owners Manual** a literary masterpiece penned with a renowned author, readers attempt a transformative journey, unlocking the secrets and untapped potential embedded within each word. In this evaluation, we shall explore the book's core themes, assess its distinct writing style, and delve into its lasting affect the hearts and minds of those who partake in its reading experience.

<https://movement.livewellcolorado.org/results/book-search/index.jsp/snowmobile%20repair%20ski%20doo.pdf>

Table of Contents Sony Ers 311 Owners Manual

1. Understanding the eBook Sony Ers 311 Owners Manual
 - The Rise of Digital Reading Sony Ers 311 Owners Manual
 - Advantages of eBooks Over Traditional Books
2. Identifying Sony Ers 311 Owners Manual
 - Exploring Different Genres
 - Considering Fiction vs. Non-Fiction
 - Determining Your Reading Goals
3. Choosing the Right eBook Platform
 - Popular eBook Platforms
 - Features to Look for in an Sony Ers 311 Owners Manual
 - User-Friendly Interface
4. Exploring eBook Recommendations from Sony Ers 311 Owners Manual
 - Personalized Recommendations
 - Sony Ers 311 Owners Manual User Reviews and Ratings
 - Sony Ers 311 Owners Manual and Bestseller Lists

5. Accessing Sony Ers 311 Owners Manual Free and Paid eBooks
 - Sony Ers 311 Owners Manual Public Domain eBooks
 - Sony Ers 311 Owners Manual eBook Subscription Services
 - Sony Ers 311 Owners Manual Budget-Friendly Options
6. Navigating Sony Ers 311 Owners Manual eBook Formats
 - ePub, PDF, MOBI, and More
 - Sony Ers 311 Owners Manual Compatibility with Devices
 - Sony Ers 311 Owners Manual Enhanced eBook Features
7. Enhancing Your Reading Experience
 - Adjustable Fonts and Text Sizes of Sony Ers 311 Owners Manual
 - Highlighting and Note-Taking Sony Ers 311 Owners Manual
 - Interactive Elements Sony Ers 311 Owners Manual
8. Staying Engaged with Sony Ers 311 Owners Manual
 - Joining Online Reading Communities
 - Participating in Virtual Book Clubs
 - Following Authors and Publishers Sony Ers 311 Owners Manual
9. Balancing eBooks and Physical Books Sony Ers 311 Owners Manual
 - Benefits of a Digital Library
 - Creating a Diverse Reading Collection Sony Ers 311 Owners Manual
10. Overcoming Reading Challenges
 - Dealing with Digital Eye Strain
 - Minimizing Distractions
 - Managing Screen Time
11. Cultivating a Reading Routine Sony Ers 311 Owners Manual
 - Setting Reading Goals Sony Ers 311 Owners Manual
 - Carving Out Dedicated Reading Time
12. Sourcing Reliable Information of Sony Ers 311 Owners Manual
 - Fact-Checking eBook Content of Sony Ers 311 Owners Manual
 - Distinguishing Credible Sources
13. Promoting Lifelong Learning

- Utilizing eBooks for Skill Development
 - Exploring Educational eBooks
14. Embracing eBook Trends
- Integration of Multimedia Elements
 - Interactive and Gamified eBooks

Sony Ers 311 Owners Manual Introduction

In the digital age, access to information has become easier than ever before. The ability to download Sony Ers 311 Owners Manual has revolutionized the way we consume written content. Whether you are a student looking for course material, an avid reader searching for your next favorite book, or a professional seeking research papers, the option to download Sony Ers 311 Owners Manual has opened up a world of possibilities. Downloading Sony Ers 311 Owners Manual provides numerous advantages over physical copies of books and documents. Firstly, it is incredibly convenient. Gone are the days of carrying around heavy textbooks or bulky folders filled with papers. With the click of a button, you can gain immediate access to valuable resources on any device. This convenience allows for efficient studying, researching, and reading on the go. Moreover, the cost-effective nature of downloading Sony Ers 311 Owners Manual has democratized knowledge. Traditional books and academic journals can be expensive, making it difficult for individuals with limited financial resources to access information. By offering free PDF downloads, publishers and authors are enabling a wider audience to benefit from their work. This inclusivity promotes equal opportunities for learning and personal growth. There are numerous websites and platforms where individuals can download Sony Ers 311 Owners Manual. These websites range from academic databases offering research papers and journals to online libraries with an expansive collection of books from various genres. Many authors and publishers also upload their work to specific websites, granting readers access to their content without any charge. These platforms not only provide access to existing literature but also serve as an excellent platform for undiscovered authors to share their work with the world. However, it is essential to be cautious while downloading Sony Ers 311 Owners Manual. Some websites may offer pirated or illegally obtained copies of copyrighted material. Engaging in such activities not only violates copyright laws but also undermines the efforts of authors, publishers, and researchers. To ensure ethical downloading, it is advisable to utilize reputable websites that prioritize the legal distribution of content. When downloading Sony Ers 311 Owners Manual, users should also consider the potential security risks associated with online platforms. Malicious actors may exploit vulnerabilities in unprotected websites to distribute malware or steal personal information. To protect themselves, individuals should ensure their devices have reliable antivirus software installed and validate the legitimacy of the websites they are downloading from. In conclusion, the ability to download Sony Ers 311

Owners Manual has transformed the way we access information. With the convenience, cost-effectiveness, and accessibility it offers, free PDF downloads have become a popular choice for students, researchers, and book lovers worldwide. However, it is crucial to engage in ethical downloading practices and prioritize personal security when utilizing online platforms. By doing so, individuals can make the most of the vast array of free PDF resources available and embark on a journey of continuous learning and intellectual growth.

FAQs About Sony Ers 311 Owners Manual Books

How do I know which eBook platform is the best for me? Finding the best eBook platform depends on your reading preferences and device compatibility. Research different platforms, read user reviews, and explore their features before making a choice. Are free eBooks of good quality? Yes, many reputable platforms offer high-quality free eBooks, including classics and public domain works. However, make sure to verify the source to ensure the eBook credibility. Can I read eBooks without an eReader? Absolutely! Most eBook platforms offer webbased readers or mobile apps that allow you to read eBooks on your computer, tablet, or smartphone. How do I avoid digital eye strain while reading eBooks? To prevent digital eye strain, take regular breaks, adjust the font size and background color, and ensure proper lighting while reading eBooks. What the advantage of interactive eBooks? Interactive eBooks incorporate multimedia elements, quizzes, and activities, enhancing the reader engagement and providing a more immersive learning experience. Sony Ers 311 Owners Manual is one of the best book in our library for free trial. We provide copy of Sony Ers 311 Owners Manual in digital format, so the resources that you find are reliable. There are also many Ebooks of related with Sony Ers 311 Owners Manual. Where to download Sony Ers 311 Owners Manual online for free? Are you looking for Sony Ers 311 Owners Manual PDF? This is definitely going to save you time and cash in something you should think about. If you trying to find then search around for online. Without a doubt there are numerous these available and many of them have the freedom. However without doubt you receive whatever you purchase. An alternate way to get ideas is always to check another Sony Ers 311 Owners Manual. This method for see exactly what may be included and adopt these ideas to your book. This site will almost certainly help you save time and effort, money and stress. If you are looking for free books then you really should consider finding to assist you try this. Several of Sony Ers 311 Owners Manual are for sale to free while some are payable. If you arent sure if the books you would like to download works with for usage along with your computer, it is possible to download free trials. The free guides make it easy for someone to free access online library for download books to your device. You can get free download on free trial for lots of books categories. Our library is the biggest of these that have literally hundreds of thousands of different products categories represented. You will also see that there are specific sites catered to different product types or

categories, brands or niches related with Sony Ers 311 Owners Manual. So depending on what exactly you are searching, you will be able to choose e books to suit your own need. Need to access completely for Campbell Biology Seventh Edition book? Access Ebook without any digging. And by having access to our ebook online or by storing it on your computer, you have convenient answers with Sony Ers 311 Owners Manual To get started finding Sony Ers 311 Owners Manual, you are right to find our website which has a comprehensive collection of books online. Our library is the biggest of these that have literally hundreds of thousands of different products represented. You will also see that there are specific sites catered to different categories or niches related with Sony Ers 311 Owners Manual So depending on what exactly you are searching, you will be able to choose ebook to suit your own need. Thank you for reading Sony Ers 311 Owners Manual. Maybe you have knowledge that, people have search numerous times for their favorite readings like this Sony Ers 311 Owners Manual, but end up in harmful downloads. Rather than reading a good book with a cup of coffee in the afternoon, instead they juggled with some harmful bugs inside their laptop. Sony Ers 311 Owners Manual is available in our book collection an online access to it is set as public so you can download it instantly. Our digital library spans in multiple locations, allowing you to get the most less latency time to download any of our books like this one. Merely said, Sony Ers 311 Owners Manual is universally compatible with any devices to read.

Find Sony Ers 311 Owners Manual :

snowmobile repair ski doo

social science geography grade 9 final exam answers

[social work degree interview questions and answers](#)

soccer alliteration poem

socials 11 provincial essays samples

social studies cxc past papers 2008

~~softball recruiting letter to coaches~~

social studies pathways civilizations through time

social sciences caps lesson plans

social studies study guide printable

[socr maths 2013 mark scheme](#)

~~soil microbiology and sustainable crop production~~

soil science journal

snow report in big bear

sol packet for 8 grade mathematics answers

Sony Ers 311 Owners Manual :

Criminal Law (Gilbert Law Summaries) ... The topics discussed in this criminal law outline are elements of crimes (including actus reus, mens rea, and causation), vicarious liability, complicity in ... Dix and Abramson's Gilbert Law Summary on Criminal Law ... Jan 26, 2023 — The topics discussed in this criminal law outline are elements of crimes (including actus reus, mens rea, and causation), ... Marcus and Wilson's Gilbert Law Summary on Criminal ... Jun 29, 2021 — A criminal procedure outline that highlights all of the key criminal procedure decisions from the U.S. Supreme Court in an easy-to-read and ...

Gilbert Law Summaries : Criminal Law: 9780159007679 The reality is that Criminal Law class really isn't that intense. You'll cover murder, privileges, common law crimes, and perhaps some of the Model Penal Code ... Gilbert Law Summaries - Study Aids GILBERT LAW SUMMARIES ON CRIMINAL LAW (20TH, 2022) 9781685613662. \$56.15 ... GILBERT LAW SUMMARIES ON CRIMINAL PROCEDURE (20TH, 2021) 9781636590943. \$54.18. Gilbert Law Summaries: Criminal Law The topics discussed in this criminal law outline are elements of crimes (including actus reus, mens rea, and causation), vicarious liability, complicity in ... Gilbert Law Summaries: Criminal Law - George E. Dix Gilbert Law Summaries: Criminal Law by George E. Dix - ISBN 10: 0159002176 - ISBN 13: 9780159002179 - Harcourt Legal & Professional - 1997 - Softcover. List of books by author Gilbert Law Summaries High Court Case Summaries, Criminal... by Gilbert Law Summaries. \$50.02. Format ... Criminal Law and Its Processes: Cases and Materials (Casebook). Stephen J ... 9781685613662 | Gilbert Law Summary on Jan 26, 2023 — Rent textbook Gilbert Law Summary on Criminal Law(Gilbert Law Summaries) by Dix, George E. - 9781685613662. Price: \$27.09. Gilbert Law Summaries : Criminal Law - Dix, George E. Gilbert Law Summaries : Criminal Law - Dix, George E. - Paperback - Good ; Item Number. 155838190316 ; Release Year. 2001 ; Book Title. Gilbert Law Summaries : ... Graphic Design History: A Critical Guide - Amazon.com This is a really great book. It's informative, it's thorough and if you enjoy history, or even if you don't, it's interesting to read. It's especially good for ... Graphic Design History (Mysearchlab): 9780205219469 Graphic Design History, 2nd edition is a critical approach to the history of graphic design. Organized chronologically, the book demonstrates the connection to ... Graphic Design History Graphic Design History, 2nd edition is a critical approach to the history of graphic design. Organized chronologically, the book demonstrates the connection ... Graphic Design History: A Critical Guide A Fresh Look at the History of Graphic Design Graphic Design History, 2nd edition is a critical approach to the history of graphic design. Graphic design history : a critical guide - Merrimack College Graphic design history : a critical guide / Johanna Drucker, Emily Mcvarish. · ISBN: 0132410753 (alk. paper) · ISBN: 9780132410755 (alk. paper) ... Graphic Design History: A Critical Guide Graphic Design Historytraces the social and cultural role of visual communication from prehistory to the present, connecting what designers do every day to ...

Graphic design history : a critical guide From prehistory to early writing -- Classical literacy -- Medieval letterforms and book formats -- Renaissance design: standardization and modularization in ... Graphic Design History: a Critical Guide by Drucker, Johanna Graphic Design History: A Critical Guide by McVarish, Emily,Drucker, Johanna and a great selection of related books, art and collectibles available now at ... Graphic Design History: A Critical Guide Feb 1, 2008 — Graphic Design History traces the social and cultural role of visual communication from prehistory to the present, connecting what designers ... Spanish 2 Cuaderno de Vocabulario y Gramática - 1st ... Our resource for Expresate!: Spanish 2 Cuaderno de Vocabulario y Gramática includes answers to chapter exercises, as well as detailed information to walk you ... Chapter 3 Pueblos y Ciudades Vocabulary 2 Flashcards Perdón. Pardon me or Excuse me. perderse. to get lost. UXWizz Sp.2ROJO:Capitulo 3 Pueblos y Ciudades Writing activity in textbook. Read Cultura—Comparaciones on pages 96 and 97 of the text. Then complete the comprehension questions on page 97 (Para comprender & ... Holt spanish 2 answer key: Fill out & sign online Adhere to the instructions below to complete Holt spanish 2 answer key pdf online easily and quickly: Sign in to your account. Sign up with your credentials or ... Pueblo o ciudad que modelo conocí la ciudad de santo Pueblo o ciudad que MODELO Conocí la ciudad de Santo Domingo conocí Qué tuve from SPANISH spanish2 at Lake Mary High School. 1556896815.pdf deberíamos ofrecernos de volunta- rios y servir de guías... —Mira, no es mala idea... ¿Vamos a la próxima sala? -¡Adelante! ANSWERS: 1. B; 2. A; 3. C; 4. D ... Spanish 3 CVG Answers SPANISH 3 CVG Answers. All right here. Free. In Progress... Chapter 1. Chapter 2. Chapter 3 1. Los inmigrantes van ahora a pueblos y ciudades del ... Sep 20, 2019 — 2. The state provides help to immigrants in the support network ... New questions in Spanish. Read each sentence carefully and select the ...