

Hydraulic Valve

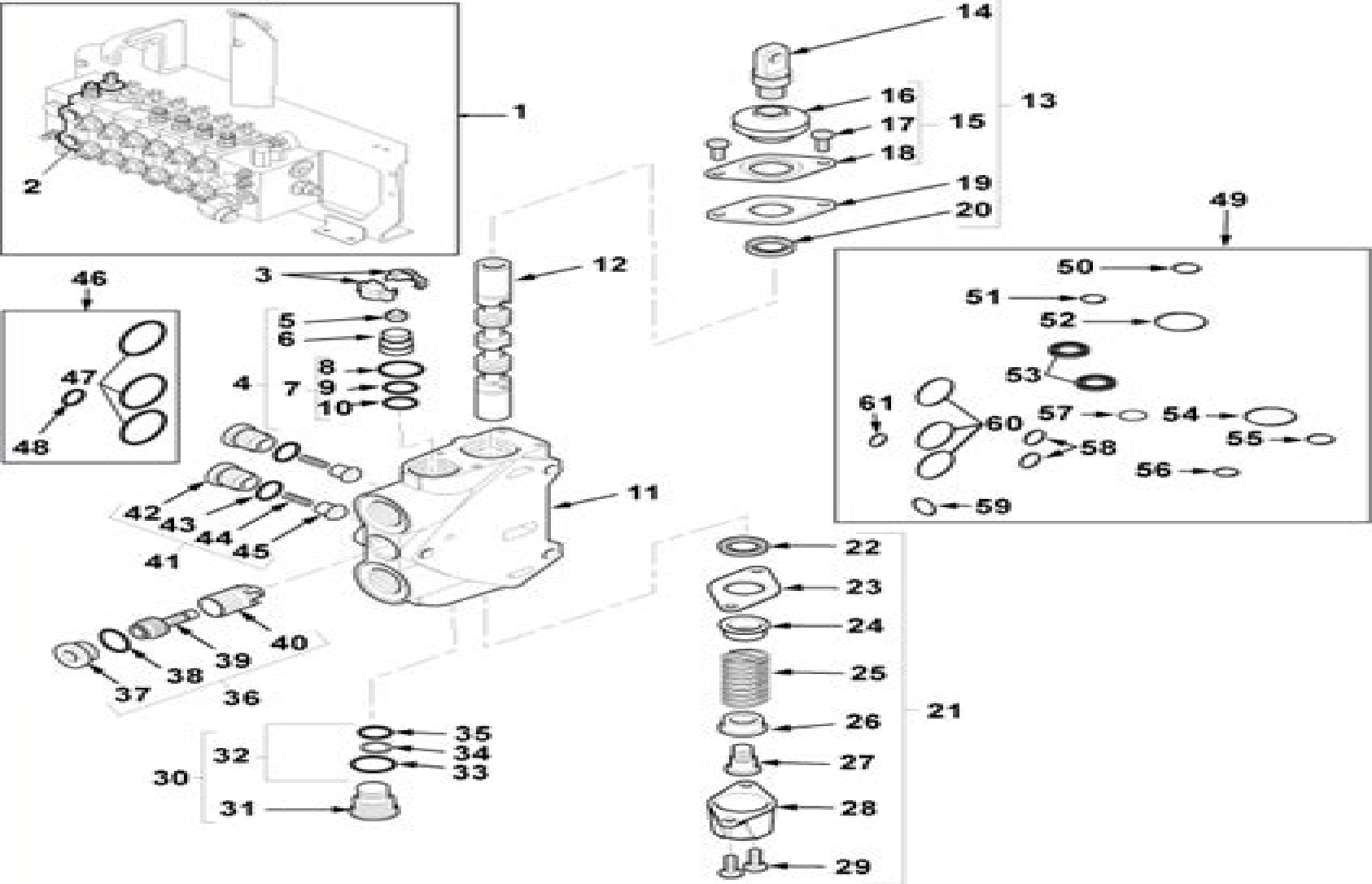
Backhoe Control

Auxiliary

Centre mounted digger

List

C-38002-08.1-A



Terex 860 Backhoe Parts Manual

S Ben Porath



Terex 860 Backhoe Parts Manual:

Whispering the Secrets of Language: An Mental Quest through **Terex 860 Backhoe Parts Manual**

In a digitally-driven earth wherever monitors reign supreme and instant transmission drowns out the subtleties of language, the profound strategies and emotional nuances hidden within words frequently move unheard. However, located within the pages of **Terex 860 Backhoe Parts Manual** a charming fictional treasure pulsating with fresh thoughts, lies a fantastic quest waiting to be undertaken. Penned by an experienced wordsmith, that wonderful opus attracts viewers on an introspective journey, softly unraveling the veiled truths and profound influence resonating within the fabric of every word. Within the mental depths of the poignant evaluation, we shall embark upon a genuine exploration of the book is primary themes, dissect its captivating writing model, and fail to the powerful resonance it evokes strong within the recesses of readers hearts.

<https://movement.livewellcolorado.org/book/publication/fetch.php/The%20Creative%20Life%20Now.pdf>

Table of Contents Terex 860 Backhoe Parts Manual

1. Understanding the eBook Terex 860 Backhoe Parts Manual
 - The Rise of Digital Reading Terex 860 Backhoe Parts Manual
 - Advantages of eBooks Over Traditional Books
2. Identifying Terex 860 Backhoe Parts Manual
 - Exploring Different Genres
 - Considering Fiction vs. Non-Fiction
 - Determining Your Reading Goals
3. Choosing the Right eBook Platform
 - Popular eBook Platforms
 - Features to Look for in an Terex 860 Backhoe Parts Manual
 - User-Friendly Interface
4. Exploring eBook Recommendations from Terex 860 Backhoe Parts Manual
 - Personalized Recommendations

- Terex 860 Backhoe Parts Manual User Reviews and Ratings
- Terex 860 Backhoe Parts Manual and Bestseller Lists
- 5. Accessing Terex 860 Backhoe Parts Manual Free and Paid eBooks
 - Terex 860 Backhoe Parts Manual Public Domain eBooks
 - Terex 860 Backhoe Parts Manual eBook Subscription Services
 - Terex 860 Backhoe Parts Manual Budget-Friendly Options
- 6. Navigating Terex 860 Backhoe Parts Manual eBook Formats
 - ePub, PDF, MOBI, and More
 - Terex 860 Backhoe Parts Manual Compatibility with Devices
 - Terex 860 Backhoe Parts Manual Enhanced eBook Features
- 7. Enhancing Your Reading Experience
 - Adjustable Fonts and Text Sizes of Terex 860 Backhoe Parts Manual
 - Highlighting and Note-Taking Terex 860 Backhoe Parts Manual
 - Interactive Elements Terex 860 Backhoe Parts Manual
- 8. Staying Engaged with Terex 860 Backhoe Parts Manual
 - Joining Online Reading Communities
 - Participating in Virtual Book Clubs
 - Following Authors and Publishers Terex 860 Backhoe Parts Manual
- 9. Balancing eBooks and Physical Books Terex 860 Backhoe Parts Manual
 - Benefits of a Digital Library
 - Creating a Diverse Reading Collection Terex 860 Backhoe Parts Manual
- 10. Overcoming Reading Challenges
 - Dealing with Digital Eye Strain
 - Minimizing Distractions
 - Managing Screen Time
- 11. Cultivating a Reading Routine Terex 860 Backhoe Parts Manual
 - Setting Reading Goals Terex 860 Backhoe Parts Manual
 - Carving Out Dedicated Reading Time
- 12. Sourcing Reliable Information of Terex 860 Backhoe Parts Manual
 - Fact-Checking eBook Content of Terex 860 Backhoe Parts Manual

- Distinguishing Credible Sources
- 13. Promoting Lifelong Learning
 - Utilizing eBooks for Skill Development
 - Exploring Educational eBooks
- 14. Embracing eBook Trends
 - Integration of Multimedia Elements
 - Interactive and Gamified eBooks

Terex 860 Backhoe Parts Manual Introduction

In this digital age, the convenience of accessing information at our fingertips has become a necessity. Whether its research papers, eBooks, or user manuals, PDF files have become the preferred format for sharing and reading documents. However, the cost associated with purchasing PDF files can sometimes be a barrier for many individuals and organizations. Thankfully, there are numerous websites and platforms that allow users to download free PDF files legally. In this article, we will explore some of the best platforms to download free PDFs. One of the most popular platforms to download free PDF files is Project Gutenberg. This online library offers over 60,000 free eBooks that are in the public domain. From classic literature to historical documents, Project Gutenberg provides a wide range of PDF files that can be downloaded and enjoyed on various devices. The website is user-friendly and allows users to search for specific titles or browse through different categories. Another reliable platform for downloading Terex 860 Backhoe Parts Manual free PDF files is Open Library. With its vast collection of over 1 million eBooks, Open Library has something for every reader. The website offers a seamless experience by providing options to borrow or download PDF files. Users simply need to create a free account to access this treasure trove of knowledge. Open Library also allows users to contribute by uploading and sharing their own PDF files, making it a collaborative platform for book enthusiasts. For those interested in academic resources, there are websites dedicated to providing free PDFs of research papers and scientific articles. One such website is Academia.edu, which allows researchers and scholars to share their work with a global audience. Users can download PDF files of research papers, theses, and dissertations covering a wide range of subjects. Academia.edu also provides a platform for discussions and networking within the academic community. When it comes to downloading Terex 860 Backhoe Parts Manual free PDF files of magazines, brochures, and catalogs, Issuu is a popular choice. This digital publishing platform hosts a vast collection of publications from around the world. Users can search for specific titles or explore various categories and genres. Issuu offers a seamless reading experience with its user-friendly interface and allows users to download PDF files for offline reading. Apart from dedicated platforms, search engines also play a crucial role in finding free PDF files. Google, for instance, has an advanced

search feature that allows users to filter results by file type. By specifying the file type as "PDF," users can find websites that offer free PDF downloads on a specific topic. While downloading Terex 860 Backhoe Parts Manual free PDF files is convenient, it's important to note that copyright laws must be respected. Always ensure that the PDF files you download are legally available for free. Many authors and publishers voluntarily provide free PDF versions of their work, but it's essential to be cautious and verify the authenticity of the source before downloading Terex 860 Backhoe Parts Manual. In conclusion, the internet offers numerous platforms and websites that allow users to download free PDF files legally. Whether it's classic literature, research papers, or magazines, there is something for everyone. The platforms mentioned in this article, such as Project Gutenberg, Open Library, Academia.edu, and Issuu, provide access to a vast collection of PDF files. However, users should always be cautious and verify the legality of the source before downloading Terex 860 Backhoe Parts Manual any PDF files. With these platforms, the world of PDF downloads is just a click away.

FAQs About Terex 860 Backhoe Parts Manual Books

How do I know which eBook platform is the best for me? Finding the best eBook platform depends on your reading preferences and device compatibility. Research different platforms, read user reviews, and explore their features before making a choice. Are free eBooks of good quality? Yes, many reputable platforms offer high-quality free eBooks, including classics and public domain works. However, make sure to verify the source to ensure the eBook credibility. Can I read eBooks without an eReader? Absolutely! Most eBook platforms offer webbased readers or mobile apps that allow you to read eBooks on your computer, tablet, or smartphone. How do I avoid digital eye strain while reading eBooks? To prevent digital eye strain, take regular breaks, adjust the font size and background color, and ensure proper lighting while reading eBooks. What the advantage of interactive eBooks? Interactive eBooks incorporate multimedia elements, quizzes, and activities, enhancing the reader engagement and providing a more immersive learning experience. Terex 860 Backhoe Parts Manual is one of the best book in our library for free trial. We provide copy of Terex 860 Backhoe Parts Manual in digital format, so the resources that you find are reliable. There are also many Ebooks of related with Terex 860 Backhoe Parts Manual. Where to download Terex 860 Backhoe Parts Manual online for free? Are you looking for Terex 860 Backhoe Parts Manual PDF? This is definitely going to save you time and cash in something you should think about. If you trying to find then search around for online. Without a doubt there are numerous these available and many of them have the freedom. However without doubt you receive whatever you purchase. An alternate way to get ideas is always to check another Terex 860 Backhoe Parts Manual. This method for see exactly what may be included and adopt these ideas to your book. This site will almost certainly help you save time and effort, money and stress. If you are looking for free books then you really should consider finding to assist you

try this. Several of Terex 860 Backhoe Parts Manual are for sale to free while some are payable. If you arent sure if the books you would like to download works with for usage along with your computer, it is possible to download free trials. The free guides make it easy for someone to free access online library for download books to your device. You can get free download on free trial for lots of books categories. Our library is the biggest of these that have literally hundreds of thousands of different products categories represented. You will also see that there are specific sites catered to different product types or categories, brands or niches related with Terex 860 Backhoe Parts Manual. So depending on what exactly you are searching, you will be able to choose e books to suit your own need. Need to access completely for Campbell Biology Seventh Edition book? Access Ebook without any digging. And by having access to our ebook online or by storing it on your computer, you have convenient answers with Terex 860 Backhoe Parts Manual To get started finding Terex 860 Backhoe Parts Manual, you are right to find our website which has a comprehensive collection of books online. Our library is the biggest of these that have literally hundreds of thousands of different products represented. You will also see that there are specific sites catered to different categories or niches related with Terex 860 Backhoe Parts Manual So depending on what exactly you are searching, you will be able to choose ebook to suit your own need. Thank you for reading Terex 860 Backhoe Parts Manual. Maybe you have knowledge that, people have search numerous times for their favorite readings like this Terex 860 Backhoe Parts Manual, but end up in harmful downloads. Rather than reading a good book with a cup of coffee in the afternoon, instead they juggled with some harmful bugs inside their laptop. Terex 860 Backhoe Parts Manual is available in our book collection an online access to it is set as public so you can download it instantly. Our digital library spans in multiple locations, allowing you to get the most less latency time to download any of our books like this one. Merely said, Terex 860 Backhoe Parts Manual is universally compatible with any devices to read.

Find Terex 860 Backhoe Parts Manual :

[the creative life now](#)

the count of monte cristo annotated

~~the dawn shops and other stories~~

the concise history of the crusades

[the crucible study guide questions act 1](#)

[the darkest night lords of the underworld book](#)

[the coachs manual xl athlete home](#)

the development of the periodic table 1970 2015

the daniel fast devotional a 21 day journey of faith

[the devil in iron](#)

the crown of ptolemy

[the deep end the country club murders volume 1](#)

[the dawn of the french renaissance](#)

the communistic societies of the united states

[the crazy christmas joke book](#)

Terex 860 Backhoe Parts Manual :

fluid mechanics fundamentals and applications pdf - Aug 18 2023

cengel and cimbala s fluid mechanics fundamentals and applications communicates directly with tomorrow s engineers in a simple yet precise manner while covering the basic principles and equations of fluid mechanics in the context of numerous and diverse real world engineering examples

formats and editions of fluid mechanics fundamentals and applications - Jan 11 2023

showing all editions for fluid mechanics fundamentals and applications sort by format all formats 95 book 8 print book 87 ebook 8 refine your search year 2018 10 2017 7 2014 11 fluid mechanics fundamentals and applications 1 fluid mechanics fundamentals and applications by yunus a Çengel john m cimbala print book

[fluid mechanics fundamentals and applications 4 cengel](#) - May 03 2022

feb 21 2017 cengel and cimbala s fluid mechanics fundamentals and applications communicates directly with tomorrow s engineers in a simple yet precise manner while covering the basic principles and equations of fluid mechanics in the context of numerous and diverse real world engineering examples

[fluid mechanics fundamentals and applications](#) - Dec 10 2022

feb 27 2017 cengel and cimbala s fluid mechanics fundamentals and applications communicates directly with tomorrow s engineers in a simple yet precise manner while covering the basic principles and equations of fluid mechanics in the context of numerous and diverse real world engineering examples the text helps students develop an intuitive understanding

fluid mechanics fundamentals and applications cengel - Jul 17 2023

cengel and cimbala s fluid mechanics fundamentals and applications communicates directly with tomorrow s engineers in a simple yet precise manner while covering the basic principles and equations of fluid mechanics in the context of numerous and diverse real world engineering examples

fluid mechanics fundamentals and applications open library - Mar 01 2022

mar 19 2023 fluid mechanics fundamentals and applications by yunus a cengel and john m cimbala 0 ratings 4 want to read

0 currently reading 0 have read this edition

fluid mechanics fundamentals and applications cengel - Jun 04 2022

cengel and cimbala s fluid mechanics fundamentals and applications communicates directly with tomorrow s engineers in a simple yet precise manner while covering the basic principles and equations of fluid mechanics in the context of numerous and diverse real world engineering examples

fluid mechanics fundamentals and applications google books - May 15 2023

jan 25 2013 cengel and cimbala s fluid mechanics fundamentals and applications communicates directly with tomorrow s engineers in a simple yet precise manner the text covers the basic principles and

fluid mechanics fundamental and application fourth edition - Sep 19 2023

nov 19 2020 fluid mechanics fundamental and application fourth edition by yunus a cengel john m cimbala publication date 2018 topics schoolbook fluids collection opensource

fluid mechanics fundamentals and applications google books - Aug 06 2022

the text covers the basic principles and equations of fluid mechanics in the context of numerous and diverse real world engineering examples helps students develop an intuitive understanding of

fluid mechanics fundamentals and applications si cengel - Jun 16 2023

cengel and cimbala s fluid mechanics fundamentals and applications communicates directly with tomorrow s engineers in a simple yet precise manner while covering the basic principles and equations of fluid mechanics in the context of numerous and diverse real world engineering examples

fluid mechanics fundamentals and applications mcgraw hill - Mar 13 2023

cengel and cimbala s fluid mechanics fundamentals and applications communicates directly with tomorrow s engineers in a simple yet precise manner while covering the basic principles and equations of fluid mechanics in the context of numerous and diverse real world engineering examples

fluid mechanics fundamentals and applications Çengel yunus - Jan 31 2022

fluid mechanics fundamentals and applications by c engel yunus a publication date 2014 topics fluid dynamics publisher new york mcgraw hill

fluid mechanics fundamentals and applications google books - Nov 09 2022

cengel and cimbala s fluid mechanics fundamentals and applications communicates directly with tomorrow s engineers in a simple yet precise manner the text covers the basic principles

fluid mechanics fundamentals and applications google books - Oct 08 2022

yunus a Çengel john m cimbala mcgraw hill education 2020 fluid dynamics 1000 pages fluid mechanics is an exciting and

fascinating subject with unlimited practical applications

fluid mechanics fundamentals and applications yunus a cengel - Jul 05 2022

jan 30 2013 fluid mechanics fundamentals and applications yunus a cengel dr john m cimbala mcgraw hill education jan 30 2013 science 1024 pages cengel and cimbala s fluid mechanics

fluid mechanics fundamentals and applications ciltli kapak - Apr 14 2023

cengel and cimbala s fluid mechanics fundamentals and applications communicates directly with tomorrow s engineers in a simple yet precise manner the text covers the basic principles and equations of fluid mechanics in the context of numerous and diverse real world engineering examples

fluid mechanics fundamentals and applications rent chegg - Sep 07 2022

feb 21 2017 rent fluid mechanics fundamentals and applications 4th edition 978 1259877827 today or search our site for other textbooks by yunus cengel every textbook comes with a 21 day any reason guarantee published by mcgraw hill higher education

fluid mechanics fundamentals and applications researchgate - Apr 02 2022

sep 11 2020 fluid mechanics fundamentals and applications september 2020 authors muhamad safi i universitas diponegoro abstract fluid mechanics is an exciting and fascinating subject with unlimited

fluid mechanics fundamentals and applications si - Feb 12 2023

jul 2 2019 cengel and cimbala s fluid mechanics fundamentals and applications communicates directly with tomorrow s engineers in a simple yet precise manner while covering the basic principles and equations of fluid mechanics in the context of numerous and diverse real world engineering examples

precision metal stamping tooling nvt technology singapore - May 06 2022

web nvt technology is a global precision engineering company headquartered in singapore and specializing in precision metal stamping tooling stamping press tooling design and fabrication precision stamping services iso 9001 2015 we have precision cnc machining capabilities including cnc wire cut edm

jis b 1044 2001 fasteners electroplated coatings ansi - Apr 17 2023

web jis b 1044 2001 fasteners electroplated coatings available for subscriptions add to alert pdf jis b 1041 1993 fasteners surface discontinuities part 1 bolts screws and studs for general requirements add to cart jis b

jsa jis b 1044 fasteners electroplated coatings globalspec - Jul 20 2023

web dec 20 2001 this japanese industrial standard specifies the characteristics of the metallic wing nuts hereafter referred to as nuts for general use this document is referenced by jis b 1184 wing bolts published by jsa on september 21 2010

jis b 1044 2001 english edition 26 20 jis standards online - Nov 12 2022

web jis b 1044 2001 fasteners electroplated coatings abstract this standard specifies dimensional requirements for electroplated fasteners of steel or copper alloy it specifies coating thicknesses and gives recommendations for hydrogen embrittlement relief for fasteners with high tensile strength or hardness and for surface hardened fasteners

jis b 1044 2001 [jis b 1044 2001 fasteners electroplated coatings](#) - Sep 22 2023

web aug 9 2021 jis b 1044 2001 [jis b 1044 2001 fasteners electroplated coatings](#) ics 25 220 25 220 40 21 21 060 01 21 060 01 [jis b 1044 2001 fasteners electroplated coatings](#)

jis b 1044 2001 techstreet - Mar 16 2023

web jis b 1044 2001 fasteners electroplated coatings standard by japanese industrial standard japanese standards association 01 01 2001 view all product details

jis b 1044 1993 fasteners electroplated coatings sai global - Dec 13 2022

web jul 1 1993 jis b 1044 1993 fasteners electroplated coatings please wait jis b 1044 1993 superseded add to watchlist fasteners electroplated coatings available format s hardcopy pdf superseded date 10 14 2020 language s english published date 07 01 1993 publisher japanese standards association abstract general product information

jis b 1044 2001 jis - Oct 11 2022

web fasteners electroplated coatings foreign standard standard by japanese industrial standard japanese standards association 01 01 2001 jis b 1044 2001

[jis b 1044 2001 pdf lastest technical information](#) - Jul 08 2022

web jis b 1044 2001 136 00 68 00 fasteners electroplated coatings foreign standard standard by japanese industrial standard japanese standards association 01 01 2001

jis b 1044 fasteners electroplated coatings ihs markit - Aug 21 2023

web oct 20 2021 description abstract jis b 1044 1st edition october 20 2021 fasteners electroplated coatings there is no abstract currently available for this document read more

jis b 1044 2001 ans in partnership with techstreet - Jan 14 2023

web jis b 1044 2001 fasteners electroplated coatings standard by japanese industrial standard japanese standards association 01 01 2001 view all product details

o rings products misumi south east asia - Sep 10 2022

web o ring jis b 2401 v series vacuum flange application s for cylindrical surface fixing and flat surface mounting o ring an 6227 aircraft o ring packing hydraulic jis b 2401 1 v for vacuum flanges jis b 2401 1 g for mounting cylindrical flat surfaces large bore o ring jaso f404 for motion cylindrical surface fixing and flat surface

[jis b 1044 2001 fasteners electroplated coatings](#) - Feb 15 2023

niveau 3ème manuel scolaire élève enseignant lelivrescolaire fr - Sep 23 2021

cours et programme de physique chimie 3ème schoolmouv - Aug 03 2022

web physique chimie 3e collection 2017 voir le manuel physique chimie cycle 4 collection 2017 voir le manuel svt 3e collection 2017 voir le manuel svt cycle 4

physique chimie cycle 4 3e livre du professeur - Aug 15 2023

web aug 18 2017 le livre du professeur contient pour chaque chapitre les corrigés des activités des tâches complexes et des exercices un récapitulatif des compétences

espace physique chimie 3e livre du professeur - Mar 10 2023

web guide de l enseignant moufid en physique chimie 3e année du collège programme marocain

physique chimie 3e prépa métiers numérique enseignant éd - Jan 28 2022

physique chimie 3e prépa pro livre professeur ed 2017 - Dec 27 2021

regaud vento physique chimie 3e livre du - Feb 09 2023

web séquence complète pour la 3ème en physique chimie sur la sécurité électrique thème 3 l énergie et ses conversions module 7 les circuits électriques chapitre 6 la sécurité

calaméo guide moufid physique chimie 3ac - Apr 30 2022

physique chimie 3e manuel numérique enseignant - Nov 25 2021

physique chimie 3e prépa pro livre élève ed 2017 - Oct 25 2021

physique chimie 3e livre du professeur belin education - Jul 14 2023

web année de la physique 2023 2024 découvrez les nombreuses actions organisées pour faire découvrir la grande diversité de métiers autour de la physique et la possibilité pour

physique chimie 3e 2017 site compagnon - Dec 07 2022

web aug 10 2022 vos élèves sont équipés de la version numérique du cahier physique chimie 3e prépa métiers avec l application educadhoc profitez de nombreuses

site enseignant physique chimie collection espace 3e - Nov 06 2022

web physique chimie 3e prépa pro livre professeur ed 2017 découvrir la collection créer une alerte un manuel conforme au nouveau programme et adapté aux élèves de

[manuel physique chimie 3e lelivrescolaire fr](#) - Jan 08 2023

web t p chimie détermination d une quantité de matière à partir d une réaction chimique dosage acido basique 3ème toutes sections 2016 2017 mr mannai houcine t p

calaméo guide de l enseignant univers physique chimie - Jun 01 2022

physique chimie manuel scolaire élève enseignant - May 12 2023

web le site compagnon du cahier d activités de physique chimie 3e 2023 lié à la collection de manuels scolaires de physique chimie édités par les éditions nathan pour le

troisième année secondaire devoirs bac tunisie devoirs - Feb 26 2022

regaud vento physique chimie 3e cahier - Apr 11 2023

web dans ce sens le programme de physique chimie en troisième année du collège permet d apprendre de nouvelles notions liées à des phénomènes physiques et chimiques se

[regaud vento manuel physique chimie 3e](#) - Oct 05 2022

web disponible le manuel papier enrichi de nombreuses ressources multimédia multisupport à télécharger ou consulter sur ordinateur tablette ou smartphone lire la suite démo

physique chimie éducol ministère de l Éducation nationale et - Sep 04 2022

web christian raynal ean 9782012406926 pages 160 code hachette 7311358 format 210 x 290 mm poids 464 g arrêt de commercialisation cet article n est plus disponible

cahier de physique chimie 3e 2023 Éditions nathan - Jul 02 2022