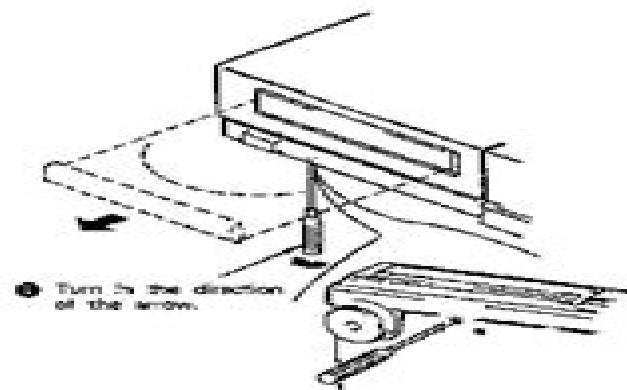


## TABLE OF CONTENTS

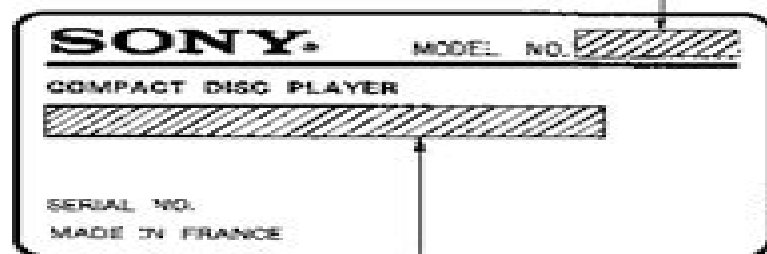
Section	Title	Page
<b>SECTION 1. GENERAL</b>		
1-1.	Location and Function of Controls	4
<b>SECTION 2. DISASSEMBLY</b>		
<b>SECTION 3. ELECTRICAL ADJUSTMENTS</b>		
<b>SECTION 4. DIAGRAMS</b>		
4-1.	Printed Wiring Boards	8
4-2.	Schematic Diagram	11
4-3.	IC Block Diagram	15
<b>SECTION 5. EXPLODED VIEWS</b>		
<b>SECTION 6. ELECTRICAL PARTS LIST</b>		
<b>SUPPLEMENT-1</b>		

HOW TO OPEN THE DISC TRAY WHEN  
POWER SWITCH TURNS OFF

Caution: When you work, keep the unit horizontal.

## MODEL IDENTIFICATION

—Specification Labels—



AEP model : AC 220V~50/60Hz  
UK model : AC 240V~50/60Hz

NOTES ON HANDLING THE OPTICAL PICK-UP  
BLOCK OR BASE UNIT

The laser diode in the optical pick-up block may suffer electrostatic breakdown because of the potential difference generated by the charged electrostatic load, etc. on clothing and the human body. During repair, pay attention to electrostatic breakdown and also use the procedure in the printed matter which is included in the repair parts. The flexible board is easily damaged and should be handled with care.

## NOTES ON LASER DIODE EMISSION CHECK

The laser beam of this model is concentrated so as to be focused on the disc reflective surface by the objective lens in the optical pick-up block. Therefore, when checking the laser diode emission, observe more than 25 cm away from the objective lens.

## SAFETY-RELATED COMPONENT WARNING!!

COMPONENTS IDENTIFIED BY MARK  $\Delta$  OR DOTTED LINE WITH MARK  $\Delta$  ON THE SCHEMATIC DIAGRAMS AND IN THE PARTS LIST ARE CRITICAL TO SAFE OPERATION. REPLACE THESE COMPONENTS WITH SONY PARTS WHOSE PART NUMBERS APPEAR AS SHOWN IN THIS MANUAL OR IN SUPPLEMENTS PUBLISHED BY SONY.

# Sony Cdp M18 M19 M39 Repair Manual

**Tobias Bleicker**



## **Sony Cdp M18 M19 M39 Repair Manual:**

Ignite the flame of optimism with its motivational masterpiece, **Sony Cdp M18 M19 M39 Repair Manual** . In a downloadable PDF format ( \*), this ebook is a beacon of encouragement. Download now and let the words propel you towards a brighter, more motivated tomorrow.

[https://movement.livewellcolorado.org/public/Resources/index.jsp/snapper\\_quantum\\_xm\\_manual.pdf](https://movement.livewellcolorado.org/public/Resources/index.jsp/snapper_quantum_xm_manual.pdf)

## **Table of Contents Sony Cdp M18 M19 M39 Repair Manual**

1. Understanding the eBook Sony Cdp M18 M19 M39 Repair Manual
  - The Rise of Digital Reading Sony Cdp M18 M19 M39 Repair Manual
  - Advantages of eBooks Over Traditional Books
2. Identifying Sony Cdp M18 M19 M39 Repair Manual
  - Exploring Different Genres
  - Considering Fiction vs. Non-Fiction
  - Determining Your Reading Goals
3. Choosing the Right eBook Platform
  - Popular eBook Platforms
  - Features to Look for in an Sony Cdp M18 M19 M39 Repair Manual
  - User-Friendly Interface
4. Exploring eBook Recommendations from Sony Cdp M18 M19 M39 Repair Manual
  - Personalized Recommendations
  - Sony Cdp M18 M19 M39 Repair Manual User Reviews and Ratings
  - Sony Cdp M18 M19 M39 Repair Manual and Bestseller Lists
5. Accessing Sony Cdp M18 M19 M39 Repair Manual Free and Paid eBooks
  - Sony Cdp M18 M19 M39 Repair Manual Public Domain eBooks
  - Sony Cdp M18 M19 M39 Repair Manual eBook Subscription Services
  - Sony Cdp M18 M19 M39 Repair Manual Budget-Friendly Options
6. Navigating Sony Cdp M18 M19 M39 Repair Manual eBook Formats

- ePub, PDF, MOBI, and More
  - Sony Cdp M18 M19 M39 Repair Manual Compatibility with Devices
  - Sony Cdp M18 M19 M39 Repair Manual Enhanced eBook Features
7. Enhancing Your Reading Experience
    - Adjustable Fonts and Text Sizes of Sony Cdp M18 M19 M39 Repair Manual
    - Highlighting and Note-Taking Sony Cdp M18 M19 M39 Repair Manual
    - Interactive Elements Sony Cdp M18 M19 M39 Repair Manual
  8. Staying Engaged with Sony Cdp M18 M19 M39 Repair Manual
    - Joining Online Reading Communities
    - Participating in Virtual Book Clubs
    - Following Authors and Publishers Sony Cdp M18 M19 M39 Repair Manual
  9. Balancing eBooks and Physical Books Sony Cdp M18 M19 M39 Repair Manual
    - Benefits of a Digital Library
    - Creating a Diverse Reading Collection Sony Cdp M18 M19 M39 Repair Manual
  10. Overcoming Reading Challenges
    - Dealing with Digital Eye Strain
    - Minimizing Distractions
    - Managing Screen Time
  11. Cultivating a Reading Routine Sony Cdp M18 M19 M39 Repair Manual
    - Setting Reading Goals Sony Cdp M18 M19 M39 Repair Manual
    - Carving Out Dedicated Reading Time
  12. Sourcing Reliable Information of Sony Cdp M18 M19 M39 Repair Manual
    - Fact-Checking eBook Content of Sony Cdp M18 M19 M39 Repair Manual
    - Distinguishing Credible Sources
  13. Promoting Lifelong Learning
    - Utilizing eBooks for Skill Development
    - Exploring Educational eBooks
  14. Embracing eBook Trends
    - Integration of Multimedia Elements
    - Interactive and Gamified eBooks

## Sony Cdp M18 M19 M39 Repair Manual Introduction

Free PDF Books and Manuals for Download: Unlocking Knowledge at Your Fingertips In today's fast-paced digital age, obtaining valuable knowledge has become easier than ever. Thanks to the internet, a vast array of books and manuals are now available for free download in PDF format. Whether you are a student, professional, or simply an avid reader, this treasure trove of downloadable resources offers a wealth of information, conveniently accessible anytime, anywhere. The advent of online libraries and platforms dedicated to sharing knowledge has revolutionized the way we consume information. No longer confined to physical libraries or bookstores, readers can now access an extensive collection of digital books and manuals with just a few clicks. These resources, available in PDF, Microsoft Word, and PowerPoint formats, cater to a wide range of interests, including literature, technology, science, history, and much more. One notable platform where you can explore and download free Sony Cdp M18 M19 M39 Repair Manual PDF books and manuals is the internet's largest free library. Hosted online, this catalog compiles a vast assortment of documents, making it a veritable goldmine of knowledge. With its easy-to-use website interface and customizable PDF generator, this platform offers a user-friendly experience, allowing individuals to effortlessly navigate and access the information they seek. The availability of free PDF books and manuals on this platform demonstrates its commitment to democratizing education and empowering individuals with the tools needed to succeed in their chosen fields. It allows anyone, regardless of their background or financial limitations, to expand their horizons and gain insights from experts in various disciplines. One of the most significant advantages of downloading PDF books and manuals lies in their portability. Unlike physical copies, digital books can be stored and carried on a single device, such as a tablet or smartphone, saving valuable space and weight. This convenience makes it possible for readers to have their entire library at their fingertips, whether they are commuting, traveling, or simply enjoying a lazy afternoon at home. Additionally, digital files are easily searchable, enabling readers to locate specific information within seconds. With a few keystrokes, users can search for keywords, topics, or phrases, making research and finding relevant information a breeze. This efficiency saves time and effort, streamlining the learning process and allowing individuals to focus on extracting the information they need. Furthermore, the availability of free PDF books and manuals fosters a culture of continuous learning. By removing financial barriers, more people can access educational resources and pursue lifelong learning, contributing to personal growth and professional development. This democratization of knowledge promotes intellectual curiosity and empowers individuals to become lifelong learners, promoting progress and innovation in various fields. It is worth noting that while accessing free Sony Cdp M18 M19 M39 Repair Manual PDF books and manuals is convenient and cost-effective, it is vital to respect copyright laws and intellectual property rights. Platforms offering free downloads often operate within legal boundaries, ensuring that the materials they provide are either in the public domain or authorized for distribution. By adhering to copyright laws, users can enjoy the benefits of free access to knowledge while

supporting the authors and publishers who make these resources available. In conclusion, the availability of Sony Cdp M18 M19 M39 Repair Manual free PDF books and manuals for download has revolutionized the way we access and consume knowledge. With just a few clicks, individuals can explore a vast collection of resources across different disciplines, all free of charge. This accessibility empowers individuals to become lifelong learners, contributing to personal growth, professional development, and the advancement of society as a whole. So why not unlock a world of knowledge today? Start exploring the vast sea of free PDF books and manuals waiting to be discovered right at your fingertips.

### **FAQs About Sony Cdp M18 M19 M39 Repair Manual Books**

How do I know which eBook platform is the best for me? Finding the best eBook platform depends on your reading preferences and device compatibility. Research different platforms, read user reviews, and explore their features before making a choice. Are free eBooks of good quality? Yes, many reputable platforms offer high-quality free eBooks, including classics and public domain works. However, make sure to verify the source to ensure the eBook credibility. Can I read eBooks without an eReader? Absolutely! Most eBook platforms offer web-based readers or mobile apps that allow you to read eBooks on your computer, tablet, or smartphone. How do I avoid digital eye strain while reading eBooks? To prevent digital eye strain, take regular breaks, adjust the font size and background color, and ensure proper lighting while reading eBooks. What the advantage of interactive eBooks? Interactive eBooks incorporate multimedia elements, quizzes, and activities, enhancing the reader engagement and providing a more immersive learning experience. Sony Cdp M18 M19 M39 Repair Manual is one of the best book in our library for free trial. We provide copy of Sony Cdp M18 M19 M39 Repair Manual in digital format, so the resources that you find are reliable. There are also many Ebooks of related with Sony Cdp M18 M19 M39 Repair Manual. Where to download Sony Cdp M18 M19 M39 Repair Manual online for free? Are you looking for Sony Cdp M18 M19 M39 Repair Manual PDF? This is definitely going to save you time and cash in something you should think about.

### **Find Sony Cdp M18 M19 M39 Repair Manual :**

*snapper quantum xm manual*

**sno pro 440 service manual**

**smashwords book marketing guide by mark coker**

**smark scheme 2014 june edexcel**

**snapper sr930 manual**

[slovoed compact frenchswedish dictionary slovoed dictionaries](#)

**snap on 450 service manual**

[small business owners manual](#)

*smart trak manual*

[smiths detection manual](#)

[smith system 5 keys refresher quiz answer key](#)

**smart goals for school nurses**

[smart goals for instructional coaches](#)

**smoked brisket recipes**

[smart wireless manual](#)

**Sony Cdp M18 M19 M39 Repair Manual :**

**jazz piano solos series hal leonard** - Jun 09 2023

web cole porter jazz piano solos series volume 30 series jazz piano solos softcover composer cole porter arranger brent edstrom 19 99 us hl 00123364 isbn

[cole porter jazz piano solos series volume 30 sheet music](#) - Oct 13 2023

web jazz piano solos series volume 30 softcover 19 99 us digital book 15 99 us series jazz piano solos format softcover composer cole porter arranger brent

[cole porter jazz piano solos vol 30 jazz piano solos series](#) - Sep 12 2023

web cole porter jazz piano solos vol 30 jazz piano solos series volume 30 porter cole amazon sg books

**cole porter jazz piano solos series volume 30 ebook porter** - Jul 30 2022

web cole porter jazz piano solos series volume 30 ebook porter cole amazon co uk books

**cole porter jazz piano solos series volume 30 paperback** - Mar 26 2022

web select the department you want to search in

[amazon com customer reviews cole porter jazz piano solos](#) - Mar 06 2023

web find helpful customer reviews and review ratings for cole porter jazz piano solos series volume 30 jazz piano solos 30 at amazon com read honest and unbiased product

[cole porter jazz piano solos series volume 30 kindle edition](#) - May 08 2023

web oct 1 2014 cole porter jazz piano solos series volume 30 kindle edition by porter cole download it once and read it on



your kindle device pc phones or tablets use

*cole porter jazz piano solos series volume 30 ebook* - Dec 03 2022

web cole porter jazz piano solos series volume 30 ebook porter cole amazon ca kindle store

*cole porter jazz piano solos vol 30 jazz piano solos series* - Jul 10 2023

web buy cole porter jazz piano solos vol 30 jazz piano solos series volume 30 jazz piano solos 30 by porter cole isbn 9781480362369 from amazon s book store

**cole porter jazz piano solos series volume 30 everand com** - Oct 01 2022

web oct 1 2014 solo arrangements with chord names of 22 selections by this legendary songwriter begin the beguine easy to love you d be so easy to love ev ry time

cole porter jazz piano solos series volume 30 goodreads - Apr 26 2022

web jazz piano solos solo arrangements with chord names of 22 selections by this legendary songwriter begin the beguine easy to love you d be so easy to love ev ry time

cole porter jazz piano solos series volume 30 ebook porter - Nov 02 2022

web cole porter jazz piano solos series volume 30 ebook porter cole amazon com au kindle store

**cole porter jazz piano solos series volume 30 apple books** - Jan 04 2023

web oct 1 2014 solo arrangements with chord names of 22 selections by this legendary songwriter begin the beguine easy to love you d be so easy to love ev ry time

**cole porter jazz piano solos series volume 30 jazz piano** - Feb 05 2023

web cole porter jazz piano solos series volume 30 jazz piano solos 30 isbn 10 1480362360 isbn 13 9781480362369 hal leonard 2014 softcover

*cole porter jazz piano solos series volume 30 author cole* - May 28 2022

web cole porter jazz piano solos series volume 30 author cole porter published on march 2015 cole porter on amazon com free shipping on qualifying offers

**cole porter jazz piano solos series volume 30 author cole** - Nov 21 2021

web cole porter jazz piano solos series volume 30 author cole porter published on march 2015 books amazon ca

*cole porter jazz piano solos series volume 30 ebook* - Jun 28 2022

web cole porter jazz piano solos series volume 30 ebook porter cole amazon in kindle store skip to main content in hello select your address kindle store select the

*cole porter jazz piano solos series volume 30 paperback* - Dec 23 2021

web cole porter jazz piano solos series volume 30 paperback oct 1 2014 by brent edstrom arranger cole porter composer 33

ratings part of jazz piano solos 63

[cole porter jazz piano solos series volume 30 jazz piano](#) - Aug 11 2023

web oct 1 2014 cole porter jazz piano solos series volume 30 jazz piano solos 30 edstrom brent porter cole on amazon com free shipping on qualifying offers

[cole porter jazz piano solos volume 30 presto music](#) - Apr 07 2023

web sheet music for cole porter jazz piano solos volume 30 buy online piano pf published by hal leonard composer porter c *cole porter jazz piano solos series volume 30 overdrive* - Aug 31 2022

web oct 1 2014 jazz piano solos solo arrangements with chord names of 22 selections by this legendary songwriter begin the beguine easy to love you d be so easy to love

[cole porter jazz piano solos series volume 30 alibris](#) - Feb 22 2022

web buy cole porter jazz piano solos series volume 30 by cole porter composer brent edstrom online at alibris we have new and used copies available in 1 editions starting

[cole porter jazz piano solos volume 30 groove3 com digital](#) - Jan 24 2022

web piano book cole porter jazz piano solos volume 30 n a 0 log in to review read sample online access 15 99 purchase site all access pass 15 month get 15

**lingo guía de europa para el turista linguistico copy** - Jul 25 2022

web lingo guía de europa para el turista linguistico european review of latin american and caribbean studies feb 03 2023 la encrucijada de europa mar 24 2022 con motivo de la celebración de las elecciones europeas de 2014 la universitat de valència organizó

*lingo guía de europa para el turista lingüístico* - Jun 04 2023

web lingo guía de europa para el turista lingüístico dorren gaston 470 00 bienvenido a europa como nunca la has visto a través de las peculiaridades de sus idi

*lingo guía de europa para el turista linguistico* - May 03 2023

web lingo guía de europa para el turista linguistico caminos 2 aug 08 2021 reinforces language learnt by revisiting and revising selected core language from caminos 1 teaches grammar in a systematic way identifying patterns clearly and providing plenty of practice the increasingly wide spread of

[lingo guía de europa para el turista linguistico pdf](#) - Jul 05 2023

web lingo guía de europa para el turista linguistico retos y aprendizajes para el turismo de naturaleza en colombia nov 19 2021 introducción el grupo de investigación turismo y sociedad y el programa de maestría en planificación y gestión del turismo de la facultad de administración de empresas turísticas y hoteleras de la universidad

[lingo guía de europa para el turista linguistico copy zenith](#) - Aug 26 2022

web 2 lingo guía de europa para el turista linguistico 2022 02 11 meteoric rise china today is one of the world s most powerful nations just a century ago it was a crumbling empire with literacy reserved for the elite few as the world underwent a massive technological transformation that threatened to leave them behind in kingdom of

[guía turístico english translation linguee](#) - Apr 21 2022

web many translated example sentences containing guía turístico english spanish dictionary and search engine for english translations

**descargar pdf lingo guía de europa para el turista gratis** - Oct 08 2023

web título lingo guía de europa para el turista lingüístico noema clasificación 4 3 de 5 estrellas 23 valoraciones isbn 10 841671410x isbn 13 9788416714100 idiomae español formato ebook pdf epub kindle audio html y mobi dispositivos compatibles android ios pc y amazon kindle

[lingo guía de europa para el turista linguistico 2022](#) - Jun 23 2022

web lingo guía de europa para el turista linguistico downloaded from ai classmonitor com by guest edwards ross the ultimate esl teaching manual o reilly media inc six thousand years sixty languages one brisk and breezy whirlwind armchair tour of europe bulg ing with linguistic trivia the wall street journal

**el corte inglés** - Nov 28 2022

web lingo guía de europa para turistas lingüísticos

**lingo guía de europa para el turista lingüístico loja skeelo** - Mar 01 2023

web bienvenido a europa como nunca la has visto a través de las peculiaridades de sus idiomas y dialectos gaston dorren mezcla la lingüística y la historia cultural y nos conduce a un fascinante tour por el continente desde el protoindoeuropeo el antepasado común de las lenguas europeas hasta el triunfo del inglés pa

**lingo guía de europa para el turista lingüístico** - Aug 06 2023

web lingo guía de europa para el turista lingüístico bienvenido a europa como nunca la has visto a través de las peculiaridades de sus idiomas y dialectos gaston dorren mezcla la lingüística y la historia cultur

[guía turístico spanish to english translation](#) - Mar 21 2022

web translate millions of words and phrases for free on spanishdictionary com the world s largest spanish english dictionary and translation website

**el guía turístico en inglés traductor de español a inglés** - Feb 17 2022

web maybe he or she can be the tour guide for the two of you tu eres el guía turístico you re the tour guide no incluido comidas pagos por degustación de vinos propinas para el chofer y o el guía turístico not included food wine tasting and tour

guides driver s gratuity soy el guía turístico i am the tour guide

[lingo guía de europa para el turista lingüístico](#) - Apr 02 2023

web bienvenido a europa como nunca la has visto a través de las peculiaridades de sus idiomas y dialectos gaston dorren mezcla la lingüística y la historia cultural y nos conduce a un fascinante tour por el continente desde el p

**lingo guía de europa para el turista lingüístico noema** - Jan 31 2023

web lingo guía de europa para el turista lingüístico noema spanish edition ebook dorren gaston vales José C Amazon com au books

**lingo guia de europa para el turista linguistico** - Oct 28 2022

web la enseñanza de materias lingüísticas relacionadas con el turismo o las estrategias de los medios de divulgación y difusión de las actividades turísticas con el afán de contribuir al crecimiento del número de investigaciones y al interés suscitado por el

*lingo guia de europa para el turista linguistico copy dotnbm* - May 23 2022

web 2 lingo guia de europa para el turista linguistico 2021 07 09 lingo guia de europa para el turista linguistico downloaded from dotnbm com by guest patricia wilson the american heritage book of english usage lingolingo lonely planet brazil is your passport to the most relevant up to date advice on what to see and skip and what

*lingo guía de europa para el turista lingüístico noema dorren* - Sep 07 2023

web gaston dorren mezcla la lingüística y la historia cultural y nos conduce a un fascinante tour por el continente desde el protoindoeuropeo el antepasado común de las lenguas europeas hasta el triunfo del inglés pasando por las complejidades de los plurales del galés y la pronunciación checa

**lingo guía de europa para el turista lingüístico noema ebook** - Dec 30 2022

web lingo guía de europa para el turista lingüístico noema ebook dorren gaston vales José C Amazon com mx tienda kindle

[lingo guia de europa para el turista linguistico pdf](#) - Sep 26 2022

web lingo guia de europa para el turista linguistico 3 3 sus idiomas y dialectos gaston dorren mezcla la lingüística y la historia cultural y nos conduce a un fascinante tour por el continente desde el protoindoeuropeo el antepasado común de las lenguas europeas hasta el triunfo del inglés pasando por las complejidades de los

[what is the definition of light physics q a byju s](#) - Feb 23 2022

web light light is a type of electromagnetic radiation that allows the human eye to see or makes objects visible it is also defined as visible radiation to the human eye photons which are tiny packets of energy are found in light light always moves in a

*what is light is it energy or matter science abc* - Jun 29 2022

web oct 19 2023 in simple terms light is one of nature s freaky exceptions and is considered to be both a wave and a particle this variability is also one of the fundamental tenets of the theory of quantum mechanics let s look at what happened over the years as people came to this important conclusion

[light definition meaning merriam webster](#) - Nov 03 2022

web 1 a something that makes vision possible b the sensation aroused by stimulation of the visual receptors c electromagnetic radiation of any wavelength that travels in a

**what is light bbc bitesize** - Apr 08 2023

web what is light bbc bitesize ks2 what is light part of the world around us sound and light watch light in a race against a rally car video transcript commentator 1 this is very

[the nature of light the physics hypertextbook](#) - Mar 07 2023

web light is a transverse electromagnetic wave that can be seen by the typical human the wave nature of light was first illustrated through experiments on diffraction and interference like all electromagnetic waves light can travel through a vacuum the transverse nature of light can be demonstrated through polarization

[the basics of light johns hopkins university](#) - Jul 31 2022

web the basics of light light as energy light is remarkable it is something we take for granted every day but it s not something we stop and particles and waves physics experiments over the past hundred years or so have demonstrated that light has a dual interaction of light with matter

*light definition meaning britannica dictionary* - May 29 2022

web light meaning 1 the form of energy that makes it possible to see things the brightness produced by the sun by fire by a lamp etc sometimes used figuratively 2 a source of light such as an electric lamp

*what is light light a very short introduction oxford academic* - Dec 04 2022

web what is light considers light s physical properties brightness intensity colour polarization and warmth and how their application enables light to be used to discern to measure and to control properties of material substances

*what is light a guide to waves particles colour and more* - Jul 11 2023

web is light a wave or a particle how is it created and why can t humans see the whole spectrum of light all your questions answered

[what is light las cumbres observatory](#) - Mar 27 2022

web spacebook the nature of light what is light light is just one form of electromagnetic radiation or electromagnetic waves these waves are all around us and come in many sizes the largest electromagnetic waves with wavelengths from a few centimeters to over 100 meters are called radio waves

**light wikipedia** - Sep 13 2023

web light or visible light is electromagnetic radiation that can be perceived by the human eye visible light is usually defined as having wavelengths in the range of 400 700 nanometres nm corresponding to frequencies of 750 420 terahertz between the infrared with longer wavelengths and the ultraviolet with shorter wavelengths

**an overview of the properties of light oxford instruments** - Feb 06 2023

web light or visible light commonly refers to electromagnetic radiation that can be detected by the human eye the entire electromagnetic spectrum is extremely broad ranging from low energy radio waves with wavelengths that are measured in meters to high energy gamma rays with wavelengths that are less than  $1 \times 10^{-11}$  meters

**what is light bbc bitesize** - Jan 05 2023

web a chemical reaction happens inside fireflies and this helps them to light up activities test your knowledge of light with the activities below activity 1 fill in the gaps activity 2 quiz

**watch what is light anyway explained sciencealert** - Sep 01 2022

web oct 16 2015 as kurzgesagt explains light technically refers to photons which are indivisible energy particles

**light definition properties physics characteristics types** - Oct 14 2023

web nov 12 2023 light electromagnetic radiation that can be detected by the human eye

**light simple english wikipedia the free encyclopedia** - Jun 10 2023

web light is a form of electromagnetic radiation that shows properties of both waves and particles it is a form of energy light also keeps the earth warm light exists in tiny energy packets called photons each wave has a wavelength or frequency the human eye sees each wavelength as a different color

*light electromagnetic waves the electromagnetic spectrum and* - May 09 2023

web introduction to electromagnetic waves electromagnetic radiation is one of the many ways that energy travels through space the heat from a burning fire the light from the sun the x rays used by your doctor as well as the energy used to cook food in a microwave are all forms of electromagnetic radiation

**light the wonders of physics uw madison** - Aug 12 2023

web light is a kind of wave somewhat like ocean waves or sound waves waves carry energy from one place to another but light waves don't need water or air or anything to travel they can move even in empty space unlike sound waves light waves are made of a mixture of electricity and magnetism so they are called electromagnetic waves

*what is light bbc bitesize* - Oct 02 2022

web where does light come from learn how about the sun electricity and fire produce light in this bbc bitesize ks1 science guide

*what is light the visible spectrum and beyond pmc* - Apr 27 2022

web jan 15 2016 1 characteristic of all sensations and perceptions that is specific to vision 2 radiation that is considered from the point of view of its ability to excite the human visual system the cie provides two interesting notes to this formal definition of light note 1 this term has 2 meanings that should be clearly distinguished