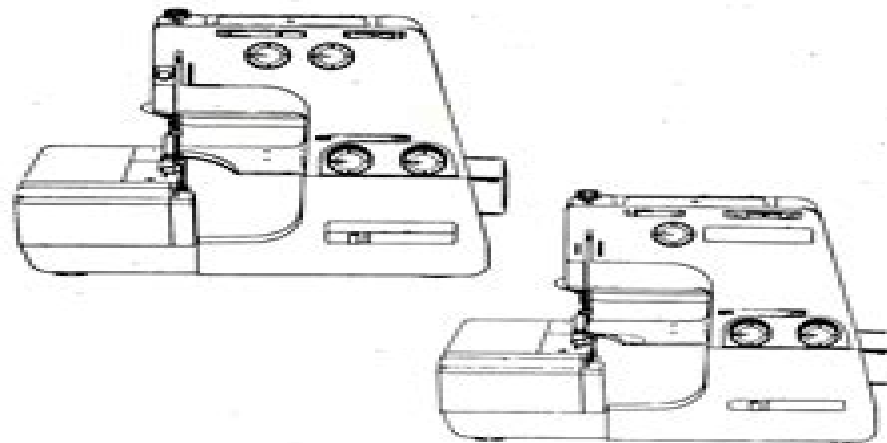


SERVICE MANUAL

REVISED EDITION 1985



FOR WHITE SUPERLOCK MACHINE

WHITE SEWING MACHINE COMPANY
11750 Berea Rd., Cleveland
OHIO 44111

WHITE CONSOLIDATED INDUSTRIES LTD.
1470 Birchmount Rd., Scarborough
Ontario, Canada

White Superlock 523 Manual

White Sewing Machine Company



White Superlock 523 Manual:

White Superlock Owner's Workbook for Models 228, 216, 208, 206 White Sewing Machine Company, 1988

Fuel your quest for knowledge with Authored by is thought-provoking masterpiece, **White Superlock 523 Manual** . This educational ebook, conveniently sized in PDF (PDF Size: *), is a gateway to personal growth and intellectual stimulation. Immerse yourself in the enriching content curated to cater to every eager mind. Download now and embark on a learning journey that promises to expand your horizons. .

<https://movement.livewellcolorado.org/public/detail/HomePages/twelve%20types%20biographical%20studies.pdf>

Table of Contents White Superlock 523 Manual

1. Understanding the eBook White Superlock 523 Manual
 - The Rise of Digital Reading White Superlock 523 Manual
 - Advantages of eBooks Over Traditional Books
2. Identifying White Superlock 523 Manual
 - Exploring Different Genres
 - Considering Fiction vs. Non-Fiction
 - Determining Your Reading Goals
3. Choosing the Right eBook Platform
 - Popular eBook Platforms
 - Features to Look for in an White Superlock 523 Manual
 - User-Friendly Interface
4. Exploring eBook Recommendations from White Superlock 523 Manual
 - Personalized Recommendations
 - White Superlock 523 Manual User Reviews and Ratings
 - White Superlock 523 Manual and Bestseller Lists
5. Accessing White Superlock 523 Manual Free and Paid eBooks
 - White Superlock 523 Manual Public Domain eBooks
 - White Superlock 523 Manual eBook Subscription Services
 - White Superlock 523 Manual Budget-Friendly Options

6. Navigating White Superlock 523 Manual eBook Formats
 - ePub, PDF, MOBI, and More
 - White Superlock 523 Manual Compatibility with Devices
 - White Superlock 523 Manual Enhanced eBook Features
7. Enhancing Your Reading Experience
 - Adjustable Fonts and Text Sizes of White Superlock 523 Manual
 - Highlighting and Note-Taking White Superlock 523 Manual
 - Interactive Elements White Superlock 523 Manual
8. Staying Engaged with White Superlock 523 Manual
 - Joining Online Reading Communities
 - Participating in Virtual Book Clubs
 - Following Authors and Publishers White Superlock 523 Manual
9. Balancing eBooks and Physical Books White Superlock 523 Manual
 - Benefits of a Digital Library
 - Creating a Diverse Reading Collection White Superlock 523 Manual
10. Overcoming Reading Challenges
 - Dealing with Digital Eye Strain
 - Minimizing Distractions
 - Managing Screen Time
11. Cultivating a Reading Routine White Superlock 523 Manual
 - Setting Reading Goals White Superlock 523 Manual
 - Carving Out Dedicated Reading Time
12. Sourcing Reliable Information of White Superlock 523 Manual
 - Fact-Checking eBook Content of White Superlock 523 Manual
 - Distinguishing Credible Sources
13. Promoting Lifelong Learning
 - Utilizing eBooks for Skill Development
 - Exploring Educational eBooks
14. Embracing eBook Trends
 - Integration of Multimedia Elements

- Interactive and Gamified eBooks

White Superlock 523 Manual Introduction

Free PDF Books and Manuals for Download: Unlocking Knowledge at Your Fingertips In today's fast-paced digital age, obtaining valuable knowledge has become easier than ever. Thanks to the internet, a vast array of books and manuals are now available for free download in PDF format. Whether you are a student, professional, or simply an avid reader, this treasure trove of downloadable resources offers a wealth of information, conveniently accessible anytime, anywhere. The advent of online libraries and platforms dedicated to sharing knowledge has revolutionized the way we consume information. No longer confined to physical libraries or bookstores, readers can now access an extensive collection of digital books and manuals with just a few clicks. These resources, available in PDF, Microsoft Word, and PowerPoint formats, cater to a wide range of interests, including literature, technology, science, history, and much more. One notable platform where you can explore and download free White Superlock 523 Manual PDF books and manuals is the internet's largest free library. Hosted online, this catalog compiles a vast assortment of documents, making it a veritable goldmine of knowledge. With its easy-to-use website interface and customizable PDF generator, this platform offers a user-friendly experience, allowing individuals to effortlessly navigate and access the information they seek. The availability of free PDF books and manuals on this platform demonstrates its commitment to democratizing education and empowering individuals with the tools needed to succeed in their chosen fields. It allows anyone, regardless of their background or financial limitations, to expand their horizons and gain insights from experts in various disciplines. One of the most significant advantages of downloading PDF books and manuals lies in their portability. Unlike physical copies, digital books can be stored and carried on a single device, such as a tablet or smartphone, saving valuable space and weight. This convenience makes it possible for readers to have their entire library at their fingertips, whether they are commuting, traveling, or simply enjoying a lazy afternoon at home. Additionally, digital files are easily searchable, enabling readers to locate specific information within seconds. With a few keystrokes, users can search for keywords, topics, or phrases, making research and finding relevant information a breeze. This efficiency saves time and effort, streamlining the learning process and allowing individuals to focus on extracting the information they need. Furthermore, the availability of free PDF books and manuals fosters a culture of continuous learning. By removing financial barriers, more people can access educational resources and pursue lifelong learning, contributing to personal growth and professional development. This democratization of knowledge promotes intellectual curiosity and empowers individuals to become lifelong learners, promoting progress and innovation in various fields. It is worth noting that while accessing free White Superlock 523 Manual PDF books and manuals is convenient and cost-effective, it is vital to respect copyright laws and intellectual property rights. Platforms offering free downloads often operate within legal boundaries,

ensuring that the materials they provide are either in the public domain or authorized for distribution. By adhering to copyright laws, users can enjoy the benefits of free access to knowledge while supporting the authors and publishers who make these resources available. In conclusion, the availability of White Superlock 523 Manual free PDF books and manuals for download has revolutionized the way we access and consume knowledge. With just a few clicks, individuals can explore a vast collection of resources across different disciplines, all free of charge. This accessibility empowers individuals to become lifelong learners, contributing to personal growth, professional development, and the advancement of society as a whole. So why not unlock a world of knowledge today? Start exploring the vast sea of free PDF books and manuals waiting to be discovered right at your fingertips.

FAQs About White Superlock 523 Manual Books

How do I know which eBook platform is the best for me? Finding the best eBook platform depends on your reading preferences and device compatibility. Research different platforms, read user reviews, and explore their features before making a choice. Are free eBooks of good quality? Yes, many reputable platforms offer high-quality free eBooks, including classics and public domain works. However, make sure to verify the source to ensure the eBook credibility. Can I read eBooks without an eReader? Absolutely! Most eBook platforms offer webbased readers or mobile apps that allow you to read eBooks on your computer, tablet, or smartphone. How do I avoid digital eye strain while reading eBooks? To prevent digital eye strain, take regular breaks, adjust the font size and background color, and ensure proper lighting while reading eBooks. What the advantage of interactive eBooks? Interactive eBooks incorporate multimedia elements, quizzes, and activities, enhancing the reader engagement and providing a more immersive learning experience. White Superlock 523 Manual is one of the best book in our library for free trial. We provide copy of White Superlock 523 Manual in digital format, so the resources that you find are reliable. There are also many Ebooks of related with White Superlock 523 Manual. Where to download White Superlock 523 Manual online for free? Are you looking for White Superlock 523 Manual PDF? This is definitely going to save you time and cash in something you should think about. If you trying to find then search around for online. Without a doubt there are numerous these available and many of them have the freedom. However without doubt you receive whatever you purchase. An alternate way to get ideas is always to check another White Superlock 523 Manual. This method for see exactly what may be included and adopt these ideas to your book. This site will almost certainly help you save time and effort, money and stress. If you are looking for free books then you really should consider finding to assist you try this. Several of White Superlock 523 Manual are for sale to free while some are payable. If you arent sure if the books you would like to download works with for usage along with your computer, it is possible to download free trials. The free guides

make it easy for someone to free access online library for download books to your device. You can get free download on free trial for lots of books categories. Our library is the biggest of these that have literally hundreds of thousands of different products categories represented. You will also see that there are specific sites catered to different product types or categories, brands or niches related with White Superlock 523 Manual. So depending on what exactly you are searching, you will be able to choose e books to suit your own need. Need to access completely for Campbell Biology Seventh Edition book? Access Ebook without any digging. And by having access to our ebook online or by storing it on your computer, you have convenient answers with White Superlock 523 Manual To get started finding White Superlock 523 Manual, you are right to find our website which has a comprehensive collection of books online. Our library is the biggest of these that have literally hundreds of thousands of different products represented. You will also see that there are specific sites catered to different categories or niches related with White Superlock 523 Manual So depending on what exactly you are searching, you will be able to choose ebook to suit your own need. Thank you for reading White Superlock 523 Manual. Maybe you have knowledge that, people have search numerous times for their favorite readings like this White Superlock 523 Manual, but end up in harmful downloads. Rather than reading a good book with a cup of coffee in the afternoon, instead they juggled with some harmful bugs inside their laptop. White Superlock 523 Manual is available in our book collection an online access to it is set as public so you can download it instantly. Our digital library spans in multiple locations, allowing you to get the most less latency time to download any of our books like this one. Merely said, White Superlock 523 Manual is universally compatible with any devices to read.

Find White Superlock 523 Manual :

twelve types biographical studies

u8 energy ws3 v3

tv schematic diagram and service manual

~~tutoring the maid victorian submissive maid~~

~~tvw transporter manual~~

~~type certificate h2sw~~

u8 energy ws 5 v3 answers

tutorial manual for autocad electrical 2013

tut 2016 fees quotation

tv lost episode guide

tyco fire panel manual

u8 test v2 0 key chemistry

two pis are better than one

twister go kart owners manual

~~turton 3rd solution manual torrent~~

White Superlock 523 Manual :

Narrative Therapy Treatment Plan & Example Work with the client to define their goals for therapy. These goals should be specific, measurable, achievable, relevant, and time-bound (SMART). Develop ... Narrative Therapy Case Conceptualization: Treatment ... A narrative therapy treatment plan can treat depression and handle a crisis. In this case study template, you will discover an excellent narrative therapy case ... 19 Best Narrative Therapy Techniques & Worksheets [+PDF] In narrative therapy, the client aims to construct a storyline to their experiences that offers meaning, or gives them a positive and functional identity. This ... An Introduction to Narrative Therapy by L DeKruyf · 2008 · Cited by 7 — Treatment Goals The objective of narrative therapy is not to find a “solution.” Rather, it is to help clients reclaim the authority to author their own stories ... Narrative Therapy: Definition, Techniques & Interventions by OG Evans — Narrative therapy seeks to change a problematic narrative into a more productive or healthier one. This is often done by assigning the person ... Narrative Therapy Techniques (4 Examples) Oct 8, 2023 — Narrative therapy is an approach that aims to empower people. In this approach, patients tell their story as if they were the protagonist in a ... Narrative Therapy - Fisher Digital Publications by RH Rice · 2015 · Cited by 20 — Abstract. Narrative therapy (NT) is a strengths-based approach to psychotherapy that uses collaboration between the client or family and the therapist to ... Narrative Therapy Treatment - YouTube Case Conceptualization and Treatment Plan of Marvin ... Narrative theory hypothesizes that client distress arises from suffering causes by personal life stories or experiences that have caused a low sense of self. A courageous people from the Dolomites: The immigrants ... A courageous people from the Dolomites: The immigrants from Trentino on U.S.A. trails [Bolognani, Boniface] on Amazon.com. *FREE* shipping on qualifying ... A Courageous people from the Dolomites : the immigrants ... A Courageous people from the Dolomites : the immigrants from Trentino on U.S.A. trails. Author: Bonifacio Bolognani (Author). Bonifacio Bolognani: Books A Courageous People from the Dolomites: The Immigrants from Trentino on U.S.A. Trails. by Bonifacio Bolognani · 4.74.7 out of 5 stars (6) · Paperback. Currently ... the immigrants from Trentino on U.S.A. trails A courageous people from the Dolomites : the immigrants from Trentino on U.S.A. trails ; Creator: Bolognani, Bonifacio, 1915- ; Language: English ; Subject ... A Courageous People from the Dolomites Cover for "A Courageous People from the Dolomites: The Immigrants from Trentino on U.S.A.. Empty Star. No reviews ... A Courageous People from the Dolomites Bibliographic information. Title, A Courageous People from the Dolomites: The Immigrants from Trentino on U.S.A. Trails. Author, Boniface

Bolognani. Edition, 3. A Courageous People From The Dolomites The Immigrants ... Page 1. A Courageous People From The Dolomites The. Immigrants From Trentino On Usa Trails. A Courageous People From the Dolomites now online Nov 6, 2013 — States. It discusses why our ancestors left Trentino, how they traveled, where they went, their lives in their new country, working in the mines ... A Courageous People from the Dolomites A Courageous People from the Dolomites: The Immigrants from Trentino on U.S.A. Trails. Author, Bonifacio Bolognani. Publisher, Autonomous Province(IS), 1981. A Courageous People from the Dolomites, by Bonifacio ... A Courageous People from the Dolomites, by Bonifacio Bolognani. Pbk, 1984 ... Immigrants from Trentino to USA. Subject. Catholicism, Italian immigration. Texas Tracks and Artifacts: Do Texas... by robert-helfinstine Texas Tracks and Artifacts: Do Texas Fossils Indicate Coexistence of Men and Dinosaurs? [robert-helfinstine] on Amazon.com. *FREE* shipping on qualifying ... Texas Tracks and Artifacts: Do Texas Fossils Indicate ... Read reviews from the world's largest community for readers. Do Texas Fossils Indicate Coexistence of Men and Dinosaurs? Texas Tracks and Artifacts by Robert Helfinstine | eBook Overview. Ever since Roland T. Bird, curator of the New York Museum of Natural History, visited the Paluxy River near Glen Rose, Texas back in 1928 and took out ... texas tracks artifacts fossils Texas Tracks and Artifacts : Do Texas Fossils Indicate Coexistence of Man and Dinosaurs? by Roth, Jerry D., Helfinstine, Robert F. and a great selection of ... Texas Tracks and Artifacts Jan 27, 2008 — There is no argument that there are fossil dinosaur footprints preserved in the rock; the question concerns the human tracks. Although these ... Do Texas Fossils Indicate Coexistence of Men and ... Texas Tracks and Artifacts: Do Texas Fossils Indicate Coexistence of Men and Dinosaurs? by Robert-helfinstine - ISBN 10: 0615151361 - ISBN 13: 9780615151366 ... Mapping Dinosaur Tracks - Texas Parks and Wildlife Five main track site areas have been mapped within Dinosaur Valley State Park. Each of these areas has named individual track sites. Two types of tracks are ... Dinosaurs In Texas | Preserved Tracks & Fossils Get up close and personal with preserved dinosaur tracks and fossils in Texas. Take the kids out on family friendly adventure and go back in time. Texas Tracks and Artifacts: Do Texas Fossils Indicat... World of Books USA was founded in 2005. We all like the idea of saving a bit of cash, so when we found out how many good quality used products are out there ...