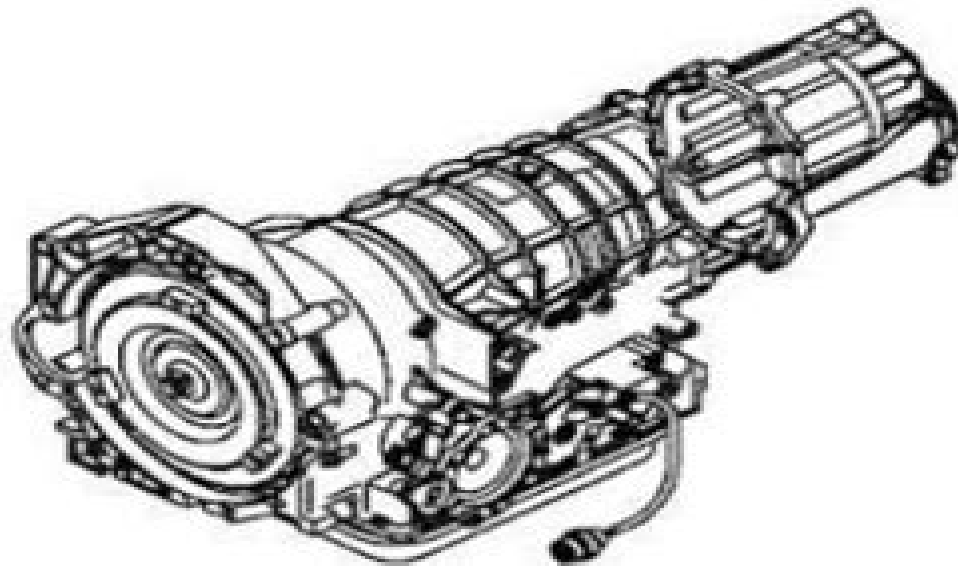


---

ZF TRANSMISSION  
6HP19 6HP26 5HP19 5HP24  
5HP24A 5HP19FL/A



**AUTO SERVICE MANUAL**

# Zf 5hp19fl Transmission Service Manual

**KJ Lindholm-Leary**



## **Zf 5hp19fl Transmission Service Manual:**

Getting the books **Zf 5hp19fl Transmission Service Manual** now is not type of inspiring means. You could not abandoned going once ebook deposit or library or borrowing from your associates to get into them. This is an unconditionally simple means to specifically acquire guide by on-line. This online revelation Zf 5hp19fl Transmission Service Manual can be one of the options to accompany you taking into consideration having other time.

It will not waste your time. understand me, the e-book will extremely manner you additional business to read. Just invest little time to gate this on-line message **Zf 5hp19fl Transmission Service Manual** as with ease as evaluation them wherever you are now.

[https://movement.livewellcolorado.org/files/publication/default.aspx/shipleigh\\_associates\\_proposal\\_guide\\_for\\_business.pdf](https://movement.livewellcolorado.org/files/publication/default.aspx/shipleigh_associates_proposal_guide_for_business.pdf)

## **Table of Contents Zf 5hp19fl Transmission Service Manual**

1. Understanding the eBook Zf 5hp19fl Transmission Service Manual
  - The Rise of Digital Reading Zf 5hp19fl Transmission Service Manual
  - Advantages of eBooks Over Traditional Books
2. Identifying Zf 5hp19fl Transmission Service Manual
  - Exploring Different Genres
  - Considering Fiction vs. Non-Fiction
  - Determining Your Reading Goals
3. Choosing the Right eBook Platform
  - Popular eBook Platforms
  - Features to Look for in an Zf 5hp19fl Transmission Service Manual
  - User-Friendly Interface
4. Exploring eBook Recommendations from Zf 5hp19fl Transmission Service Manual
  - Personalized Recommendations
  - Zf 5hp19fl Transmission Service Manual User Reviews and Ratings
  - Zf 5hp19fl Transmission Service Manual and Bestseller Lists

5. Accessing Zf 5hp19fl Transmission Service Manual Free and Paid eBooks
  - Zf 5hp19fl Transmission Service Manual Public Domain eBooks
  - Zf 5hp19fl Transmission Service Manual eBook Subscription Services
  - Zf 5hp19fl Transmission Service Manual Budget-Friendly Options
6. Navigating Zf 5hp19fl Transmission Service Manual eBook Formats
  - ePub, PDF, MOBI, and More
  - Zf 5hp19fl Transmission Service Manual Compatibility with Devices
  - Zf 5hp19fl Transmission Service Manual Enhanced eBook Features
7. Enhancing Your Reading Experience
  - Adjustable Fonts and Text Sizes of Zf 5hp19fl Transmission Service Manual
  - Highlighting and Note-Taking Zf 5hp19fl Transmission Service Manual
  - Interactive Elements Zf 5hp19fl Transmission Service Manual
8. Staying Engaged with Zf 5hp19fl Transmission Service Manual
  - Joining Online Reading Communities
  - Participating in Virtual Book Clubs
  - Following Authors and Publishers Zf 5hp19fl Transmission Service Manual
9. Balancing eBooks and Physical Books Zf 5hp19fl Transmission Service Manual
  - Benefits of a Digital Library
  - Creating a Diverse Reading Collection Zf 5hp19fl Transmission Service Manual
10. Overcoming Reading Challenges
  - Dealing with Digital Eye Strain
  - Minimizing Distractions
  - Managing Screen Time
11. Cultivating a Reading Routine Zf 5hp19fl Transmission Service Manual
  - Setting Reading Goals Zf 5hp19fl Transmission Service Manual
  - Carving Out Dedicated Reading Time
12. Sourcing Reliable Information of Zf 5hp19fl Transmission Service Manual
  - Fact-Checking eBook Content of Zf 5hp19fl Transmission Service Manual
  - Distinguishing Credible Sources
13. Promoting Lifelong Learning

- Utilizing eBooks for Skill Development
  - Exploring Educational eBooks
14. Embracing eBook Trends
- Integration of Multimedia Elements
  - Interactive and Gamified eBooks

### **Zf 5hp19fl Transmission Service Manual Introduction**

In this digital age, the convenience of accessing information at our fingertips has become a necessity. Whether its research papers, eBooks, or user manuals, PDF files have become the preferred format for sharing and reading documents. However, the cost associated with purchasing PDF files can sometimes be a barrier for many individuals and organizations. Thankfully, there are numerous websites and platforms that allow users to download free PDF files legally. In this article, we will explore some of the best platforms to download free PDFs. One of the most popular platforms to download free PDF files is Project Gutenberg. This online library offers over 60,000 free eBooks that are in the public domain. From classic literature to historical documents, Project Gutenberg provides a wide range of PDF files that can be downloaded and enjoyed on various devices. The website is user-friendly and allows users to search for specific titles or browse through different categories. Another reliable platform for downloading Zf 5hp19fl Transmission Service Manual free PDF files is Open Library. With its vast collection of over 1 million eBooks, Open Library has something for every reader. The website offers a seamless experience by providing options to borrow or download PDF files. Users simply need to create a free account to access this treasure trove of knowledge. Open Library also allows users to contribute by uploading and sharing their own PDF files, making it a collaborative platform for book enthusiasts. For those interested in academic resources, there are websites dedicated to providing free PDFs of research papers and scientific articles. One such website is Academia.edu, which allows researchers and scholars to share their work with a global audience. Users can download PDF files of research papers, theses, and dissertations covering a wide range of subjects. Academia.edu also provides a platform for discussions and networking within the academic community. When it comes to downloading Zf 5hp19fl Transmission Service Manual free PDF files of magazines, brochures, and catalogs, Issuu is a popular choice. This digital publishing platform hosts a vast collection of publications from around the world. Users can search for specific titles or explore various categories and genres. Issuu offers a seamless reading experience with its user-friendly interface and allows users to download PDF files for offline reading. Apart from dedicated platforms, search engines also play a crucial role in finding free PDF files. Google, for instance, has an advanced search feature that allows users to filter results by file type. By specifying the file type as "PDF," users can find websites that offer free PDF downloads on a specific topic. While downloading Zf 5hp19fl Transmission

Service Manual free PDF files is convenient, its important to note that copyright laws must be respected. Always ensure that the PDF files you download are legally available for free. Many authors and publishers voluntarily provide free PDF versions of their work, but its essential to be cautious and verify the authenticity of the source before downloading Zf 5hp19fl Transmission Service Manual. In conclusion, the internet offers numerous platforms and websites that allow users to download free PDF files legally. Whether its classic literature, research papers, or magazines, there is something for everyone. The platforms mentioned in this article, such as Project Gutenberg, Open Library, Academia.edu, and Issuu, provide access to a vast collection of PDF files. However, users should always be cautious and verify the legality of the source before downloading Zf 5hp19fl Transmission Service Manual any PDF files. With these platforms, the world of PDF downloads is just a click away.

### FAQs About Zf 5hp19fl Transmission Service Manual Books

1. Where can I buy Zf 5hp19fl Transmission Service Manual books? Bookstores: Physical bookstores like Barnes & Noble, Waterstones, and independent local stores. Online Retailers: Amazon, Book Depository, and various online bookstores offer a wide range of books in physical and digital formats.
2. What are the different book formats available? Hardcover: Sturdy and durable, usually more expensive. Paperback: Cheaper, lighter, and more portable than hardcovers. E-books: Digital books available for e-readers like Kindle or software like Apple Books, Kindle, and Google Play Books.
3. How do I choose a Zf 5hp19fl Transmission Service Manual book to read? Genres: Consider the genre you enjoy (fiction, non-fiction, mystery, sci-fi, etc.). Recommendations: Ask friends, join book clubs, or explore online reviews and recommendations. Author: If you like a particular author, you might enjoy more of their work.
4. How do I take care of Zf 5hp19fl Transmission Service Manual books? Storage: Keep them away from direct sunlight and in a dry environment. Handling: Avoid folding pages, use bookmarks, and handle them with clean hands. Cleaning: Gently dust the covers and pages occasionally.
5. Can I borrow books without buying them? Public Libraries: Local libraries offer a wide range of books for borrowing. Book Swaps: Community book exchanges or online platforms where people exchange books.
6. How can I track my reading progress or manage my book collection? Book Tracking Apps: Goodreads, LibraryThing, and Book Catalogue are popular apps for tracking your reading progress and managing book collections. Spreadsheets: You can create your own spreadsheet to track books read, ratings, and other details.

7. What are Zf 5hp19fl Transmission Service Manual audiobooks, and where can I find them? Audiobooks: Audio recordings of books, perfect for listening while commuting or multitasking. Platforms: Audible, LibriVox, and Google Play Books offer a wide selection of audiobooks.
8. How do I support authors or the book industry? Buy Books: Purchase books from authors or independent bookstores. Reviews: Leave reviews on platforms like Goodreads or Amazon. Promotion: Share your favorite books on social media or recommend them to friends.
9. Are there book clubs or reading communities I can join? Local Clubs: Check for local book clubs in libraries or community centers. Online Communities: Platforms like Goodreads have virtual book clubs and discussion groups.
10. Can I read Zf 5hp19fl Transmission Service Manual books for free? Public Domain Books: Many classic books are available for free as they're in the public domain. Free E-books: Some websites offer free e-books legally, like Project Gutenberg or Open Library.

**Find Zf 5hp19fl Transmission Service Manual :**

*shipley associates proposal guide for business*

~~shop manual kia carnival~~

**shifting senses habitat lounge book 1**

*shigley39s mechanical engineering design 8th edition solutions manual*

**sharp lc 32le600e ru s tv service manual**

**sharp operation manual**

**shigley machine design 9th edition solutions manual**

~~sharp md mx30 repair manual~~

*shelly cashman complete excel 9 assignment*

sharp xv z7000u z7000e service manual repair guide

shimadzu sdu 450 xl manual

**shear force diagram examples**

sheehy s manual of emergency care 7th ed tahir9 vrg

~~shiloh discussion guide~~

~~sharp lc 47sb57ut service manual repair guide~~



**Zf 5hp19fl Transmission Service Manual :**

Feeling Good: The New Mood Therapy: David D. Burns This book focuses on the cognitive side of things, teaching you how to improve your mood by learning how to think more clearly and more realistically about your ... Feeling Good: The New Mood Therapy by David D. Burns This book focuses on the cognitive side of things, teaching you how to improve your mood by learning how to think more clearly and more realistically about your ... Feeling Good | The website of David D. Burns, MD You owe it ... Feeling Great includes all the new TEAM-CBT techniques that can melt away therapeutic resistance and open the door to ultra-rapid recovery from depression and ... Feeling Good: The New Mood Therapy by David D. Burns The good news is that anxiety, guilt, pessimism, procrastination, low self-esteem, and other "black holes" of depression can be cured without drugs. Feeling Good: The New Mood Therapy Feeling Good, by Dr. David Burns M.D., is the best self-help book I have ever read. #1. This books spans all the relevant information that can produce happiness ... Feeling Good: The New Mood Therapy Feeling Good: The New Mood Therapy is a book written by David D. Burns, first published in 1980, that popularized cognitive behavioral therapy (CBT). Books | Feeling Good Feeling Good - The New Mood Therapy Dr. Burns describes how to combat feelings of depression so you can develop greater self-esteem. This best-selling book ... Feeling Good: The New Mood Therapy Handle hostility and criticism. Overcome addiction to love and approval. Build self-esteem. Feel good everyday. Feeling Good The New Mood Therapy by David D. Burns ... Description: In clear, simple language, Feeling Good outlines a drug-free cure for anxiety, guilt, pessimism, procrastination, low self-esteem and other ... Feeling Good Podcast | TEAM-CBT - The New Mood ... This podcast features David D. Burns MD, author of "Feeling Good, The New Mood Therapy," describing powerful new techniques to overcome depression and ... Cellar of Horror: The Story of Gary Heidnik by Englade, Ken The book takes you through much of his life before the crimes and continues through his conviction. It also includes botched opportunities to discover his ... Cellar of Horror Four young women had been held captive--some for four months--half-naked and chained. They had been tortured, starved, and repeatedly raped. But more grotesque ... Cellar of Horror: The Story of Gary Heidnik "Cellar of Horror" tells a story of 5 women who were tortured and humiliated both aggressively and sexually, because of a sadistic man who wanted to run a "baby ... Cellar of Horror: The Story of Gary Heidnik by Ken Englade "Cellar of Horror" tells the story of Philly psychopath Gary Heidnik. He kidnapped, raped, beat, killed, cooked and force fed women chained in his basement. The ... Cellar of Horror: The Story of Gary Heidnik (Paperback) Ken Englade (1938-2016) was an investigative reporter and bestselling author whose books include Beyond Reason, To Hatred Turned, Cellar of Horror, A Family ... Cellar of Horror: The Story of Gary Heidnik Revised edition ... The book takes you through much of his life before the crimes and continues through his conviction. It also includes botched opportunities to discover his ... Cellar of Horror: The Story of Gary Heidnik (Paperback) Cellar of Horror: The Story of Gary Heidnik (Paperback). By Ken Englade. \$21.99. Ships to Our Store in 1-5 Days (This book ... Cellar of Horror: The Story of Gary

Heidnik - Softcover Serial killer Gary Heidnik's name will live on in infamy, and his home, 3520 North Marshall Street in Philadelphia, is a house tainted with the memory of ... Cellar of Horror by Ken Englade - Audiobook Listen to the Cellar of Horror audiobook by Ken Englade, narrated by Eric Jason Martin. Serial killer Gary Heidnik's name will live on in infamy, ... Laboratory Manual Sylvia Mader Answer Key Laboratory Manual Sylvia Mader Answer Key. C h. C. <. P. T. Biology - 13th Edition - Solutions and Answers Our resource for Biology includes answers to chapter exercises, as well as detailed information to walk you through the process step by step. With Expert ... Test Bank and Solutions For Biology 14th Edition By Sylvia ... Solutions, Test Bank & Ebook for Biology 14th Edition By Sylvia Mader, Michael Windelspecht ; 9781260710878, 1260710874 & CONNECT assignments, ... Laboratory Manual by Sylvia Mader PDF, any edition will do Found the 14th edition on libgen.rs hope it works! Library Genesis: Sylvia Mader - Human Biology -- Laboratory Manual (libgen.rs). Lab Manual for Human Biology 13th Edition Access Lab Manual for Human Biology 13th Edition solutions now. Our solutions are written by Chegg experts so you can be assured of the highest quality! Lab Manual for Maders Biology: 9781260179866 Laboratory Manual for Human Biology. Sylvia Mader ... answers to many exercise questions are hard to find or not in this book ... Human Biology 17th Edition Mader SOLUTION MANUAL Solution Manual for Human Biology, 17th Edition, Sylvia Mader, Michael Windelspecht, ISBN10: 1260710823, ISBN13: 9781260710823... lab manual answers biology.pdf Lab manual answers biology Now is the time to redefine your true self using Slader's free Lab Manual for Biology answers. Shed the societal and cultural ... Lab Manual for Human Biology Sylvia S. Mader has authored several nationally recognized biology texts published by McGraw-Hill. Educated at Bryn Mawr College, Harvard University, Tufts ... Sylvia Mader Solutions Books by Sylvia Mader with Solutions ; Inquiry Into Life with Lab Manual and Connect Access Card 14th Edition 672 Problems solved, Michael Windelspecht, Sylvia ...