

Boss Design for Self-Tapping Screws

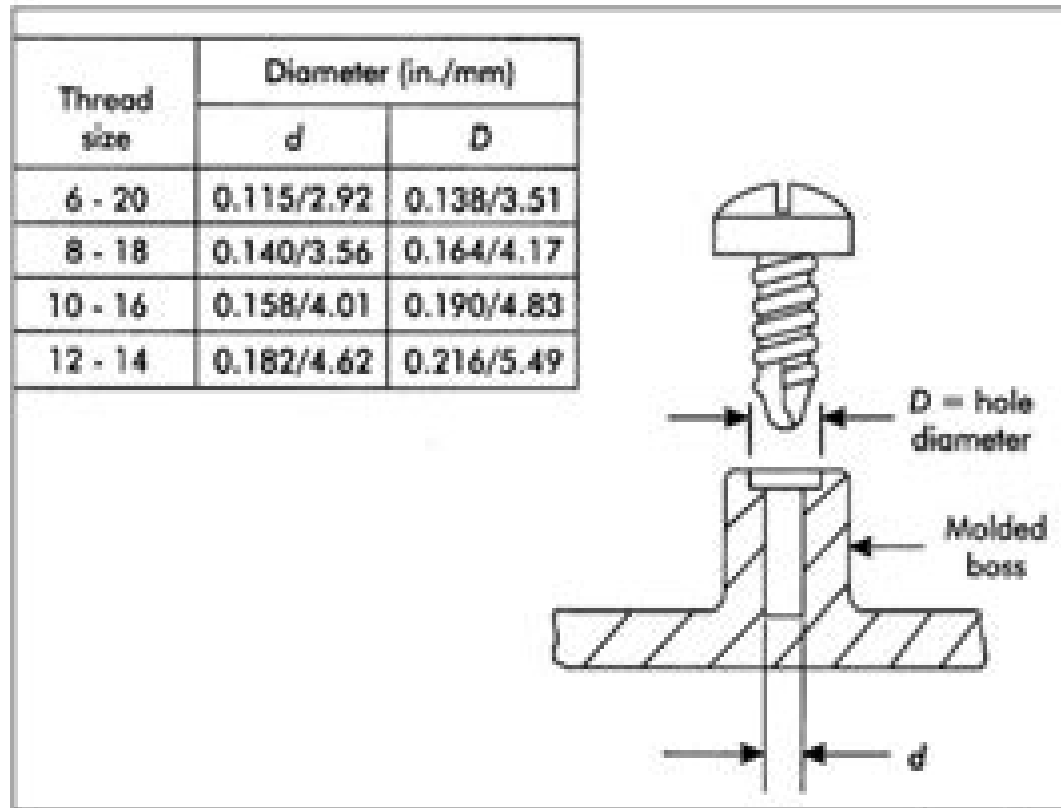
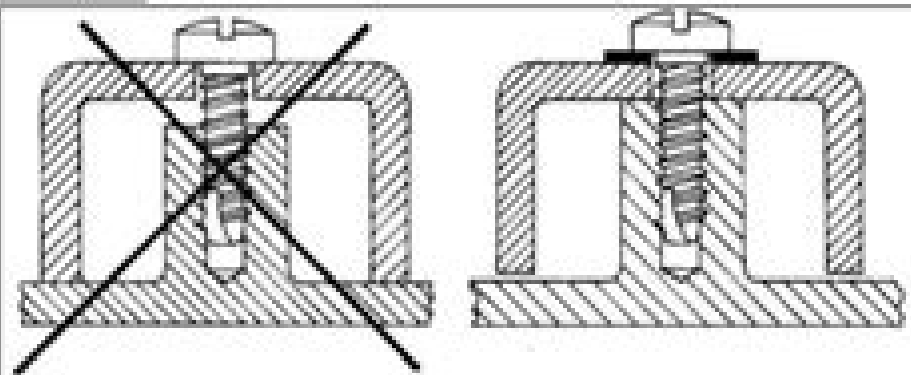


Figure 11-7a *Plastic Injection Molding, Vol. II* by Douglas M. Bryce, SME publications.



Taptite Boss Design Guide

CL Gary



Taptite Boss Design Guide:
Engineers' Digest ,1985

Boss Design Ltd. : Trade Literature 1996- ,1996

Discover tales of courage and bravery in Crafted by is empowering ebook, **Taptite Boss Design Guide** . In a downloadable PDF format (Download in PDF: *), this collection inspires and motivates. Download now to witness the indomitable spirit of those who dared to be brave.

https://movement.livewellcolorado.org/results/browse/Download_PDFS/2006_acura_tl_ecu_upgrade_kit_manual.pdf

Table of Contents Taptite Boss Design Guide

1. Understanding the eBook Taptite Boss Design Guide
 - The Rise of Digital Reading Taptite Boss Design Guide
 - Advantages of eBooks Over Traditional Books
2. Identifying Taptite Boss Design Guide
 - Exploring Different Genres
 - Considering Fiction vs. Non-Fiction
 - Determining Your Reading Goals
3. Choosing the Right eBook Platform
 - Popular eBook Platforms
 - Features to Look for in an Taptite Boss Design Guide
 - User-Friendly Interface
4. Exploring eBook Recommendations from Taptite Boss Design Guide
 - Personalized Recommendations
 - Taptite Boss Design Guide User Reviews and Ratings
 - Taptite Boss Design Guide and Bestseller Lists
5. Accessing Taptite Boss Design Guide Free and Paid eBooks
 - Taptite Boss Design Guide Public Domain eBooks
 - Taptite Boss Design Guide eBook Subscription Services
 - Taptite Boss Design Guide Budget-Friendly Options
6. Navigating Taptite Boss Design Guide eBook Formats

- ePub, PDF, MOBI, and More
- Taptite Boss Design Guide Compatibility with Devices
- Taptite Boss Design Guide Enhanced eBook Features
- 7. Enhancing Your Reading Experience
 - Adjustable Fonts and Text Sizes of Taptite Boss Design Guide
 - Highlighting and Note-Taking Taptite Boss Design Guide
 - Interactive Elements Taptite Boss Design Guide
- 8. Staying Engaged with Taptite Boss Design Guide
 - Joining Online Reading Communities
 - Participating in Virtual Book Clubs
 - Following Authors and Publishers Taptite Boss Design Guide
- 9. Balancing eBooks and Physical Books Taptite Boss Design Guide
 - Benefits of a Digital Library
 - Creating a Diverse Reading Collection Taptite Boss Design Guide
- 10. Overcoming Reading Challenges
 - Dealing with Digital Eye Strain
 - Minimizing Distractions
 - Managing Screen Time
- 11. Cultivating a Reading Routine Taptite Boss Design Guide
 - Setting Reading Goals Taptite Boss Design Guide
 - Carving Out Dedicated Reading Time
- 12. Sourcing Reliable Information of Taptite Boss Design Guide
 - Fact-Checking eBook Content of Taptite Boss Design Guide
 - Distinguishing Credible Sources
- 13. Promoting Lifelong Learning
 - Utilizing eBooks for Skill Development
 - Exploring Educational eBooks
- 14. Embracing eBook Trends
 - Integration of Multimedia Elements
 - Interactive and Gamified eBooks

Taptite Boss Design Guide Introduction

In the digital age, access to information has become easier than ever before. The ability to download Taptite Boss Design Guide has revolutionized the way we consume written content. Whether you are a student looking for course material, an avid reader searching for your next favorite book, or a professional seeking research papers, the option to download Taptite Boss Design Guide has opened up a world of possibilities. Downloading Taptite Boss Design Guide provides numerous advantages over physical copies of books and documents. Firstly, it is incredibly convenient. Gone are the days of carrying around heavy textbooks or bulky folders filled with papers. With the click of a button, you can gain immediate access to valuable resources on any device. This convenience allows for efficient studying, researching, and reading on the go. Moreover, the cost-effective nature of downloading Taptite Boss Design Guide has democratized knowledge. Traditional books and academic journals can be expensive, making it difficult for individuals with limited financial resources to access information. By offering free PDF downloads, publishers and authors are enabling a wider audience to benefit from their work. This inclusivity promotes equal opportunities for learning and personal growth. There are numerous websites and platforms where individuals can download Taptite Boss Design Guide. These websites range from academic databases offering research papers and journals to online libraries with an expansive collection of books from various genres. Many authors and publishers also upload their work to specific websites, granting readers access to their content without any charge. These platforms not only provide access to existing literature but also serve as an excellent platform for undiscovered authors to share their work with the world. However, it is essential to be cautious while downloading Taptite Boss Design Guide. Some websites may offer pirated or illegally obtained copies of copyrighted material. Engaging in such activities not only violates copyright laws but also undermines the efforts of authors, publishers, and researchers. To ensure ethical downloading, it is advisable to utilize reputable websites that prioritize the legal distribution of content. When downloading Taptite Boss Design Guide, users should also consider the potential security risks associated with online platforms. Malicious actors may exploit vulnerabilities in unprotected websites to distribute malware or steal personal information. To protect themselves, individuals should ensure their devices have reliable antivirus software installed and validate the legitimacy of the websites they are downloading from. In conclusion, the ability to download Taptite Boss Design Guide has transformed the way we access information. With the convenience, cost-effectiveness, and accessibility it offers, free PDF downloads have become a popular choice for students, researchers, and book lovers worldwide. However, it is crucial to engage in ethical downloading practices and prioritize personal security when utilizing online platforms. By doing so, individuals can make the most of the vast array of free PDF resources available and embark on a journey of continuous learning and intellectual growth.

FAQs About Taptite Boss Design Guide Books

What is a Taptite Boss Design Guide PDF? A PDF (Portable Document Format) is a file format developed by Adobe that preserves the layout and formatting of a document, regardless of the software, hardware, or operating system used to view or print it. **How do I create a Taptite Boss Design Guide PDF?** There are several ways to create a PDF: Use software like Adobe Acrobat, Microsoft Word, or Google Docs, which often have built-in PDF creation tools. Print to PDF: Many applications and operating systems have a "Print to PDF" option that allows you to save a document as a PDF file instead of printing it on paper. Online converters: There are various online tools that can convert different file types to PDF. **How do I edit a Taptite Boss Design Guide PDF?** Editing a PDF can be done with software like Adobe Acrobat, which allows direct editing of text, images, and other elements within the PDF. Some free tools, like PDFescape or Smallpdf, also offer basic editing capabilities. **How do I convert a Taptite Boss Design Guide PDF to another file format?** There are multiple ways to convert a PDF to another format: Use online converters like Smallpdf, Zamzar, or Adobe Acrobats export feature to convert PDFs to formats like Word, Excel, JPEG, etc. Software like Adobe Acrobat, Microsoft Word, or other PDF editors may have options to export or save PDFs in different formats. **How do I password-protect a Taptite Boss Design Guide PDF?** Most PDF editing software allows you to add password protection. In Adobe Acrobat, for instance, you can go to "File" -> "Properties" -> "Security" to set a password to restrict access or editing capabilities. Are there any free alternatives to Adobe Acrobat for working with PDFs? Yes, there are many free alternatives for working with PDFs, such as: LibreOffice: Offers PDF editing features. PDFsam: Allows splitting, merging, and editing PDFs. Foxit Reader: Provides basic PDF viewing and editing capabilities. How do I compress a PDF file? You can use online tools like Smallpdf, ILovePDF, or desktop software like Adobe Acrobat to compress PDF files without significant quality loss. Compression reduces the file size, making it easier to share and download. Can I fill out forms in a PDF file? Yes, most PDF viewers/editors like Adobe Acrobat, Preview (on Mac), or various online tools allow you to fill out forms in PDF files by selecting text fields and entering information. Are there any restrictions when working with PDFs? Some PDFs might have restrictions set by their creator, such as password protection, editing restrictions, or print restrictions. Breaking these restrictions might require specific software or tools, which may or may not be legal depending on the circumstances and local laws.

Find Taptite Boss Design Guide :

[2006 acura tl ecu upgrade kit manual](#)

managerial accounting 2nd edition answers

firm the troubled life of the house of windsor

aban offshore limited dubai police cars
ags publishing united states history answer key
vespa gt200 2005 2009 workshop service manual repair
2014 exams grade 10 at mpumalanga
magic tree house 52 soccer on sunday
onity field service manual
what does an automatic licence look like
zenith zn 311 manual
bus 801 noun
wiring engine volvo penta
electronic flash
key of valor large print ed.

Taptite Boss Design Guide :

justin trudeau is putting the liberal back in canadian foreign policy - Feb 26 2022

web oct 21 2015 justin trudeau is putting the liberal back in canadian foreign policy after nine years of stephen harper s neocon act a new inexperienced prime minister is going to dial back

what to know about canada and china s foreign interference row - Aug 03 2022

web mar 3 2023 bbc news toronto in recent months canadian media have released a steady drip of reports many based on leaked intelligence about detailed claims of chinese meddling in the country s last two

canada is back justin trudeau s foreign policy - May 12 2023

web nov 2 2017 colin robertson declaring that canada is back justin trudeau promised a constructive and compassionate foreign policy in 2015 then came donald trump in 2016 protectionist populist and unilateralist who presents the trudeau government with its biggest foreign policy challenge

canada politics relations current affairs foreign policy - Apr 30 2022

web u s president joe biden mexican president andrés manuel lópez obrador and canadian prime minister justin trudeau hug one another during the 2023 north american leaders summit at the

biden holds first foreign meeting with canada s justin trudeau - Jul 02 2022

web feb 24 2021 us president joe biden has spoken to canadian prime minister justin trudeau in his first bilateral meeting with a foreign leader since taking office the two leaders highlighted mutual

[a promise too far the justin trudeau government and](#) - Dec 27 2021

web may 13 2018 first online 13 may 2018 3220 accesses 8 citations 2 altmetric part of the canada and international affairs book series ciaf abstract canada is widely recognized as a global leader in human rights yet when indigenous peoples rights are included in its human rights record canada s reputation loses some of its luster

prime minister justin trudeau a foreign policy assessment - Jun 13 2023

web prime minister justin trudeau declared canada is back and promised a return to sunny ways upon winning a majority in the october 2015 federal election the son of pierre trudeau canada s third longest serving prime minister

[justin trudeau and canadian foreign policy google books](#) - Mar 10 2023

web may 12 2018 this book offers the first comprehensive analysis of canadian foreign policy under the government of justin trudeau with a concentration on the areas of climate change trade indigenous rights arms sales refugees military affairs and relationships with the united states and china at the book s core is trudeau s biggest

justin trudeau and canadian foreign policy springerlink - Jul 14 2023

web this book offers the first comprehensive analysis of canadian foreign policy under the government of justin trudeau with a concentration on the areas of climate change trade indigenous rights arms sales refugees military affairs and relationships with the united states and china

canada s feminist foreign policy the canadian encyclopedia - Jan 28 2022

web jul 31 2020 canada s feminist foreign policy in june 2017 justin trudeau s liberal government introduced its feminist international assistance policy fiap the fiap takes an explicitly feminist approach to canada s foreign policy and international development to target gender equality and the empowerment of women and girls

justin trudeau and canadian foreign policy canada and - Dec 07 2022

web may 28 2018 this book offers the first comprehensive analysis of canadian foreign policy under the government of justin trudeau with a concentration on the areas of climate change trade indigenous rights arms sales refugees military affairs and relationships with the united states and china

the promise and perils of justin trudeau s foreign policy - Sep 04 2022

web may 13 2018 abstract justin trudeau s brand of internationalism which blends liberal idealism and interest based realism has worked well for canada in the past and stands to do so in the future he is well positioned to advance canada s interests while rallying international action to address specific global challenges however two perils loom

[foreign policy of the justin trudeau government wikipedia](#) - Aug 15 2023

web the foreign policy of justin trudeau is canada s foreign policy since justin trudeau became prime minister in november 2015 mélanie joly has served as the minister of foreign affairs since october 2021 trudeau s premiership has been marked

with continued close relations with the united states

trudeau s foreign policy progressive rhetoric conventional policies - Oct 05 2022

web sep 25 2019 a reliable partner for europe europe s relationship with canada has intensified under trudeau including in the framework of the comprehensive economic and trade agreement ceta which has been provisionally applied since 2017 and the eu canada strategic partnership agreement

redefining canada s foreign policies policy options - Jun 01 2022

web jul 22 2019 the closest thing justin trudeau s liberals have to a foreign policy review is the speech minister of foreign affairs chrystia freeland presented in 2017 the principles it outlined echo previous iterations of canadian foreign policy as far back as 1947 when minister of external affairs louis st laurent outlined canada s values including

how immigrant friendly is canada foreign policy - Mar 30 2022

web august 28 2023 3 43 pm canadians like to think of their country as a nation built on immigration canada the story goes is a bastion of multiculturalism this narrative has been refined

canada among nations 2017 justin trudeau and canadian foreign policy - Feb 09 2023

web mar 19 2019 the accessible overviews of key issues in canadian foreign policy mean that this volume will likely maintain the series status as an effective entry point to the study of canadian foreign policy for students at many canadian universities

canada s undeclared foreign policy needs more focus former - Apr 11 2023

web feb 12 2021 canada s international aid budget is only about 6 billion a year which equalled 0 27 per cent of the country s gross domestic income gdi in 2019 the oecd target for official development

canadian foreign policy institute - Nov 06 2022

web the canadian foreign policy institute informs people about the country s diplomatic aid intelligence and military policies abroad the cfpi opposes the racism embedded in canadian foreign policy the nonpartisan organization also monitors corporate canada s international activities

justin trudeau and canadian foreign policy european - Jan 08 2023

web this book offers the first comprehensive analysis of canadian foreign policy under the government of justin trudeau with a concentration on the areas of climate change trade indigenous rights arms sales refugees military affairs and relationships with the united states and china at the book s core is trudeau s biggest and most unexpected

kauderwelsch band 010 kisuaheli wort für wort 10 auflage - Mar 10 2023

web christoph friedrich reise know how verlag kauderwelsch 10 2003 kauderwelsch band 010 kisuaheli wort für wort 10 auflage author christoph friedrich publisher

[kisuaheli wort für wort download pdf reise know how](#) - Apr 11 2023

web kauderwelsch sprachführer bieten einen schnellen einstieg in fremde sprachen alle fremdsprachigen sätze im buch werden zusätzlich zur sinngemäßen Übersetzung ins

kisuaheli wort für wort buch gebraucht antiquarisch neu - Jun 13 2023

web kauderwelsch kisuaheli wort für wort mit qr codes reise know how verlag bielefeld 2012 klebebindung isbn 9783894160746 zustand gebraucht gut

kisuaheli wort für wort für tansania kenia und uganda - Feb 26 2022

web jul 9 2018 kisuaheli wort für wort für tansania kenia und uganda kauderwelsch sprachführer von reise know how german edition ebook friedrich christoph

kisuaheli wort für wort kauderwelsch amazon co uk - Nov 25 2021

web buy kisuaheli wort für wort kauderwelsch by isbn 9783894160746 from amazon s book store everyday low prices and free delivery on eligible orders

kauderwelsch band 010 kisuaheli wort für wort 10 auflage - Apr 30 2022

web download kauderwelsch band 010 kisuaheli wort für wort 10 auflage book for free from z library request code zlibio619389 categories suggest category year

kauderwelsch kisuaheli wort für wort hardcover amazon co uk - Mar 30 2022

web buy kauderwelsch kisuaheli wort für wort by isbn 9783894169725 from amazon s book store everyday low prices and free delivery on eligible orders

kisuaheli wort für wort für tansania kenia und uganda - Jun 01 2022

web jul 9 2018 kisuaheli wort für wort für tansania kenia und uganda kauderwelsch sprachführer von reise know how german edition kindle edition by friedrich

[kisuaheli wort für wort plus wörterbuch reise know how](#) - Jul 14 2023

web kisuaheli wort für wort plus wörterbuch reise know how sprachführer kauderwelsch band 10 friedrich christoph isbn 9783894167189 kostenloser versand für alle

kauderwelsch kisuaheli wort für wort amazon de - Dec 27 2021

web select the department you want to search in

kisuaheli wort für wort für tansania kenia und uganda - Feb 09 2023

web kisuaheli wort für wort für tansania kenia und uganda kauderwelsch sprachführer von reise know how 19 auflage kindle ausgabe von christoph friedrich autor

kisuaheli wort für wort für tansania kenia und uganda - May 12 2023

web sep 22 2022 rakuten kobo dan christoph friedrich tarafindan kiswaheli wort für wort für tansania kenia und uganda kauderwelsch sprachführer von reise know how

kiswaheli wort für wort für tansania kenia und uganda - Oct 05 2022

web kiswaheli wort für wort für tansania kenia und uganda kauderwelsch sprachführer von reise know how 10 friedrich christoph amazon com tr kitap

friedrich christoph kauderwelsch kiswaheli wort fuer wort audio - Aug 03 2022

web apr 14 2012 friedrich christoph kauderwelsch kiswaheli wort fuer wort audio rar file size 15 80 mb contains audio document s added by sslonikk

kiswaheli wort für wort plus wörterbuch reise know how - Jan 08 2023

web kiswaheli wort für wort plus wörterbuch reise know how sprachführer kauderwelsch band 10 friedrich christoph amazon com tr kitap

kauderwelsch kiswaheli wort für wort mit qr codes broschiert - Aug 15 2023

web kauderwelsch kiswaheli wort für wort mit qr codes friedrich christoph amazon de bücher christoph friedrich es wird kein kindle gerät benötigt lade eine der kostenlosen kindle apps herunter und beginne kindle bücher auf deinem smartphone tablet und

kauderwelsch kiswaheli wort fur wort pdf pdf black ortax - Sep 23 2021

web der kapit n heimdall turnerstick an der behauptet er k nne perfekt chinesisich sprechen indem er an alle worte einfach die endungen eng ing ong ung anh ngt und sich

kiswaheli wort für wort für tansania kenia und uganda - Dec 07 2022

web jul 9 2018 besonders hilfreich ist hierbei die wort für wort Übersetzung die es ermöglicht mit einem blick die struktur und denkwiese der jeweiligen sprache zu

kiswaheli wort für wort by christoph friedrich goodreads - Sep 04 2022

web kauderwelsch sprachführer 10kiswaheli wort für wort quite good i think agglutinating languages are very well suited for kauderwelsch books or vice versa

kauderwelsch kiswaheli wort fuer wort hardcover amazon com - Oct 25 2021

web kauderwelsch kiswaheli wort fuer wort on amazon com free shipping on qualifying offers kauderwelsch kiswaheli wort fuer wort

kauderwelsch kiswaheli wort für wort by christoph friedrich - Nov 06 2022

web aussprachtrainer zum kauderwelsch sprachführer kiswaheli swahili s gülck der aussprachetrainer zum kauderwelsch sprachführer ersetzt die cassettenausgabe von

christoph friedrich author of kisuaheli wort für wort goodreads - Jan 28 2022

web reise know how kauderwelsch kisuaheli wort für wort für tansania kenia und uganda kauderwelsch sprachführer band 10

kisuaheli wort für wort für tansania kenia und uganda - Jul 02 2022

web jul 9 2018 kisuaheli wort für wort für tansania kenia und uganda kauderwelsch sprachführer von reise know how friedrich christoph on amazon com free

anga cieux et le cina c ma de la lumia re a l i copy mail - Jul 13 2023

web historiques nous pensons ici au rôle de l esclavage et de la colonisation ce livre est un voyage dans le temps la première partie est consacrée à l univers psychologique et culturel de l enfant en afrique la deuxième s intéresse à l enfant africain dans un contexte de migration principalement en france les chroniques de player

[anga cieux et le cina c ma de la lumia re a l i](#) - Mar 29 2022

web 2 anga cieux et le cina c ma de la lumia re a l i 2019 12 06 verlag un jour d hiver bien gris un de ces jours où la seule chose à faire c est un bon curry la police débarque chez totonô alors que celui ci en est à émincer les oignons un crime a eu lieu dans le quartier et les inspecteurs ne trouvent rien de mieux à faire que de

anga cieux et le cina c ma de la lumia re a l i 2023 - Sep 15 2023

web anga cieux et le cina c ma de la lumia re a l i is available in our book collection an online access to it is set as public so you can download it instantly our book servers hosts in multiple locations allowing you to get the most less latency time to download any of our books like this one merely said the anga cieux et le cina c ma de

[anga cieux et le cina c ma de la lumia re a l i pdf](#) - May 31 2022

web jun 19 2023 we have the funds for below as with ease as review anga cieux et le cina c ma de la lumia re a l i pdf

what you considering to read anga cieux et le cina c ma de la lumia re a l i pdf web jun 2 2023 anga cieux et le cina c ma de la lumia re a l i pdf recognizing the quirk ways to get this books anga cieux et le cina c ma de la

[anga cieux et le cina c ma de la lumia re a l i book](#) - Oct 16 2023

web anga cieux et le cina c ma de la lumia re a l i title anga cieux et le cina c ma de la lumia re a l i book ead3 archivists org subject anga cieux et le cina c ma de la lumia re a l i book created date 11 1 2023 4 59 32 pm

[anga cieux et le cina c ma de la lumia re a l i pdf full pdf](#) - Feb 25 2022

web anga cieux et le cina c ma de la lumia re a l i pdf if you ally compulsion such a referred anga cieux et le cina c ma de la lumia re a l i pdf books that will allow you worth get the answer copy hi le mieux china is not a who le mieux china is a line of vintage 24k gold scroll design china created in france in the mid 20th

[anga cieux et le cina c ma de la lumia re a l i pdf copy](#) - Apr 29 2022

web anga c nioux et le cina c ma de la lumia re a l i pdf is available in our book collection an online access to it is set as public so you can get it instantly our book servers spans in multiple countries allowing you to get the most less latency time to download

singapore latest news coverage cna - Aug 02 2022

web sep 11 2023 israel hamas war billion dollar money laundering case china malaysia cna explains snap insight ukraine invasion wellness daily cuts all smiles with gplus dental 10 10 2023 32 mins

anga c nioux et le cina c ma de la lumia re a l i pdf pdf - Oct 04 2022

web may 28 2023 anga c nioux et le cina c ma de la lumia re a l i pdf recognizing the pretentiousness ways to get this book anga c nioux et le cina c ma de la lumia re a l i pdf is additionally useful you have remained in right site to start getting this info acquire the anga c nioux et le cina c ma de la lumia re a l i pdf associate that we

anga c nioux et le cina c ma de la lumia re a l i pdf pdf - Aug 14 2023

web il laisse en effet une oeuvre considérable sur les rites et cultes mortuaires les attitudes face au cadavre les conduites de deuil les rapports avec la mort et les morts les imaginaires thanatiques les mythes et les fantasmes eschatologiques

anga c nioux et le cina c ma de la lumia re a l i pdf pdf - Sep 03 2022

web anga c nioux et le cina c ma de la lumia re a l i pdf lumia re a l i pdf below who is le mieux china answers web nov 29 2010 study now see answer 1 best answer copy hi le mieux china is not a who le mieux china is a line of vintage 24k gold scroll design 2

anga c nioux et le cina c ma de la lumia re a l i pdf 2023 - Nov 05 2022

web jun 9 2023 anga c nioux et le cina c ma de la lumia re a l i pdf when somebody should go to the book stores search establishment by shop shelf by shelf it is in fact problematic this is why we mieux china is not a who le mieux china is a line of vintage 24k gold scroll design

anga c nioux et le cina c ma de la lumia re a l i pdf - Apr 10 2023

web anga c nioux et le cina c ma de la lumia re a l i cma cgm opts for lng fuelling on its latest ultra large container sep 23 2022 cinema est connu pour ses risques spectaculaires et ses resultats china 2023 best places to visit tripadvisor jun 08 2021 *anga c nioux et le cina c ma de la lumia re a l i pdf* - Jun 12 2023

web oct 21 2023 anga c nioux et le cina c ma de la lumia re a l i 1 4 downloaded from uniport edu ng on october 30 2023 by guest anga c nioux et le cina c ma de la lumia re a l i as recognized adventure as skillfully as experience virtually lesson amusement as without difficulty as

anga c nioux et le cina c ma de la lumia re a l i pdf book - Dec 06 2022

web anga c nioux et le cina c ma de la lumia re a l i pdf thank you utterly much for downloading anga c nioux et le cina c ma

de la lumia re a l i pdf maybe you have knowledge that people have look numerous time for their favorite books in the same way as this anga c nieux et le cina c ma de la lumia re a l i pdf but stop up in harmful

[anga c nieux et le cina c ma de la lumia re a l i pdf pdf](#) - Jan 07 2023

web jun 21 2023 anga c nieux et le cina c ma de la lumia re a l i pdf if you ally compulsion such a referred anga c nieux et le cina c ma de la lumia re a l i pdf book that will offer you worth acquire the totally best seller from us currently from several preferred authors

les mae chinois et sri lankais se rencontrent en marge de la session de - Feb 08 2023

web sep 25 2022 les mae chinois et sri lankais se rencontrent en marge de la session de l agnu partager dernieres infos plan du site d'Écouver plus notre politique de confidentialité révisée et nos conditions d utilisation

[le mae chinois rencontre son homologue britannique en marge de l](#) - Mar 09 2023

web sep 22 2022 tÉlÉcharger notre app copyright 2020 cgtn beijing icp prepared no 16065310 3

latest singapore news and headlines cna - Jul 01 2022

web latest singapore news breaking news top stories on courts crime housing property health transport education as well as videos and features on cna

[anga c nieux et le cina c ma de la lumia re a l i pdf](#) - May 11 2023

web oct 12 2023 anga c nieux et le cina c ma de la lumia re a l i 3 6 downloaded from uniport edu ng on october 12 2023 by guest voyage de la corvette l astrolabe executé par ordre du roi pendant les années 1826 1827 1828 1829 jules sébastien césar dumont d urville 1831 la revue de paris 1842