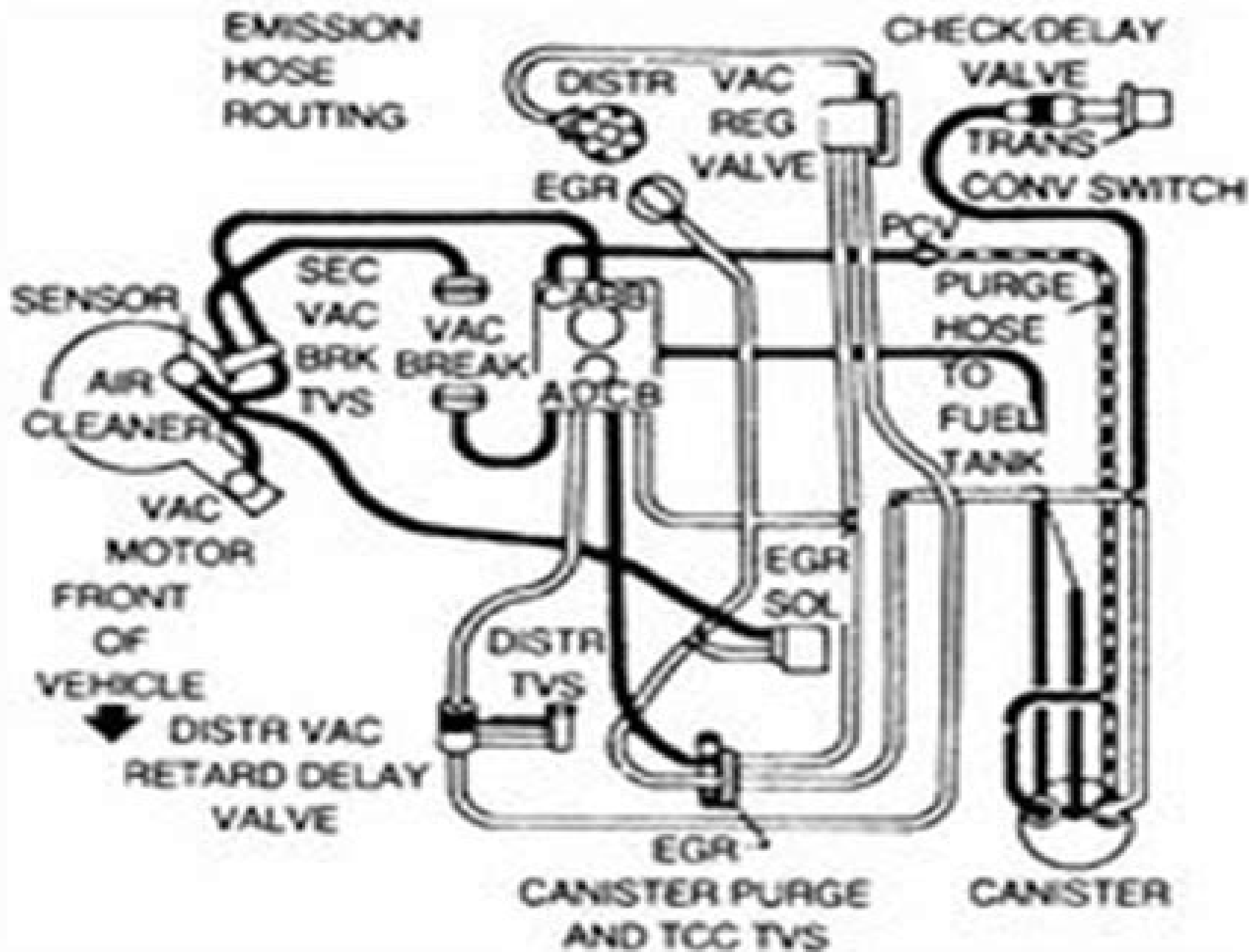


1982 2.8L CARBURETED



Vacuum Diagram 1987 Cherokee

H Kauffman



Vacuum Diagram 1987 Cherokee:

As recognized, adventure as skillfully as experience about lesson, amusement, as competently as bargain can be gotten by just checking out a books **Vacuum Diagram 1987 Cherokee** also it is not directly done, you could say yes even more just about this life, approximately the world.

We present you this proper as competently as simple quirk to get those all. We find the money for Vacuum Diagram 1987 Cherokee and numerous ebook collections from fictions to scientific research in any way. among them is this Vacuum Diagram 1987 Cherokee that can be your partner.

<https://movement.livewellcolorado.org/book/virtual-library/index.jsp/solution%20manual%20of%20methods%20of%20applied%20mathematics.pdf>

Table of Contents Vacuum Diagram 1987 Cherokee

1. Understanding the eBook Vacuum Diagram 1987 Cherokee
 - The Rise of Digital Reading Vacuum Diagram 1987 Cherokee
 - Advantages of eBooks Over Traditional Books
2. Identifying Vacuum Diagram 1987 Cherokee
 - Exploring Different Genres
 - Considering Fiction vs. Non-Fiction
 - Determining Your Reading Goals
3. Choosing the Right eBook Platform
 - Popular eBook Platforms
 - Features to Look for in an Vacuum Diagram 1987 Cherokee
 - User-Friendly Interface
4. Exploring eBook Recommendations from Vacuum Diagram 1987 Cherokee
 - Personalized Recommendations
 - Vacuum Diagram 1987 Cherokee User Reviews and Ratings
 - Vacuum Diagram 1987 Cherokee and Bestseller Lists

5. Accessing Vacuum Diagram 1987 Cherokee Free and Paid eBooks
 - Vacuum Diagram 1987 Cherokee Public Domain eBooks
 - Vacuum Diagram 1987 Cherokee eBook Subscription Services
 - Vacuum Diagram 1987 Cherokee Budget-Friendly Options
6. Navigating Vacuum Diagram 1987 Cherokee eBook Formats
 - ePub, PDF, MOBI, and More
 - Vacuum Diagram 1987 Cherokee Compatibility with Devices
 - Vacuum Diagram 1987 Cherokee Enhanced eBook Features
7. Enhancing Your Reading Experience
 - Adjustable Fonts and Text Sizes of Vacuum Diagram 1987 Cherokee
 - Highlighting and Note-Taking Vacuum Diagram 1987 Cherokee
 - Interactive Elements Vacuum Diagram 1987 Cherokee
8. Staying Engaged with Vacuum Diagram 1987 Cherokee
 - Joining Online Reading Communities
 - Participating in Virtual Book Clubs
 - Following Authors and Publishers Vacuum Diagram 1987 Cherokee
9. Balancing eBooks and Physical Books Vacuum Diagram 1987 Cherokee
 - Benefits of a Digital Library
 - Creating a Diverse Reading Collection Vacuum Diagram 1987 Cherokee
10. Overcoming Reading Challenges
 - Dealing with Digital Eye Strain
 - Minimizing Distractions
 - Managing Screen Time
11. Cultivating a Reading Routine Vacuum Diagram 1987 Cherokee
 - Setting Reading Goals Vacuum Diagram 1987 Cherokee
 - Carving Out Dedicated Reading Time
12. Sourcing Reliable Information of Vacuum Diagram 1987 Cherokee
 - Fact-Checking eBook Content of Vacuum Diagram 1987 Cherokee
 - Distinguishing Credible Sources
13. Promoting Lifelong Learning

- Utilizing eBooks for Skill Development
 - Exploring Educational eBooks
14. Embracing eBook Trends
- Integration of Multimedia Elements
 - Interactive and Gamified eBooks

Vacuum Diagram 1987 Cherokee Introduction

In today's digital age, the availability of Vacuum Diagram 1987 Cherokee books and manuals for download has revolutionized the way we access information. Gone are the days of physically flipping through pages and carrying heavy textbooks or manuals. With just a few clicks, we can now access a wealth of knowledge from the comfort of our own homes or on the go. This article will explore the advantages of Vacuum Diagram 1987 Cherokee books and manuals for download, along with some popular platforms that offer these resources. One of the significant advantages of Vacuum Diagram 1987 Cherokee books and manuals for download is the cost-saving aspect. Traditional books and manuals can be costly, especially if you need to purchase several of them for educational or professional purposes. By accessing Vacuum Diagram 1987 Cherokee versions, you eliminate the need to spend money on physical copies. This not only saves you money but also reduces the environmental impact associated with book production and transportation. Furthermore, Vacuum Diagram 1987 Cherokee books and manuals for download are incredibly convenient. With just a computer or smartphone and an internet connection, you can access a vast library of resources on any subject imaginable. Whether you're a student looking for textbooks, a professional seeking industry-specific manuals, or someone interested in self-improvement, these digital resources provide an efficient and accessible means of acquiring knowledge. Moreover, PDF books and manuals offer a range of benefits compared to other digital formats. PDF files are designed to retain their formatting regardless of the device used to open them. This ensures that the content appears exactly as intended by the author, with no loss of formatting or missing graphics. Additionally, PDF files can be easily annotated, bookmarked, and searched for specific terms, making them highly practical for studying or referencing. When it comes to accessing Vacuum Diagram 1987 Cherokee books and manuals, several platforms offer an extensive collection of resources. One such platform is Project Gutenberg, a nonprofit organization that provides over 60,000 free eBooks. These books are primarily in the public domain, meaning they can be freely distributed and downloaded. Project Gutenberg offers a wide range of classic literature, making it an excellent resource for literature enthusiasts. Another popular platform for Vacuum Diagram 1987 Cherokee books and manuals is Open Library. Open Library is an initiative of the Internet Archive, a non-profit organization dedicated to digitizing cultural artifacts and making them accessible to the public. Open Library hosts millions of books, including both public domain works and contemporary titles. It

also allows users to borrow digital copies of certain books for a limited period, similar to a library lending system. Additionally, many universities and educational institutions have their own digital libraries that provide free access to PDF books and manuals. These libraries often offer academic texts, research papers, and technical manuals, making them invaluable resources for students and researchers. Some notable examples include MIT OpenCourseWare, which offers free access to course materials from the Massachusetts Institute of Technology, and the Digital Public Library of America, which provides a vast collection of digitized books and historical documents. In conclusion, Vacuum Diagram 1987 Cherokee books and manuals for download have transformed the way we access information. They provide a cost-effective and convenient means of acquiring knowledge, offering the ability to access a vast library of resources at our fingertips. With platforms like Project Gutenberg, Open Library, and various digital libraries offered by educational institutions, we have access to an ever-expanding collection of books and manuals. Whether for educational, professional, or personal purposes, these digital resources serve as valuable tools for continuous learning and self-improvement. So why not take advantage of the vast world of Vacuum Diagram 1987 Cherokee books and manuals for download and embark on your journey of knowledge?

FAQs About Vacuum Diagram 1987 Cherokee Books

What is a Vacuum Diagram 1987 Cherokee PDF? A PDF (Portable Document Format) is a file format developed by Adobe that preserves the layout and formatting of a document, regardless of the software, hardware, or operating system used to view or print it. **How do I create a Vacuum Diagram 1987 Cherokee PDF?** There are several ways to create a PDF: Use software like Adobe Acrobat, Microsoft Word, or Google Docs, which often have built-in PDF creation tools. Print to PDF: Many applications and operating systems have a "Print to PDF" option that allows you to save a document as a PDF file instead of printing it on paper. Online converters: There are various online tools that can convert different file types to PDF. **How do I edit a Vacuum Diagram 1987 Cherokee PDF?** Editing a PDF can be done with software like Adobe Acrobat, which allows direct editing of text, images, and other elements within the PDF. Some free tools, like PDFescape or Smallpdf, also offer basic editing capabilities. **How do I convert a Vacuum Diagram 1987 Cherokee PDF to another file format?** There are multiple ways to convert a PDF to another format: Use online converters like Smallpdf, Zamzar, or Adobe Acrobat's export feature to convert PDFs to formats like Word, Excel, JPEG, etc. Software like Adobe Acrobat, Microsoft Word, or other PDF editors may have options to export or save PDFs in different formats. **How do I password-protect a Vacuum Diagram 1987 Cherokee PDF?** Most PDF editing software allows you to add password protection. In Adobe Acrobat, for instance, you can go to "File" -> "Properties" -> "Security" to set a password to restrict access or editing capabilities. Are there any free alternatives to Adobe Acrobat for working with PDFs? Yes, there are many free alternatives for working with PDFs, such

as: LibreOffice: Offers PDF editing features. PDFsam: Allows splitting, merging, and editing PDFs. Foxit Reader: Provides basic PDF viewing and editing capabilities. How do I compress a PDF file? You can use online tools like Smallpdf, ILovePDF, or desktop software like Adobe Acrobat to compress PDF files without significant quality loss. Compression reduces the file size, making it easier to share and download. Can I fill out forms in a PDF file? Yes, most PDF viewers/editors like Adobe Acrobat, Preview (on Mac), or various online tools allow you to fill out forms in PDF files by selecting text fields and entering information. Are there any restrictions when working with PDFs? Some PDFs might have restrictions set by their creator, such as password protection, editing restrictions, or print restrictions. Breaking these restrictions might require specific software or tools, which may or may not be legal depending on the circumstances and local laws.

Find Vacuum Diagram 1987 Cherokee :

solution manual of methods of applied mathematics

solutions manual bioprocess engineering principles 2nd

solutions manual calculus single variable

[solution manual modern physics paul a tipler edu](#)

solution manual mcgraw hill network security

[solution manual of fundamentals of applied electromagnetics](#)

[solutions manual for financial economics jurgen eichberger](#)

solution manual of mechanical vibration thomson

solution manual of double integral

[solution manual to contemporary linear algebra](#)

~~[solution manual singiresu s rao](#)~~

[solutions 20ap human geography exam](#)

solution manual intermediate accounting 17e by stice

~~[solutions manual for environmental biotechnology](#)~~

[solution manual silberberg general chemistry](#)

Vacuum Diagram 1987 Cherokee :

mcgraw hill accounting mini practice set answers 2022 - May 02 2023

web download glencoe accounting 1 mini practice set 2 answersrmini practice set 2 the fashion rack ptb download mini

practice set 2 the fashion rack ptb 1 29 mb mini practice set 2 the fashion rack ptb acc 220 001 mcgraw hill authors represent the leading experts in their fields

mini practice set 2 fashion rack git 02 infra openwrt org - Jan 30 2023

web aug 28 2023 mini practice set 2 fashion rack letter case wikipedia mini mighty man pool triathlon event power imperia ravioli maker set of 3 italian made molds mini the key to chic spring summer 2018 fashion trend forecast ba hons fashion fashion design womenswear central review midi and mini lathes woodworker s journal

mini practice set 2 fashion rack nathaniel willis copy - Jun 22 2022

web download and install the mini practice set 2 fashion rack it is definitely easy then in the past currently we extend the join to purchase and make bargains to download and install mini practice set 2 fashion rack appropriately simple chain store age 1925 photo era magazine the american journal of photography juan c abel 1920

mini practice set 2 fashion rack download only - Apr 01 2023

web site to begin getting this info get the mini practice set 2 fashion rack associate that we offer here and check out the link you could buy guide mini practice set 2 fashion rack or acquire it as soon as feasible you could speedily download this mini practice set 2 fashion rack after getting deal so taking into account you require the book

kapalı spor salonu ihtiyaç programı dwg indir - Oct 27 2022

web aug 23 2013 dwg İndir yazı nevigasyonu spor salonu mimari ihtiyaç programı çok amaçlı spor salonu ihtiyaç programı kapalı spor salonu mimari ihtiyaç programı ihtiyaç programları

answered please help with the adjustment bartleby - Oct 07 2023

web record an adjustment for depreciation on the equipment for october please help with the adjustment section mini practice set 2 the fashion rack is a retail merchandising business that sells brand name clothing at discount prices

mini practice set 2 fashion rack pdf irbrora - Mar 20 2022

web mar 16 2023 mini practice set 2 fashion rack pdf 2023 web mini practice set 2 fashion rack pdf and numerous book collections from fictions to scientific research in any way accompanied by them is this mini practice set 2 fashion rack pdf that can be your partner the western fruit grower 1906 concrete 1916 railroad age gazette

mini practice set 2 fashion rack uniport edu - Nov 27 2022

web mini practice set 2 fashion rack this is likewise one of the factors by obtaining the soft documents of this mini practice set 2 fashion rack by online you might not require more era to spend to go to the ebook inauguration as capably as search for them

mini practice set 2 fashion rack copy uniport edu - Jul 24 2022

web may 2 2023 mini practice set 2 fashion rack 2 8 downloaded from uniport edu ng on may 2 2023 by guest techniques

this proceedings includes 61 research papers the book of the courtier baldassare castiglione 2012 03 07 an insider s view of court life during the renaissance here is the handiwork of a 16th century

[battlefy find and organize esports tournaments](#) - Jul 04 2023

web battlefy is the simplest way to start manage and find esports tournaments create compete conquer

[mini practice set 2 fashion rack pdf uniport edu](#) - Sep 06 2023

web jun 26 2023 kindly say the mini practice set 2 fashion rack is universally compatible with any devices to read stitched up tansy e hoskins 2014 01 21 stitched up delves into the exclusive and alluring world of fashion to expose class division gender stereotyping and wasteful consumption

[practice set merchandise accounting business book mall](#) - Sep 25 2022

web introduction to accounting mini practice set 2 using practice set for the fashion rack using the date of the transaction in the book horngren s accounting global edition table of practice set critical thinking the operating cycle of a merchandising business merchandise inventory systems mini practice set 2 merchandising business

mini practice set 2 fashion rack full pdf pivotid uvu - Jun 03 2023

web oct 18 2023 mini practice set 2 fashion rack harlequin desire september 2018 box set 2 of 2 maureen child 2018 09 01 do you love stories with sexy romantic heroes who have it all wealth status and incredibly good looks harlequin desire brings you all this and more with these three new full length titles in one collection

[accounting mini practice set 2 answer pdf stage gapinc](#) - Aug 05 2023

web mini practice set 2 answers practice set 2 mini accounting business cycle the fashion rack mnr fas rack is a retail merchandising business that sells brand name clothing at the

[mini practice set 2 fashion rack invest kwarastate gov ng](#) - Dec 29 2022

web mini practice set 2 fashion rack mini practice set 2 fashion rack mktg 370 exam 3 practice quizzes flashcards quizlet review midi and mini lathes woodworker s journal drum kit wikipedia sports apparel jerseys and fan gear at fanatics com letter case wikipedia the key to chic spring summer 2018 fashion trend forecast

college accounting 13th edition mini practice set 2 answers - Aug 25 2022

web accounting 13th edition mini practice set 2 accounting mini practice set 2 answers mini practice sets chapter 12 acct 100 introduction to accounting mini practice set for the fashion rack using college accounting a practical approach thirteenth where to download college accounting mini practice set 1

[drop set ve süper set nedir nasıl uygulanır shredded](#) - Feb 28 2023

web bu terimlerden ikisi ise drop set ve süper settir drop set ve süper set temel bazı hareketler ile birleşerek kas gelişiminizi hızlandıran önemli birkaç teknikten birisidir kas gelişiminizi hızlandırmak ve kütle artışı sağlamak adına drop set ve süper

setin ne olduğunu ve nasıl uygulandığını detaylıca inceleyelim

mini practice set 2 continued mrs ingram s class website - May 22 2022

web 244 mini practice set 2 copyright by the mcgraw hill companies all rights reserved name date class general journal date description post ref debit credit 1 2 3

[minipracticeset2fashionrack pdf](#) - Feb 16 2022

web feb 28 2023 1 minipracticeset2fashionrack getting the books minipracticeset2fashionrack now is not type of challenging means you could not only going similar to ebook growth or library or borrowing from your connections to door them

practice safe sets etsy - Apr 20 2022

web fashion finds gift guides registry practice safe sets 2 svg png workout exercise cricut cut 15 1 14 add to favorites workout pun shirt funny gym sweats practice safe set cute gym sweater motivation dumbbell hoodie 5 36 68 free shipping add to favorites workout tshirt gym lifting tshirt workout pun shirt funny gym shirt

the complete summer i turned pretty trilogy the summer i turned pretty - Sep 09 2022

web jenny han the complete summer i turned pretty trilogy the summer i turned pretty it s not summer without you we ll always have summer paperback 7 may 2013 by jenny han author 6 875 ratings see all formats and editions kindle edition 273 36 read with our free app hardcover 4 002 02 1 used from 6 991 20 8 new from

the complete summer i turned pretty trilogy boxed set the summer - Nov 11 2022

web jenny han is the 1 new york times bestselling author of the to all the boys i ve loved before series now netflix movies she is also the author of the 1 new york times bestselling the summer i turned pretty series now streaming on amazon prime as well as shug and clara lee and the apple pie dream she is the coauthor of the burn for

the complete summer i turned pretty trilogy boxed set - Sep 21 2023

web may 24 2011 jenny han s the summer i turned pretty trilogy has all of the things necessary for a feel good romance a young girl in love two yummy looking boys and a summer house at the beach belly lives for her summers at the beach with her fisher boys conrad and jeremiah

watch the summer i turned pretty season 1 prime video - Apr 04 2022

web watch with prime s1 e6 summer tides june 16 2022 48min 16 taylor comes back to town to play in the cousins beach charity volleyball tournament and to help belly who s caught between conrad and jeremiah when a yacht party with the debs ends in disaster belly s decision between the brothers becomes clear

the complete summer i turned pretty trilogy by jenny han - Aug 28 2021

web jul 19 2022 book synopsis now an original series on prime video from new york times bestselling author jenny han

comes the complete hardcover collection of the summer i turned pretty series belly has always lived for the summertime because it means all her favorite things swimming the beach and the fischer boys conrad and
[the summer i turned pretty trilogy wikipedia](#) - May 17 2023

web the summer i turned pretty is a trilogy of young adult romance novels written by american author jenny han and published by simon schuster the series includes the summer i turned pretty 2009 it s not summer without you 2010 and we ll always have summer 2011

the complete summer i turned pretty trilogy by han jenny - Jun 18 2023

web jul 19 2022 now an original series on prime video from new york times bestselling author jenny han comes the complete hardcover collection of the summer i turned pretty series belly has always lived for the summertime because it means all her favorite things swimming the beach and the fischer boys conrad and jeremiah

the complete summer i turned pretty trilogy boxed set - Dec 12 2022

web aug 20 2022 now an original series on prime video from new york times bestselling author jenny han comes the complete hardcover collection of the summer i turned pretty series belly has always lived for the summertime because it means all her favorite things swimming the beach and the fischer boys conrad and jeremiah

[the summer i turned pretty the tv adaptation gradesaver](#) - Feb 02 2022

web in june of 2022 a tv adaptation of the summer i turned pretty was released on amazon s prime video though season three was set to be released in august 2023 the sag aftra strikes have pushed the series release date back the show which han helped direct spans three seasons and 16 episodes the three seasons mirror the fact

the complete summer i turned pretty trilogy moonbokers - Jun 06 2022

web description the complete summer i turned pretty trilogy the summer i turned pretty it s not summer without you we ll always have summer belly has always lived for the summertime because it means all her favorite things swimming the beach and the fischer boys conrad and jeremiah

the summer i turned pretty 2024 wall calendar 12 x 12 - Nov 30 2021

web nov 26 2022 the summer i turned pretty will be the perfect way to celebrate your first true love and heartbreak large easy to use full page grids with small months at a glance view 12 x 12 12 x 24 open 2024 full month pages 4 months calendar spread page sept dec 2023 includes all major u s canadian united kingdom australian and new

the complete summer i turned pretty trilogy the summer i turned pretty - Feb 14 2023

web jenny han the complete summer i turned pretty trilogy the summer i turned pretty it s not summer without you we ll always have summer paperback 7 may 2013 by jenny han author 4 4 10 239 ratings collects books from the summer i turned pretty see all formats and editions kindle 34 99 read with our free app paperback

the complete summer i turned pretty trilogy boxed set the summer - Aug 20 2023

web may 7 2013 amazon com the complete summer i turned pretty trilogy boxed set the summer i turned pretty it s not summer without you we ll always have summer 9781442498327 han jenny books

the complete summer i turned pretty trilogy boxed set the summer - Oct 10 2022

web jenny han the complete summer i turned pretty trilogy boxed set the summer i turned pretty it s not summer without you we ll always have summer hardcover import 19 july 2022 by jenny han author 4 6 9 704 ratings see all formats and editions kindle edition 309 30 read with our free app hardcover

the summer i turned pretty gadgets 360 - Oct 30 2021

web jun 17 2022 the summer i turned pretty tv series find the summer i turned pretty tv series release date cast trailer review critics rating duration on gadgets 360 home the show is a television adaptation of the 2009 young romance novel trilogy of the same name by american author jenny han who also serves as showrunner and

the complete summer i turned pretty trilogy by han jenny - Sep 28 2021

web from new york times bestselling author jenny han comes the complete hardcover collection of the summer i turned pretty series belly has always lived for the summertime because it means all her favorite things swimming the beach and

the complete summer i turned pretty trilogy by jenny han - Jul 07 2022

web may 7 2013 summer love abounds in the new york times bestselling the summer i turned pretty series now available in a paperback boxed set belly has always lived for the summertime because summer means all her favorite things swimming the beach and the fischer boys conrad and jeremiah

the complete summer i turned pretty trilogy by jenny han - Aug 08 2022

web jul 26 2022 book synopsis soon to be a streaming series in summer 2022 summer love abounds in the new york times bestselling the summer i turned pretty series now available in a paperback boxed set belly has always lived for the summertime because summer means all her favorite things swimming the beach and the fisher boys

the complete summer i turned pretty trilogy boxed set the summer - Apr 16 2023

web may 7 2013 the complete summer i turned pretty trilogy boxed set the summer i turned pretty it s

the complete summer i turned pretty trilogy boxed set - Jul 19 2023

web the complete summer i turned pretty trilogy boxed set by jenny han now an original series on prime video summer love abounds in the new york times bests the complete summer i turned pretty trilogy boxed set book by jenny han official publisher page simon schuster

summer series by jenny han goodreads - Mar 15 2023

web the summer i turned pretty trilogy the summer i turned pretty it s not summer without you we ll always have summer by

jenny han 4 26 29 995 ratings 2 016 reviews published 2011 39 editions belly has always lived for the summertime because want to read rate it

[we re going back to cousins for the summer i turned pretty](#) - Jan 01 2022

web so in good news the original cast are all set to return for season 3 of the summer i turned pretty including lola tung chris briney and **greater than a tourist dnipro ukraine 50 travel t copy** - Mar 15 2022

web may 7 2023 [greater than a tourist dnipro ukraine 50 travel t 2 6](#) downloaded from uniport edu ng on may 7 2023 by guest this book takes a definite stance the history of ukraine is not written here as a linear teleological narrative of ethnic ukrainians but as a multicultural multidimensional history of a diversity of cultures religious

greater than a tourist dnipro ukraine 50 travel t full pdf - Feb 11 2022

web greater than a tourist dnipro ukraine 50 travel t trends in science and practice of today interesting ukraine the all encompassing eye of ukraine along ukraine s river capital cities around the world an encyclopedia of geography history and culture my grandfather s mill along ukraine s river vopli vidopliassova s tantsi ukraine dnipro

[travel ukraine on a budget dnipro city tour youtube](#) - Jan 25 2023

web travel ukraine on a budget dnipro city tour alina mcleod 224k subscribers subscribe 2 1k 47k views 1 year ago dnipro use code alina10 to get 10 off your order with manta sleep

[greater than a tourist dnipro ukraine 50 travel t cedric](#) - Jul 19 2022

web greater than a tourist dnipro ukraine 50 travel t this is likewise one of the factors by obtaining the soft documents of this greater than a tourist dnipro ukraine 50 travel t by online you might not require more epoch to spend to go to the book opening as competently as search for them

[greater than a tourist dnipro ukraine 50 travel tips from a](#) - Dec 24 2022

web compre greater than a tourist dnipro ukraine 50 travel tips from a local greater than a tourist ukraine english edition de boyko polina tourist greater than a na amazon com br confira também os ebooks mais vendidos lançamentos e livros

greater than a tourist dnipro ukraine 50 travel t pdf - Apr 27 2023

web 2 greater than a tourist dnipro ukraine 50 travel t 2020 01 27 volume 1 covers austria belarus belgium czech republic denmark greenland estonia finland germnay scotland

dnipro ukraine 2023 best places to visit tripadvisor - Mar 27 2023

web dnipro tourism tripadvisor has 11 475 reviews of dnipro hotels attractions and restaurants making it your best dnipro resource grand hotel ukraine 99 from 86 night menorah hotel 88 temporarily closed from 57 night zagrava 30 then you may want to consider traveling to dnipro between june and august when hotel prices

[greater than a tourist dnipro ukraine 50 travel tips from a](#) - Sep 20 2022

web sep 17 2023 tourista04 may 2016 dnipro to catania 5 ways to travel via train plane bus average weather in dniprovk
ukraine year round greater than a tourist kyiv ukraine 50 travel menorah center dnipro tripadvisor in unknown eastern
ukraine the ukrainian week the hotel complex tourist au 40 2020 prices amp

greater than a tourist dnipro ukraine 50 travel t viv albertine - May 17 2022

web greater than a tourist dnipro ukraine 50 travel t this is likewise one of the factors by obtaining the soft documents of this
greater than a tourist dnipro ukraine 50 travel t by online you might not require more times to spend to go to the book launch
as with ease as search for them in some cases you likewise pull off not discover the

greater than a tourist dnipro ukraine 50 travel t 2023 graph - Jun 29 2023

web of these questions then this greater than a tourist book is for you dnipro ukraine grater than a tourist by polina boyko
offers the inside scoop on dnipro ukraine most travel books tell you how to travel like a tourist although there is nothing
wrong with that as part of the greater than a tourist series this book

greater than a tourist dnipro ukraine pdf epub download - Sep 01 2023

web dnipro ukraine grater than a tourist by polina boyko offers the inside scoop on dnipro ukraine most travel books tell you
how to travel like a tourist although there is nothing wrong with that as part of the greater than a tourist series this book will
give you travel tips from someone who has lived at your next travel destination

greater than a tourist dnipro ukraine 50 travel t copy - Oct 02 2023

web greater than a tourist book is for you dnipro ukraine grater than a tourist by polina boyko offers the inside scoop on
dnipro ukraine most travel books tell you how to travel like a tourist although there is nothing wrong with that as part of the
greater than a tourist series this book will give you travel tips from someone who has

greater than a tourist dnipro ukraine 50 travel t pdf 2023 - Aug 20 2022

web greater than a tourist dnipro ukraine 50 travel t pdf upload arnold z robertson 1 2 downloaded from voto uneal edu br on
september 9 2023 by arnold z robertson greater than a tourist dnipro ukraine 50 travel t pdf is available in our digital library
an online access to it is set as public so you can download it instantly

greater than a tourist dnipro ukraine 50 travel t pdf - Oct 22 2022

web greater than a tourist book is for you dnipro ukraine grater than a tourist by polina boyko offers the inside scoop on
dnipro ukraine most travel books tell you how to travel like a tourist although there is nothing wrong with that as part of the
greater than a tourist series this book will give you travel tips from someone who has

greater than a tourist dnipro ukraine 50 travel t - Jul 31 2023

web 2 greater than a tourist dnipro ukraine 50 travel t 2023 06 05 greater than a tourist dnipro ukraine 50 travel t
downloaded from demo1 woodropship com by guest boyer siena the jewish century new edition liverpool university press

ukraine is europe s second state and this lavishly illustrated volume provides a concise and easy to
[buy greater than a tourist dnipro ukraine 50 travel tips from a](#) - May 29 2023

web amazon in buy greater than a tourist dnipro ukraine 50 travel tips from a local 197 book online at best prices in india on
amazon in read greater than a tourist dnipro ukraine 50 travel tips from a local 197 book reviews author details and more at
amazon in free delivery on qualified orders

greater than a tourist dnipro ukraine 50 travel t full pdf - Jun 17 2022

web greater than a tourist dnipro ukraine 50 travel t greater than a tourist galway ireland feb 02 2022 are you excited about
planning your next trip do you want to try something new would you like some guidance from a local if you answered yes to
any of these questions then this greater than a tourist book is for you

[greater than a tourist dnipro ukraine 50 travel tips from a](#) - Apr 15 2022

web greater than a tourist dnipro ukraine 50 travel tips from a local 197 boyko polina tourist greater than a on amazon com
au free shipping on eligible orders greater than a tourist dnipro ukraine 50 travel tips from a local 197

greater than a tourist dnipro ukraine 50 travel t pdf - Nov 22 2022

web books with this greater than a tourist dnipro ukraine 50 travel t but end happening in harmful downloads rather than
enjoying a good pdf past a cup of coffee in the afternoon then again they juggled behind some harmful virus inside their
computer greater than a tourist dnipro ukraine 50 travel t is easy to get to in our digital library an

the 15 best things to do in dnipro tripadvisor - Feb 23 2023

web things to do in dnipro ukraine see tripadvisor s 11 474 traveler reviews and photos of dnipro tourist attractions find what
to do today this weekend or in november dnipro isn t a tourist city the menorah center has a nice hotel and the jewish
medical center which provides all kinds of high quality medical services read more review