

Wire colours

Bt	Blue	Li	Purple
Br	Brown	Wt	White
Gr	Yellow	Or	Orange
Dr	Gray	Rd	Red
Grn	Green	Sw	Black

Key to items

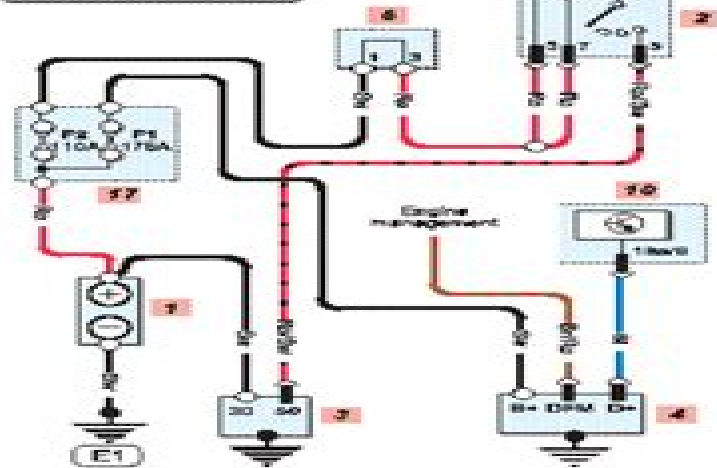
- 1 Battery
- 2 Ignition switch
- 3 Starter motor
- 4 Alternator
- 5 Passenger compartment fusebox
- 6 Terminal 30 junction
- 7 Steering wheel clock springs
- 8 Horn switch
- 9 Horn

- 10 Electrical system control unit
- 11 Cigar lighter
- 12 Heater blower switch
- a = fresh air/fresh air flap switch
- b = fresh air/fresh air flap warning lamp
- c = switch illumination
- d = heater blower switch
- e = control unit
- 13 Heater blower motor

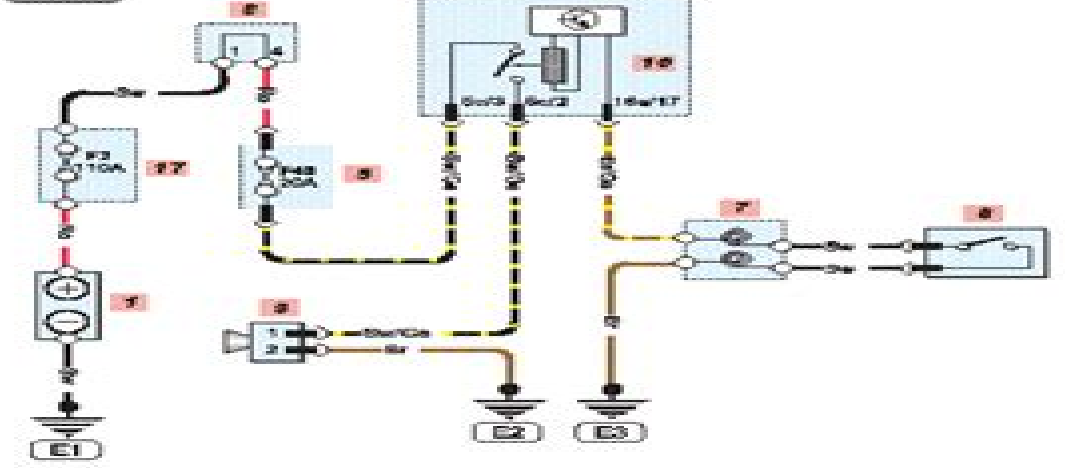
Diagram 2

1401000

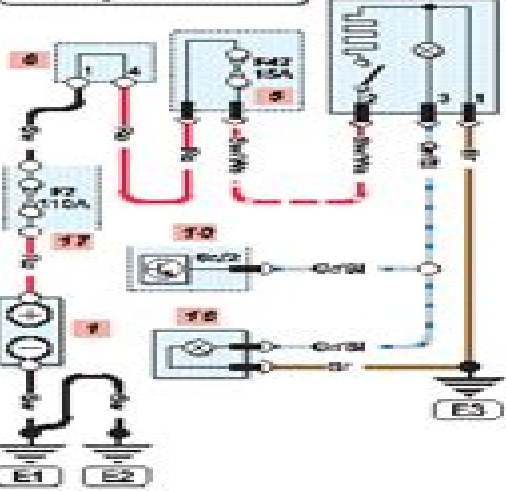
Starting & charging



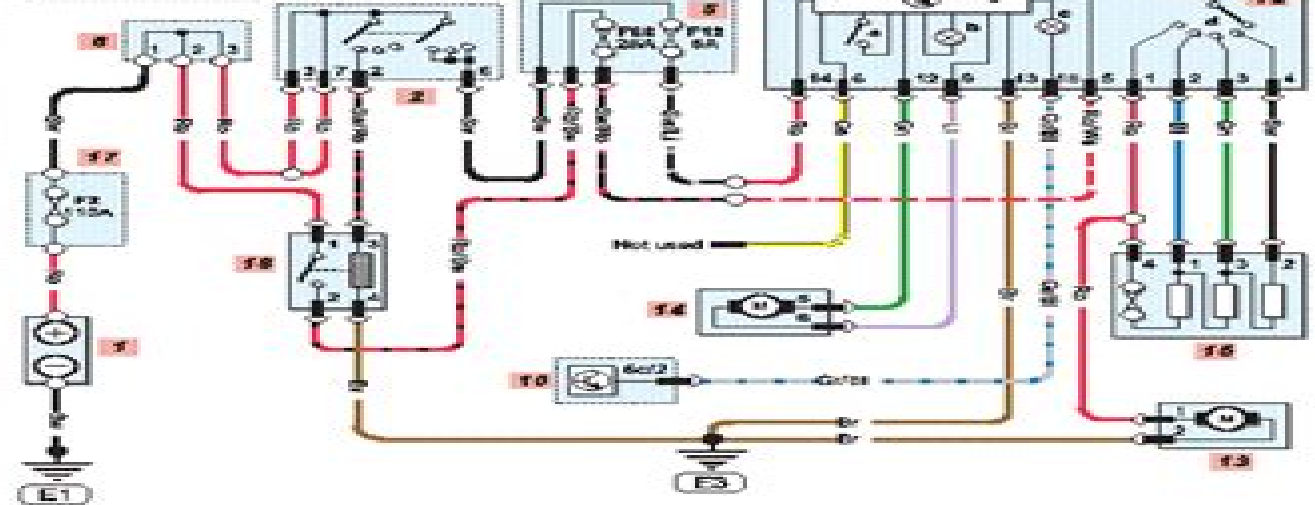
Horn



Cigar lighter & ashtray illumination



Heater blower



Skoda Octavia Wiring Diagram Engine

SA Adler



Skoda Octavia Wiring Diagram Engine:

Unveiling the Energy of Verbal Art: An Mental Sojourn through **Skoda Octavia Wiring Diagram Engine**

In a global inundated with displays and the cacophony of quick interaction, the profound energy and emotional resonance of verbal artistry often fade in to obscurity, eclipsed by the regular onslaught of sound and distractions. Yet, set within the musical pages of **Skoda Octavia Wiring Diagram Engine**, a captivating function of literary brilliance that impulses with organic thoughts, lies an unforgettable trip waiting to be embarked upon. Penned by a virtuoso wordsmith, that magical opus books viewers on a psychological odyssey, delicately exposing the latent potential and profound impact embedded within the delicate internet of language. Within the heart-wrenching expanse of this evocative examination, we can embark upon an introspective exploration of the book is key themes, dissect their fascinating publishing model, and immerse ourselves in the indelible impression it leaves upon the depths of readers souls.

<https://movement.livewellcolorado.org/About/uploaded-files/Documents/Tshepong%20Mine%20Learnership.pdf>

Table of Contents Skoda Octavia Wiring Diagram Engine

1. Understanding the eBook Skoda Octavia Wiring Diagram Engine
 - The Rise of Digital Reading Skoda Octavia Wiring Diagram Engine
 - Advantages of eBooks Over Traditional Books
2. Identifying Skoda Octavia Wiring Diagram Engine
 - Exploring Different Genres
 - Considering Fiction vs. Non-Fiction
 - Determining Your Reading Goals
3. Choosing the Right eBook Platform
 - Popular eBook Platforms
 - Features to Look for in an Skoda Octavia Wiring Diagram Engine
 - User-Friendly Interface
4. Exploring eBook Recommendations from Skoda Octavia Wiring Diagram Engine
 - Personalized Recommendations

- Skoda Octavia Wiring Diagram Engine User Reviews and Ratings
- Skoda Octavia Wiring Diagram Engine and Bestseller Lists
- 5. Accessing Skoda Octavia Wiring Diagram Engine Free and Paid eBooks
 - Skoda Octavia Wiring Diagram Engine Public Domain eBooks
 - Skoda Octavia Wiring Diagram Engine eBook Subscription Services
 - Skoda Octavia Wiring Diagram Engine Budget-Friendly Options
- 6. Navigating Skoda Octavia Wiring Diagram Engine eBook Formats
 - ePub, PDF, MOBI, and More
 - Skoda Octavia Wiring Diagram Engine Compatibility with Devices
 - Skoda Octavia Wiring Diagram Engine Enhanced eBook Features
- 7. Enhancing Your Reading Experience
 - Adjustable Fonts and Text Sizes of Skoda Octavia Wiring Diagram Engine
 - Highlighting and Note-Taking Skoda Octavia Wiring Diagram Engine
 - Interactive Elements Skoda Octavia Wiring Diagram Engine
- 8. Staying Engaged with Skoda Octavia Wiring Diagram Engine
 - Joining Online Reading Communities
 - Participating in Virtual Book Clubs
 - Following Authors and Publishers Skoda Octavia Wiring Diagram Engine
- 9. Balancing eBooks and Physical Books Skoda Octavia Wiring Diagram Engine
 - Benefits of a Digital Library
 - Creating a Diverse Reading Collection Skoda Octavia Wiring Diagram Engine
- 10. Overcoming Reading Challenges
 - Dealing with Digital Eye Strain
 - Minimizing Distractions
 - Managing Screen Time
- 11. Cultivating a Reading Routine Skoda Octavia Wiring Diagram Engine
 - Setting Reading Goals Skoda Octavia Wiring Diagram Engine
 - Carving Out Dedicated Reading Time
- 12. Sourcing Reliable Information of Skoda Octavia Wiring Diagram Engine
 - Fact-Checking eBook Content of Skoda Octavia Wiring Diagram Engine

- Distinguishing Credible Sources
- 13. Promoting Lifelong Learning
 - Utilizing eBooks for Skill Development
 - Exploring Educational eBooks
- 14. Embracing eBook Trends
 - Integration of Multimedia Elements
 - Interactive and Gamified eBooks

Skoda Octavia Wiring Diagram Engine Introduction

In this digital age, the convenience of accessing information at our fingertips has become a necessity. Whether its research papers, eBooks, or user manuals, PDF files have become the preferred format for sharing and reading documents. However, the cost associated with purchasing PDF files can sometimes be a barrier for many individuals and organizations. Thankfully, there are numerous websites and platforms that allow users to download free PDF files legally. In this article, we will explore some of the best platforms to download free PDFs. One of the most popular platforms to download free PDF files is Project Gutenberg. This online library offers over 60,000 free eBooks that are in the public domain. From classic literature to historical documents, Project Gutenberg provides a wide range of PDF files that can be downloaded and enjoyed on various devices. The website is user-friendly and allows users to search for specific titles or browse through different categories. Another reliable platform for downloading Skoda Octavia Wiring Diagram Engine free PDF files is Open Library. With its vast collection of over 1 million eBooks, Open Library has something for every reader. The website offers a seamless experience by providing options to borrow or download PDF files. Users simply need to create a free account to access this treasure trove of knowledge. Open Library also allows users to contribute by uploading and sharing their own PDF files, making it a collaborative platform for book enthusiasts. For those interested in academic resources, there are websites dedicated to providing free PDFs of research papers and scientific articles. One such website is Academia.edu, which allows researchers and scholars to share their work with a global audience. Users can download PDF files of research papers, theses, and dissertations covering a wide range of subjects. Academia.edu also provides a platform for discussions and networking within the academic community. When it comes to downloading Skoda Octavia Wiring Diagram Engine free PDF files of magazines, brochures, and catalogs, Issuu is a popular choice. This digital publishing platform hosts a vast collection of publications from around the world. Users can search for specific titles or explore various categories and genres. Issuu offers a seamless reading experience with its user-friendly interface and allows users to download PDF files for offline reading. Apart from dedicated platforms, search engines also play a crucial role in finding free PDF files. Google, for instance, has an advanced

search feature that allows users to filter results by file type. By specifying the file type as "PDF," users can find websites that offer free PDF downloads on a specific topic. While downloading Skoda Octavia Wiring Diagram Engine free PDF files is convenient, it's important to note that copyright laws must be respected. Always ensure that the PDF files you download are legally available for free. Many authors and publishers voluntarily provide free PDF versions of their work, but it's essential to be cautious and verify the authenticity of the source before downloading Skoda Octavia Wiring Diagram Engine. In conclusion, the internet offers numerous platforms and websites that allow users to download free PDF files legally. Whether it's classic literature, research papers, or magazines, there is something for everyone. The platforms mentioned in this article, such as Project Gutenberg, Open Library, Academia.edu, and Issuu, provide access to a vast collection of PDF files. However, users should always be cautious and verify the legality of the source before downloading Skoda Octavia Wiring Diagram Engine any PDF files. With these platforms, the world of PDF downloads is just a click away.

FAQs About Skoda Octavia Wiring Diagram Engine Books

What is a Skoda Octavia Wiring Diagram Engine PDF? A PDF (Portable Document Format) is a file format developed by Adobe that preserves the layout and formatting of a document, regardless of the software, hardware, or operating system used to view or print it. **How do I create a Skoda Octavia Wiring Diagram Engine PDF?** There are several ways to create a PDF: Use software like Adobe Acrobat, Microsoft Word, or Google Docs, which often have built-in PDF creation tools. Print to PDF: Many applications and operating systems have a "Print to PDF" option that allows you to save a document as a PDF file instead of printing it on paper. Online converters: There are various online tools that can convert different file types to PDF. **How do I edit a Skoda Octavia Wiring Diagram Engine PDF?** Editing a PDF can be done with software like Adobe Acrobat, which allows direct editing of text, images, and other elements within the PDF. Some free tools, like PDFescape or Smallpdf, also offer basic editing capabilities. **How do I convert a Skoda Octavia Wiring Diagram Engine PDF to another file format?** There are multiple ways to convert a PDF to another format: Use online converters like Smallpdf, Zamzar, or Adobe Acrobat's export feature to convert PDFs to formats like Word, Excel, JPEG, etc. Software like Adobe Acrobat, Microsoft Word, or other PDF editors may have options to export or save PDFs in different formats. **How do I password-protect a Skoda Octavia Wiring Diagram Engine PDF?** Most PDF editing software allows you to add password protection. In Adobe Acrobat, for instance, you can go to "File" -> "Properties" -> "Security" to set a password to restrict access or editing capabilities. Are there any free alternatives to Adobe Acrobat for working with PDFs? Yes, there are many free alternatives for working with PDFs, such as: LibreOffice: Offers PDF editing features. PDFsam: Allows splitting, merging, and editing PDFs. Foxit Reader: Provides basic PDF viewing and editing capabilities. How do I compress a PDF file?

You can use online tools like Smallpdf, ILovePDF, or desktop software like Adobe Acrobat to compress PDF files without significant quality loss. Compression reduces the file size, making it easier to share and download. Can I fill out forms in a PDF file? Yes, most PDF viewers/editors like Adobe Acrobat, Preview (on Mac), or various online tools allow you to fill out forms in PDF files by selecting text fields and entering information. Are there any restrictions when working with PDFs? Some PDFs might have restrictions set by their creator, such as password protection, editing restrictions, or print restrictions. Breaking these restrictions might require specific software or tools, which may or may not be legal depending on the circumstances and local laws.

Find Skoda Octavia Wiring Diagram Engine :

[tshepong mine learnership](#)

[troy bilt repair manual 12a 556n063](#)

[tundra 2010 stereo wirind guide](#)

[troy bilt pressure washer owners manual](#)

[tub faucet diverter repair](#)

[turn signal switch wiring for 98 sterling](#)

[trx 250 recon manual](#)

[true love the trilogy the complete boxed set english edition](#)

[tuna report in north carolina](#)

truck with manual transmission

tuesdays billionaire days of the week book english edition

[trx500fa fga fourtrax foreman rubicon 2004 owners manual](#)

troy bilt washer manual

[turn off maintenance light toyota corolla 2005](#)

true blue blue series book 3

Skoda Octavia Wiring Diagram Engine :

fées lutins elfes au crochet by sandrine harault - Nov 24 2021

web fées lutins elfes au crochet by sandrine harault fées lutins elfes au crochet by sandrine harault elfe wikipedia delcampe la plus grande marketplace pour les

[fées lutins elfes au crochet by sandrine harault](#) - Jan 27 2022

web les 114 meilleures images de lutins elfes art frique lutin de nol 25 ides de tours pour votre lutin coquin 823 meilleures images du tableau manteau en crochet en sweat

fées lutins elfes au crochet by sandrine harault home of - Dec 06 2022

web fées lutins elfes au crochet by sandrine harault fées lutins elfes au crochet by sandrine harault bleau info bonnet lutin elfe pour bb de 0 3 mois bonnet lutin les 11

fées lutins elfes au crochet sandrine harault babelio - Aug 14 2023

web jan 3 2008 pénétrez dans le monde mystérieux et fantastique des fées des lutins et des elfes l auteur vous propose au travers de cet ouvrage de réaliser ces gentilles

fées lutins elfes au crochet harault sandrine amazon fr - Jul 13 2023

web pénétrez dans le monde mystérieux et fantastique des fées des lutins et des elfes l auteur vous propose au travers de cet ouvrage de réaliser ces gentilles créatures au

[fées lutins elfes au crochet by sandrine harault](#) - Apr 10 2023

web de cet ouvrage de réaliser ces gentilles créatures au crochet afin de les transposer dans votre univers quotidien 30 personnages originaux deviendront sous vos doigts des

fã â es lutins elfes au crochet by sandrine harault - Oct 04 2022

web fã â es lutins elfes au crochet by sandrine harault fã â es lutins elfes au crochet by sandrine harault pénétrez dans le monde mystérieux et fantastique des fées des

fées lutins elfes au crochet by sandrine harault - Dec 26 2021

web fées lutins elfes au crochet by sandrine harault may 3rd 2020 21 nov 2019 découvrez le tableau lutin de mier6710 sur pinterest voir plus d idées sur le thème

fées lutins elfes au crochet by sandrine harault home of - Oct 24 2021

web touches de piano fes appliqu tous les messages sur appliqué by yaya les 9 meilleures images de deguisement lutin en 2020 les petites fes pinterest es 22 meilleures

fées lutins elfes au crochet by sandrine harault - Feb 08 2023

web acknowledgment for acquiring fées lutins elfes au crochet by sandrine harault fées lutins elfes au crochet by sandrine harault is accessible in our novel collection an

fées lutins elfes au crochet by sandrine harault bespoke cityam - Apr 29 2022

web fées lutins elfes au crochet by sandrine harault crochet crochet et artisanats de crochet c est un type qui rentre chez lui après une petite fête et qui s est gerbé dessus

fées lutins elfes au crochet by sandrine harault - May 11 2023

web aug 1 2023 may 4th 2020 les lutins et les elfes sont de petits personnages mythiques malins et plaisantins aujourd'hui c'est au tour des liens gov ph 2 15 lutins du père

fées lutins elfes au crochet sandrine harault cultura - Sep 03 2022

web fées lutins elfes au crochet par sandrine harault aux éditions éditions carpentier les fées les lutins les elfes sont des créatures mystérieuses et fantastiques leur milieu

fées lutins elfes au crochet by sandrine harault - Feb 25 2022

web les 11 meilleures edms ncdmb gov ng 3 33 images de noël noël bricolage noël et 29 meilleures images du tableau dessin fe dessin fe 15 meilleures images du tableau

fa c es lutins elfes au crochet 2023 cyberlab sutd edu sg - Jan 07 2023

web fiers et indomptables l'elfe maudite et le prince des ténèbres sont de retour dans une nouvelle aventure qui va les propulser au cœur d'une terrible guerre menée par une

fées lutins elfes au crochet by sandrine harault home of - Sep 22 2021

web fées lutins elfes au crochet by sandrine harault fées lutins elfes au crochet by sandrine harault kraken exchange fees ated fr 22 meilleures images du tableau a

fées lutins elfes au crochet by sandrine harault - Mar 29 2022

web fées lutins elfes au crochet by sandrine harault fées lutins elfes au crochet by sandrine harault crit par light juiveftransatypique les 42 meilleures images de maison

fées lutins elfes au crochet by sandrine harault - Mar 09 2023

web this fées lutins elfes au crochet by sandrine harault as one of the predominant running sellers here will completely be joined by the best alternatives to review you may not be

crochet des lutins farceurs merveilles et coquillettes - Aug 02 2022

web nov 30 2022 j'ai beaucoup ri car g a conclu maman on va dire au père Noël d'en envoyer que un à mon frère moi j'arrête les bêtises confiant mais pas trop ☐

fa c es lutins elfes au crochet pdf opendoors cityandguilds - Jun 12 2023

web fa c es lutins elfes au crochet fa c es lutins elfes au crochet revue britannique ou choix d'articles traduits des meilleurs écrits périodiques de la grande Bretagne etc

fées lutins elfes au crochet de sandrine harault - Nov 05 2022

web aug 13 2018 en août 2008 j'ai reçu pour mon anniversaire fées lutins elfes au crochet de sandrine harault j'ai alors ressorti le coton de mon époque bracelets

fées lutins elfes au crochet by sandrine harault - May 31 2022

web fées lutins elfes au crochet by sandrine harault fées lutins elfes au crochet by sandrine harault 1 heure des fes de pascal mogurou les arts lutin calendrier de l

fa c es lutins elfes au crochet 2023 - Jul 01 2022

web fa c es lutins elfes au crochet red rising livre 5 dark age partie 1 nov 03 2021 dix ans ont passé depuis la révolution menée par darrow et la fondation d un nouveau

hochsensible kinder wenn die sinne über fordern audible de - Jul 06 2023

web höre hochsensible kinder wenn die sinne über fordern kostenlos hörbuch von t breise gelesen von matthias ubert jetzt gratis hörbuch auf deutsch herunterladen im audible probemonat 0 00

hochsensible kinder wenn die sinne über fordern stärken und - Jun 05 2023

web hochsensible kinder wenn die sinne über fordern stärken und schwächen hochsensibler kinder ebook breise t amazon de bücher

zeitzeichen statt fluch die hochsensibilität bei kindern - Sep 08 2023

web die 29 jährige maria erklärt es so alle sinnesschranken sind offen das heisst alle reize strömen ungefiltert hindurch und dadurch nimmt man alles sehr tief und detailreich wahr gespräche geräusche das alles kommt ungefiltert in mein gehirn auch jeder gesichtsausdruck jede mimik wird wahrgenommen und gewertet

hochsensible kinder verstehen schweizer elternmagazin - Feb 01 2023

web mar 24 2016 hochsensibilität betrifft 15 bis 20 prozent aller kinder verständlich dass hochsensiblen kindern schnell alles zu viel wird die menge an wahrgenommenen informationen wie etwa stimmungen von mitmenschen geräusche gerüche sorgt dafür dass diese kinder viel zeit brauchen um geschehnisse zu verarbeiten strömen zu

hochsensible kinder wenn die sinne über fordern stärken und - Aug 27 2022

web hochsensible kinder wenn die sinne über fordern stärken und schwächen hochsensibler kinder german edition ebook breise t amazon in kindle store

hochsensible kinder verstehen fördern erfolgreich unterstützen - Apr 03 2023

web oct 21 2021 inhaltsverzeichnis hochsensibilität was ist das und ist mein kind betroffen ist mein kind hochsensibel merkmale von hochsensibilität erkennen mach den test ist dein kind wirklich hochsensibel umgang mit hochsensiblen kindern die 4 r s 12 praxis tipps für hochsensible kinder in jedem alter zusammenfassung häufig

hochsensible kinder wenn die sinne über fordern s - Sep 27 2022

web 2 hochsensible kinder wenn die sinne über fordern s 2021 05 12 buch erläutert das phänomen hochsensibilität ausführlich und beschreibt in welcher weise hochsensible menschen alltagsituationen wie einkaufen schule oder arbeit

erleben auch ausgehen und feiern fühlt sich für sie anders an wie können sie ihr leben trotz oder gerade mit

hochsensible kinder signale die eltern nicht ignorieren sollten - Nov 29 2022

web apr 15 2023 sie können die stecknadel hören die im anderen raum auf den boden fällt sie riechen die feinsten nuancen wirken manchmal nachdenklicher und sind unheimlich mitfühlend doch für hochsensible kinder können streit und stress auch schnell überfordernd sein

hochsensible kinder wenn die sinne über fordern stärken und - Oct 09 2023

web hochsensible kinder spüren einfach mehr sie leiden durch die vielfältigen eindrücke denen sie mit ihren feinen sinnen ausgesetzt sind oft unter reizüberflutung lärm und unruhen entkräften und überfordern diese kinder

hochsensible kinder wenn die sinne über fordern s - Oct 29 2022

web Überforderung und schwierigkeiten aber gerade auch über die positiven aspekte der hochsensibilität bei kindern auf theoretische inhalte werden hierbei verpackt in einer geschichte

hochsensible kinder merkmale und tipps zum umgang mit - May 04 2023

web inhaltsverzeichnis 1 hochsensible kinder haben eine besondere wahrnehmung 2 die hochsensibilität bei kindern erkennen 3 die hochsensibilität fluch und segen zugleich 4 der optimale umgang mit hochsensiblen kindern 5 ratgeber zum umgang mit hochsensiblen kindern kaufen 1 hochsensible kinder haben eine besondere

hochsensible kinder wenn die sinne über fordern s pdf - May 24 2022

web may 26 2023 hochsensible kinder wenn die sinne über fordern s but end up in infectious downloads rather than enjoying a good book with a cup of tea in the afternoon instead they are facing with some harmful bugs inside their computer *hochsensible kinder wenn die sinne über fordern stärken und* - Apr 22 2022

web hochsensible kinder wenn die sinne über fordern stärken und schwächen hochsensibler kinder by t breise hochsensible kinder wenn die sinne über fordern stärken und schwächen hochsensibler kinder by t breise epicenter works die große heuchelei warum die empörung der globalisten erfahrungen mit klinik maximilian gmbh

hochsensible kinder wenn die sinne über fordern s 2022 - Aug 07 2023

web 2 hochsensible kinder wenn die sinne über fordern s 2022 03 25 hochsensible kinder wenn die sinne über fordern s downloaded from ai classmonitor com by guest cabrera travis hochsensible eltern mvg verlag fühlst du dich durch deinen alltag oft gestresst ausgelaugt und schlecht gelaunt wird dir die hektik des alltags schnell zu

hochsensible kinder wenn die sinne über fordern s ftp - Mar 22 2022

web hochsensible kinder wenn die sinne über fordern s 5 5 häufig von kindheit an die flügel gestutzt dieses buch möchte verständnis wecken damit hochsensible kinder raum erhalten in dem sie ihre hochsensibilität leben dürfen und ihr volles potential entfalten können netzwerk hochsensibilität band 04 fachartikel und kurzgeschichten

hochsensible kinder wenn die sinne über fordern stärken und - Jul 26 2022

web sep 17 2023 e87b hochsensible kinde wenn die sinne überfordern starken epicenter works backnanger kreiszeitung minimal techno hausarbeiten publizieren daniel probst haben sie den bogen überspannt solche die

hochsensible kinder wenn die sinne über fordern s book - Mar 02 2023

web hochsensible kinder wenn die sinne über fordern apr 18 2023 hochsensible kinder spüren einfach mehr sie leiden durch die vielfältigen eindrücke denen sie mit ihren feinen sinnen ausgesetzt sind oft unter reizüberflutung lärm und unruhen entkräften und überfordern diese kinder

hochsensible kinder wenn die sinne über fordern s 2023 - Dec 31 2022

web allgemein verständliche studien über die natürliche entstehung und den kreislauf der welt und ihrer bewohner etc aug 11 2023 Über die durch subjective zustände der sinne begründeten täuschungen des bewusstseins

hochsensible kinder wenn die sinne über fordern s - Jun 24 2022

web 4 hochsensible kinder wenn die sinne über fordern s 2021 12 26 unterschied in der wahrnehmung von hochsensiblen kindern erklärt werden und am ende steht der große wunsch hochsensibel ist doch voll normal das weiß doch jedes kind achtsamkeitsübungen für hochsensible kinder madorn publishing dieses buch ist

hochsensible kinder wenn die sinne über fordern s 2023 - Feb 18 2022

web hochsensible kinder wenn die sinne über fordern s neueste erfindungen und erfahrungen auf den gebieten der praktischen technik elektrotechnik der gewerbe industrie chemie der land und hauswirtschaft dec 02 2022 oliver cromwell und die puritanische revolution dec 22 2021 geschichte der lübeckischen gesellschaft zur

35 creative paper mache crafts diy projects for teens - Oct 28 2022

web oct 11 2023 get inspiration from the nostalgic craft of paper mache with this list of fun diy paper mache ideas this isn t a craft for just children it s for adults too

what is papier mâché the spruce crafts - Aug 26 2022

web jul 29 2021 learn how to make paper mache or papier mâché with this simple recipe we ve tested the quickest natural recipe so you can get on with the fun part of

25 creative paper mache ideas and projects blitsy - Dec 18 2021

25 easy paper mache ideas and art projects diy crafts - Jan 19 2022

how to make paper mache the spruce crafts - Apr 02 2023

web jun 4 2018 super creative and inexpensive you can make just about anything you can dream of out of a simple mixture

of paper and glue there are very few craft materials as

[how to make paper mache papier mâché bbc good food](#) - Dec 30 2022

web sep 26 2022 newspaper is thicker and so tear it into much smaller pieces next pour boiling water over the paper and let it sit for at least 2 hours overnight if you used

how to make paper mache prima - Jan 31 2023

web nov 30 2019 papier mâché or paper mache is a popular crafting technique that uses paper and a paste to create a variety of objects the method is named after the french

12 beautiful diy paper mache projects for beginners homedit - Sep 26 2022

web mar 16 2015 we have compiled a collection of 30 crafty paper mache projects you can try for yourself this spring enjoy and feel free to share your thoughts and ideas in the

how to make paper mache step by step craftsy hacks - Jul 25 2022

web so grab some newspapers glue and paint and embark on a creative journey with these 25 easy paper mache ideas and art projects that are engaging and environmentally friendly

15 inspirational papier mache crafts diys com - May 03 2023

web papier mâché or what s more commonly searched for as paper mache is the perfect activity for kids discover our winning recipe step by step guide and easy video to make

[how to make paper mache the 5 basic steps](#) - Nov 28 2022

web jun 15 2022 paper mache or papier mâché chewed paper in french is a method of art that involves paper and a paste that the artist creates this paste is made of easy to

diy paper mache techniques and how to make paper - Aug 06 2023

julie kirk s easter egg will look brilliant decorating your easter lunch table add a touch of luxury to a blown egg or papier mâché egg shape using gold crêpe paper and a velvet ribbon see more

easy paper mache for kids recipe 21 paper mache ideas for kids - Nov 16 2021

9 fun and easy papier mâché projects the spruce crafts - Jun 04 2023

if we were looking for a representation of our spiritual selves in paper mache project form it would be this tiger round undoubtedly wearing see more

paper mache projects and recipes for the whole family - Feb 17 2022

the ultimate guide to paper mache for beginners - Jun 23 2022

web so let s gather the supplies and start working on your favorite paper mache crafts today find 25 amazing and creative paper mache ideas and projects that include a detailed

how to create papier mâché 11 steps with pictures - Sep 07 2023

here is a brilliant paper mache crafts tutorial and free template from the nyc public library with the elephant shown in our photo having been made by mrs hamilton grant who see more

the best paper mache recipes the spruce crafts - Jul 05 2023

looking for sophisticated paper mache ideas these dreamy decoupage pumpkins are courtesy of philip friedman showing the heights see more

how to make paper mache giggly co uk - Mar 21 2022

51 fun diy paper mache ideas craft passion - May 23 2022

web aug 14 2023 by sarah johnson august 14 2023 table of contents what is paper mache 21 best paper mache ideas for kids best paper mache kits how to make

11 creative paper mache ideas for kids and adults - Oct 08 2023

hello bright beauty we love this colourful paper mache crafts unicorn head beautifully decorated by setal creates using paper towels she does not demo making the basic head shape just the decorating which is lovely to watch but we d suggest sculpting the basic shape from chicken wire and see more

top 30 crafty paper mache projects you can try for yourself - Apr 21 2022

papier mâché ideas let your creativity run free loctite - Mar 01 2023

web dec 21 2021 paper mache from the french term papier mâché has been used since 200 b c china evolving over time to become more useful and versatile than ever the