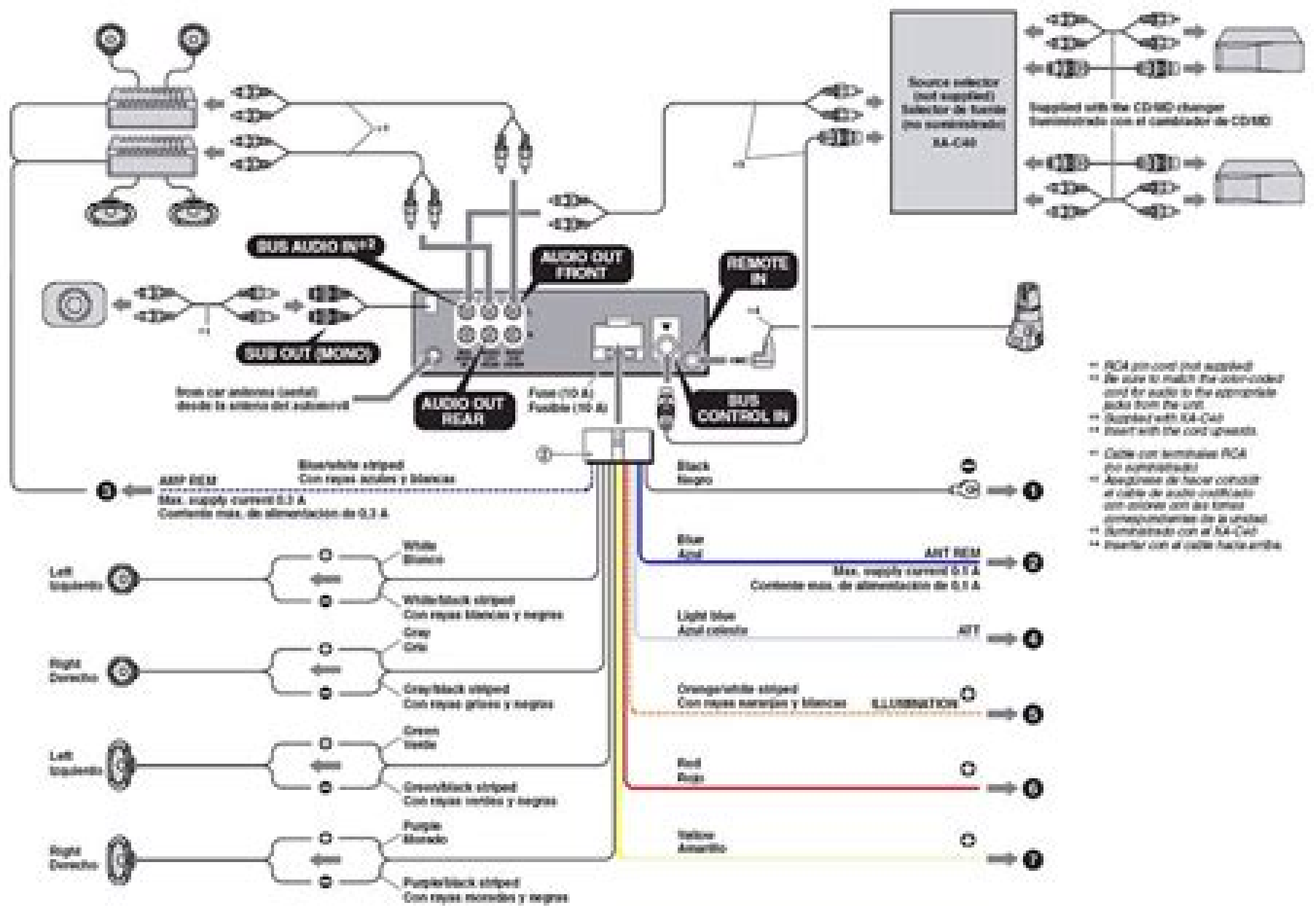


SONY



- ** RCA pin cord (not supplied)
- ** Be sure to match the color-coded cord for audio to the appropriate jack from the unit.
- ** Supplied with SA-C40
- ** Insert with the cord upwards.
- ** Cable con terminales RCA (no suministrado)
- ** Asegúrese de hacer coincidir el cable de audio con el jack correspondiente de la unidad.
- ** Suministrado con el SA-C40
- ** Insertar con el cable hacia arriba.

Sony Explode Car Stereo Wiring Diagram

Roman Wölfel



Sony Explode Car Stereo Wiring Diagram:

The Ultimate Guide On Installing Your After Market Car Stereo Ryan Keeler, 2024-02-22 The Ultimate Guide on Installing Your After Market Car Stereo by Ryan Keeler is a comprehensive guide published on February 22 2024 aimed at audiophiles and vehicle enthusiasts who wish to upgrade their car audio systems This detailed manual covers everything from the basics of car audio systems to the intricate steps involved in installing various components like head units speakers amplifiers and subwoofers Ryan Keeler meticulously explains the tools and techniques required for each stage of the installation process ensuring that even those new to car audio can understand and follow the procedures The guide emphasizes the importance of proper planning selecting the right components and the technical know how necessary to achieve the best sound quality and system functionality It includes detailed sections on the electrical fundamentals relevant to car stereo systems such as wiring diagrams grounding and connectivity issues along with troubleshooting tips for common installation challenges Additionally the book delves into advanced topics like integrating modern technology with traditional car audio systems including Bluetooth connectivity smart device integration and navigation systems Keeler also addresses aesthetic considerations ensuring that the installation not only sounds good but also looks professional within the vehicle s existing interior Overall this guide is an invaluable resource for anyone looking to upgrade their car stereo system providing practical advice and professional insights to ensure a successful installation that enhances the in car audio experience

Sony Stereo Sony Corporation of America, 1980

When people should go to the book stores, search creation by shop, shelf by shelf, it is in point of fact problematic. This is why we allow the book compilations in this website. It will agreed ease you to look guide **Sony Explode Car Stereo Wiring Diagram** as you such as.

By searching the title, publisher, or authors of guide you really want, you can discover them rapidly. In the house, workplace, or perhaps in your method can be every best place within net connections. If you strive for to download and install the Sony Explode Car Stereo Wiring Diagram, it is utterly simple then, in the past currently we extend the colleague to purchase and create bargains to download and install Sony Explode Car Stereo Wiring Diagram therefore simple!

<https://movement.livewellcolorado.org/book/detail/default.aspx/Zf%205hp24a%20Repair%20Manual.pdf>

Table of Contents Sony Explode Car Stereo Wiring Diagram

1. Understanding the eBook Sony Explode Car Stereo Wiring Diagram
 - The Rise of Digital Reading Sony Explode Car Stereo Wiring Diagram
 - Advantages of eBooks Over Traditional Books
2. Identifying Sony Explode Car Stereo Wiring Diagram
 - Exploring Different Genres
 - Considering Fiction vs. Non-Fiction
 - Determining Your Reading Goals
3. Choosing the Right eBook Platform
 - Popular eBook Platforms
 - Features to Look for in an Sony Explode Car Stereo Wiring Diagram
 - User-Friendly Interface
4. Exploring eBook Recommendations from Sony Explode Car Stereo Wiring Diagram
 - Personalized Recommendations
 - Sony Explode Car Stereo Wiring Diagram User Reviews and Ratings
 - Sony Explode Car Stereo Wiring Diagram and Bestseller Lists

5. Accessing Sony Explode Car Stereo Wiring Diagram Free and Paid eBooks
 - Sony Explode Car Stereo Wiring Diagram Public Domain eBooks
 - Sony Explode Car Stereo Wiring Diagram eBook Subscription Services
 - Sony Explode Car Stereo Wiring Diagram Budget-Friendly Options
6. Navigating Sony Explode Car Stereo Wiring Diagram eBook Formats
 - ePub, PDF, MOBI, and More
 - Sony Explode Car Stereo Wiring Diagram Compatibility with Devices
 - Sony Explode Car Stereo Wiring Diagram Enhanced eBook Features
7. Enhancing Your Reading Experience
 - Adjustable Fonts and Text Sizes of Sony Explode Car Stereo Wiring Diagram
 - Highlighting and Note-Taking Sony Explode Car Stereo Wiring Diagram
 - Interactive Elements Sony Explode Car Stereo Wiring Diagram
8. Staying Engaged with Sony Explode Car Stereo Wiring Diagram
 - Joining Online Reading Communities
 - Participating in Virtual Book Clubs
 - Following Authors and Publishers Sony Explode Car Stereo Wiring Diagram
9. Balancing eBooks and Physical Books Sony Explode Car Stereo Wiring Diagram
 - Benefits of a Digital Library
 - Creating a Diverse Reading Collection Sony Explode Car Stereo Wiring Diagram
10. Overcoming Reading Challenges
 - Dealing with Digital Eye Strain
 - Minimizing Distractions
 - Managing Screen Time
11. Cultivating a Reading Routine Sony Explode Car Stereo Wiring Diagram
 - Setting Reading Goals Sony Explode Car Stereo Wiring Diagram
 - Carving Out Dedicated Reading Time
12. Sourcing Reliable Information of Sony Explode Car Stereo Wiring Diagram
 - Fact-Checking eBook Content of Sony Explode Car Stereo Wiring Diagram
 - Distinguishing Credible Sources
13. Promoting Lifelong Learning

- Utilizing eBooks for Skill Development
- Exploring Educational eBooks

14. Embracing eBook Trends

- Integration of Multimedia Elements
- Interactive and Gamified eBooks

Sony Explode Car Stereo Wiring Diagram Introduction

In the digital age, access to information has become easier than ever before. The ability to download Sony Explode Car Stereo Wiring Diagram has revolutionized the way we consume written content. Whether you are a student looking for course material, an avid reader searching for your next favorite book, or a professional seeking research papers, the option to download Sony Explode Car Stereo Wiring Diagram has opened up a world of possibilities. Downloading Sony Explode Car Stereo Wiring Diagram provides numerous advantages over physical copies of books and documents. Firstly, it is incredibly convenient. Gone are the days of carrying around heavy textbooks or bulky folders filled with papers. With the click of a button, you can gain immediate access to valuable resources on any device. This convenience allows for efficient studying, researching, and reading on the go. Moreover, the cost-effective nature of downloading Sony Explode Car Stereo Wiring Diagram has democratized knowledge. Traditional books and academic journals can be expensive, making it difficult for individuals with limited financial resources to access information. By offering free PDF downloads, publishers and authors are enabling a wider audience to benefit from their work. This inclusivity promotes equal opportunities for learning and personal growth. There are numerous websites and platforms where individuals can download Sony Explode Car Stereo Wiring Diagram. These websites range from academic databases offering research papers and journals to online libraries with an expansive collection of books from various genres. Many authors and publishers also upload their work to specific websites, granting readers access to their content without any charge. These platforms not only provide access to existing literature but also serve as an excellent platform for undiscovered authors to share their work with the world. However, it is essential to be cautious while downloading Sony Explode Car Stereo Wiring Diagram. Some websites may offer pirated or illegally obtained copies of copyrighted material. Engaging in such activities not only violates copyright laws but also undermines the efforts of authors, publishers, and researchers. To ensure ethical downloading, it is advisable to utilize reputable websites that prioritize the legal distribution of content. When downloading Sony Explode Car Stereo Wiring Diagram, users should also consider the potential security risks associated with online platforms. Malicious actors may exploit vulnerabilities in unprotected websites to distribute malware or steal personal information. To protect themselves, individuals should ensure their devices have reliable antivirus software installed and validate the legitimacy of the websites

they are downloading from. In conclusion, the ability to download Sony Explode Car Stereo Wiring Diagram has transformed the way we access information. With the convenience, cost-effectiveness, and accessibility it offers, free PDF downloads have become a popular choice for students, researchers, and book lovers worldwide. However, it is crucial to engage in ethical downloading practices and prioritize personal security when utilizing online platforms. By doing so, individuals can make the most of the vast array of free PDF resources available and embark on a journey of continuous learning and intellectual growth.

FAQs About Sony Explode Car Stereo Wiring Diagram Books

1. Where can I buy Sony Explode Car Stereo Wiring Diagram books? Bookstores: Physical bookstores like Barnes & Noble, Waterstones, and independent local stores. Online Retailers: Amazon, Book Depository, and various online bookstores offer a wide range of books in physical and digital formats.
2. What are the different book formats available? Hardcover: Sturdy and durable, usually more expensive. Paperback: Cheaper, lighter, and more portable than hardcovers. E-books: Digital books available for e-readers like Kindle or software like Apple Books, Kindle, and Google Play Books.
3. How do I choose a Sony Explode Car Stereo Wiring Diagram book to read? Genres: Consider the genre you enjoy (fiction, non-fiction, mystery, sci-fi, etc.). Recommendations: Ask friends, join book clubs, or explore online reviews and recommendations. Author: If you like a particular author, you might enjoy more of their work.
4. How do I take care of Sony Explode Car Stereo Wiring Diagram books? Storage: Keep them away from direct sunlight and in a dry environment. Handling: Avoid folding pages, use bookmarks, and handle them with clean hands. Cleaning: Gently dust the covers and pages occasionally.
5. Can I borrow books without buying them? Public Libraries: Local libraries offer a wide range of books for borrowing. Book Swaps: Community book exchanges or online platforms where people exchange books.
6. How can I track my reading progress or manage my book collection? Book Tracking Apps: Goodreads, LibraryThing, and Book Catalogue are popular apps for tracking your reading progress and managing book collections. Spreadsheets: You can create your own spreadsheet to track books read, ratings, and other details.
7. What are Sony Explode Car Stereo Wiring Diagram audiobooks, and where can I find them? Audiobooks: Audio recordings of books, perfect for listening while commuting or multitasking. Platforms: Audible, LibriVox, and Google Play Books offer a wide selection of audiobooks.

8. How do I support authors or the book industry? Buy Books: Purchase books from authors or independent bookstores. Reviews: Leave reviews on platforms like Goodreads or Amazon. Promotion: Share your favorite books on social media or recommend them to friends.
9. Are there book clubs or reading communities I can join? Local Clubs: Check for local book clubs in libraries or community centers. Online Communities: Platforms like Goodreads have virtual book clubs and discussion groups.
10. Can I read Sony Explode Car Stereo Wiring Diagram books for free? Public Domain Books: Many classic books are available for free as they're in the public domain. Free E-books: Some websites offer free e-books legally, like Project Gutenberg or Open Library.

Find Sony Explode Car Stereo Wiring Diagram :

[zf 5hp24a repair manual](#)

[zimsec shona paper1 2014](#)

[zions bank journal entries](#)

zte racer user manual

[zenith xbv342 guide](#)

[zita cotti de aedibus 53 english and german edition](#)

[zumdahl chemistry 6th edition](#)

zimsec past exam paper 1

[zimsec2014 leaked papers](#)

[zodiak malawi 2014 jee results](#)

[zimsec o level mathematics paper 1 2014](#)

zumdahl chemistry 9th edition

[zte blade manual](#)

[zimsec religious studies paper 2014](#)

[zenith tv service manual](#)

Sony Explode Car Stereo Wiring Diagram :

understanding western society a history volume one - Mar 05 2022

web oct 3 2014 learn what's really important about western civilization as understanding western society a history volume

one models the inquiry based methods used by historians to help you sift through information

western society a brief history free download borrow and - Jun 20 2023

web western society a brief history free download borrow and streaming internet archive

western society a brief history volume i from antiquity to - Nov 13 2022

web jan 6 2009 western society a brief history volume i from antiquity to enlightenment paperback jan 6 2009 based on the highly acclaimed a history of western society this brief edition offers a welcome new approach for today s classrooms

understanding western society a history volume one - May 07 2022

web oct 3 2014 understanding western society second edition features a brief question drive narrative that models for students the inquiry based methods used by historians and helps students understand

history of western civilization wikipedia - Apr 06 2022

web the industrial revolution began in britain in the 18th century under the influence of the enlightenment the age of revolution emerged from the united states and france as part of the transformation of the west into its industrialised democratised modern form

western society a brief history paperback jan 6 2009 - Oct 12 2022

web jan 6 2009 this brief edition offers the unsurpassed social history of a history of western society in an accessible lively format short enough to use with supplements and more affordable than its parent text a brief history retains the sustained attention to daily life the rich art and map program and all of the special features of the full length edition

understanding western society volume 1 from antiquity - Aug 10 2022

web aug 2 2011 based on the highly successful a history of western society understanding western a brief history captures students interest in the everyday life of the past and ties social history to the broad sweep of politics and culture

a history of western society pdf pdf absolute monarchy scribd - Sep 11 2022

web a history of western society pdf free ebook download as pdf file pdf text file txt or read book online for free 1985 to the present 1019 brief contents vii apago pdf enhancer maps xvii listening to the past xviii preface xix chapter 12 the crisis of the later middle ages 13001450 371 prelude to disaster 371 climate change and

western society a brief history harvard university - Jan 03 2022

web geographical tours of europe thematic tours each accompanied by a map to guide the student around the changing contours of the geography of western history technology advantage discovering western civilization on line

western society a brief history volume 1 google books - Mar 17 2023

web based on the highly acclaimed a history of western society this brief edition offers a welcome new approach for today s classrooms a full color design extensive learning aids rich

western society a brief history volume 1 from antiquity to - Jan 15 2023

web jan 6 2009 john p mckay bennett d hill john buckler more 3 38 8 ratings0 reviews based on the highly acclaimed a history of western society this brief edition offers a welcome new approach for today s classrooms

western society a brief history edition 1 barnes noble - Jun 08 2022

web jan 9 2009 western society a brief history edition 1 by john p mckayjohn p mckay read reviews add to wishlist isbn 10 0312683006 isbn 13 2900312683008 pub date 01 09 2009 publisher bedford st martin s western society a brief history edition 1 by john p mckayjohn p mckay read reviews paperback view all available

western society a brief history complete edition - Aug 22 2023

web jan 6 2009 western society a brief history complete edition mckay john p hill bennett d buckler john crowston clare haru wiesner hanks merry e on amazon com free shipping on qualifying offers

a history of western society combined edition macmillan - Jul 09 2022

web bring the history of western society to life praised for its easy to read narrative and attention to the lives of ordinary people a history of western society fourteenth edition includes even more tools to engage students and save instructors time a signature focus on social and cultural history helps students engage with and think

western society a brief history volume 2 from absolutism to - Dec 14 2022

web jan 6 2009 based on the highly acclaimed a history of western society this brief edition offers a welcome new approach for today s classrooms a full color design extensive learning aids rich illustration program and affordable price combine with lively descriptive writing and compelling first hand accounts to provide the most vivid account

a history of western society 7th edition amazon com - Feb 04 2022

web jul 18 2002 textbook binding 19 99 1 used from 19 99 a bestseller in its field a history of western society examines the lives of both historical figures and ordinary people using an engaging lively writing style to capture students interest

western society a brief history volume 1 from antiquity to - Apr 18 2023

web jan 6 2009 based on the highly acclaimed a history of western society this brief edition offers a welcome new approach for today s classrooms a full color design extensive learning aids rich illustration program and affordable price combine with lively descriptive writing and compelling first hand accounts to provide the most vivid account

a brief history of western culture article khan academy - Feb 16 2023

web it s important to remember that although history is often presented as a series of discrete stories in reality narratives often overlap making history both more complex and more interesting for example it was also during the roman empire that

western society a brief history john p mckay google books - May 19 2023

web mar 30 2009 western society a brief history volume 1 john p mckay macmillan learning mar 30 2009 history 912 pages

this brief edition offers the unsurpassed social history of a history

western society a brief history complete edition google books - Jul 21 2023

web sep 1 2010 john p mckay bennett d hill john buckler clare haru crowston merry e wiesner hanks bedford st martin s sep 1 2010 history 912 pages this brief edition offers the unsurpassed

canon irc3200 service manual by maryhyde3931 issuu - Apr 30 2022

web aug 5 2017 canon irc3200 service manual download file type pdf canon irc3200 service manual free file type pdf canon irc3200 service manual full file type pdf canon irc3200

service manuals canon irc3200 series service manual - Oct 05 2022

web canon irc3200 series service manual download the high quality digitized pdf or order a high quality paperback manual tech sheet or supplement

pdf canon irc3200 service manual dokumen tips - Jun 13 2023

web ir c3200 series revision 00l pages 1 5s and 4 7s have been revised copyright 2003 canon inc 2000 2000 canon ir c3200 series rev 00l may 2003 printed in japan imprime

canon ir c3200 series service manual pdf download - Apr 11 2023

web view and download canon ir c3200 series service manual online ir c3200 series copier pdf manual download also for ir c3220n prt

canon irc3200 user manual safe manuals com - Jul 02 2022

web user manual for canon irc3200 product view irc3200 user guide online or download canon irc3200 instruction manual for free get irc3200 instruction in pdf format

pub canon irc3200 service manual ebooks guides download - Dec 27 2021

web aug 22 2023 pub canon irc3200 service manual ebooks guides download free the global ebook report is available for download from october 1st 2013 at global ebook com a project of rüdiger wischenbart content and consulting creating and publishing an ebook can be a difficult

canon irc3200 service manual ebooks guides all in one printer - Aug 15 2023

web user manual canon all in one printer ctc3200 canon all in one printer ctc3200 canon irc3200 service manual ebooks guides all in one printer ctc3200 jvkeiqk user manual canon all in one printer ctc3200 open upload a user manual versions of this user manual wiki guide html download help views user manual discussion

canon irc3200 irc3220n prt service manual issuu - Jan 28 2022

web oct 2 2013 canon irc3200 irc3220n prt service manualthis is the full canon service repair manual this canon series service manual is 1216 pages in pdf format the manual has detailed

[canon irc3200 all in one printer user manual manualshelf](#) - Jan 08 2023

web canon irc3200 service manual download here canon technical service manual used by canon trained engineers to service and repair the irc3200 clc3200 3220 models including amongst many other things schematic diagrams disassembly and re assembly intructions service parameter modes and an indepth troubleshooting chart

download ebook canon irc3200 service manual ebooks guides - Jun 01 2022

web download ebook canon irc3200 service manual ebooks guides pdf free copy eprom options service menu crossref service info usermanual calculator web repair manuals for every thing ifixit repair guides first time repairing

[imagerunner c3200 support download drivers software and manuals](#) - Jul 14 2023

web imagerunner c3200 support download drivers software and manuals canon europe

[canon irc3200 service manual user manual search engine](#) - Feb 09 2023

web canon irc3200 service manual download here canon technical service manual used by canon trained engineers to service and repair the irc3200 clc3200 3220 models including amongst many other things schematic diagrams disassembly and re assembly intructions service parameter modes and an indepth troubleshooting chart searches irc

[canon irc3200 series service manual service manuals download service](#) - Aug 03 2022

web for canon irc3200 series service manual ink pads are at the end of their service life download wic reset utility free buy reset keys or firmware keys here canon ir c3200 series service manual this publication is a service manual covering the specifications construction theory of operation and maintenance of the ir c3200 series

canon irc3200 user manual manualsbase com solve your - Dec 07 2022

web canon irc3200 service manual download here canon technical service manual used by canon trained engineers to service and repair the irc3200 clc3200 3220 models

ebook canon irc3200 service manual ebooks guides free download - Feb 26 2022

web aug 17 2023 download and install the canon irc3200 service manual ebooks guides it is utterly easy then previously currently we extend the belong to to purchase and make bargains to download and install canon irc3200 service manual ebooks guides as a result simple recognizing the pretension ways to acquire this ebook canon irc3200

canon irc3200 service manual download ebooks guides - Sep 04 2022

web sep 27 2017 save this book to read canon irc3200 service manual download ebooks guides pdf ebook at our online library get canon irc3200 service manual download ebooks guides pdf file for free from our o

canon irc3200 service manual pdf fax printed circuit board - May 12 2023

web canon irc3200 service manual free ebook download as pdf file pdf text file txt or read book online for free

canon irc3200 service manual by wadetremblay issuu - Mar 30 2022

web read canon irc3200 service manual by wadetremblay on issuu and browse thousands of other publications on our platform start here

canon ir c3200 series copier service manual tradebit - Nov 06 2022

web detailed illustrations exploded diagrams drawings and photos if needed guide you through every service repair procedure numbered table of contents easy to use so that you can find the information you need fast manual language english file format pdf file delivery pdf instant download pages 1222

canon ir c3200 series manuals manualslib - Mar 10 2023

web manuals and user guides for canon ir c3200 series we have 2 canon ir c3200 series manuals available for free pdf download service manual portable manual canon ir c3200 series service manual 1216 pages

the infernal devices wikipedia - Sep 26 2022

web in clockwork princess it is revealed that aloysius granddaughter who was switched as the faerie s revenge for their killings was elizabeth gray tessa s mother making tessa a half shadowhunter aloysius is killed by the automatons during a clave meeting right after he realizes that he should have listened to charlotte

clockwork prince cassandra clare google books - Aug 26 2022

web dec 6 2011 cassandra clare simon and schuster dec 6 2011 young adult fiction 528 pages true love is shrouded in secrets and lies in the enchanting second book in the 1 new york times bestselling

clockwork prince infernal devices amazon com tr - May 03 2023

web clockwork prince infernal devices clare cassandra amazon com tr kitap Çerez tercihlerinizi seçin Çerez bildirimimizde ayrıntılı şekilde açıklandığı üzere alışveriş yapmanızı sağlamak alışveriş deneyiminizi iyileştirmek ve hizmetlerimizi sunmak için gerekli olan çerezleri ve benzer araçları kullanırız

clockwork prince infernal devices the amazon com - Jul 05 2023

web sep 1 2015 in clockwork prince the second installment in a prequel trilogy to the bestselling the mortal instruments series cassandra clare demonstrates her relentless authorial alchemy blending societal restraint and an otherworldly battle into a steamy steampunk drama

clockwork prince trailer youtube - Nov 28 2022

web nov 28 2011 watch the clockwork prince trailer cassandra clare s highly anticipated sequel to the 1 new york times bestselling book clockwork angel learn more about the clockwork prince at

clockwork prince infernal devices paperback clare - Oct 28 2022

web clockwork prince infernal devices paperback clare cassandra amazon com tr

clockwork prince wikipedia - Oct 08 2023

web clockwork prince is a 2011 novel written by cassandra clare it is the second novel in the infernal devices trilogy and is written through the perspective of the protagonist tessa gray who lives at the london institute among shadowhunters a group of half angel half human beings called nephilim

clockwork prince graphic novel infernal devices amazon com tr - Jun 23 2022

web clockwork prince graphic novel infernal devices clare cassandra amazon com tr kitap

the infernal devices clockwork angel clockwork prince clockwork - Jan 31 2023

web the shadowhunters of the victorian age delve into all of these in addition to darkness and danger in the infernal devices trilogy handsomely packaged in a boxed set that includes clockwork angel clockwork prince and clockwork princess

category clockwork prince characters the shadowhunters wiki - May 23 2022

web clockwork prince clockwork princess manga series the dark artifices lady midnight lord of shadows queen of air and darkness the last hours chain of gold chain of iron chain of thorns the wicked powers side books the eldest curses the red scrolls of magic the lost book of the white

clockwork prince the infernal devices 2 novelstoday - Mar 21 2022

web clockwork prince the infernal devices 2 in the magical underworld of victorian london tessa gray has at last found safety with the shadowhunters but that safety proves fleeting when rogue forces in the clave plot to see her protector charlotte replaced as head of

clockwork prince book by cassandra clare simon schuster - Dec 30 2022

web clockwork prince is a shadowhunters novel in the magical underworld of victorian london tessa gray has found safety with the shadowhunters but that safety proves fleeting when it becomes clear that the mysterious magister will stop at nothing to use tessa s powers for his own dark ends

[the infernal devices series by cassandra clare goodreads](#) - Jun 04 2023

web from the author s website there are three books in the infernal devices series clockwork angel clockwork prince and clockwork princess the infernal devices are often called a prequel series to the mortal instruments but only because they take place in an earlier time period and contain some of the mortal instruments characters ancestors

read clockwork prince the free online novel - Feb 17 2022

web clockwork prince the infernal devices 2 in the magical underworld of victorian london tessa gray has at last found safety with the shadowhunters but that safety proves fleeting when rogue forces in the clave plot to see her protector charlotte replaced as head of

the clockwork prince the infernal devices amazon com - Mar 01 2023

web dec 6 2011 in clockwork prince the second installment in a prequel trilogy to the bestselling the mortal instruments

series cassandra clare demonstrates her relentless authorial alchemy blending societal restraint and an otherworldly battle into a steamy steampunk drama

clockwork prince clare cassandra free download borrow - Apr 02 2023

web clockwork prince love and lies can corrupt even the purest heart in the magical underworld of victorian london tessa gray finds her heart drawn more and more to jem while her longing for will despite his dark moods continues to unsettle her but something is changing in will the wall he has built around himself is crumbling

clockwork prince the infernal devices 2 goodreads - Sep 07 2023

web dec 6 2011 cassandra clare 4 43 540 317 ratings30 438 reviews in the magical underworld of victorian london tessa gray has at last found safety with the shadowhunters but that safety proves fleeting when rogue forces in the clave plot to see her protector charlotte replaced as head of the institute

clockwork prince quotes by cassandra clare goodreads - Jul 25 2022

web 548 quotes from clockwork prince the infernal devices 2 we live and breathe words it was books that made me feel that perhaps i was not compl

clockwork prince the shadowhunters wiki fandom - Aug 06 2023

web sci fi clockwork prince is the second novel in the infernal devices series by cassandra clare chronologically it is the second story in the shadowhunter chronicles in the magical underworld of victorian london tessa gray has at last found safety with the shadowhunters

clockwork princess wikipedia - Apr 21 2022

web clockwork princess is a 2013 fantasy novel written by young adult author cassandra clare it is the third and final installment of the infernal devices trilogy following the first book clockwork angel and the second book clockwork prince