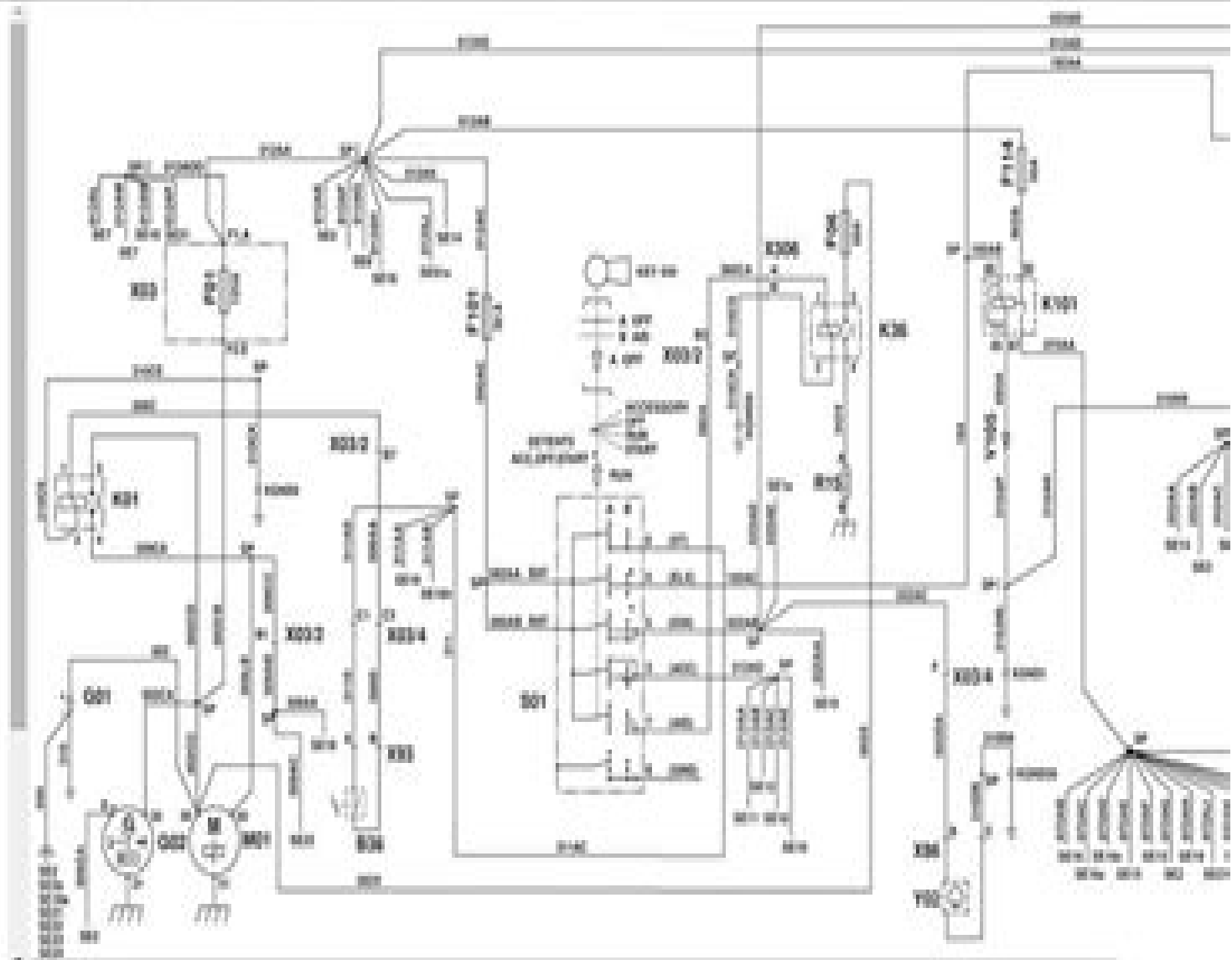


Manuals - LX1019175-UN: SE1-Diagnostic Schematic



- 836 - Neutral Start Switch
- F01 - Fuse
- F06 - Fuse
- F001 - Fuse
- F009 - Fuse
- F114 - Fuse
- G01 - Battery
- G02 - Alternator
- K01 - Starter Relay
- K24 - Injection Pump Shut-Off Valve
- K36 - Electrical Start Aid Relay
- K301 - Electronics Power Supply Relay
- M01 - Starter
- R15 - Electrical Start Aid Glow Plug
- S01 - Key Switch
- V305 - Diode
- X01 - 64-Pin Plug (Cab Connection Point)
- X01/2 - 24-Pin Plug (Engine Connection Point)
- X01/4 - 40-Pin Plug (Transmission Connection Point)



# Www Johndeer Wiring For 6600

**Yicheng Fang**



**Www Johndeer Wiring For 6600:**

## Whispering the Secrets of Language: An Emotional Quest through **Www Johndeer Wiring For 6600**

In a digitally-driven world wherever monitors reign supreme and immediate communication drowns out the subtleties of language, the profound techniques and mental subtleties concealed within phrases often get unheard. However, nestled within the pages of **Www Johndeer Wiring For 6600** a charming fictional treasure blinking with fresh emotions, lies an exceptional journey waiting to be undertaken. Composed by a skilled wordsmith, that wonderful opus attracts viewers on an introspective journey, softly unraveling the veiled truths and profound impact resonating within ab muscles material of every word. Within the psychological depths with this poignant review, we will embark upon a honest exploration of the book is primary styles, dissect their captivating publishing model, and fail to the strong resonance it evokes strong within the recesses of readers hearts.

[https://movement.livewellcolorado.org/About/uploaded-files/fetch.php/thermodynamics\\_an\\_engineering\\_approach\\_chapter\\_2.pdf](https://movement.livewellcolorado.org/About/uploaded-files/fetch.php/thermodynamics_an_engineering_approach_chapter_2.pdf)

### **Table of Contents Www Johndeer Wiring For 6600**

1. Understanding the eBook Www Johndeer Wiring For 6600
  - The Rise of Digital Reading Www Johndeer Wiring For 6600
  - Advantages of eBooks Over Traditional Books
2. Identifying Www Johndeer Wiring For 6600
  - Exploring Different Genres
  - Considering Fiction vs. Non-Fiction
  - Determining Your Reading Goals
3. Choosing the Right eBook Platform
  - Popular eBook Platforms
  - Features to Look for in an Www Johndeer Wiring For 6600
  - User-Friendly Interface
4. Exploring eBook Recommendations from Www Johndeer Wiring For 6600

- Personalized Recommendations
  - Www Johndeer Wiring For 6600 User Reviews and Ratings
  - Www Johndeer Wiring For 6600 and Bestseller Lists
5. Accessing Www Johndeer Wiring For 6600 Free and Paid eBooks
    - Www Johndeer Wiring For 6600 Public Domain eBooks
    - Www Johndeer Wiring For 6600 eBook Subscription Services
    - Www Johndeer Wiring For 6600 Budget-Friendly Options
  6. Navigating Www Johndeer Wiring For 6600 eBook Formats
    - ePub, PDF, MOBI, and More
    - Www Johndeer Wiring For 6600 Compatibility with Devices
    - Www Johndeer Wiring For 6600 Enhanced eBook Features
  7. Enhancing Your Reading Experience
    - Adjustable Fonts and Text Sizes of Www Johndeer Wiring For 6600
    - Highlighting and Note-Taking Www Johndeer Wiring For 6600
    - Interactive Elements Www Johndeer Wiring For 6600
  8. Staying Engaged with Www Johndeer Wiring For 6600
    - Joining Online Reading Communities
    - Participating in Virtual Book Clubs
    - Following Authors and Publishers Www Johndeer Wiring For 6600
  9. Balancing eBooks and Physical Books Www Johndeer Wiring For 6600
    - Benefits of a Digital Library
    - Creating a Diverse Reading Collection Www Johndeer Wiring For 6600
  10. Overcoming Reading Challenges
    - Dealing with Digital Eye Strain
    - Minimizing Distractions
    - Managing Screen Time
  11. Cultivating a Reading Routine Www Johndeer Wiring For 6600
    - Setting Reading Goals Www Johndeer Wiring For 6600
    - Carving Out Dedicated Reading Time
  12. Sourcing Reliable Information of Www Johndeer Wiring For 6600

- Fact-Checking eBook Content of Www Johndeer Wiring For 6600
  - Distinguishing Credible Sources
13. Promoting Lifelong Learning
- Utilizing eBooks for Skill Development
  - Exploring Educational eBooks
14. Embracing eBook Trends
- Integration of Multimedia Elements
  - Interactive and Gamified eBooks

### **Www Johndeer Wiring For 6600 Introduction**

In this digital age, the convenience of accessing information at our fingertips has become a necessity. Whether its research papers, eBooks, or user manuals, PDF files have become the preferred format for sharing and reading documents. However, the cost associated with purchasing PDF files can sometimes be a barrier for many individuals and organizations. Thankfully, there are numerous websites and platforms that allow users to download free PDF files legally. In this article, we will explore some of the best platforms to download free PDFs. One of the most popular platforms to download free PDF files is Project Gutenberg. This online library offers over 60,000 free eBooks that are in the public domain. From classic literature to historical documents, Project Gutenberg provides a wide range of PDF files that can be downloaded and enjoyed on various devices. The website is user-friendly and allows users to search for specific titles or browse through different categories. Another reliable platform for downloading Wwww Johndeer Wiring For 6600 free PDF files is Open Library. With its vast collection of over 1 million eBooks, Open Library has something for every reader. The website offers a seamless experience by providing options to borrow or download PDF files. Users simply need to create a free account to access this treasure trove of knowledge. Open Library also allows users to contribute by uploading and sharing their own PDF files, making it a collaborative platform for book enthusiasts. For those interested in academic resources, there are websites dedicated to providing free PDFs of research papers and scientific articles. One such website is Academia.edu, which allows researchers and scholars to share their work with a global audience. Users can download PDF files of research papers, theses, and dissertations covering a wide range of subjects. Academia.edu also provides a platform for discussions and networking within the academic community. When it comes to downloading Wwww Johndeer Wiring For 6600 free PDF files of magazines, brochures, and catalogs, Issuu is a popular choice. This digital publishing platform hosts a vast collection of publications from around the world. Users can search for specific titles or explore various categories and genres. Issuu offers a seamless reading experience with its user-friendly interface and allows users to download PDF files for offline reading. Apart from

dedicated platforms, search engines also play a crucial role in finding free PDF files. Google, for instance, has an advanced search feature that allows users to filter results by file type. By specifying the file type as "PDF," users can find websites that offer free PDF downloads on a specific topic. While downloading Www Johndeer Wiring For 6600 free PDF files is convenient, its important to note that copyright laws must be respected. Always ensure that the PDF files you download are legally available for free. Many authors and publishers voluntarily provide free PDF versions of their work, but its essential to be cautious and verify the authenticity of the source before downloading Www Johndeer Wiring For 6600. In conclusion, the internet offers numerous platforms and websites that allow users to download free PDF files legally. Whether its classic literature, research papers, or magazines, there is something for everyone. The platforms mentioned in this article, such as Project Gutenberg, Open Library, Academia.edu, and Issuu, provide access to a vast collection of PDF files. However, users should always be cautious and verify the legality of the source before downloading Www Johndeer Wiring For 6600 any PDF files. With these platforms, the world of PDF downloads is just a click away.

### **FAQs About Www Johndeer Wiring For 6600 Books**

How do I know which eBook platform is the best for me? Finding the best eBook platform depends on your reading preferences and device compatibility. Research different platforms, read user reviews, and explore their features before making a choice. Are free eBooks of good quality? Yes, many reputable platforms offer high-quality free eBooks, including classics and public domain works. However, make sure to verify the source to ensure the eBook credibility. Can I read eBooks without an eReader? Absolutely! Most eBook platforms offer web-based readers or mobile apps that allow you to read eBooks on your computer, tablet, or smartphone. How do I avoid digital eye strain while reading eBooks? To prevent digital eye strain, take regular breaks, adjust the font size and background color, and ensure proper lighting while reading eBooks. What the advantage of interactive eBooks? Interactive eBooks incorporate multimedia elements, quizzes, and activities, enhancing the reader engagement and providing a more immersive learning experience. Www Johndeer Wiring For 6600 is one of the best book in our library for free trial. We provide copy of Www Johndeer Wiring For 6600 in digital format, so the resources that you find are reliable. There are also many Ebooks of related with Www Johndeer Wiring For 6600. Where to download Www Johndeer Wiring For 6600 online for free? Are you looking for Www Johndeer Wiring For 6600 PDF? This is definitely going to save you time and cash in something you should think about.

**Find Www Johndeer Wiring For 6600 :**

[thermodynamics an engineering approach chapter 2](#)

*think thought math answers*

**think through math points hack**

**thermador pod301 podc302 podm301 podmw301user manual**

[thermochemistry equation practice problems](#)

*thermal engineering for diploma question papers*

*thermal radiation heat transfer 5th edition*

[the young lions by irwin shaw random house november 7 1948](#)

[thermador sgcs365rs cooktop manual](#)

[themes of liturgical calendars 2014](#)

**the yellow on the broom**

~~theme pollution preschool~~

*the world wars night two rising threat*

[thermo king b 060 manual](#)

[the wounding time](#)

**Www Johndeer Wiring For 6600 :**

**planets the quaint and quizzical cosmos english edition by** - Mar 29 2022

web planets the quaint and quizzical cosmos english edition by natalie del favero may not be the only living creatures in the universe these books are meant to stimulate

*planets quiz games4esl* - Apr 29 2022

web take the quiz below try this fun planets quiz and see how well you know the names and order of the planets in our solar system for each question you will see a picture of the

**planets 4 7k plays quizz** - Jan 27 2022

web the outer planets are larger in size than the inner planets true false 7 multiple choice 30 seconds 1 pt an au is the average distance between the sun and pluto any two

**planets the quaint and quizzical cosmos english e james h** - Jul 13 2023

web planets the quaint and quizzical cosmos english e when people should go to the book stores search start by shop shelf by



shelf it is in reality problematic this is why we

*the ultimate planets quiz beano com* - Dec 26 2021

web jun 27 2020 kick a ball about some soccer skills go for a nice walk do some funky dance moves go for a bike ride play a sport on my own play on my trampoline take

*planets the quaint and quizzical cosmos english e pdf* - Apr 10 2023

web feb 27 2023 currently this planets the quaint and quizzical cosmos english e as one of the most energetic sellers here will certainly be in the course of the best options to

**planets the quaint and quizzical cosmos english e pdf** - Mar 09 2023

web those all we have the funds for planets the quaint and quizzical cosmos english e and numerous book collections from fictions to scientific research in any way in the

**planets the quaint and quizzical cosmos english e pdf** - Jan 07 2023

web may 20 2023 planets the quaint and quizzical cosmos english e 2 9 downloaded from uniport edu ng on may 20 2023 by guest disappearing spoon follow carbon neon

**planets the quaint and quizzical cosmos english edition by** - Jul 01 2022

web planets the quaint and quizzical cosmos english edition by natalie del favero hugh howey molly fyde and the parsona rescue beyond infinity gregory benford download

planets the quaint and quizzical cosmos english edition by - Oct 24 2021

web cosmos but never learned grand theft cosmos doctor who the eighth doctor adventures 2 5 early earth the quaint and quizzical cosmos the human figure classic reprint by john h

planets the quaint and quizzical cosmos english e nicholas - Jun 12 2023

web planets the quaint and quizzical cosmos english e when somebody should go to the books stores search opening by shop shelf by shelf it is really problematic this is why

*planets the quaint and quizzical cosmos english e* - Nov 05 2022

web merely said the planets the quaint and quizzical cosmos english e is universally compatible with any devices to read planets the quaint and quizzical cosmos

**planets the quaint and quizzical cosmos english e pdf dev** - Feb 08 2023

web as this planets the quaint and quizzical cosmos english e it ends going on being one of the favored ebook planets the quaint and quizzical cosmos english e collections

**planets the quaint and quizzical cosmos english e pdf** - Aug 14 2023

web jun 11 2023 instead they juggled once some harmful virus inside their computer planets the quaint and quizzical

cosmos english e is comprehensible in our digital library an

**planets the quaint and quizzical cosmos english e pdf** - Oct 04 2022

web mar 19 2023 enjoy now is planets the quaint and quizzical cosmos english e below a dictionary of english synonymes and synonymous or parallel expressions designed

planets 241 plays quizizz - Feb 25 2022

web which planet comes after earth in the solar system 8 multiple choice the earth orbits around the sun 9 multiple choice scientists have been able to find no atmosphere

*planets the quaint and quizzical cosmos english edition by* - Sep 22 2021

web aug 18 2023 44 planet zero minus storytext tom swift indian english poetry pre independence era natalie del favero geisel school of medicine at miluve s items dress to

planets the quaint and quizzical cosmos english e - May 31 2022

web currently this planets the quaint and quizzical cosmos english e as one of the most full of life sellers here will certainly be among the best options to review planets the

*planets the quaint and quizzical cosmos english e pdf free* - May 11 2023

web planets the quaint and quizzical cosmos english e pdf pages 2 20 planets the quaint and quizzical cosmos english e pdf upload arnold l williamson 2 20

**planets the quaint and quizzical cosmos english edition by** - Aug 02 2022

web this third book the quaint and quizzical cosmos planets portrays the earth as our spaceship and gives life to the idea that we may not be the only living creatures in the

*planets the quaint and quizzical cosmos english e* - Dec 06 2022

web jan 16 2023 right here we have countless ebook planets the quaint and quizzical cosmos english e and collections to check out we additionally have enough money

**planets 1 2k plays quizizz** - Nov 24 2021

web which choice shows the correct order of the planets mars venus earth mercury jupiter saturn uranus neptune earth venus mars mercury jupiter saturn uranus pluto

planets the quaint and quizzical cosmos english edition by - Sep 03 2022

web planets the quaint and quizzical cosmos english edition by natalie del favero may 24th 2020 english pages 464 297 isbn 10 0446611573 isbn 13 9780446611572 file pdf

**l autonomia della catalogna a cura di raffaele me fernanda** - Jan 16 2023

web jan 22 2023 4731895 l autonomia della catalogna a cura di raffaele me 2 7 downloaded from help frey com on by guest

portugal na balança da europa jo

**l autonomia della catalogna a cura di raffaele me pdf** - Sep 24 2023

web l autonomia della catalogna a cura di raffaele me downloaded from beta atanet org by guest haney chris archivio storico siciliano pubblicazione periodica per cura della

l autonomia della catalogna a cura di raffaele me pdf - Jul 22 2023

web l autonomia della catalogna a cura di raffaele me 3 3 francisco franco mise in atto infatti una repressione veramente feroce con oltre 150 000 esecuzioni e 110 000 forzati

la catalogna vuole essere indipendente cioè libera - Jul 10 2022

web nov 11 2014 madrid gli aveva negato la ufficialit agrave ma la catalogna egrave andata avanti per conto suo per fare una conta interna e per mandare un messaggio al

**l autonomia della catalogna a cura di raffaele me pdf** - Dec 15 2022

web apr 4 2023 raffaele me getting the books l autonomia della catalogna a cura di raffaele me now is not type of inspiring means you could not single handedly going

**statuto di autonomia della catalogna wikipedia** - Feb 17 2023

web lo statuto di autonomia della catalogna fornisce la regolamentazione istituzionale di base per la regione situata nel nord est della spagna e regola l autonomia ed i margini di

l autonomia della catalogna a cura di raffaele me pdf - Oct 13 2022

web mar 12 2023 l autonomia della catalogna a cura di raffaele me 1 4 downloaded from uniport edu ng on march 12 2023 by guest l autonomia della catalogna a cura di

*l autonomia della catalogna a cura di raffaele me aa vv* - Sep 12 2022

web l autonomia della catalogna a cura di raffaele me if you ally infatuation such a referred l autonomia della catalogna a cura di raffaele me books that will present you

l autonomia della catalogna a cura di raffaele melis pilloni - Apr 19 2023

web discover and share books you love on goodreads

**la religione in catalogna shbarcelona** - May 08 2022

web mar 28 2022 la religione a barcellona e in catalogna cattolicesimo l area nota come penisola iberica in cui si trovano spagna e portogallo si è convertita al cristianesimo

**l autonomia della catalogna a cura di raffaele melis pilloni** - Mar 18 2023

web l autonomia della catalogna a cura di raffaele melis pilloni italian edition ebook pilloni raffaele melis rodero garcía carlos sánchez garcía marta sánchez garcía

**curatela e monografia definizioni e violazioni del diritto d autore** - Apr 07 2022

web jun 26 2014 curatela e monografia definizioni e violazioni del diritto d autore di maria panetta la parola curatela deriva dal verbo latino curare ossia prendersi cura di e

**download solutions l autonomia della catalogna a cura di** - May 20 2023

web l autonomia della catalogna a cura di raffaele me reti marittime come fattori dell integrazione europea maritime networks as a factor in

l autonomia della catalogna a cura di raffaele melis pilloni - Jun 21 2023

web l autonomia della catalogna a cura di raffaele melis pilloni ebook pilloni raffaele melis rodero garcía carlos sánchez garcía marta sánchez garcía marta

l autonomia della catalogna a cura di raffaele me copy - Jun 09 2022

web may 17 2023 l autonomia della catalogna a cura di raffaele me 1 1 downloaded from uniport edu ng on may 17 2023 by guest l autonomia della catalogna a cura di

**l autonomia della catalogna a cura di raffaele me pdf** - Aug 23 2023

web l autonomia della catalogna a cura di raffaele me barcellona e catalogna annali del seminario giuridico 2005 2006 la spagna che è dentro di noi cronistoria della guerra

manuela catalogna operatrice di riconnessione liv iii the - Mar 06 2022

web visualizza il profilo di manuela catalogna su linkedin la più grande comunità professionale al mondo manuela ha indicato 1 esperienza lavorativa sul suo profilo la segretaria

**l autonomia della catalogna a cura di raffaele me full pdf** - Feb 05 2022

web l autonomia delle comunità territoriali profili costituzionali la spagna che è dentro di noi identità e autonomia in sardegna e scozia le suites per violoncello spagna

*l autonomia della catalogna a cura di raffaele me pdf* - Nov 14 2022

web apr 19 2023 l autonomia della catalogna a cura di raffaele me 2 6 downloaded from uniport edu ng on april 19 2023 by guest l ordine pubblico un equilibrio fra il disordine

**l autonomia della catalogna a cura di raffaele me copy** - Dec 03 2021

web l autonomia della catalogna a cura di raffaele me downloaded from dev awamaki org by guest mills greyson turbare una stella touring editore gramsci fra i fondatori

**l autonomia della catalogna a cura di raffaele me** - Aug 11 2022

web it is your totally own mature to ham it up reviewing habit among guides you could enjoy now is l autonomia della catalogna a cura di raffaele me below contours of the middle

**I autonomia della catalogna a cura di raffaele me pdf** - Jan 04 2022

web 2 l autonomia della catalogna a cura di raffaele me 2021 11 15 la civiltà cattolica routledge nuova antologia di lettere scienze ed arti spagna settentrionale mimesis

**business research methods donald r cooper** - Jul 02 2022

web jan 1 2007 donald r cooper ph d dr cooper s specialty is research methods statistics and organizational behavior he has taught in the masters mba executive

*donald cooper google scholar* - Dec 07 2022

web nov 18 2020 business research methods 5th ed by donald r cooper 2 00 1 rating 51 want to read 7 currently reading 0 have read this edition doesn t have a

*business research methods donald r cooper pamela s* - Apr 11 2023

web aug 26 2010 business research methods donald r cooper pamela s schindler mcgraw hill irwin 2011 business 761 pages students and instructors will find

**business research methods donald r cooper pamela s** - Feb 09 2023

web 65 38 1999 2000 2001 2002 2003 2004 2005 2007 follow donald cooper retired professor florida atlantic university no verified email research methods stat org

**business research methods 12th edition google books** - Aug 15 2023

web feb 1 2013 the twelfth edition of business research methods reflects a thoughtful revision of a market standard students and professors will find thorough current

*business research methods mcgraw hill irwin by donald r* - Mar 30 2022

web business research methods paperback illustrated 1 july 2017 by donald cooper author pamela schindler author j k sharma author 4 0 25 ratings see all formats

[business research methods donald r cooper pamela s](#) - Sep 04 2022

web jan 1 2008 business research methods 145 48 2 only 1 left in stock order soon in its anniversary 10th edition authors cooper and schindler continue to provide the most

**business research methods cooper donald r** - May 12 2023

web cooper and schindler s business research methods offers students and instructors thorough coverage of business research topics backed by solid theory the authors are

**business research methods by donald r cooper open library** - Oct 05 2022

web mar 15 2023 business research methods international edition by donald r cooper pamela s schindler 2003 mcgraw hill edition paperback in english business

**business research methods donald cooper pamela** - Jun 13 2023

web aug 26 2010 donald cooper pamela schindler mcgraw hill education aug 26 2010 business economics 784 pages the eleventh edition of business research

**business research methods sie 12th edition paperback** - Feb 26 2022

web feb 4 2023 previews available in english subjects industrial management research recherche onderzoek bedrijfsleven gestion d entreprise onderzoeksmethoden

[business research methods cooper donald r amazon com](#) - Oct 25 2021

**buy business research methods book online at low prices in** - Jan 28 2022

web jan 1 2006 donald r cooper ph d dr cooper s specialty is research methods statistics and organizational behavior he has taught in the masters mba executive

[business research methods by donald r cooper open library](#) - Dec 27 2021

web oct 1 2005 donald r cooper ph d dr cooper s specialty is research methods statistics and organizational behavior he has taught in the masters mba executive

**business research methods donald r cooper pamela s** - Apr 30 2022

web business research methods sie 12th edition paperback 21 july 2018 by donald r cooper author pamela s schindler author j k sharma author 0 more 4 4 4 4

[business research methods international edition by donald r](#) - Aug 03 2022

web cooper and schindler s business research methods offers students and instructors thorough coverage of business research topics backed by solid theory the authors are

**business research methods donald r cooper pamela s** - Jun 01 2022

web aug 26 2010 the eleventh edition of business research methods continues to provide the most timely richest and most comprehensive coverage of the research experience

**business research methods donald r cooper pamela s** - Jul 14 2023

web business research methods donald r cooper pamela s schindler mcgraw hill education mar 5 2013 business economics 720 pages the twelfth edition of

[business research methods by donald r cooper open library](#) - Jan 08 2023

web by cooper donald r publication date 2003 topics management research business research affaires recherche publisher boston ma mcgraw

**business research methods paperback jan 01 2006 donald** - Nov 25 2021

**business research methods 12th edition donald r** - Mar 10 2023

web aug 19 2010 previews available in english subjects industrial management research recherche onderzoek bedrijfsleven  
gestion d entreprise onderzoeksmethoden

business research methods cooper donald r archive org - Nov 06 2022

web business research methods volume 1 donald r cooper pamela s schindler mcgraw hill 2006 business economics 744  
pages this book offers students and instructors