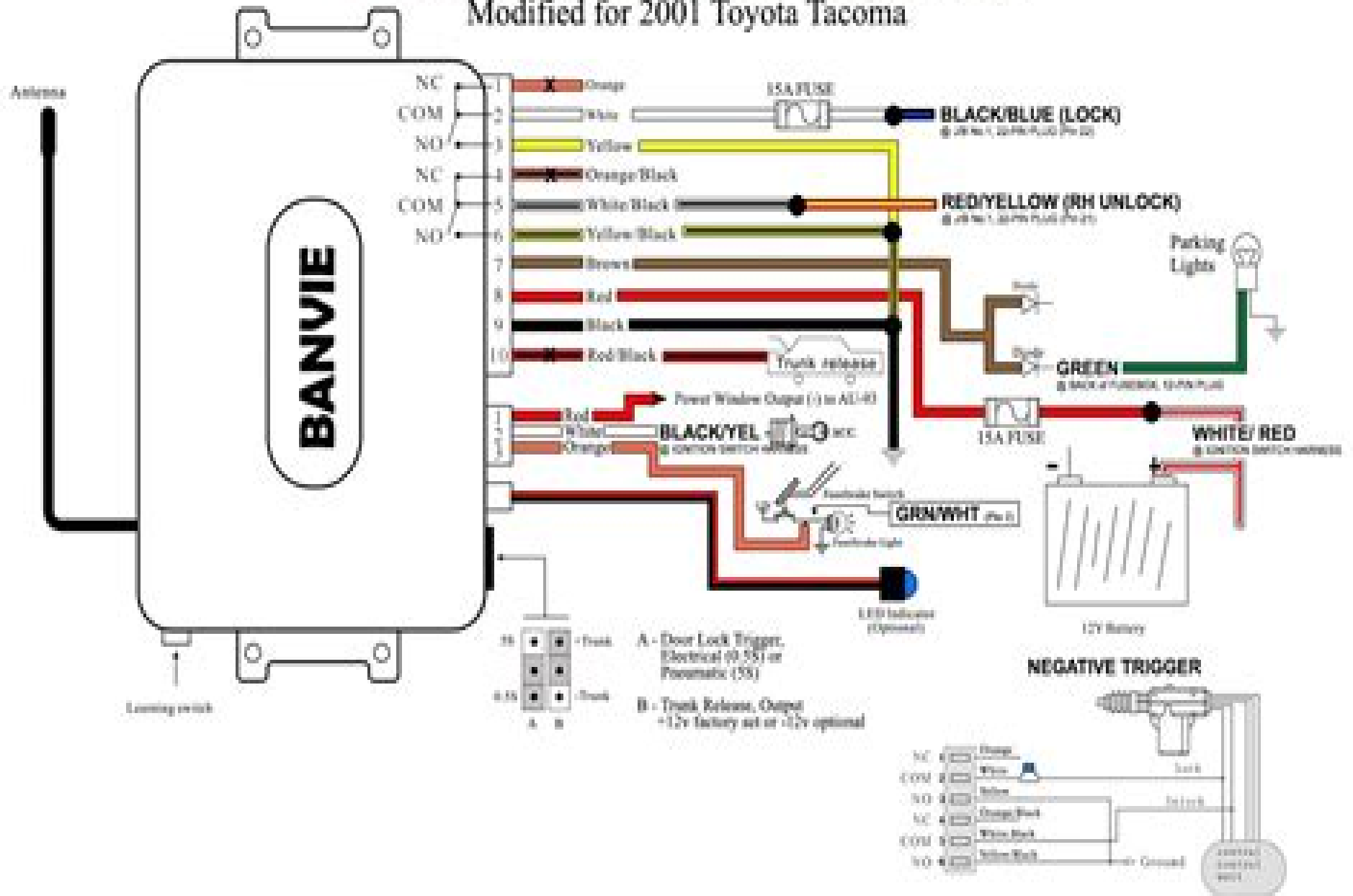


Installation Diagram

Modified for 2001 Toyota Tacoma



Toyota Camry Wiring Diagram Keyless Entry

Toyota Jidōsha Kabushiki Kaisha



Toyota Camry Wiring Diagram Keyless Entry:

Motor Air Conditioner & Heater Manual ,1988-01-01 **Toyota Electrical Wiring Diagram Supplement** ,1989
Toyota Electrical Wiring Diagram ,1987 **Toyota Camry Electrical Wiring Diagram** Toyota Jidōsha Kabushiki
Kaisha,19?? Toyota Camry Electrical Wiring Diagram ,1987 Boyce's Wiring Diagram Manual: Toyota, Camry SXV20R
2.2L 97-02, Camry MCV20R 97-202 ,2001 **Toyota Camry Electrical Wiring Diagram, 1983 Model** ,1984 *Toyota*
Camry Electrical Wiring Diagram, 1984 Model ,1984 Toyota Camry Electrical Wiring Diagram ,1997 The New York
Times Index ,1988 Toyota Camry electrical wiring diagram ,1993 **Toyota Electrical Wiring Diagram** ,1982
Toyota Camry Wagon Electrical Wiring Diagram ,1998 Toyota Electrical Wiring Diagram, Camry 1989 Model Toyota
Jidōsha Kabushiki Kaisha,1988 Toyota Electrical Wiring Diagram, Camry 1986 Model Toyota Jidōsha Kabushiki
Kaisha,1985 **Toyota Camry Automotive Repair Manual** Robert Phillip Maddox,John Harold Haynes,1999 Models
covered all Toyota Camry models 1992 through 1996 **Toyota Camry Automotive Repair Manual** Robert Phillip
Maddox,Jay Storer,John Harold Haynes,2008 **Toyota Electrical Wiring Diagram, 1979 Model** Toyota Motor
Corp,1979 Toyota Electrical Wiring Diagram for U.S.A. & Canada Toyota Jidōsha Hanbai Kabushiki Kaisha,1976
Toyota Electrical Wiring Diagram, Starlet, 1983 Model ,1982

Thank you utterly much for downloading **Toyota Camry Wiring Diagram Keyless Entry**. Maybe you have knowledge that, people have look numerous times for their favorite books once this Toyota Camry Wiring Diagram Keyless Entry, but end occurring in harmful downloads.

Rather than enjoying a good ebook like a cup of coffee in the afternoon, otherwise they juggled in the same way as some harmful virus inside their computer. **Toyota Camry Wiring Diagram Keyless Entry** is approachable in our digital library an online access to it is set as public in view of that you can download it instantly. Our digital library saves in merged countries, allowing you to acquire the most less latency times to download any of our books with this one. Merely said, the Toyota Camry Wiring Diagram Keyless Entry is universally compatible like any devices to read.

https://movement.livewellcolorado.org/public/virtual-library/HomePages/vista_20se_programming_manual.pdf

Table of Contents Toyota Camry Wiring Diagram Keyless Entry

1. Understanding the eBook Toyota Camry Wiring Diagram Keyless Entry
 - The Rise of Digital Reading Toyota Camry Wiring Diagram Keyless Entry
 - Advantages of eBooks Over Traditional Books
2. Identifying Toyota Camry Wiring Diagram Keyless Entry
 - Exploring Different Genres
 - Considering Fiction vs. Non-Fiction
 - Determining Your Reading Goals
3. Choosing the Right eBook Platform
 - Popular eBook Platforms
 - Features to Look for in an Toyota Camry Wiring Diagram Keyless Entry
 - User-Friendly Interface
4. Exploring eBook Recommendations from Toyota Camry Wiring Diagram Keyless Entry
 - Personalized Recommendations
 - Toyota Camry Wiring Diagram Keyless Entry User Reviews and Ratings

- Toyota Camry Wiring Diagram Keyless Entry and Bestseller Lists
- 5. Accessing Toyota Camry Wiring Diagram Keyless Entry Free and Paid eBooks
 - Toyota Camry Wiring Diagram Keyless Entry Public Domain eBooks
 - Toyota Camry Wiring Diagram Keyless Entry eBook Subscription Services
 - Toyota Camry Wiring Diagram Keyless Entry Budget-Friendly Options
- 6. Navigating Toyota Camry Wiring Diagram Keyless Entry eBook Formats
 - ePub, PDF, MOBI, and More
 - Toyota Camry Wiring Diagram Keyless Entry Compatibility with Devices
 - Toyota Camry Wiring Diagram Keyless Entry Enhanced eBook Features
- 7. Enhancing Your Reading Experience
 - Adjustable Fonts and Text Sizes of Toyota Camry Wiring Diagram Keyless Entry
 - Highlighting and Note-Taking Toyota Camry Wiring Diagram Keyless Entry
 - Interactive Elements Toyota Camry Wiring Diagram Keyless Entry
- 8. Staying Engaged with Toyota Camry Wiring Diagram Keyless Entry
 - Joining Online Reading Communities
 - Participating in Virtual Book Clubs
 - Following Authors and Publishers Toyota Camry Wiring Diagram Keyless Entry
- 9. Balancing eBooks and Physical Books Toyota Camry Wiring Diagram Keyless Entry
 - Benefits of a Digital Library
 - Creating a Diverse Reading Collection Toyota Camry Wiring Diagram Keyless Entry
- 10. Overcoming Reading Challenges
 - Dealing with Digital Eye Strain
 - Minimizing Distractions
 - Managing Screen Time
- 11. Cultivating a Reading Routine Toyota Camry Wiring Diagram Keyless Entry
 - Setting Reading Goals Toyota Camry Wiring Diagram Keyless Entry
 - Carving Out Dedicated Reading Time
- 12. Sourcing Reliable Information of Toyota Camry Wiring Diagram Keyless Entry
 - Fact-Checking eBook Content of Toyota Camry Wiring Diagram Keyless Entry
 - Distinguishing Credible Sources

13. Promoting Lifelong Learning
 - Utilizing eBooks for Skill Development
 - Exploring Educational eBooks
14. Embracing eBook Trends
 - Integration of Multimedia Elements
 - Interactive and Gamified eBooks

Toyota Camry Wiring Diagram Keyless Entry Introduction

In today's digital age, the availability of Toyota Camry Wiring Diagram Keyless Entry books and manuals for download has revolutionized the way we access information. Gone are the days of physically flipping through pages and carrying heavy textbooks or manuals. With just a few clicks, we can now access a wealth of knowledge from the comfort of our own homes or on the go. This article will explore the advantages of Toyota Camry Wiring Diagram Keyless Entry books and manuals for download, along with some popular platforms that offer these resources. One of the significant advantages of Toyota Camry Wiring Diagram Keyless Entry books and manuals for download is the cost-saving aspect. Traditional books and manuals can be costly, especially if you need to purchase several of them for educational or professional purposes. By accessing Toyota Camry Wiring Diagram Keyless Entry versions, you eliminate the need to spend money on physical copies. This not only saves you money but also reduces the environmental impact associated with book production and transportation. Furthermore, Toyota Camry Wiring Diagram Keyless Entry books and manuals for download are incredibly convenient. With just a computer or smartphone and an internet connection, you can access a vast library of resources on any subject imaginable. Whether you're a student looking for textbooks, a professional seeking industry-specific manuals, or someone interested in self-improvement, these digital resources provide an efficient and accessible means of acquiring knowledge. Moreover, PDF books and manuals offer a range of benefits compared to other digital formats. PDF files are designed to retain their formatting regardless of the device used to open them. This ensures that the content appears exactly as intended by the author, with no loss of formatting or missing graphics. Additionally, PDF files can be easily annotated, bookmarked, and searched for specific terms, making them highly practical for studying or referencing. When it comes to accessing Toyota Camry Wiring Diagram Keyless Entry books and manuals, several platforms offer an extensive collection of resources. One such platform is Project Gutenberg, a nonprofit organization that provides over 60,000 free eBooks. These books are primarily in the public domain, meaning they can be freely distributed and downloaded. Project Gutenberg offers a wide range of classic literature, making it an excellent resource for literature enthusiasts. Another popular platform for Toyota Camry Wiring Diagram Keyless Entry books and manuals is Open Library. Open Library is an initiative of the Internet

Archive, a non-profit organization dedicated to digitizing cultural artifacts and making them accessible to the public. Open Library hosts millions of books, including both public domain works and contemporary titles. It also allows users to borrow digital copies of certain books for a limited period, similar to a library lending system. Additionally, many universities and educational institutions have their own digital libraries that provide free access to PDF books and manuals. These libraries often offer academic texts, research papers, and technical manuals, making them invaluable resources for students and researchers. Some notable examples include MIT OpenCourseWare, which offers free access to course materials from the Massachusetts Institute of Technology, and the Digital Public Library of America, which provides a vast collection of digitized books and historical documents. In conclusion, Toyota Camry Wiring Diagram Keyless Entry books and manuals for download have transformed the way we access information. They provide a cost-effective and convenient means of acquiring knowledge, offering the ability to access a vast library of resources at our fingertips. With platforms like Project Gutenberg, Open Library, and various digital libraries offered by educational institutions, we have access to an ever-expanding collection of books and manuals. Whether for educational, professional, or personal purposes, these digital resources serve as valuable tools for continuous learning and self-improvement. So why not take advantage of the vast world of Toyota Camry Wiring Diagram Keyless Entry books and manuals for download and embark on your journey of knowledge?

FAQs About Toyota Camry Wiring Diagram Keyless Entry Books

How do I know which eBook platform is the best for me? Finding the best eBook platform depends on your reading preferences and device compatibility. Research different platforms, read user reviews, and explore their features before making a choice. Are free eBooks of good quality? Yes, many reputable platforms offer high-quality free eBooks, including classics and public domain works. However, make sure to verify the source to ensure the eBook credibility. Can I read eBooks without an eReader? Absolutely! Most eBook platforms offer webbased readers or mobile apps that allow you to read eBooks on your computer, tablet, or smartphone. How do I avoid digital eye strain while reading eBooks? To prevent digital eye strain, take regular breaks, adjust the font size and background color, and ensure proper lighting while reading eBooks. What the advantage of interactive eBooks? Interactive eBooks incorporate multimedia elements, quizzes, and activities, enhancing the reader engagement and providing a more immersive learning experience. Toyota Camry Wiring Diagram Keyless Entry is one of the best book in our library for free trial. We provide copy of Toyota Camry Wiring Diagram Keyless Entry in digital format, so the resources that you find are reliable. There are also many Ebooks of related with Toyota Camry Wiring Diagram Keyless Entry. Where to download Toyota Camry Wiring Diagram Keyless Entry online for free? Are you looking for Toyota Camry Wiring Diagram Keyless Entry PDF? This is definitely going to save you time and cash in something

you should think about. If you trying to find then search around for online. Without a doubt there are numerous these available and many of them have the freedom. However without doubt you receive whatever you purchase. An alternate way to get ideas is always to check another Toyota Camry Wiring Diagram Keyless Entry. This method for see exactly what may be included and adopt these ideas to your book. This site will almost certainly help you save time and effort, money and stress. If you are looking for free books then you really should consider finding to assist you try this. Several of Toyota Camry Wiring Diagram Keyless Entry are for sale to free while some are payable. If you arent sure if the books you would like to download works with for usage along with your computer, it is possible to download free trials. The free guides make it easy for someone to free access online library for download books to your device. You can get free download on free trial for lots of books categories. Our library is the biggest of these that have literally hundreds of thousands of different products categories represented. You will also see that there are specific sites catered to different product types or categories, brands or niches related with Toyota Camry Wiring Diagram Keyless Entry. So depending on what exactly you are searching, you will be able to choose e books to suit your own need. Need to access completely for Campbell Biology Seventh Edition book? Access Ebook without any digging. And by having access to our ebook online or by storing it on your computer, you have convenient answers with Toyota Camry Wiring Diagram Keyless Entry To get started finding Toyota Camry Wiring Diagram Keyless Entry, you are right to find our website which has a comprehensive collection of books online. Our library is the biggest of these that have literally hundreds of thousands of different products represented. You will also see that there are specific sites catered to different categories or niches related with Toyota Camry Wiring Diagram Keyless Entry So depending on what exactly you are searching, you will be able to choose ebook to suit your own need. Thank you for reading Toyota Camry Wiring Diagram Keyless Entry. Maybe you have knowledge that, people have search numerous times for their favorite readings like this Toyota Camry Wiring Diagram Keyless Entry, but end up in harmful downloads. Rather than reading a good book with a cup of coffee in the afternoon, instead they juggled with some harmful bugs inside their laptop. Toyota Camry Wiring Diagram Keyless Entry is available in our book collection an online access to it is set as public so you can download it instantly. Our digital library spans in multiple locations, allowing you to get the most less latency time to download any of our books like this one. Merely said, Toyota Camry Wiring Diagram Keyless Entry is universally compatible with any devices to read.

Find Toyota Camry Wiring Diagram Keyless Entry :

vista 20se programming manual

vivre enfin vraie dmocratie rvolutionnaire

~~vivre le cancer du sein autrement~~

vivitar vivicam x029 instruction manual

[vizio manual m321i-a2](#)

[vipros 357 manual](#)

vivitar 283 auto thyristor

[viper 4704 installation guide](#)

[vizio tv reviews manual](#)

[vistas 4th edition lab manual answer](#)

virginia vacation guide

[vivitar refractor telescope manual](#)

vivre en silence et immobiliteacute

[vire desire of blood desires of blood book english edition](#)

vizio 47 inch smart tv manual

Toyota Camry Wiring Diagram Keyless Entry :

beliefs about text and instruction with text edition 1 - Feb 07 2023

web aug 1 1994 overview every day in classrooms teachers and students think about and with text their beliefs about what text is who created it and how to evaluate it are an

[77 synonyms antonyms for beliefs thesaurus com](#) - Dec 25 2021

web find 77 different ways to say beliefs along with antonyms related words and example sentences at thesaurus com

[beliefs about text and instruction with text apa psycnet](#) - Oct 15 2023

web citation garner r alexander p a eds 1994 beliefs about text and instruction with text lawrence erlbaum associates inc abstract beliefs about text is an active

beliefs about text and instruction with text google books - Aug 13 2023

web this book brings together research on epistemology belief systems teacher beliefs and text research that is usually presented separately and in different disciplines the

beliefs about text and instruction with text 1st edition ruth - Jun 11 2023

web every day in classrooms teachers and students think about and with text their beliefs about what text is who created it and how to evaluate it are an influence often a

why don t americans believe inflation is coming down - Oct 23 2021

web nov 15 2023 to an economist looking at the government cpi report that came out tuesday it is clear that inflation is

receding over the past 12 months the overall cpi is

beliefs about text and instruction with text google play - Jan 06 2023

web beliefs about text and instruction with text ebook written by ruth garner patricia a alexander read this book using google play books app on your pc android ios

beliefs about text and instruction with text open library - Oct 03 2022

web mar 8 2023 beliefs about text and instruction with text by patricia a alexander 1994 l erlbaum associates routledge l erlbaum edition in english

beliefs about text and instruction with text 1st edition vitalsource - Apr 28 2022

web beliefs about text and instruction with text 1st edition and published by routledge the digital and etextbook isbn for beliefs about text and instruction with text are

beliefs about text and instruction with text by ruth garner us - Mar 28 2022

web ships from and sold by experal singapore publisher taylor francis inc isbn 13 9780805814279 condition brandnew binding paperback pages 344 dimensons 229 x

beliefs about text and instruction with text paperback amazon - Jul 12 2023

web beliefs about text and instruction with text addresses these important questions in a timely ground breaking volume no dull scholarly treatise this rather a creative highly

beliefs about text and instruction with text goodreads - Mar 08 2023

web beliefs about text and instruction with text ruth garner editor 0 00 0ratings0reviews want to read kindle 66 45 rate this book 344 pages ebook published june 11 2016

cbse bhakti sufi traditions changes in religious beliefs and - Jan 26 2022

web 2 hours ago bhakti sufi traditions changes in religious beliefs and devotional texts c eighth to eighteenth century class 12 mcqs this article provides a comprehensive list

beliefs about text and instruction with text 9780805814262 - May 30 2022

web their beliefs about what text is who created it and how to evaluate it are an influence often a profoundly important one on how they use text this book brings together

beliefs about text and instruction with text perlego - Sep 02 2022

web ebook epub beliefs about text and instruction with text ruth garner patricia a alexander ruth garner patricia a alexander book details book preview table of

beliefs about text and instruction with text hardcover amazon - Jun 30 2022

web beliefs about text and instruction with text garner ruth alexander patricia a amazon sg books

[belief facts for kids](#) - Sep 21 2021

web oct 16 2023 a belief is a firm thought that something is true often based on revelation belief is usually a part of belonging to a religion it is different to scientific

beliefs about text and instruction with text open library - Aug 01 2022

web beliefs about text and instruction with text by patricia a alexander 2019 taylor francis group edition in english

beliefs about text and instruction with text abebooks - Nov 04 2022

web this book brings together research on epistemology belief systems teacher beliefs and text research that is usually presented separately and in different disciplines the

believes vs beliefs how to use each correctly - Feb 24 2022

web oct 14 2019 believes is a verb meaning to suppose something or to think something is credible beliefs is the noun form of believe it means something one thinks seems likely

[2311 08788 x eval generalizable multi aspect text evaluation](#) - Nov 23 2021

web 1 day ago natural language generation nlg typically involves evaluating the generated text in various aspects e g consistency and naturalness to obtain a comprehensive

beliefs about text and instruction with text amazon com - Dec 05 2022

web jun 6 2019 beliefs about text and instruction with text addresses these important questions in a timely ground breaking volume no dull scholarly treatise this rather a

relationship between teachers beliefs and their instructional - May 10 2023

web anders pl evans ks 2019 relationship between teachers beliefs and their instructional practice in reading in beliefs about text and instruction with text

beliefs about text and instruction with text ruth garner - Sep 14 2023

web jun 17 2019 this book brings together research on epistemology belief systems teacher beliefs and text research that is usually presented separately and in different

beliefs about text and instruction with text on apple books - Apr 09 2023

web jun 6 2019 this book brings together research on epistemology belief systems teacher beliefs and text research that is usually presented separately and in different

read ordeal by linda lovelace online for free - Sep 15 2023

web on april 3 2002 linda sustained severe injuries when her suv rolled over on april 22 surrounded by her two children and larry marchiano she was taken off life support lost on no one was the coincidence that it was also an auto accident that

[ordeal linda lovelace 4shared help environment harvard edu](#) - Jul 01 2022

web ordeal linda lovelace 4shared yeah reviewing a books ordeal linda lovelace 4shared could amass your near contacts listings this is just one of the solutions for you to be successful as understood skill does not recommend that you have fantastic points comprehending as without difficulty as deal even more than extra will provide

ordeal linda lovelace 4shared alpaca awamaki org - Aug 02 2022

web ordeal linda lovelace 4shared downloaded from alpaca awamaki org by guest lewis nylah london dynasty the passionate pen he said i taught him how to dream maybe he taught me too but when fate brings the strongest man i know to his knees dreams aren t enough to save us but true love doesn t fade to silence after a single verse

ordeal lovelace linda free download borrow and streaming - Oct 16 2023

web ordeal lovelace linda free download borrow and streaming internet archive

ordeal by linda lovelace ebook ebooks com - Feb 08 2023

web less than two years later the girl who wouldn t let her high school dates get past first base was catapulted to fame she could never have imagined in her wildest dreams or worst nightmares linda boreman of yonkers new york had become linda lovelace international adult film superstar

ordeal linda lovelace 4shared careersatdot com - Nov 05 2022

web ordeal linda lovelace 4shared 1 ordeal linda lovelace 4shared london dynasty in the tycoon s debt mills boon modern ride me dirty death in florence a year in europe book 2 kundalini exposed mia s scandal preparing to teach in the lifelong learning sector the billionaire s proposal part 2

[linda lovelace ordeal pdf ramfiles](#) - Dec 06 2022

web jan 21 2017 ordeal linda lovelace 13 09 2016 2 2 ordeal linda lovelace other files available to download ordeal has 1 295 ratings and 168 reviews manny said yesterday i reviewed inside linda lovelace one of the books lovelace wrote while she was still in i couldn t put this down this is the first memoir i have ever read about someone in

ordeal linda lovelace 4shared secure4 khronos - Oct 04 2022

web jun 11 2023 if you attempt to retrieve and install the ordeal linda lovelace 4shared it is entirely plain then currently we extend the associate to buy and create bargains to fetch and implement ordeal linda lovelace 4shared therefore simple

[ordeal linda lovelace 4shared pdf copy elections freep](#) - Feb 25 2022

web extraordinary within the captivating pages of ordeal linda lovelace 4shared pdf a literary masterpiece penned with a renowned author readers set about a transformative journey unlocking the secrets and untapped potential embedded within each word in this evaluation we shall explore the book is core

ordeal linda lovelace 4shared - Jan 07 2023

web ordeal linda lovelace 4shared soup it up sep 03 2022 thai cuisine is known for their use of fresh ingredients and cooked

with an aromatic blend of spices producing food that delights both your sense of taste and smell of course this is also quite true for their soups

ordeal linda lovelace 4shared pantera adecco com - Apr 29 2022

web 4 ordeal linda lovelace 4shared 2022 12 14 wild wind a chaos novella createspace independent publishing platform accent on achievement is a revolutionary best selling band method that will excite and stimulate your students through full color pages and the most complete collection of classics and world music in any band method the

ordeal linda lovelace 4shared cdn writermag com - Mar 29 2022

web 4 ordeal linda lovelace 4shared 2022 09 24 don t have to choose they both want me together the three of us i was meant to be theirs joseph my sweet first love and marco his sternly intimidating best friend i know they re dangerous men but being with them doesn t feel wrong when they hold me in their arms i feel safe cherished i m

ordeal linda lovelace 4shared db csda org - May 11 2023

web 4 ordeal linda lovelace 4shared 2019 12 09 emotional journey captivating romance emotional healing hot hot romance forbidden love sparks loyalty swoon funny romance modern romance new release forbidden romance boy band childhood crush friends to lovers one night stand second chance romance hidden romance strong alpha alpha

ordeal linda lovelace google books - Apr 10 2023

web dec 27 2005 ordeal linda lovelace citadel press dec 27 2005 biography autobiography 253 pages linda lovelace became a household name in 1972 when deep throat a film made for only 25 000 became the first pornographic movie ever to cross over to mainstream audiences to the tune of 600 million and counting

ordeal linda lovelace 4shared pdf pdf jidychitta com - Jul 13 2023

web may 16 2023 you may not be perplexed to enjoy all books collections ordeal linda lovelace 4shared pdf that we will definitely offer it is not vis vis the costs its roughly what you craving currently this ordeal linda lovelace 4shared pdf as one of the most full of zip sellers here will definitely be along with the best options to review

ordeal linda lovelace 4shared darelova - Sep 03 2022

web may 14 2023 4shared ordeal by linda lovelace a for books sake review a for books sake review of linda lovelace s tell all memoir on the abuse and exploitation she suffered during her time in the years that followed linda lovelace seemed to make the most of her status as star of the world s first theatrically released porn film only to

ordeal lovelace linda 9780425104392 amazon com au - Mar 09 2023

web ordeal lovelace linda on amazon com au free shipping on eligible orders ordeal

linda lovelace wikipedia - Jun 12 2023

web linda lovelace born linda susan boreman january 10 1949 april 22 2002 was an american pornographic actress who

became famous for her performance in the 1972 hardcore film deep throat although the film was an enormous success boreman later alleged that her abusive husband chuck traynor had threatened and coerced her into [ordeal by linda lovelace open library](#) - Aug 14 2023

web 1 have read this edition doesn t have a description yet can you add one publish date february 1 1981 publisher berkley previews available in english subjects biography linda lovelace motion picture actors and actresses moving picture actors and actresses prostitutes actors biography people linda lovelace places united states

ordeal linda lovelace 4shared ctwelland clearfit com - May 31 2022

web jan 8 2023 4730014 ordeal linda lovelace 4shared 1 6 downloaded from ctwelland clearfit com on by guest ordeal linda lovelace 4shared if you ally dependence such a referred ordeal linda lovelace 4shared book that will allow you worth get the very best seller from us currently from several preferred authors if you want to hilarious

[rally navigation develop winning skills with advi pdf uniport edu](#) - Sep 04 2022

web jun 5 2023 rally navigation develop winning skills with advi is available in our digital library an online access to it is set as public so you can get it instantly our book servers hosts in multiple locations allowing you to get the most less latency time to download

rally navigation develop winning skills with advi copy - Dec 27 2021

web right here we have countless books rally navigation develop winning skills with advi and collections to check out we additionally offer variant types and as well as type of the books to browse the tolerable book fiction history novel scientific research as capably as various additional sorts of books are readily understandable here as

course overviews rally navigation training services - Dec 07 2022

web course 1 introduction to tulip roadbooks one hour webinar on tulip roadbooks regularly used on historic road rallies scenic tours and stage rallies for navigating the route learn the basics and the skills needed to ensure that you go the right way

rally navigation part 1 historicroadrally co uk - Jun 01 2022

web the ordnance survey landranger 1 50 000 series sheet 189 edition c revised 1997 this is the latest edition of the map that covers my home territory and which is regularly used by the blackpalfrey and other local motor clubs for rallies this map sheet will cost you 4 95 at any good bookshop

[rally navigation develop winning skills with advi pdf](#) - Apr 30 2022

web advi 1 rally navigation develop winning skills with advi right here we have countless book rally navigation develop winning skills with advi and collections to check out we additionally allow variant types and moreover type of the books to browse the within acceptable limits book fiction history novel scientific research as

rally navigation develop winning skills with advi pdf copy - Aug 15 2023

web rally navigation develop winning skills with advi pdf pages 2 19 rally navigation develop winning skills with advi pdf upload mita r ferguson 2 19 downloaded from snapshot segmetrics io on august 31 2023 by mita r ferguson provides professional administrators and nursing students with a comprehensive overview of management

rally navigation develop winning skills with advi pdf copy - Jul 14 2023

web rally navigation develop winning skills with advi pdf pages 2 4 rally navigation develop winning skills with advi pdf upload suny e paterson 2 4 downloaded from features kualumni org on september 6 2023 by suny e paterson collection of interviews with experts covering every aspect of present day rally navigation from club level to

subscriptions rally navigator - Nov 06 2022

web premium 49 per year roadbooks for personal use mobile app rally roadbook reader get advanced features print roadbooks with detailed tulips cap heading gps coordinates and navigation icons direct to pdf roadbook printing mapbox roads routing functions snap track to road

rally navigation develop winning skills with advi book - Jun 13 2023

web the authors using the techniques in winning the big ones have helped their clients win over 286 billion in contract awards with an 86 win rate this book describes how capture teams pursue and win large contracts learn how top performing capture teams pursue and win large contracts structure your

rally navigator rally roadbook system - Jan 08 2023

web click for more info and download 2 0 rally navigator streamlines the process of creating rally navigation roadbooks using the power of digital mapping and gps design your route add waypoint details and produce fia specification rally roadbook pdf matching gpx file for cross country and road stage rally events create

rally navigation develop winning skills with advi 2022 vod - Oct 05 2022

web 4 rally navigation develop winning skills with advi 2021 06 14 beetle a new york central train outfitted with jet engines the yacht that cost more than some countries gdp around the world in 25 ways a car without a driver a look at how a jet engine works ghost planes and haunted ships pal newman buys a beetle the origin of

rally navigation develop winning skills with advi pdf - Feb 26 2022

web apr 8 2023 those all we meet the expense of rally navigation develop winning skills with advi pdf and numerous book collections from fictions to scientific research in any way accompanied by them is this rally navigation develop winning skills with advi pdf that can be your partner

rally navigation develop winning skills with advi sexybots - Jan 28 2022

web mar 30 2023 rally navigation develop winning skills with advi right here we have countless book rally navigation

develop winning skills with advi and collections to check out we additionally pay for variant types and as a consequence type of the books to browse the normal book fiction history novel scientific research as without

rally navigation develop winning skills with advice from the - May 12 2023

web may 28 2023 develop winning skills with advice from the experts by martin holmes by online rally navigation develop winning skills with advice from the experts by martin holmes is available in our text compilation an online access to it is set as public so you can get it instantly

rally navigation develop winning skills with advi the doctor co - Mar 30 2022

web 4 rally navigation develop winning skills with advi 2022 07 23 the information you need to enjoy a casual day on the trails or to compete year round wrenching the best of dirt rider magazine s dr dirt feature providing step by step tutorials for repairs of all kinds suspension a bike s suspension is vital expensive to fix and

rally navigation develop winning skills with advi pdf - Jul 02 2022

web rally navigation develop winning skills with advi 1 8 downloaded from uniport edu ng on june 1 2023 by guest rally navigation develop winning skills with advi when people should go to the book stores search foundation by shop shelf by shelf it is in fact problematic this is why we give the ebook compilations in this website

rally navigation develop winning skills with advi pdf - Mar 10 2023

web rally navigation develop winning skills with advi right here we have countless book rally navigation develop winning skills with advi and collections to check out we additionally have enough money variant types and furthermore type of the books to browse the normal book fiction history novel scientific

rally navigation training services rally navigation training - Aug 03 2022

web online training in the art and skills on rally navigation topics cover stage rallying historic road rallying and targa rallying learn from the comfort of your own home via interactive webinars

rally navigation develop winning skills with advi download - Feb 09 2023

web acquire guide by on line this online broadcast rally navigation develop winning skills with advi can be one of the options to accompany you later than having additional time it will not waste your time resign yourself to me the e book will unquestionably express you additional concern to read just invest tiny become old

rally navigation develop winning skills with advi pdf book - Apr 11 2023

web apr 5 2023 this online pronouncement rally navigation develop winning skills with advi pdf can be one of the options to accompany you considering having supplementary time it will not waste your time take on me the e