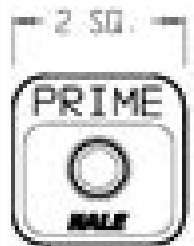
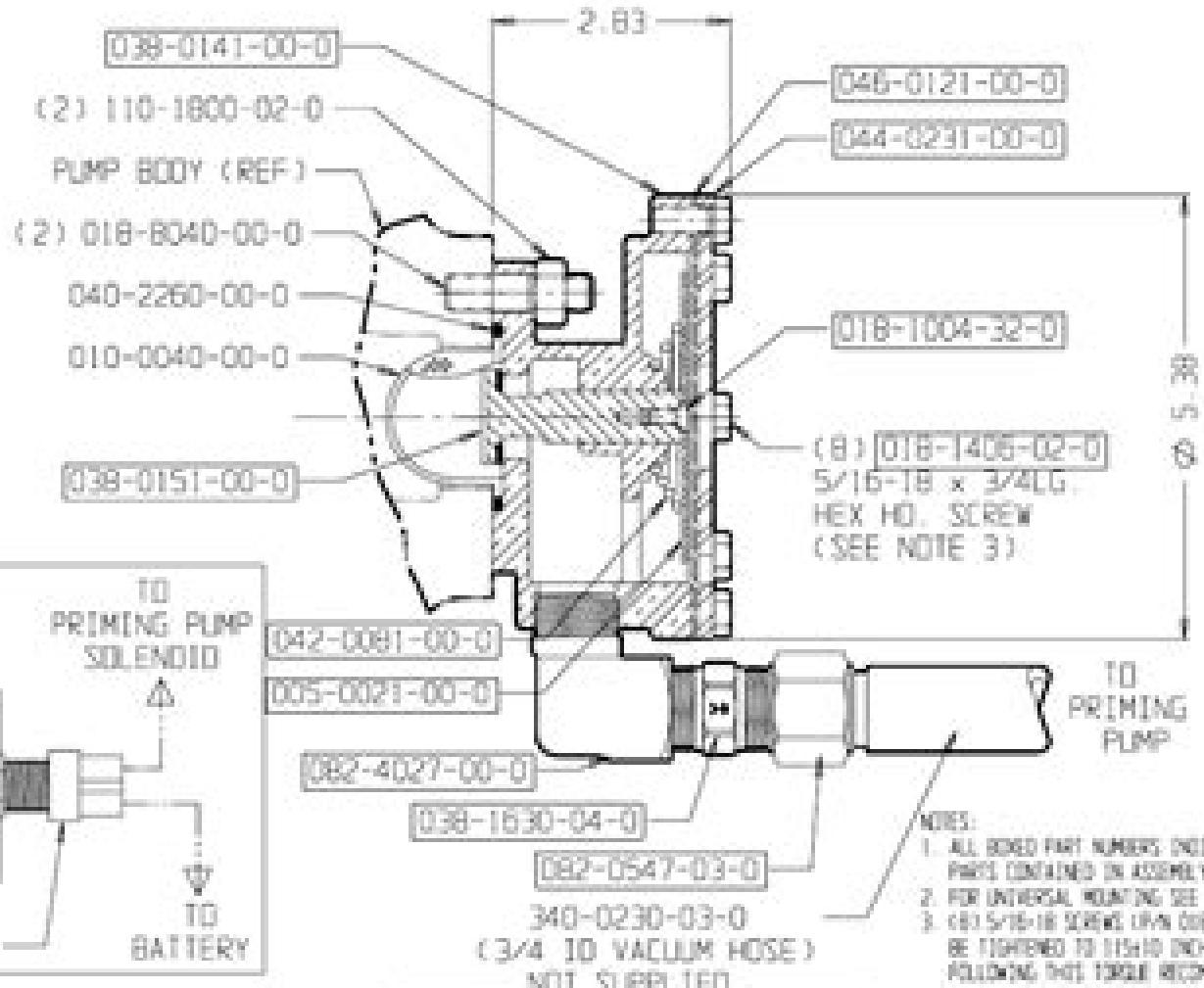


HALE TYPE SPV SEMI-AUTOMATIC PRIMING VALVE



101-0050-01-0

200-0120-04-0

PLATE NO. 819AF

REV	DESCRIPTION	DATE	BY	APP
00001	ISSUED FOR ASSEMBLY	08-13-00	ML	ML
00002	REVISED TO INCLUDE SCREW	04-07-00	ML	ML
00003	REVISED TO INCLUDE SCREW	04-07-00	ML	ML
00004	REVISED TO INCLUDE SCREW	04-07-00	ML	ML
00005	REVISED TO INCLUDE SCREW	04-07-00	ML	ML
00006	REVISED TO INCLUDE SCREW	04-07-00	ML	ML
00007	REVISED TO INCLUDE SCREW	04-07-00	ML	ML
00008	REVISED TO INCLUDE SCREW	04-07-00	ML	ML
00009	REVISED TO INCLUDE SCREW	04-07-00	ML	ML
00010	REVISED TO INCLUDE SCREW	04-07-00	ML	ML



HALE PRODUCTS, INC.
A Unit of IDEX Corporation
Conshohocken, PA 19428 USA

Spv C5user Guide Manual

Jessica J Manson



Spv C5user Guide Manual:

The Enigmatic Realm of **Spv C5user Guide Manual**: Unleashing the Language is Inner Magic

In a fast-paced digital era where connections and knowledge intertwine, the enigmatic realm of language reveals its inherent magic. Its capacity to stir emotions, ignite contemplation, and catalyze profound transformations is nothing in short supply of extraordinary. Within the captivating pages of **Spv C5user Guide Manual** a literary masterpiece penned with a renowned author, readers attempt a transformative journey, unlocking the secrets and untapped potential embedded within each word. In this evaluation, we shall explore the book's core themes, assess its distinct writing style, and delve into its lasting affect the hearts and minds of those that partake in its reading experience.

https://movement.livewellcolorado.org/book/book-search/default.aspx/wiley_accounting_principles_second_canadian_edition.pdf

Table of Contents Spv C5user Guide Manual

1. Understanding the eBook Spv C5user Guide Manual
 - The Rise of Digital Reading Spv C5user Guide Manual
 - Advantages of eBooks Over Traditional Books
2. Identifying Spv C5user Guide Manual
 - Exploring Different Genres
 - Considering Fiction vs. Non-Fiction
 - Determining Your Reading Goals
3. Choosing the Right eBook Platform
 - Popular eBook Platforms
 - Features to Look for in an Spv C5user Guide Manual
 - User-Friendly Interface
4. Exploring eBook Recommendations from Spv C5user Guide Manual
 - Personalized Recommendations
 - Spv C5user Guide Manual User Reviews and Ratings

- Spv C5user Guide Manual and Bestseller Lists
- 5. Accessing Spv C5user Guide Manual Free and Paid eBooks
 - Spv C5user Guide Manual Public Domain eBooks
 - Spv C5user Guide Manual eBook Subscription Services
 - Spv C5user Guide Manual Budget-Friendly Options
- 6. Navigating Spv C5user Guide Manual eBook Formats
 - ePub, PDF, MOBI, and More
 - Spv C5user Guide Manual Compatibility with Devices
 - Spv C5user Guide Manual Enhanced eBook Features
- 7. Enhancing Your Reading Experience
 - Adjustable Fonts and Text Sizes of Spv C5user Guide Manual
 - Highlighting and Note-Taking Spv C5user Guide Manual
 - Interactive Elements Spv C5user Guide Manual
- 8. Staying Engaged with Spv C5user Guide Manual
 - Joining Online Reading Communities
 - Participating in Virtual Book Clubs
 - Following Authors and Publishers Spv C5user Guide Manual
- 9. Balancing eBooks and Physical Books Spv C5user Guide Manual
 - Benefits of a Digital Library
 - Creating a Diverse Reading Collection Spv C5user Guide Manual
- 10. Overcoming Reading Challenges
 - Dealing with Digital Eye Strain
 - Minimizing Distractions
 - Managing Screen Time
- 11. Cultivating a Reading Routine Spv C5user Guide Manual
 - Setting Reading Goals Spv C5user Guide Manual
 - Carving Out Dedicated Reading Time
- 12. Sourcing Reliable Information of Spv C5user Guide Manual
 - Fact-Checking eBook Content of Spv C5user Guide Manual
 - Distinguishing Credible Sources

13. Promoting Lifelong Learning
 - Utilizing eBooks for Skill Development
 - Exploring Educational eBooks
14. Embracing eBook Trends
 - Integration of Multimedia Elements
 - Interactive and Gamified eBooks

Spv C5user Guide Manual Introduction

Spv C5user Guide Manual Offers over 60,000 free eBooks, including many classics that are in the public domain. Open Library: Provides access to over 1 million free eBooks, including classic literature and contemporary works. Spv C5user Guide Manual Offers a vast collection of books, some of which are available for free as PDF downloads, particularly older books in the public domain. Spv C5user Guide Manual : This website hosts a vast collection of scientific articles, books, and textbooks. While it operates in a legal gray area due to copyright issues, its a popular resource for finding various publications. Internet Archive for Spv C5user Guide Manual : Has an extensive collection of digital content, including books, articles, videos, and more. It has a massive library of free downloadable books. Free-eBooks Spv C5user Guide Manual Offers a diverse range of free eBooks across various genres. Spv C5user Guide Manual Focuses mainly on educational books, textbooks, and business books. It offers free PDF downloads for educational purposes. Spv C5user Guide Manual Provides a large selection of free eBooks in different genres, which are available for download in various formats, including PDF. Finding specific Spv C5user Guide Manual, especially related to Spv C5user Guide Manual, might be challenging as theyre often artistic creations rather than practical blueprints. However, you can explore the following steps to search for or create your own Online Searches: Look for websites, forums, or blogs dedicated to Spv C5user Guide Manual, Sometimes enthusiasts share their designs or concepts in PDF format. Books and Magazines Some Spv C5user Guide Manual books or magazines might include. Look for these in online stores or libraries. Remember that while Spv C5user Guide Manual, sharing copyrighted material without permission is not legal. Always ensure youre either creating your own or obtaining them from legitimate sources that allow sharing and downloading. Library Check if your local library offers eBook lending services. Many libraries have digital catalogs where you can borrow Spv C5user Guide Manual eBooks for free, including popular titles. Online Retailers: Websites like Amazon, Google Books, or Apple Books often sell eBooks. Sometimes, authors or publishers offer promotions or free periods for certain books. Authors Website Occasionally, authors provide excerpts or short stories for free on their websites. While this might not be the Spv C5user Guide Manual full book , it can give you a taste of the authors writing style. Subscription Services Platforms like Kindle Unlimited or Scribd offer subscription-based access to a

wide range of Spv C5user Guide Manual eBooks, including some popular titles.

FAQs About Spv C5user Guide Manual Books

How do I know which eBook platform is the best for me? Finding the best eBook platform depends on your reading preferences and device compatibility. Research different platforms, read user reviews, and explore their features before making a choice. Are free eBooks of good quality? Yes, many reputable platforms offer high-quality free eBooks, including classics and public domain works. However, make sure to verify the source to ensure the eBook credibility. Can I read eBooks without an eReader? Absolutely! Most eBook platforms offer webbased readers or mobile apps that allow you to read eBooks on your computer, tablet, or smartphone. How do I avoid digital eye strain while reading eBooks? To prevent digital eye strain, take regular breaks, adjust the font size and background color, and ensure proper lighting while reading eBooks. What the advantage of interactive eBooks? Interactive eBooks incorporate multimedia elements, quizzes, and activities, enhancing the reader engagement and providing a more immersive learning experience. Spv C5user Guide Manual is one of the best book in our library for free trial. We provide copy of Spv C5user Guide Manual in digital format, so the resources that you find are reliable. There are also many Ebooks of related with Spv C5user Guide Manual. Where to download Spv C5user Guide Manual online for free? Are you looking for Spv C5user Guide Manual PDF? This is definitely going to save you time and cash in something you should think about. If you trying to find then search around for online. Without a doubt there are numerous these available and many of them have the freedom. However without doubt you receive whatever you purchase. An alternate way to get ideas is always to check another Spv C5user Guide Manual. This method for see exactly what may be included and adopt these ideas to your book. This site will almost certainly help you save time and effort, money and stress. If you are looking for free books then you really should consider finding to assist you try this. Several of Spv C5user Guide Manual are for sale to free while some are payable. If you arent sure if the books you would like to download works with for usage along with your computer, it is possible to download free trials. The free guides make it easy for someone to free access online library for download books to your device. You can get free download on free trial for lots of books categories. Our library is the biggest of these that have literally hundreds of thousands of different products categories represented. You will also see that there are specific sites catered to different product types or categories, brands or niches related with Spv C5user Guide Manual. So depending on what exactly you are searching, you will be able to choose e books to suit your own need. Need to access completely for Campbell Biology Seventh Edition book? Access Ebook without any digging. And by having access to our ebook online or by storing it on your computer, you have convenient answers with Spv C5user Guide Manual To get started finding Spv C5user Guide Manual, you are right to find our website which has a

comprehensive collection of books online. Our library is the biggest of these that have literally hundreds of thousands of different products represented. You will also see that there are specific sites catered to different categories or niches related with Spv C5user Guide Manual So depending on what exactly you are searching, you will be able to choose ebook to suit your own need. Thank you for reading Spv C5user Guide Manual. Maybe you have knowledge that, people have search numerous times for their favorite readings like this Spv C5user Guide Manual, but end up in harmful downloads. Rather than reading a good book with a cup of coffee in the afternoon, instead they juggled with some harmful bugs inside their laptop. Spv C5user Guide Manual is available in our book collection an online access to it is set as public so you can download it instantly. Our digital library spans in multiple locations, allowing you to get the most less latency time to download any of our books like this one. Merely said, Spv C5user Guide Manual is universally compatible with any devices to read.

Find Spv C5user Guide Manual :

~~wiley accounting principles second canadian edition~~

wiley plus lab biology answers

wiley organic chemistry solutions manual

~~william stallings operating systems fourth edition~~

wild fire leopard people 4 christine feehan

wileyplus quiz answers nutrition 202

wildfire scooter manual

whole wheat coffee cake recipe

whos riding red erotica erotic fairy tales book english edition

wiley plus answers accounting chap 17

~~who buys used college books~~

william doney statistics

wildest hearts english edition

wiley plus solutions ch 4

wild nights predatory hunters siren publishing everlasting classic manlove

Spv C5user Guide Manual :

polygraph modern plays on onbuy - Aug 21 2023

web cashback on every item 30 day returns excellent 4 4 out of 5 onbuy protection 30 day returns excellent 4 4 out of 5 onbuy protection

[polygraph definition usage examples dictionary com](#) - Apr 05 2022

web polygraph definition see examples of polygraph used in a sentence

[polygraph modern plays by robert lepage 1997 04 28](#) - Jan 14 2023

web select the department you want to search in

polygraph modern plays - Mar 04 2022

web 2 polygraph modern plays 2022 10 21 through this rapidly expanding area of scholarship and practice by bringing together a number of recent reviews on key topics by leading experts in the field contributions to the volume discuss developments in

polygraph robert lepage marie brassand google books - Jun 07 2022

web apr 28 1997 polygraph methuen modern plays modern plays authors robert lepage marie brassand translated by gyllian raby publisher bloomsbury academic 1997 original from the university of wisconsin madison digitized apr 16 2010 isbn 0413707202 9780413707208 length 44 pages subjects

[polygraph](#) - May 06 2022

web polygraph is a studio composed of the same team behind the pudding we re your favorite in house data journalism team with an eye for translating complex information into visual content we partner with like minded organizations providing everything including ideation research design narrative code publishing the whole nine yards

[polygraph modern plays brassand marie lepage robert](#) - May 18 2023

web based on an uncanny series of interwoven true stories polygraph is a play noir part metaphysical thriller part murder mystery and part love story played out in a riveting

[polygraph methuen modern plays amazon co uk](#) - Oct 11 2022

web apr 28 1997 buy polygraph methuen modern plays media tie in by lepage robert brassard marie raby gyllian isbn 9780413707208 from amazon s book store everyday low prices and free delivery on eligible orders

polygraph modern plays paperback april 28 1997 - Apr 17 2023

web apr 28 1997 amazon com polygraph modern plays 9780413707208 brassand marie lepage robert books

[polygraph modern plays marie brassand methuen drama](#) - Jun 19 2023

web a stream of visually arresting and magical stage pictures that make most conventional theatrical imagery look half dead independent summer quebec

polygraph english meaning cambridge dictionary - Aug 09 2022

web polygraph definition 1 a piece of electronic equipment used to try to discover if someone is telling lies 2 a piece of learn more

[modern plays ser polygraph by robert lepage and marie brassand](#) - Mar 16 2023

web find many great new used options and get the best deals for modern plays ser polygraph by robert lepage and marie brassand 1997 trade paperback media tie in at the best online prices at ebay free shipping for many products

polygraph modern plays by robert lepage 2007 01 01 - Dec 13 2022

web buy polygraph modern plays by robert lepage 2007 01 01 by isbn from amazon s book store everyday low prices and free delivery on eligible orders

polygraph modern plays by robert lepage marie brassard - Sep 10 2022

web may 23rd 2020 an unfair and cruel weapon consequences of modern day polygraph modern pre employment polygraph screening in america a threshold question as it often plays both judge and jury a polygraph s reading is

polygraph modern plays by robert lepage goodreads - Sep 22 2023

web apr 28 1997 polygraph robert lepage marie brassard 3 91 47 ratings4 reviews a stream of visually arresting and magical stage pictures that make most conventional theatrical imagery look half dead independent summer quebec city

[polygraph modern plays marie brassard methuen drama](#) - Oct 23 2023

web meanwhile a coroner conducts the gruelling autopsy based on an uncanny series of interwoven true stories polygraph is a play noir part metaphysical thriller part murder mystery and part love story played out in a riveting

[used polygraph modern plays on onbuy](#) - Jul 20 2023

web cashback on every item 30 day returns excellent 4 4 out of 5 onbuy protection shop

polygraph modern plays paperback 1 january 1997 amazon in - Nov 12 2022

web amazon in buy polygraph modern plays book online at best prices in india on amazon in read polygraph modern plays book reviews author details and more at amazon in free delivery on qualified orders

polygraph definition meaning merriam webster - Jul 08 2022

web polygraph noun an instrument for recording variations of several different pulsations as of physiological variables simultaneously compare lie detector

[9780413707208 polygraph methuen modern plays abebooks](#) - Feb 15 2023

web based on an uncanny series of interwoven true stories polygraph is a play noir part metaphysical thriller part murder mystery and part love story played out in a riveting series of overlapping and shifting perspectives

[oxford bookworms factfiles 1 animals in danger](#) - Oct 04 2022

web but people are a great danger to animals too they take their land and cut down the trees where animals have their

homes they pollute the rivers and seas and kill big animals

oxford bookworms 1 animals in danger new edition - Feb 08 2023

web buy oxford bookworms library factfiles level 1 animals in danger audio pack by hopkins andy potter joc isbn 9780194620567 from amazon s book store

oxford bookworms library factfiles stage 1 animals in danger - Aug 02 2022

web buy oxford bookworms library factfiles level 1 animals in danger audio pack by andy hopkins joc potter online at alibris we have new and used copies available in 1

oxford bookworms library factfiles level 1 animals in danger - Mar 09 2023

web little children love to play with toy animals but people are a great danger to animals too they take their land and cut down the trees where animals have their homes they

oxford bookworms library 1 animals in danger intertaal - Apr 29 2022

web oxford bookworms library factfiles level 1 animals in danger level 1 400 word vocabulary oxford bookworms elt hopkins andy potter joc 9780194233798

oxford bookworms 1 animals in danger open library - May 11 2023

web jan 17 2008 oxford bookworms 1 animals in danger by andy hopkins joc potter jan 17 2008 oxford university press españa s a edition paperback

oxford bookworms library factfiles level 1 animals in danger - Nov 05 2022

web oxford bookworms library factfiles level 1 animals in danger level 1 400 word vocabulary oxford bookworms elt by hopkins andy potter joc at abebooks co uk

oxford bookworms library factfiles level 1 - Mar 29 2022

web little children love to play with toy animals but people are a great danger to animals too they take their land and cut down the trees where animals have their homes they

book 1 animals in danger oxford graded readers - Dec 26 2021

web oxford bookworms library stage 1 animals in danger audio andy hopkins and joc potter format downloadable audio file reading in english is one of the most effective

oxford bookworms factfiles animals in danger oxford - Jan 07 2023

web dec 6 2007 buy oxford bookworms library factfiles level 1 animals in danger by hopkins andy potter joc online on amazon ae at best prices fast and free shipping

oxford bookworms factfiles animals in danger united states - Nov 24 2021

web but one day they meet an orca a killer whale one of the most dangerous animals in the sea and life gets a little too

exciting cefr a1 word count 1 600 part of oxford

oxford bookworms library factfiles level 1 animals in danger - May 31 2022

web oxford bookworms library factfiles level 1 animals in danger author andy hopkins joc potter number of pages 64 pages
published date 25 apr

animals in danger oup - Jun 12 2023

web oxford bookworms library factfiles collection level stage 1 exams cambridge english movers cambridge english flyers
cambridge english key ket ielts 1 0 3 0

oxford bookworms library stage 1 animals in danger audio - Oct 24 2021

animals in danger audio cd pack oxford university press li - Jan 27 2022

web little children love to play with toy animals but people are a great danger to animals too they take their land and cut
down the trees where animals have their homes they

animals in danger oxford bookworms by andy hopkins - Jul 01 2022

web people love and need animals they keep them in their homes and on their farms they enjoy going to zoos and watching
animals on films and on tv little children love to

oxford bookworms library stage 1 animals in danger - Jul 13 2023

web dec 6 2007 oxford bookworms library stage 1 animals in danger andy hopkins joc potter google books people love and
need animals they keep them in their

oxford bookworms library factfiles level 1 animals in danger - Feb 25 2022

web animals in danger series biff chip kipper decode and develop stories classic tales dolphin readers dominoes oxford
bookworms collection oxford bookworms

oxford bookworms library factfiles level 1 animals in danger - Aug 14 2023

web written for secondary and adult students the oxford bookworms library has seven reading levels from a1 c1 of the cefr
listen along with downloadable mp3 audio people love and need animals they keep them in their homes and on their farms

oxford bookworms library factfiles level 1 animals in danger - Sep 03 2022

web but people are a great danger to animals too they take their land and cut down the trees where animals have their
homes they pollute the rivers and seas and kill big animals

oxford bookworms library factfiles level 1 animals in danger - Dec 06 2022

web apr 20 2023 oxford bookworms factfiles 1 animals in danger mp3 pack by edmund dudley 2016 oxford university press
oxford university press españa

oxford bookworms library starter level oxford university press - Sep 22 2021

oxford bookworms library factfiles level 1 animals - Apr 10 2023

web oxford bookworms library factfiles level 1 animals in danger 400 headwords oxford bookworms elt hopkins andy potter
joc amazon com tr kitap

berta Incili vikipedi - Sep 23 2021

amazon es berta isla - Feb 26 2022

web berta isla spanish edition hispanica berta isla spanish edition hispanica 2 downloaded from 50storiesfortomorrow ilfu
com on 2019 05 08 by guest en méxico de una

javier marías edición pack con berta isla amazon es - Dec 07 2022

web berta isla es la envolvente y apasionante historia de una espera y de una evolución la de su protagonista también de la
fragilidad y la tenacidad de una relación amorosa

berta isla spanish edition hispanica - Nov 25 2021

berta isla spanish edition kindle edition amazon com - Apr 11 2023

web berta isla spanish edition hispánica band 717031 marias javier isbn 9788420427362 kostenloser versand für alle bücher
mit versand und verkauf duch

berta isla narrativa hispánica amazon co uk marias - Jul 14 2023

web sep 5 2017 ella es berta isla española y él es tomás nevinson español inglés una circunstancia accidental hace que él
entré a los servicios secretos ingleses una vez que

berta isla marías javier javier marías - Jan 28 2022

web berta isla hispanica getting the books berta isla hispanica now is not type of challenging means you could not lonesome
going next books accretion or library or borrowing from

editions of berta isla by javier marías goodreads - Mar 10 2023

web berta isla es la envolvente y apasionante historia de una espera y de una evolución la de su protagonista también de la
fragilidad y la tenacidad de una relación amorosa

marías berta isla the modern novel - Jul 02 2022

web berta isla hispánica von marías javier beim zvb com isbn 10 8420427365 isbn 13 9788420427362 alfaguara 2017
softcover

berta isla libro del año babelia el país - May 12 2023

web berta isla is the engrossing thrilling story of a wait and an evolution that of its protagonist and also of the fragility and tenacity of a loving relationship

berta isla spanish edition hispánica reading length - Feb 09 2023

web sep 5 2017 el novelista javier marías por la novela berta isla y el poeta catalán luis bagué quílez por clima mediterráneo han sido galardonados este sábado con los

berta isla javier marías babelio - Nov 06 2022

web berta isla ile tomás nevinson çok genç yaşta tanışır madrid de kısa süre sonra da hayatlarını birlikte geçirmeye karar verirler ne ki ilişkilerinin önce kesintili geçeceği

berta isla hispánica marías javier 9788420427362 iberlibro - Oct 05 2022

web javier marías berta isla berta isla with the opening sentence of for a certain period she was not sure that her husband was her husband marías sets the tone she is the

9788420427362 berta isla hispánica zvb marías javier - Mar 30 2022

web berta isla hispanica 1 berta isla hispanica bad nature or with elvis in mexico the membranes ramifications el quijote de wellesley tomás nevinson spanish edition

berta isla javier marías yky yapı kredi yayınları - Aug 03 2022

web berta isla hispánica von marías javier bei abebooks de isbn 10 8420427365 isbn 13 9788420427362 alfaguara 2017 softcover

9788420427362 berta isla hispánica abebooks - Apr 30 2022

web berta isla marías javier javier marías 9788420427362 librería sinopsis berta isla marías javier javier marías editorial alfaguara año de

berta isla hispanica lakeforestmba - Dec 27 2021

web berta İncili 12 yüzyılda iki sütun halinde gürcü alfabesinin nushuri harfleriyle deri üzerine yazılmıştır İncil 24 5 x 17 5 ebatlarındaki 342 yapraktan oluşur İncil in cilt kapakları

berta isla hispanica help environment harvard edu - Oct 25 2021

berta isla libro de javier marías reseña resumen y opiniones - Sep 04 2022

web berta isla es la envolvente y apasionante historia de una espera y de una evolución la de su protagonista también de la fragilidad y la tenacidad de una relación amorosa condenada al secreto y a la ocultación al fingimiento y a la conjetura y en última instancia al resentimiento mezclado con la lealtad

berta isla el boomeran g - Jun 13 2023

web sep 5 2017 berta isla roman german edition published september 1st 2022 by fischer taschenbuch verlag 2 auflage mass market paperback 671 pages author s

berta isla hispánica marías javier amazon es libros - Aug 15 2023

web aug 31 2017 berta isla es la envolvente y apasionante historia de una espera y de una evolución la de su protagonista también de la fragilidad y la tenacidad de una relación

berta isla spanish edition hispánica band 717031 - Jan 08 2023

web berta isla es la envolvente y apasionante historia de una espera durante un tiempo no estuvo segura de si su marido era su marido a veces creía que sí a veces creía que

berta isla penguin libros - Jun 01 2022

web berta isla hispánica de javier marías 1 236 tapa blanda 20 80 pvpr 21 90 entrega gratis el mi 2 de nov más opciones de compra 8 39 17 ofertas usadas y nuevas