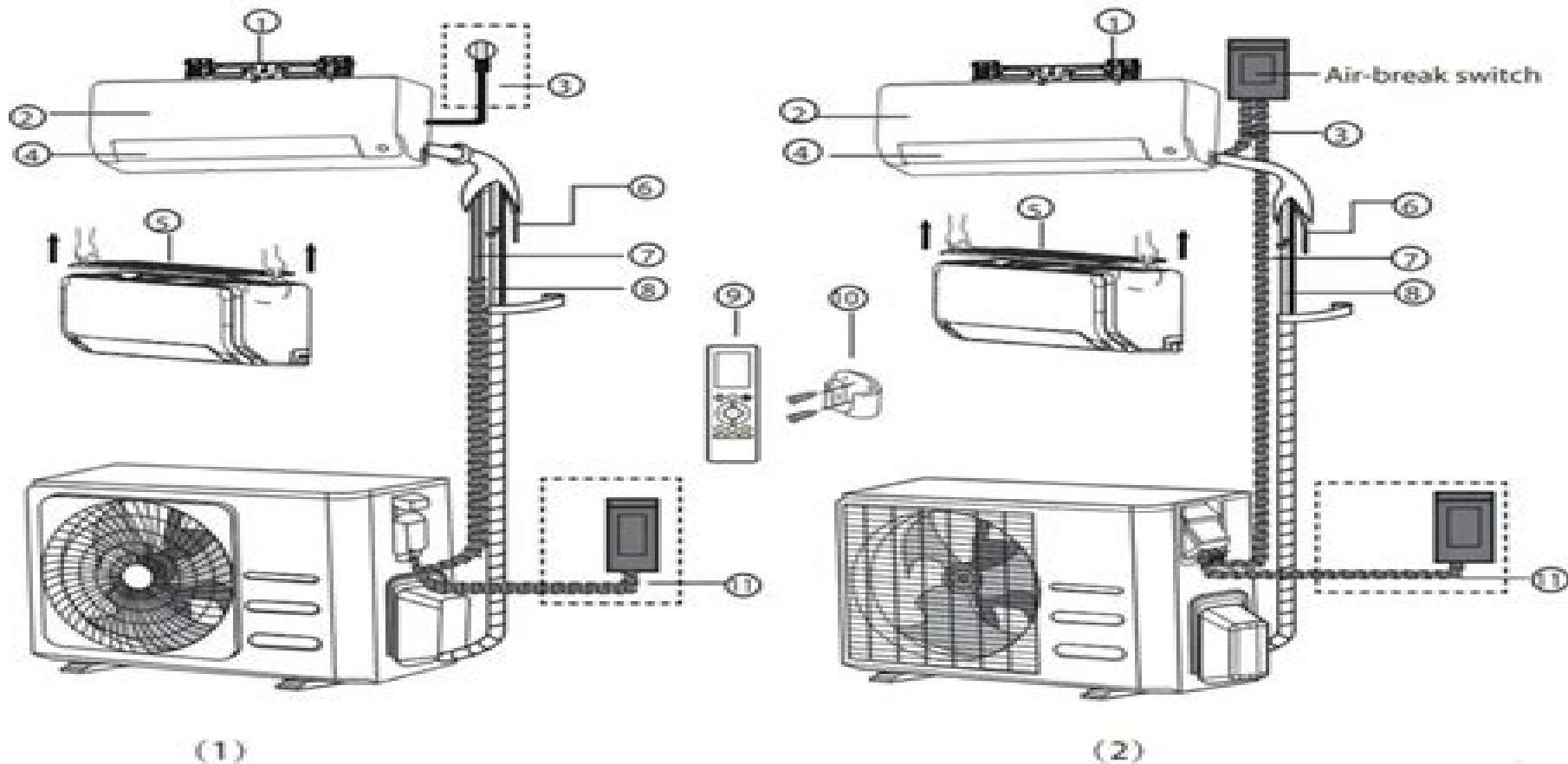


Unit Parts

NOTE: The installation must be performed in accordance with the requirement of local and national standards. The installation may be slightly different in different areas.



- ① Wall Mounting Plate
- ② Front Panel
- ③ Power Cable (Some Units)
- ④ Louver

- ⑤ Air filter(pull it out)
- ⑥ Drainage Pipe
- ⑦ Signal Cable
- ⑧ Refrigerant Piping

- ⑨ Remote Controller
- ⑩ Remote Controller Holder (Some Units)
- ⑪ Outdoor Unit Power Cable (Some Units)

Split Ac Manual On

Rachel Sandford



Split Ac Manual On:

Operator's, Organizational, Direct Support, and General Support Maintenance Manual ,1989 Federal Register ,2012-03 , Technical Manual United States. War Department,1947 Monthly Catalog of United States Government Publications United States. Superintendent of Documents,1995 February issue includes Appendix entitled Directory of United States Government periodicals and subscription publications September issue includes List of depository libraries June and December issues include semiannual index **AF Manual** United States. Department of the Air Force,1979 **Technical Manual** United States Department of the Army,1950 **SURVEY OF MACHINERY INSTALLATIONS (plus compendium), 2004 Edition** International Maritime Organization,2004 *Code of Federal Regulations* ,2010 Special edition of the Federal Register containing a codification of documents of general applicability and future effect with ancillaries Manuals Combined: 50 + Army T-62 T-53 T-55 T-700 AVIATION GAS TURBINE ENGINE Manuals , Over 70 350 Mbs U S Army Repair Maintenance and Part Technical Manuals TMs related to U S Army helicopter and fixed wing turbine aircraft engines as well as turbine power plants generators Just a SAMPLE of the CONTENTS ENGINE AIRCRAFT TURBOSHAFT MODELS T700 GE 700 T700 GE 701 T700 GE 701C 1 485 pages TURBOPROP AIRCRAFT ENGINE 526 pages ENGINE GAS TURBINE MODEL T55 L 712 997 pages ENGINE ASSEMBLY GAS TURBINE GTCP36 150 BH GTCP36 150 BH 324 pages ENGINE AIRCRAFT GAS TURBINE T63 A 5A T63 A 700 144 pages ENGINE AIRCRAFT GAS TURBINE MODEL T63 A 720 208 pages ENGINE AIRCRAFT TURBOSHAFT T703 AD 700 T703 AD 700A T703 AD 700B 580 pages ENGINE ASSEMBLY T700 GE 701 247 pages ENGINE ASSEMBLY GAS TURBINE GTCP3645 H 214 pages ENGINE AIRCRAFT GAS TURBINE MODEL T63 A 720 208 pages GAS TURBINE ENGINE AUXILIARY POWER UNIT APU MODEL T 62 T 40 1 344 pages ENGINE ASSEMBLY T700 GE 700 243 pages SANDY ENVIRONMENT AND OR COMBAT OPERATIONS FOR T53 L 13B T53 L 13BA AND T53 L 703 ENGINES 112 pages DUAL PURPOSE MOBILE CHECK AND ADJUSTMENT GENERATOR STAND FOR T62T 2A AND T62T 2A1 AUXILIARY POWER UNITS T62T 40 1 AND T62T 2B AUXILIARY POWER UNITS 193 pages Others included POWER PLANT UTILITY GAS TURBINE ENGINE DRI LIBBY WELDING CO MODEL LPU 71 FSN 6115 937 0929 NON WINT AND 6115 134 0825 WINTERIZED POWER PLANT UTILITY MUST GAS TURBINE ENGINE DRIVEN AIRESEARCH CO MODEL NO PPU85 5 LIBBY WELDING CO MODEL NO LPU 71 AME CORP MODEL APP 1 AND HOLLINGSWORTH CO MODEL NO JHTWX10 9 NSN 6115 00 937 0929 NON WINTERIZED AND 6115 00 134 0825 WINTERIZED POWER PLANT UTILITY MUST GAS TURBINE ENGINE DRIVEN AIRESEA MODEL PPU85 5 LIBBY WELDING CO MODEL LPU 71 AMERTECH CO MODEL APP 1 AND HOLLINGSWORTH CO MODEL JHTWX10 96 NSN 6115 00 937 0929 NON WINTERIZED AND 6115 00 134 0825 WINTERIZED GENERATOR SET GAS TURBINE ENGINE DRIVEN TACTICAL SKID MTD 1 400 HZ ALTERNATING CURRENT GENERATOR SET GAS TURBINE ENGINE 45 KW AC 120 208 AND 240 4 3 PHASE 4 WIRE SKID MTD WINTERIZED AIRESEARCH MODEL GTGE 70 FSN 6115 075 1639 POWER PLAN

UTILITY MUST GAS TURBINE ENGINE DRIVEN AIRESEARCH CO MOD PPU85 5 LIBBY WELDING CO MODEL LPU 71 AMERTECH CORP MODEL APP 1 AND HOLLINGSWORTH CO MODEL JHTWX 10 96 NSN 6115 00 937 0929 NONWINTERIZED AND 6115 00 134 0825 WINTERIZED POWER PLANT UTILITY GAS TURBINE ENGINE DRIVEN AMERTECH CORP MODEL APP 1 POWER PLANT UTILITY GAS TURBINE ENGINE DRIVEN LIBBY WELDING CO MODEL LPU 71 POWER UNIT UTILITY PACK GAS TURBINE ENGINE DRIVEN AIRESEARCH MODEL PPU85 5 TYPE A AVIATION UNIT AND INTERMEDIATE MAINTENANCE FOR GAS TURBINE ENGI AUXILIARY POWER UNIT APU MODEL T 62T 2B PART NO 161050 10 NSN 2835 01 092 2037 AVIATION UNIT AND INTERMEDIATE MAINTENANCE REPAIR PARTS AND SPE TOOLS LIST INCLUDING DEPOT MAINTENANCE REPAIR PARTS AND SPECIA FOR GAS TURBINE ENGINE AUXILIARY POWER UNIT APU MODEL T 62 PART NO 160150 100 NSN 2835 01 092 2037 SERI-RR ,1979

Aerodynamic Design of Transport Aircraft Tobie van den Berg,2009-04-15 The origin of Aerodynamic Design of Transport Aircraft stems from the time when the author was appointed part time professor in the Aerospace Faculty of Delft University of Technology At the time his main activities were those of leading the departments of Aerodynamics Performance and Preliminary Design at Fokker Aircraft Company The groundwork for this book started in 1987 as a series of lecture notes consisting mainly of pictorial material with a minimum of English explanatory text After the demise of Fokker in 1996 one feared that interest in aeronautical engineering would strongly diminish As a result of this the course was discontinued and the relationship between the author and the faculty came to an end Two years later the situation was reappraised and the interest in aeronautical engineering remained so the course was reinstated with a former Fokker colleague Ronald Slingerland as lecturer The lecture notes from these courses form the foundation of this publication A Manual for Managers, Designers, Weavers, and All Others Connected with the Manufacture of Textile Fabrics Alfred Spitzli,1881

Gas Turbine System Technician (electrical) 1 & C, Volume 2 Robert W. Gonser,1987 **Truck service manual** ,1984 **Code of Federal Regulations, Title 10, Energy, PT. 200-499, Revised as of January 1, 2010** Office of the Federal Register (U S),2010-04 The Code of Federal Regulations is a codification of the general and permanent rules published in the Federal Register by the Executive departments and agencies of the United States Federal Government

IBM Reference Manual International Business Machines Corporation,1959 **Popular Photography** ,1992-11

U-2 Dragon Lady Pilot's Flight Operating Instructions United States Air Force,2008-01-01 Conceived during the dark days of the Cold War the U 2 is a single engine single seat surveillance aircraft Designed by aeronautical engineer Kelly Johnson the plane was used by the C I A to photograph installations deep inside Soviet Russia Known as the Dragon Lady the U 2 was classified Its existence remained a secret until 1960 when a U 2 flown by Francis Gary Powers was shot down over Soviet territory The U 2 went on to have a long and illustrious career Upgraded airframes remained in use five decades after it first debuted Originally printed by Lockheed and the U S Air Force in the 1960s this Flight Operating Handbook taught

pilots everything they needed to know before entering the cockpit Classified Restricted the manual was recently declassified and is here reprinted in book form This affordable facsimile has been slightly reformatted Care has been taken however to preserve the integrity of the text **CBSE Class 12 - Air-Conditioning and Refrigeration - 10 Sample Papers**
Mocktime Publication, CBSE Sample Papers Class 12 Air Conditioning and Refrigeration

Immerse yourself in the artistry of words with Experience Art with its expressive creation, Discover the Artistry of **Split Ac Manual On** . This ebook, presented in a PDF format (Download in PDF: *), is a masterpiece that goes beyond conventional storytelling. Indulge your senses in prose, poetry, and knowledge. Download now to let the beauty of literature and artistry envelop your mind in a unique and expressive way.

<https://movement.livewellcolorado.org/book/uploaded-files/HomePages/Yamaha%20Dt175d%20Service%20Repair%20Manual%20Dt175.pdf>

Table of Contents Split Ac Manual On

1. Understanding the eBook Split Ac Manual On
 - The Rise of Digital Reading Split Ac Manual On
 - Advantages of eBooks Over Traditional Books
2. Identifying Split Ac Manual On
 - Exploring Different Genres
 - Considering Fiction vs. Non-Fiction
 - Determining Your Reading Goals
3. Choosing the Right eBook Platform
 - Popular eBook Platforms
 - Features to Look for in an Split Ac Manual On
 - User-Friendly Interface
4. Exploring eBook Recommendations from Split Ac Manual On
 - Personalized Recommendations
 - Split Ac Manual On User Reviews and Ratings
 - Split Ac Manual On and Bestseller Lists
5. Accessing Split Ac Manual On Free and Paid eBooks
 - Split Ac Manual On Public Domain eBooks
 - Split Ac Manual On eBook Subscription Services

- Split Ac Manual On Budget-Friendly Options
- 6. Navigating Split Ac Manual On eBook Formats
 - ePub, PDF, MOBI, and More
 - Split Ac Manual On Compatibility with Devices
 - Split Ac Manual On Enhanced eBook Features
- 7. Enhancing Your Reading Experience
 - Adjustable Fonts and Text Sizes of Split Ac Manual On
 - Highlighting and Note-Taking Split Ac Manual On
 - Interactive Elements Split Ac Manual On
- 8. Staying Engaged with Split Ac Manual On
 - Joining Online Reading Communities
 - Participating in Virtual Book Clubs
 - Following Authors and Publishers Split Ac Manual On
- 9. Balancing eBooks and Physical Books Split Ac Manual On
 - Benefits of a Digital Library
 - Creating a Diverse Reading Collection Split Ac Manual On
- 10. Overcoming Reading Challenges
 - Dealing with Digital Eye Strain
 - Minimizing Distractions
 - Managing Screen Time
- 11. Cultivating a Reading Routine Split Ac Manual On
 - Setting Reading Goals Split Ac Manual On
 - Carving Out Dedicated Reading Time
- 12. Sourcing Reliable Information of Split Ac Manual On
 - Fact-Checking eBook Content of Split Ac Manual On
 - Distinguishing Credible Sources
- 13. Promoting Lifelong Learning
 - Utilizing eBooks for Skill Development
 - Exploring Educational eBooks
- 14. Embracing eBook Trends

- Integration of Multimedia Elements
- Interactive and Gamified eBooks

Split Ac Manual On Introduction

In today's digital age, the availability of Split Ac Manual On books and manuals for download has revolutionized the way we access information. Gone are the days of physically flipping through pages and carrying heavy textbooks or manuals. With just a few clicks, we can now access a wealth of knowledge from the comfort of our own homes or on the go. This article will explore the advantages of Split Ac Manual On books and manuals for download, along with some popular platforms that offer these resources. One of the significant advantages of Split Ac Manual On books and manuals for download is the cost-saving aspect. Traditional books and manuals can be costly, especially if you need to purchase several of them for educational or professional purposes. By accessing Split Ac Manual On versions, you eliminate the need to spend money on physical copies. This not only saves you money but also reduces the environmental impact associated with book production and transportation. Furthermore, Split Ac Manual On books and manuals for download are incredibly convenient. With just a computer or smartphone and an internet connection, you can access a vast library of resources on any subject imaginable. Whether you're a student looking for textbooks, a professional seeking industry-specific manuals, or someone interested in self-improvement, these digital resources provide an efficient and accessible means of acquiring knowledge. Moreover, PDF books and manuals offer a range of benefits compared to other digital formats. PDF files are designed to retain their formatting regardless of the device used to open them. This ensures that the content appears exactly as intended by the author, with no loss of formatting or missing graphics. Additionally, PDF files can be easily annotated, bookmarked, and searched for specific terms, making them highly practical for studying or referencing. When it comes to accessing Split Ac Manual On books and manuals, several platforms offer an extensive collection of resources. One such platform is Project Gutenberg, a nonprofit organization that provides over 60,000 free eBooks. These books are primarily in the public domain, meaning they can be freely distributed and downloaded. Project Gutenberg offers a wide range of classic literature, making it an excellent resource for literature enthusiasts. Another popular platform for Split Ac Manual On books and manuals is Open Library. Open Library is an initiative of the Internet Archive, a non-profit organization dedicated to digitizing cultural artifacts and making them accessible to the public. Open Library hosts millions of books, including both public domain works and contemporary titles. It also allows users to borrow digital copies of certain books for a limited period, similar to a library lending system. Additionally, many universities and educational institutions have their own digital libraries that provide free access to PDF books and manuals. These libraries often offer academic texts, research papers, and technical manuals, making them invaluable resources for students and researchers. Some notable examples include MIT OpenCourseWare,

which offers free access to course materials from the Massachusetts Institute of Technology, and the Digital Public Library of America, which provides a vast collection of digitized books and historical documents. In conclusion, Split Ac Manual On books and manuals for download have transformed the way we access information. They provide a cost-effective and convenient means of acquiring knowledge, offering the ability to access a vast library of resources at our fingertips. With platforms like Project Gutenberg, Open Library, and various digital libraries offered by educational institutions, we have access to an ever-expanding collection of books and manuals. Whether for educational, professional, or personal purposes, these digital resources serve as valuable tools for continuous learning and self-improvement. So why not take advantage of the vast world of Split Ac Manual On books and manuals for download and embark on your journey of knowledge?

FAQs About Split Ac Manual On Books

How do I know which eBook platform is the best for me? Finding the best eBook platform depends on your reading preferences and device compatibility. Research different platforms, read user reviews, and explore their features before making a choice. Are free eBooks of good quality? Yes, many reputable platforms offer high-quality free eBooks, including classics and public domain works. However, make sure to verify the source to ensure the eBook credibility. Can I read eBooks without an eReader? Absolutely! Most eBook platforms offer web-based readers or mobile apps that allow you to read eBooks on your computer, tablet, or smartphone. How do I avoid digital eye strain while reading eBooks? To prevent digital eye strain, take regular breaks, adjust the font size and background color, and ensure proper lighting while reading eBooks. What the advantage of interactive eBooks? Interactive eBooks incorporate multimedia elements, quizzes, and activities, enhancing the reader engagement and providing a more immersive learning experience. Split Ac Manual On is one of the best book in our library for free trial. We provide copy of Split Ac Manual On in digital format, so the resources that you find are reliable. There are also many Ebooks of related with Split Ac Manual On. Where to download Split Ac Manual On online for free? Are you looking for Split Ac Manual On PDF? This is definitely going to save you time and cash in something you should think about.

Find Split Ac Manual On :

yamaha dt175d service repair manual dt175
yamaha ef4600a ef6600a generator models service manual
yamaha ls2000 service manual

yamaha fazer fz8 fz8na shop manual 2011 2013

[yamaha fzf400 1986 1994 workshop manual](#)

[yamaha fzf400sp service repair manual 1991 1992](#)

yamaha grizzly 600 4x4 manual 1998

[yamaha kodiak ultramatic manual](#)

yamaha fj1100 1984 1993 workshop service manual repair

yamaha classical guitar grade 5

yamaha fz6n service manual**yamaha golf cart repair manual g14a**

[yamaha clp 950 manual](#)

yamaha dx 11 dx11 complete service manual

[yamaha lw 16 music keyboards owners manual](#)

Split Ac Manual On :

[dichotomous key to the igneous rocks idaho](#) - Oct 02 2022

web identification key dichotomous identification keys to the lowest justifiable taxonomic level based on the most recent literature are provided for free living cycloplod an

[rock identification activity guides dichotomous keys](#) - Oct 14 2023

web dichotomous key to the igneous rocks this key is based on your ability to recognize the various textures of igneous rock texture is largely related to the rate of cooling experienced by the rock the more rapidly the magma cooled the smaller the *rock identification key oresome resources* - Jan 25 2022

web ch 2 minerals atoms elements and minerals what s in the mineral mineral classification 1 mineral classification 2 mineral dichotomy key mineral ores ch 3

keys to metamorphic mineral rock identification james - Jun 10 2023

web oct 25 2000 a variety of keys are provided here ranging from very simple ones that cover limited rocks to complex ones that cover all the rocks dealt with at this site the keys

the rock key university of nevada reno - Aug 12 2023

web the key can help guide you to the correct rock identification 1 is the rock made of crystal grains does it have a lot of flat shiny faces may be tiny or small that reflect light like

[how to identify rocks and minerals mini me geology](#) - Dec 04 2022

web rock identification dichotomous keys dichotomous key to the sedimentary rocks generally speaking sedimentary rocks are either made of other rocks not

rock dichotomous key students britannica kids homework help - Jan 05 2023

web of rocks and minerals explains what rocks or minerals are how they are classified and how to start a collection to help in the initial stages of rock identification a clear visual

a key for identification of rock forming minerals in thin - Jul 11 2023

web description structured in the form of a dichotomous key comparable to those widely used in botany the mineral key provides an efficient and systematic approach to identifying

the rock identification key by don peck mineralogical society - Mar 27 2022

web key learning objectives students can understand the different methods that can be used in rock identification students can use an identification key to identify different rock

rocks and minerals identification dichotomous key lab - Sep 01 2022

web mineral identification key section 1 the mineral identification key step 1 is the luster metallic or submetallic go to section i metallic or submetallic luster key

identification key an overview sciencedirect topics - Jul 31 2022

web dichotomous mineral identification you will use a dichotomous key for identification dichotomous keys are used for identification in a wide variety of subjects you will

mineral dichotomy key earth science - Nov 22 2021

rock classification dichotomous key wasp - Apr 08 2023

web rock classification dichotomous key this is a very general way of classifying rocks used at year 8 level rocks that are very fine grained are difficult to classify unless you

mineral identification key section 1 mineralogical society of - Jun 29 2022

web a rock is a combination of one such as quartzite or more such as granite mineral particles these combine through either crystallisation of molten magma igneous

14 lab s in rocks and minerals new york science teacher - May 29 2022

web they are everywhere on earth but often buried under soil rocks are made of minerals like quartz calcite feldspars and micas most rocks are made from more than one

a key for identification of rock forming minerals in thin section - Feb 06 2023

web a dichotomous key is a tool that uses a series of paired clues to identify unknown entities in the natural world some keys

are constructed as paired statements whereas others

mineral identification key mineralogical society of america - Sep 13 2023

web section 1 introduction a simple identification kit mineral properties luster hardness streak cleavage parting fusibility specific gravity habit tenacity color luminescence

mineral classification 2 earth science - Dec 24 2021

a key for identification of rock forming minerals in - Mar 07 2023

web nov 20 2017 a key for identification of rock forming minerals in thin section structured in the form of a dichotomous key comparable to those widely used in

learn how to classify rocks the australian museum - Apr 27 2022

web a simple rock classification activity to start students thinking about how rocks may be categorised the teacher notes also include a demonstration to allow discussion on how

course identifying common rock types wasp - Feb 23 2022

web dichotomous means to divide into scientists use dichotomous keys in many areas of science to help identify objects like rocks minerals plants and animals we will use

dichotomous key for rocks 2023 cyberlab sutd edu sg - Nov 03 2022

web this rock identification key is designed to identify the following types of rocks and minerals basalt breccia coal conglomerate copper galena gneiss granite halite

a key for identification of rock forming minerals in thin section - May 09 2023

web book description structured in the form of a dichotomous key comparable to those widely used in botany the mineral key provides an efficient and systematic approach to

gerda s story memoirs of a holocaust survivor - Sep 22 2023

web gerda s story memoir of a holocaust survivor author gerda nothmann luner publisher elmhurst college 2002 isbn 0971512027 9780971512023 length 121 pages export citation

eva kollisch lesbian rights advocate and memoirist dies at 98 - Feb 03 2022

gerda s story memoirs of a holocaust survivor eng book - May 06 2022

web gerda is a feminine given name notable people with the name include a gerda ahlm 1869 1956 swedish born american painter and art conservator gerda alexander 1908 1994 danish teacher and therapist gerda antti born 1929 swedish writer b gerda becker dutch table tennis player gerda bengtsson 1900 1995 danish textile

gerda s story memoirs of a holocaust survivor kindle edition - Dec 01 2021

[gerda s story memoir of a holocaust survivor google books](#) - Jul 20 2023

web isbn 13 978 0971512023 see all details product details publisher elmhurst college 1 jan 2002 language english isbn 10 0971512027 isbn 13 978 0971512023 customer reviews 95 ratings about the author

books similar to gerda s story memoirs of a holocaust survivor - Aug 09 2022

web jul 28 2022 the museum s collections document the fate of holocaust victims survivors rescuers liberators and others through artifacts conducted the interview with gerda seifer on january 24 1993 the united states holocaust memorial museum received the copy of the interview from the anti defamation league orange county

[oral history interview with gerda seifer united states holocaust](#) - Apr 05 2022

web gerda s story memoirs of a holocaust survivor ebook nothmann luner gerda amazon in books

[gerda s story memoirs of a holocaust survivor kindle edition](#) - May 18 2023

web dec 24 2021 a powerful moving memoir and a practical guide to healing an eminent psychologist whose own experiences as a holocaust survivor help her treat patients and allow them to escape the prisons of their own minds told through the eyes of a young girl the book shares gerda s memories of hitler

gerda s story memoirs of a holocaust survivor kindle edition - Nov 12 2022

web gerda s story memoir of a holocaust survivor nothmann gerda luner amazon in books

jewish s memoir the untold story of a holocaust survivor - Oct 31 2021

gerda s story memoir of a holocaust survivor - Feb 15 2023

web aug 22 2019 ninety two year old holocaust survivor gerda seifer of long beach shares her life story in new memoir long beach calif kabc a 92 year old holocaust survivor is sharing her story with

gerda s story memoir of a holocaust survivor paperback - Sep 10 2022

web gerda s story memoirs of a holocaust survivor eng the holocaust may 19 2020 n june 1944 freda wineman and her family arrived at auschwitz birkenau the infamous nazi concentration and death camp after a cursory look from an ss doctor freda s life was spared and her mother was sent to the gas chambers

[title gerda s story memoir of a holocaust survivor paperback](#) - Dec 13 2022

web gerda s story memoirs of a holocaust survivor by gerda nothmann luner 4 25 avg rating 254 ratings gerda s story is a deeply moving unforgettable memoir of a german jewish family caught up in the horror of the holocaust told through the eyes of a young girl the book shares gerda s memories of hi want to read rate it

gerda s story memoirs of a holocaust survivor english edition - Mar 16 2023

web gerda s story memoirs of a holocaust survivor ebook nothmann luner gerda amazon com au kindle store

gerda s story memoirs of a holocaust survivor eng pdf - Mar 04 2022

web dec 24 2021 a powerful moving memoir and a practical guide to healing an eminent psychologist whose own experiences as a holocaust survivor help her treat patients and allow them to escape the prisons of their own minds told through the eyes of a young girl the book shares gerda s memories of hitler

holocaust survivor from long beach shares her story in memoir - Oct 11 2022

web gerda s story memoirs of a holocaust survivor eng in my hands may 20 2023 recounts the experiences of the author who as a young polish girl hid and saved jews during the holocaust the afterdeath of the holocaust apr 07 2022 this book consists of ten essays that examine the ways in which language has

gerda s story memoir of a holocaust survivor - Jun 19 2023

web gerda s story memoirs of a holocaust survivor english edition ebook nothmann luner gerda amazon de kindle store

gerda s story memoirs of a holocaust survivor - Aug 21 2023

web gerda s story memoirs of a holocaust survivor ebook nothmann luner gerda amazon co uk books

gerda s story memoirs of a holocaust survivor eng - Jun 07 2022

web by sam roberts oct 20 2023 eva kollisch who escaped nazi occupied austria when she was a teenager to become an american professor and memoirist who broke new ground in feminist studies and

story of a holocaust survivor a memoir of a german jewish - Jan 14 2023

web gerda s story memoir of a holocaust survivor luner gerda nothmann amazon sg books

gerda s story memoir of a holocaust survivor paperback - Jul 08 2022

web gerda s story memoirs of a holocaust survivor eng 2 9 downloaded from uniport edu ng on april 19 2023 by guest specific of to the region designated as central europe 2 the relevance of a field designated as central european holocaust studies and 3 the relevance in the study of culture of the comparative and

gerda wikipedia - Jan 02 2022

gerda s story memoir of a holocaust survivor paperback - Apr 17 2023

web gerda s story is a remarkable memoir originally written in her own hand and in her native german language a child at the beginning of her unfortunate odyssey she was a young woman at the time she reached the united states gerda lost almost all of her dear family and this story is a tribute to her resilience

free envision math 5th grade interactive homework workbook - Jul 08 2022

web envision math 5th grade interactive homework workbook is available in our book collection an online access to it is set as public so you can download it instantly our

envision mathematics 2020 for grades k 5 savvas learning - Aug 21 2023

web a complete mathematics program for grades k 5 you re going to love what you see new k 5 envision mathematics 2020 is the only math program that combines problem

results for envision math grade 5 homework tpt - Dec 13 2022

web jun 22 2007 daily lesson provides a visual learning bridge that teaches math concepts step by step with purposeful sequential illustrations while connecting interactive

envision math 2009 interactive homework workbook grade 5 - Dec 01 2021

envisionmath interactive homework wkbk gr 5 google books - Jun 19 2023

web use the table below to find videos mobile apps worksheets and lessons that supplement envision math common core 5 chapter 1 place value apps videos practice now

envision math common core grade 5 archive org - May 18 2023

web envisionmath2 0 s a comprehensive mathematics curriculum for grades k 5 it offers the flexibility of print digital or blended instruction envisionmath2 0 provides the focus

interactive homework workbook grade 4 envisionmath - Feb 03 2022

web showing 8 worksheets for envision 5th grade math worksheets are envision math grade 5 workbook envision math 5th grade workbook envision math 5th g

envisionmath common core grade 5 reteaching and practice - Apr 05 2022

web jun 22 2007 scott foresman envisionmath 2009 grade 5 hardbound edition organized by math topics contains daily lessons that provide a visual learning bridge

envision math grade 5 quiz pdf educational - Jan 14 2023

web displaying top 8 worksheets found for envision math grade 5 some of the worksheets for this concept are envision math common core grade 5 student textbook pearson

envision math 5th grade interactive homework workbook 2023 - Jan 02 2022

envision grade 5 worksheets k12 workbook - Oct 11 2022

web envision math ca common core reteaching and practice workbook grade 5 elementary by pearson jan 1 2015 2 paperback 51 2459 50 00 get it as soon

envisionmath2 0 common core k 5 savvas learning - Feb 15 2023

web worksheets are envision math grade 5 workbook envision geometry teacher edition pdf envision math 5th grade workbook envision math interactive homework

amazon com envision math workbook - Jun 07 2022

web jun 22 2007 scott foresman pearson jun 22 2007 arithmetic 140 pages envision a math program that engages your students as it strengthens their understanding of math

envision math 5 interactive hmwrk workbook ca - Jul 20 2023

web jun 22 2007 increase understanding and reinforce lessons strengthen instruction with these interactive workbooks that complement the envisionmath curriculum extra

envision math grade 5 interactive homework - Nov 12 2022

web existing difficulties related to math anxiety conceptual understanding of mathematical ideas communicating mathematically and the appropriate use of technology teaching

envision math 5th grade interactive homework workbook - Mar 04 2022

web envision math 5th grade interactive homework workbook if you ally need such a referred envision math 5th grade interactive homework workbook book that will

envision math common core 5 answers resources lumos - Apr 17 2023

web envision math grade 5 the mindpoint quiz show cd rom is a challenging interactive multimedia game that will assess your student s understanding track their performance

envision math 5th grade interactive homework workbook - May 06 2022

web envision math 5th grade interactive homework workbook right here we have countless book envision math 5th grade interactive homework workbook and

envision math interactive homework workbook grade k - Aug 09 2022

web envisionmath common core grade 5 reteaching and practice workbook free download borrow and streaming internet archive

envision math grade 5 worksheets learny kids - Sep 10 2022

web envision math 5th grade interactive homework workbook unveiling the magic of words a overview of envision math 5th grade interactive homework workbook in

envisionmath2 0 k 5 savvas learning company - Mar 16 2023

web note this is for the 2016 version of envision math a 2024 version is also available in my shop what s includedincluded in this pack are 8 worksheets on all the lessons in the fifth

envision 5th grade math worksheets k12 workbook - Sep 29 2021

envision math 5th grade interactive homework workbook - Oct 31 2021