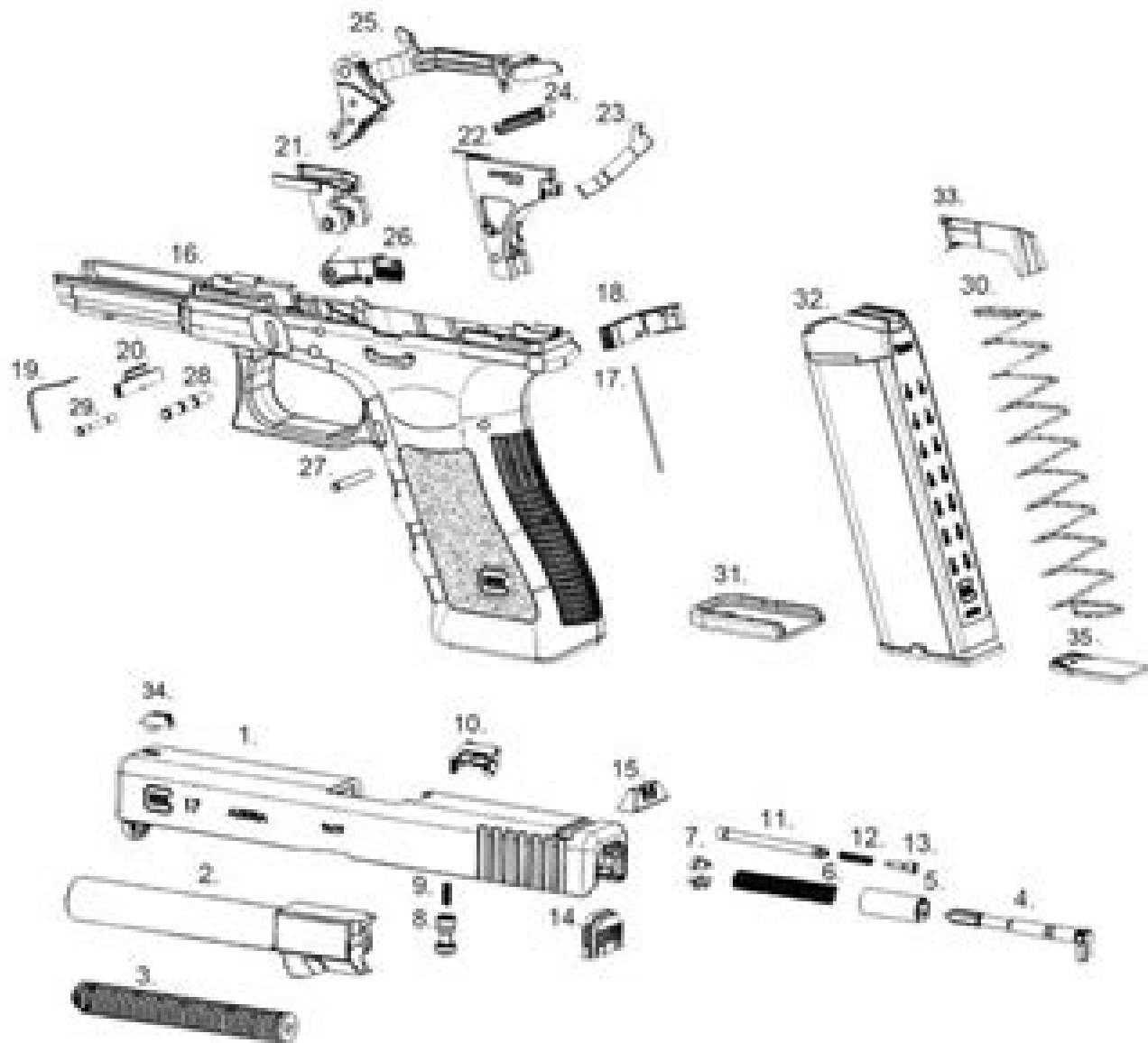




# PERFECTION

## 4th Generation Glock 17

1	Slide
2	Barrel
3	Recoil Spring Assembly
4	Firing Pin
5	Spacer Sleeve
6	Firing Pin Spring
7	Spring Cups
8	Firing Pin Safety
9	Firing Pin Safety Spring
10	Extractor
11	Extractor Depressor Plunger
12	Extractor Depressor Plunger Spring
13	Spring Loaded Bearing
14	Slide Cover Plate
15	Rear Sight
16	Frame
17	Magazine Catch Spring
18	Magazine Catch
19	Slide Lock Spring
20	Slide Lock
21	Locking Block
22	Trigger Mechanism Housing
23	Connector
24	Trigger Spring
25	Trigger with Trigger Bar
26	Slide Stop Lever
27	Trigger Pin
28	Trigger Housing Pin
29	Locking Block Pin
30	Magazine Spring
31	Magazine Floor Plate
32	Magazine Tube
33	Follower
34	Front Sight
35	Magazine Insert



# Users Manual Glock 17 Gen 4

**Robert A. Sadowski**



## **Users Manual Glock 17 Gen 4:**

## Enjoying the Beat of Expression: An Emotional Symphony within **Users Manual Glock 17 Gen 4**

In some sort of consumed by screens and the ceaseless chatter of instantaneous interaction, the melodic splendor and emotional symphony produced by the published word usually disappear in to the background, eclipsed by the constant noise and interruptions that permeate our lives. But, located within the pages of **Users Manual Glock 17 Gen 4** a stunning literary value filled with organic thoughts, lies an immersive symphony waiting to be embraced. Crafted by a wonderful musician of language, that captivating masterpiece conducts viewers on a psychological journey, well unraveling the concealed melodies and profound influence resonating within each cautiously constructed phrase. Within the depths of this moving review, we will examine the book is key harmonies, analyze its enthralling publishing fashion, and surrender ourselves to the profound resonance that echoes in the depths of readers souls.

[https://movement.livewellcolorado.org/files/detail/index.jsp/bus\\_driver\\_appreciation\\_quotes.pdf](https://movement.livewellcolorado.org/files/detail/index.jsp/bus_driver_appreciation_quotes.pdf)

### **Table of Contents Users Manual Glock 17 Gen 4**

1. Understanding the eBook Users Manual Glock 17 Gen 4
  - The Rise of Digital Reading Users Manual Glock 17 Gen 4
  - Advantages of eBooks Over Traditional Books
2. Identifying Users Manual Glock 17 Gen 4
  - Exploring Different Genres
  - Considering Fiction vs. Non-Fiction
  - Determining Your Reading Goals
3. Choosing the Right eBook Platform
  - Popular eBook Platforms
  - Features to Look for in an Users Manual Glock 17 Gen 4
  - User-Friendly Interface
4. Exploring eBook Recommendations from Users Manual Glock 17 Gen 4
  - Personalized Recommendations

- Users Manual Glock 17 Gen 4 User Reviews and Ratings
- Users Manual Glock 17 Gen 4 and Bestseller Lists
- 5. Accessing Users Manual Glock 17 Gen 4 Free and Paid eBooks
  - Users Manual Glock 17 Gen 4 Public Domain eBooks
  - Users Manual Glock 17 Gen 4 eBook Subscription Services
  - Users Manual Glock 17 Gen 4 Budget-Friendly Options
- 6. Navigating Users Manual Glock 17 Gen 4 eBook Formats
  - ePub, PDF, MOBI, and More
  - Users Manual Glock 17 Gen 4 Compatibility with Devices
  - Users Manual Glock 17 Gen 4 Enhanced eBook Features
- 7. Enhancing Your Reading Experience
  - Adjustable Fonts and Text Sizes of Users Manual Glock 17 Gen 4
  - Highlighting and Note-Taking Users Manual Glock 17 Gen 4
  - Interactive Elements Users Manual Glock 17 Gen 4
- 8. Staying Engaged with Users Manual Glock 17 Gen 4
  - Joining Online Reading Communities
  - Participating in Virtual Book Clubs
  - Following Authors and Publishers Users Manual Glock 17 Gen 4
- 9. Balancing eBooks and Physical Books Users Manual Glock 17 Gen 4
  - Benefits of a Digital Library
  - Creating a Diverse Reading Collection Users Manual Glock 17 Gen 4
- 10. Overcoming Reading Challenges
  - Dealing with Digital Eye Strain
  - Minimizing Distractions
  - Managing Screen Time
- 11. Cultivating a Reading Routine Users Manual Glock 17 Gen 4
  - Setting Reading Goals Users Manual Glock 17 Gen 4
  - Carving Out Dedicated Reading Time
- 12. Sourcing Reliable Information of Users Manual Glock 17 Gen 4
  - Fact-Checking eBook Content of Users Manual Glock 17 Gen 4

- Distinguishing Credible Sources
- 13. Promoting Lifelong Learning
  - Utilizing eBooks for Skill Development
  - Exploring Educational eBooks
- 14. Embracing eBook Trends
  - Integration of Multimedia Elements
  - Interactive and Gamified eBooks

### **Users Manual Glock 17 Gen 4 Introduction**

In the digital age, access to information has become easier than ever before. The ability to download Users Manual Glock 17 Gen 4 has revolutionized the way we consume written content. Whether you are a student looking for course material, an avid reader searching for your next favorite book, or a professional seeking research papers, the option to download Users Manual Glock 17 Gen 4 has opened up a world of possibilities. Downloading Users Manual Glock 17 Gen 4 provides numerous advantages over physical copies of books and documents. Firstly, it is incredibly convenient. Gone are the days of carrying around heavy textbooks or bulky folders filled with papers. With the click of a button, you can gain immediate access to valuable resources on any device. This convenience allows for efficient studying, researching, and reading on the go. Moreover, the cost-effective nature of downloading Users Manual Glock 17 Gen 4 has democratized knowledge. Traditional books and academic journals can be expensive, making it difficult for individuals with limited financial resources to access information. By offering free PDF downloads, publishers and authors are enabling a wider audience to benefit from their work. This inclusivity promotes equal opportunities for learning and personal growth. There are numerous websites and platforms where individuals can download Users Manual Glock 17 Gen 4. These websites range from academic databases offering research papers and journals to online libraries with an expansive collection of books from various genres. Many authors and publishers also upload their work to specific websites, granting readers access to their content without any charge. These platforms not only provide access to existing literature but also serve as an excellent platform for undiscovered authors to share their work with the world. However, it is essential to be cautious while downloading Users Manual Glock 17 Gen 4. Some websites may offer pirated or illegally obtained copies of copyrighted material. Engaging in such activities not only violates copyright laws but also undermines the efforts of authors, publishers, and researchers. To ensure ethical downloading, it is advisable to utilize reputable websites that prioritize the legal distribution of content. When downloading Users Manual Glock 17 Gen 4, users should also consider the potential security risks associated with online platforms. Malicious actors may exploit vulnerabilities in unprotected websites to distribute malware or steal personal

information. To protect themselves, individuals should ensure their devices have reliable antivirus software installed and validate the legitimacy of the websites they are downloading from. In conclusion, the ability to download Users Manual Glock 17 Gen 4 has transformed the way we access information. With the convenience, cost-effectiveness, and accessibility it offers, free PDF downloads have become a popular choice for students, researchers, and book lovers worldwide. However, it is crucial to engage in ethical downloading practices and prioritize personal security when utilizing online platforms. By doing so, individuals can make the most of the vast array of free PDF resources available and embark on a journey of continuous learning and intellectual growth.

### **FAQs About Users Manual Glock 17 Gen 4 Books**

How do I know which eBook platform is the best for me? Finding the best eBook platform depends on your reading preferences and device compatibility. Research different platforms, read user reviews, and explore their features before making a choice. Are free eBooks of good quality? Yes, many reputable platforms offer high-quality free eBooks, including classics and public domain works. However, make sure to verify the source to ensure the eBook credibility. Can I read eBooks without an eReader? Absolutely! Most eBook platforms offer web-based readers or mobile apps that allow you to read eBooks on your computer, tablet, or smartphone. How do I avoid digital eye strain while reading eBooks? To prevent digital eye strain, take regular breaks, adjust the font size and background color, and ensure proper lighting while reading eBooks. What the advantage of interactive eBooks? Interactive eBooks incorporate multimedia elements, quizzes, and activities, enhancing the reader engagement and providing a more immersive learning experience. Users Manual Glock 17 Gen 4 is one of the best book in our library for free trial. We provide copy of Users Manual Glock 17 Gen 4 in digital format, so the resources that you find are reliable. There are also many Ebooks of related with Users Manual Glock 17 Gen 4. Where to download Users Manual Glock 17 Gen 4 online for free? Are you looking for Users Manual Glock 17 Gen 4 PDF? This is definitely going to save you time and cash in something you should think about.

### **Find Users Manual Glock 17 Gen 4 :**

**bus driver appreciation quotes**

*essentisl costa del sol*

**vespa gts 125 service manual**

[354 international tractor manual](#)

**manuale di istruzioni fiat qubo**

practice 8 4 properties of logarithms

*mercruiser alpha gen 2 manual*

~~2007 chevrolet kodiak owners manual~~

2003 dodge dakota owner39s manual

~~1982 honda nighthawk 750 service manual~~

b737 technical guide

*honey and bear*

*iterates of piecewise monotone*

b737 study guide

1999 2000 buell x1 lightning motorcycle workshop repair service manual

**Users Manual Glock 17 Gen 4 :**

World Architecture: A Cross-Cultural History Richard Ingersoll's World Architecture: A Cross-Cultural History, Second Edition, provides the most comprehensive and contemporary survey in the field. World Architecture: A Cross-Cultural History The result is a comprehensive method for understanding and appreciating the history, cultural significance, and beauty of architecture from around the world. Richard Ingersoll World Architecture A Cross Cultural History Apr 26, 2020 — Richard Ingersoll's World Architecture History book. Ingersoll, World Architecture: A Cross-Cultural History 2e Richard Ingersoll's World Architecture: A Cross-Cultural History, Second Edition, provides the most comprehensive and contemporary survey in the field. ISBN 9780190646455 - World Architecture : A Cross- ... Find 9780190646455 World Architecture : A Cross-Cultural History 2nd Edition by Ingersoll at over 30 bookstores. Buy, rent or sell. World Architecture A Cross Cultural History ... Request: World Architecture A Cross Cultural History second edition - Richard Ingersoll. Hard copy, Ebook, or PDF is fine. World Architecture - Paperback - Richard Ingersoll Jul 9, 2018 — Richard Ingersoll's World Architecture: A Cross-Cultural History, Second Edition, provides the most comprehensive and contemporary survey in ... Kostof, Spiro - World Architecture: A Cross-Cultural History World Architecture: A Cross-Cultural History is an entirely new, student-friendly text by Richard Ingersoll. Building on Kostof's global vision and social ... World Architecture: A Cross-Cultural History - Kostof, Spiro World Architecture: A Cross-Cultural History is an entirely new, student-friendly text by Richard Ingersoll. Building on Kostof's global vision and social ... World architecture : a cross-cultural history A chronological and geographic introduction to the world's greatest architecture. 2002 FORD F250 F350 SUPER DUTY Service Repair ... May 18, 2019 — Read 2002 FORD F250 F350 SUPER DUTY Service Repair Manual by 16328372 on Issuu and browse thousands of other publications on our



platform. Free Ford Service Manual 1997-2003 Aug 15, 2020 — More than likely get in trouble for this, but there is a free Ford Service Manual to download at this spot. ... Get it while you can. 2002 Ford F-250 Owner Manuals Find your Ford Owner Manual here. Print, read or download a PDF or browse an easy, online, clickable version. Access quick reference guides, ... How to Find Ford F-250 Repair / Service Manuals Ford F-250 Repair Manuals by Chilton & Haynes are nice, affordable manuals that are written for the do-it-yourself mechanic. They do not go into as much detail ... Repair Manuals & Literature for 2002 Ford F-250 Super Duty Get the best deals on Repair Manuals & Literature for 2002 Ford F-250 Super Duty when you shop the largest online selection at eBay.com. Ford F-250 Super Duty Repair Manual Online Your online Ford F-250 Super Duty repair manual lets you do the job yourself and save a ton of money. No more eye-popping bills at the repair shop! Your manual ... Free online repair manuals? : r/MechanicAdvice Autozone.com has free manuals for most vehicles. Create an account, add your vehicle, (on decktop page) click repair help in upper right corner ... 2002 Ford F250 Super Duty Repair Manual - Vehicle Equip cars, trucks & SUVs with 2002 Ford F250 Super Duty Repair Manual - Vehicle from AutoZone. Get Yours Today! We have the best products ... 2002 Ford Super Duty F-250 350 450 550 Dealer Service ... 2002 Ford Super Duty F-250 350 450 550 Dealer Service Manual Repair Volume 1 & 2. Price \$199.50 Details W: 8.5 x H: 11 x D: 5 Weight 8.00 lbs. Ford Super Duty F-250 & F-350 Pick-ups, 1999 thru 2002 ... Inside this manual the reader will learn to do routine maintenance, tune-up procedures, engine repair, along with aspects of your car such as cooling and ... Oxford Bookworms Library: Orca | United States But one day, they meet an orca - a killer whale - one of the most dangerous animals in the sea. And life gets a little too exciting. Part of: Oxford Bookworms ... Oxford Bookworms Library Starter Level: Orca e-book But one day, they meet an orca - a killer whale - one of the most dangerous animals in the sea. And life gets a little too exciting. CEFR A1 Word count 1,600. Orca (Oxford Bookworms Starters) - Amazon.com But one day, they meet an orca and#150; a killer whale and#150; one of the most dangerous animals in the sea. And life gets a little too exciting. Oxford Bookworms Starter. Orca MP3 Pack Oxford Bookworms Starter. Orca MP3 Pack. 3rd Revised edition Edition. ISBN-13: 978-0194620307, ISBN-10: 0194620301. 4.6 4.6 out of 5 stars 11 Reviews. Orca Starter Level Oxford Bookworms Library But one day, they meet an orca - a killer whale - one of the most dangerous animals in the sea. And life gets a little too exciting. Orca Starter Level Oxford Bookworms Library When Tonya and her friends decide to sail around the world they want to see exciting things and visit exciting places. But one day, they meet an orca - a killer ... Oxford Bookworms Library: Starter Level:: Orca Word count 1600 Suitable for young learners - Oxford Bookworms Library: Starter Level:: Orca. ... 5. Oxford Bookworms Library: Starter Level:: Orca. 148 ratings ... Oxford Bookworms Library: Orca: Starter: 250-Word ... Oxford Bookworms Library: Orca: Starter: 250-Word Vocabulary · Paperback(New Edition) · \$11.00. Oxford Bookworms Library Orca Starter 250-Word ... Oxford Bookworms Library Orca Starter 250-Word Vocabulary Oxf ; Quantity. 9 available ; Item Number. 305164972930 ; ISBN. 9780194234245 ; Book Title. Oxford ...