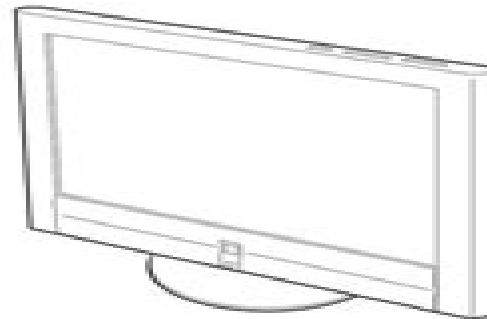


# KE-42TS2E

## SERVICE MANUAL

AEP Model  
UK Model



### SPECIFICATIONS

#### TV system:

Depending on your country selection: B/G/HL, D/K, L, I

#### Colour system:

PAL, SECAM

NTSC 3.58, 4.43 (only Video In)

#### Channel Coverage:

VHF: E2-E12

UHF: E21-E49

CATV: S1-S20

HYPER: S21-S43

D/K: R1-R12, R21-R49

L: F2-F10, B-G, F21-F49

I: UHF R21-R49

#### Screen size (measured diagonally):

42 inches

approx. 107 cm. (measured diagonally)

#### Panel System:

Plasma Display panel

#### Display resolution:

504 dots (horizontal) x 1024 lines (vertical)

#### Rear Terminals:

①-1 / ②

21-pin Smart connector SCENELIC standard (including audio/video input, RGB input, TV audio/video output)

①-2 / ③

21-pin Smart connector SCENELIC standard (including audio/video input, RGB input, TV audio/video output)

①-3 / ④ SMARTLINK

21-pin Smart connector SCENELIC standard (including audio/video input, S-video input, selectable audio/video output and Smartlink interface)

①

audio outputs (Left/Right) - phono jacks

①-4

S-video input (4-pin mini DIN):

T: 1 Vp-p, 75-ohms unbalanced, sync negative

C: 0.286 Vp-p (Burnt signal), 75-ohms

①-4

video input (phono jack):

1 Vp-p, 75-ohms unbalanced, sync negative

①-4

audio input (phono jacks):

500 mV rms (100% modulation),

Impedance: 47 kilo-ohms

①-5

T: 1 Vp-p, 75-ohms, 0.5V negative sync

R: 0.7 Vp-p, 75-ohms

B: 0.7 Vp-p, 75-ohms

①-6

G: 0.7 Vp-p, 75-ohms, Sync on Green

B: 0.7 Vp-p, 75-ohms, Sync on Green

R: 0.7 Vp-p, 75-ohms, Sync on Green

①-7

G: 0.7 Vp-p, 75-ohms, non Sync on Green

B: 0.7 Vp-p, 75-ohms, non Sync on Green

R: 0.7 Vp-p, 75-ohms, non Sync on Green

RED-1 S Vp-p

YED: 1-3 Vp-p

①-5

audio input (phono jacks)

500 mV rms (100% modulation),

Impedance: 47 kilo-ohms

④ SUB WOOFER: phono jack

CTRL S: mini-jacks

#### Front Terminals:

① Headphones jack

#### Sound Output:

2 x 5 W (DIN)

#### Power Consumption:

350 W

#### Standby Power Consumption:

2.5 W

#### Dimensions (w x h x d):

Approx. 1,056 x 764 x 124 mm.

#### Weight:

37.0 Kg.

#### Accessories supplied:

One Remote Control (RM-R32)

Two Batteries (SR-type)

Two Brackets

One co-axial cable

One AC Cable (Type C)

One AC Cable (Type B)

This cable may not be supplied depending on

the country.

One Cleaning cloth

#### Other features:

- Teletext, Fastext, POPtext
- Sleep Timer
- Smartlink (direct link between your TV set and a compatible VCR. For more information on Smartlink, please refer to the Instruction Manual of your VCR).
- TV system Autodetection
- Auto Format

Design and specifications are subject to change without notice.

Ecological Paper - Totally Chlorine Free

## FLAT PANEL COLOR TELEVISION

# SONY

# Sony Flat Panel Color Tv Ke 42ts2e Service Manual

**Lingsheng Yao**



**Sony Flat Panel Color Tv Ke 42ts2e Service Manual:**

When people should go to the ebook stores, search start by shop, shelf by shelf, it is really problematic. This is why we offer the ebook compilations in this website. It will extremely ease you to see guide **Sony Flat Panel Color Tv Ke 42ts2e Service Manual** as you such as.

By searching the title, publisher, or authors of guide you in point of fact want, you can discover them rapidly. In the house, workplace, or perhaps in your method can be every best area within net connections. If you object to download and install the Sony Flat Panel Color Tv Ke 42ts2e Service Manual, it is totally simple then, since currently we extend the connect to purchase and make bargains to download and install Sony Flat Panel Color Tv Ke 42ts2e Service Manual as a result simple!

<https://movement.livewellcolorado.org/data/publication/index.jsp/Multiple%20Choice%20Secant%20Tangent%20Angles.pdf>

## **Table of Contents Sony Flat Panel Color Tv Ke 42ts2e Service Manual**

1. Understanding the eBook Sony Flat Panel Color Tv Ke 42ts2e Service Manual
  - The Rise of Digital Reading Sony Flat Panel Color Tv Ke 42ts2e Service Manual
  - Advantages of eBooks Over Traditional Books
2. Identifying Sony Flat Panel Color Tv Ke 42ts2e Service Manual
  - Exploring Different Genres
  - Considering Fiction vs. Non-Fiction
  - Determining Your Reading Goals
3. Choosing the Right eBook Platform
  - Popular eBook Platforms
  - Features to Look for in an Sony Flat Panel Color Tv Ke 42ts2e Service Manual
  - User-Friendly Interface
4. Exploring eBook Recommendations from Sony Flat Panel Color Tv Ke 42ts2e Service Manual
  - Personalized Recommendations
  - Sony Flat Panel Color Tv Ke 42ts2e Service Manual User Reviews and Ratings
  - Sony Flat Panel Color Tv Ke 42ts2e Service Manual and Bestseller Lists

5. Accessing Sony Flat Panel Color Tv Ke 42ts2e Service Manual Free and Paid eBooks
  - Sony Flat Panel Color Tv Ke 42ts2e Service Manual Public Domain eBooks
  - Sony Flat Panel Color Tv Ke 42ts2e Service Manual eBook Subscription Services
  - Sony Flat Panel Color Tv Ke 42ts2e Service Manual Budget-Friendly Options
6. Navigating Sony Flat Panel Color Tv Ke 42ts2e Service Manual eBook Formats
  - ePub, PDF, MOBI, and More
  - Sony Flat Panel Color Tv Ke 42ts2e Service Manual Compatibility with Devices
  - Sony Flat Panel Color Tv Ke 42ts2e Service Manual Enhanced eBook Features
7. Enhancing Your Reading Experience
  - Adjustable Fonts and Text Sizes of Sony Flat Panel Color Tv Ke 42ts2e Service Manual
  - Highlighting and Note-Taking Sony Flat Panel Color Tv Ke 42ts2e Service Manual
  - Interactive Elements Sony Flat Panel Color Tv Ke 42ts2e Service Manual
8. Staying Engaged with Sony Flat Panel Color Tv Ke 42ts2e Service Manual
  - Joining Online Reading Communities
  - Participating in Virtual Book Clubs
  - Following Authors and Publishers Sony Flat Panel Color Tv Ke 42ts2e Service Manual
9. Balancing eBooks and Physical Books Sony Flat Panel Color Tv Ke 42ts2e Service Manual
  - Benefits of a Digital Library
  - Creating a Diverse Reading Collection Sony Flat Panel Color Tv Ke 42ts2e Service Manual
10. Overcoming Reading Challenges
  - Dealing with Digital Eye Strain
  - Minimizing Distractions
  - Managing Screen Time
11. Cultivating a Reading Routine Sony Flat Panel Color Tv Ke 42ts2e Service Manual
  - Setting Reading Goals Sony Flat Panel Color Tv Ke 42ts2e Service Manual
  - Carving Out Dedicated Reading Time
12. Sourcing Reliable Information of Sony Flat Panel Color Tv Ke 42ts2e Service Manual
  - Fact-Checking eBook Content of Sony Flat Panel Color Tv Ke 42ts2e Service Manual
  - Distinguishing Credible Sources
13. Promoting Lifelong Learning

- Utilizing eBooks for Skill Development
  - Exploring Educational eBooks
14. Embracing eBook Trends
- Integration of Multimedia Elements
  - Interactive and Gamified eBooks

### **Sony Flat Panel Color Tv Ke 42ts2e Service Manual Introduction**

In this digital age, the convenience of accessing information at our fingertips has become a necessity. Whether its research papers, eBooks, or user manuals, PDF files have become the preferred format for sharing and reading documents. However, the cost associated with purchasing PDF files can sometimes be a barrier for many individuals and organizations. Thankfully, there are numerous websites and platforms that allow users to download free PDF files legally. In this article, we will explore some of the best platforms to download free PDFs. One of the most popular platforms to download free PDF files is Project Gutenberg. This online library offers over 60,000 free eBooks that are in the public domain. From classic literature to historical documents, Project Gutenberg provides a wide range of PDF files that can be downloaded and enjoyed on various devices. The website is user-friendly and allows users to search for specific titles or browse through different categories. Another reliable platform for downloading Sony Flat Panel Color Tv Ke 42ts2e Service Manual free PDF files is Open Library. With its vast collection of over 1 million eBooks, Open Library has something for every reader. The website offers a seamless experience by providing options to borrow or download PDF files. Users simply need to create a free account to access this treasure trove of knowledge. Open Library also allows users to contribute by uploading and sharing their own PDF files, making it a collaborative platform for book enthusiasts. For those interested in academic resources, there are websites dedicated to providing free PDFs of research papers and scientific articles. One such website is Academia.edu, which allows researchers and scholars to share their work with a global audience. Users can download PDF files of research papers, theses, and dissertations covering a wide range of subjects. Academia.edu also provides a platform for discussions and networking within the academic community. When it comes to downloading Sony Flat Panel Color Tv Ke 42ts2e Service Manual free PDF files of magazines, brochures, and catalogs, Issuu is a popular choice. This digital publishing platform hosts a vast collection of publications from around the world. Users can search for specific titles or explore various categories and genres. Issuu offers a seamless reading experience with its user-friendly interface and allows users to download PDF files for offline reading. Apart from dedicated platforms, search engines also play a crucial role in finding free PDF files. Google, for instance, has an advanced search feature that allows users to filter results by file type. By specifying the file type as "PDF," users can find websites that offer free PDF downloads on a specific topic. While downloading Sony Flat Panel Color Tv Ke

42ts2e Service Manual free PDF files is convenient, its important to note that copyright laws must be respected. Always ensure that the PDF files you download are legally available for free. Many authors and publishers voluntarily provide free PDF versions of their work, but its essential to be cautious and verify the authenticity of the source before downloading Sony Flat Panel Color Tv Ke 42ts2e Service Manual. In conclusion, the internet offers numerous platforms and websites that allow users to download free PDF files legally. Whether its classic literature, research papers, or magazines, there is something for everyone. The platforms mentioned in this article, such as Project Gutenberg, Open Library, Academia.edu, and Issuu, provide access to a vast collection of PDF files. However, users should always be cautious and verify the legality of the source before downloading Sony Flat Panel Color Tv Ke 42ts2e Service Manual any PDF files. With these platforms, the world of PDF downloads is just a click away.

### **FAQs About Sony Flat Panel Color Tv Ke 42ts2e Service Manual Books**

How do I know which eBook platform is the best for me? Finding the best eBook platform depends on your reading preferences and device compatibility. Research different platforms, read user reviews, and explore their features before making a choice. Are free eBooks of good quality? Yes, many reputable platforms offer high-quality free eBooks, including classics and public domain works. However, make sure to verify the source to ensure the eBook credibility. Can I read eBooks without an eReader? Absolutely! Most eBook platforms offer webbased readers or mobile apps that allow you to read eBooks on your computer, tablet, or smartphone. How do I avoid digital eye strain while reading eBooks? To prevent digital eye strain, take regular breaks, adjust the font size and background color, and ensure proper lighting while reading eBooks. What the advantage of interactive eBooks? Interactive eBooks incorporate multimedia elements, quizzes, and activities, enhancing the reader engagement and providing a more immersive learning experience. Sony Flat Panel Color Tv Ke 42ts2e Service Manual is one of the best book in our library for free trial. We provide copy of Sony Flat Panel Color Tv Ke 42ts2e Service Manual in digital format, so the resources that you find are reliable. There are also many Ebooks of related with Sony Flat Panel Color Tv Ke 42ts2e Service Manual. Where to download Sony Flat Panel Color Tv Ke 42ts2e Service Manual online for free? Are you looking for Sony Flat Panel Color Tv Ke 42ts2e Service Manual PDF? This is definitely going to save you time and cash in something you should think about. If you trying to find then search around for online. Without a doubt there are numerous these available and many of them have the freedom. However without doubt you receive whatever you purchase. An alternate way to get ideas is always to check another Sony Flat Panel Color Tv Ke 42ts2e Service Manual. This method for see exactly what may be included and adopt these ideas to your book. This site will almost certainly help you save time and effort, money and stress. If you are looking for free books then you really should consider finding to assist you try

this. Several of Sony Flat Panel Color Tv Ke 42ts2e Service Manual are for sale to free while some are payable. If you arent sure if the books you would like to download works with for usage along with your computer, it is possible to download free trials. The free guides make it easy for someone to free access online library for download books to your device. You can get free download on free trial for lots of books categories. Our library is the biggest of these that have literally hundreds of thousands of different products categories represented. You will also see that there are specific sites catered to different product types or categories, brands or niches related with Sony Flat Panel Color Tv Ke 42ts2e Service Manual. So depending on what exactly you are searching, you will be able to choose e books to suit your own need. Need to access completely for Campbell Biology Seventh Edition book? Access Ebook without any digging. And by having access to our ebook online or by storing it on your computer, you have convenient answers with Sony Flat Panel Color Tv Ke 42ts2e Service Manual To get started finding Sony Flat Panel Color Tv Ke 42ts2e Service Manual, you are right to find our website which has a comprehensive collection of books online. Our library is the biggest of these that have literally hundreds of thousands of different products represented. You will also see that there are specific sites catered to different categories or niches related with Sony Flat Panel Color Tv Ke 42ts2e Service Manual So depending on what exactly you are searching, you will be able to choose ebook to suit your own need. Thank you for reading Sony Flat Panel Color Tv Ke 42ts2e Service Manual. Maybe you have knowledge that, people have search numerous times for their favorite readings like this Sony Flat Panel Color Tv Ke 42ts2e Service Manual, but end up in harmful downloads. Rather than reading a good book with a cup of coffee in the afternoon, instead they juggled with some harmful bugs inside their laptop. Sony Flat Panel Color Tv Ke 42ts2e Service Manual is available in our book collection an online access to it is set as public so you can download it instantly. Our digital library spans in multiple locations, allowing you to get the most less latency time to download any of our books like this one. Merely said, Sony Flat Panel Color Tv Ke 42ts2e Service Manual is universally compatible with any devices to read.

### **Find Sony Flat Panel Color Tv Ke 42ts2e Service Manual :**

*multiple choice secant tangent angles*

**70 smoothie recipes for weight loss detoxing and vibrant health**

*12 3 form g inscribed angles geometry worksheet*

*aban offshore limited iran hostage*

key of sea

takeuchi tb1140 hydraulic excavator parts manual sn 51410002 and up

*earth science guided study workbook answers 6*

*ohio risk assessment system interview guide*



*the banner campaign banners and its positive sides*

~~1982 honda nighthawk cb650 manual~~

**onity ht 2lock technical service manual**

~~how to survive and maybe even love your first year as a nurse~~

**bus car manual**

6 hp chrysler outboard manual

*land use planning a casebook 2nd edition*

### **Sony Flat Panel Color Tv Ke 42ts2e Service Manual :**

owners handbook - frelander (2001).pdf This book contains instructions for operating and maintaining the softback and hardback, as well as for removing and refitting the roof bars (if fitted). Frelander Owner's Handbook - Eng - TOPIx Full operating instructions for any audio equipment fitted as standard to your vehicle, are contained in the 'In-Car Entertainment' book in the vehicle ... Frelander 04MY Owner's Handbook - 2nd Edition - Enx - TOPIx Read the instructions below and the advice contained under the heading 'SEAT BELT. SAFETY', page 40. Fastening the seat belts. Inertia reel belts are fitted to ... User manual Land Rover Frelander (2000) (English Manual. View the manual for the Land Rover Frelander (2000) here, for free. This manual comes under the category cars and has been rated by 27 people with ... Land Rover Frelander - User's manuals - Manuals frelander 2003 owners manual.pdf. OWNER'S HANDBOOK Publication Part No ... frelander 2007 owners manual.pdf. OWNER'S HANDBOOK Publication Part No. LRL 10 02 ... coa-motorized-owners-manual.pdf This owner's manual is designed as a Quick Reference guide for the operation and care of your new purchase. For more complete instructions regarding safety, ... Land Rover iGuide Online Land Rover iGuide Online. Please select your vehicle and model year below to access the owner information. Get Started. iGuide contains the very latest ... Coachmen Owners Manuals ELECTRONIC, INTERACTIVE OWNER'S MANUALS. Visit our dynamic online manual to enhance your ownership experience. This interactive option provides incredible ease ... Coachmen RV Frelander Owner's Manual View and Download Coachmen RV Frelander owner's manual online. class c. Frelander motorhomes pdf manual download. Chemical Principles - 6th Edition - Solutions and Answers Find step-by-step solutions and answers to Chemical Principles - 9780618946907, as well as thousands of textbooks so you can move forward with confidence. Student Solutions Manual for Zumdahl's Chemical ... Zumdahl. Student Solutions Manual for Zumdahl's Chemical Principles with OWL, Enhanced Edition, 6th. 6th Edition. ISBN-13: 978-1111426309, ISBN-10: 1111426309. Chemical Principles Steven Zumdahl Solution Manual: Books Student Solutions Manual for Zumdahl's Chemical Principles with OWL, Enhanced Edition, 6th. by Steven S. Zumdahl · 4.04.0 out of 5 stars (1) · Paperback ... Student Solutions Manual for Zumdahls Chemical ... Student Solutions Manual for Zumdahls

Chemical Principles with OWL, Enhanced Edition, 6th. by Zumdahl, Steven S. Used. Condition: UsedGood; ISBN 10: 1111426309 ... Solutions Manual Chemical Principles 6th edition by ... Solutions Manual of Organic Structures From Spectra by Field & Sternhell | 4th edition. Solutions Manuals & Test Banks | Instant Download. 9781133109235 | Student Solutions Manual for Jan 1, 2012 — Rent textbook Student Solutions Manual for Zumdahl/DeCoste's Chemical Principles, 7th by Zumdahl, Steven S. - 9781133109235. Price: \$48.49. Chemical Principles | Rent | 9780618946907 Zumdahl. Every textbook comes with a 21-day "Any Reason" guarantee. Published by Brooks Cole. Chemical Principles 6th edition solutions are available for ... Student Solutions Manual for Zumdahl S Chemical ... Student Solutions Manual for Zumdahl S Chemical Principles by Zumdahl, Steven S. ; Item Number. 374968094927 ; Binding. Paperback ; Weight. 1 lbs ; Accurate ... Solved: Chapter 14 Problem 61P Solution - 6th edition Access Chemical Principles 6th Edition Chapter 14 Problem 61P solution now. Our solutions ... Zumdahl Rent | Buy. Alternate ISBN: 9780495759737, 9781111807658. Chemistry 6th Edition by Steven Zumdahl Study Guide for Zumdahl's Chemical Principles, 6th Edition. Steven S. Zumdahl ... Student Solutions Manual for Zumdahl's Chemical Principles: Zumdahl, Steven S. Chemistry - 11th Edition - Solutions and Answers Find step-by-step solutions and answers to Chemistry - 9780073402680, as well as ... Chang. ISBN: 9780073402680. Alternate ISBNs. Kenneth A. Goldsby, Raymond ... Química. Solucionario. Chang & Goldsby. 11va edición. ... (Chemistry. Solutions manual. 11th edition). 697 Pages. Química. Solucionario. Chang & Goldsby. 11va edición. (Chemistry. Solutions manual. 11th edition) ... Student Solutions Manual for Chemistry by Chang, Raymond Cruickshank (Northern Arizona University), Raymond Chang, and Ken Goldsby. This supplement contains detailed solutions and explanations for even-numbered ... Student solutions manual to accompany Chemistry ... Student solutions manual to accompany Chemistry, eleventh edition, [by] Raymond Chang, Kenneth A. Goldsby | WorldCat.org. Chemistry, 11th Edition by Raymond Chang The book features a straightforward, clear writing style and proven problem-solving strategies. It continues the tradition of providing a firm foundation in ... Kenneth A Goldsby Solutions Books by Kenneth A Goldsby with Solutions ; Chemistry 11th Edition 3580 Problems solved, Raymond Chang, Kenneth A Goldsby ; Student Study Guide for Chemistry 11th ... Student Solutions Manual for Chemistry | Rent Student Solutions Manual for Chemistry 11th edition ; ISBN-13: 9780077386542 ; Authors: Raymond Chang, Kenneth Goldsby ; Full Title: Student Solutions Manual for ... Raymond Goldsby Chang | Get Textbooks Student Solutions Manual for Chemistry(11th Edition) by Raymond Chang, Kenneth A. Goldsby, Brandon Cruickshank, Robert Powell Paperback, 656 Pages ... Chemistry 11th Edition Raymond Chang and Kenneth A. ... Chemistry 11th Edition Raymond Chang and Kenneth A. Goldsby ; Subject. Chemistry ; Type. Textbook ; Accurate description. 4.8 ; Reasonable shipping cost. 4.5. The solutions of Chemistry by Raymond Chang 12th(11th ... Photosynthesis changes water, carbon dioxide, etc., into complex organic matter. (e) Physical change. The salt can be recovered unchanged by evaporation ...