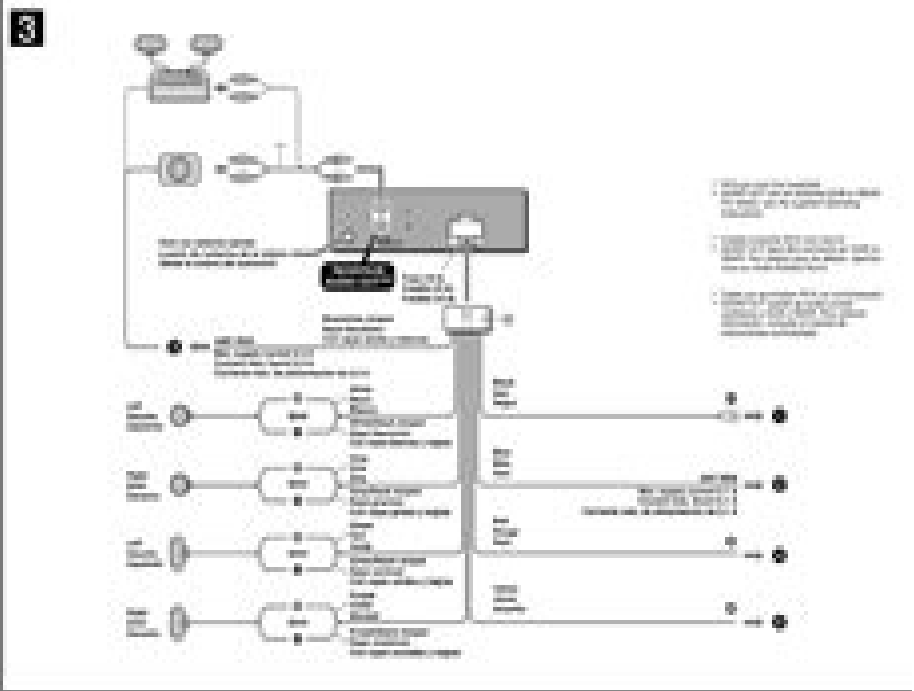
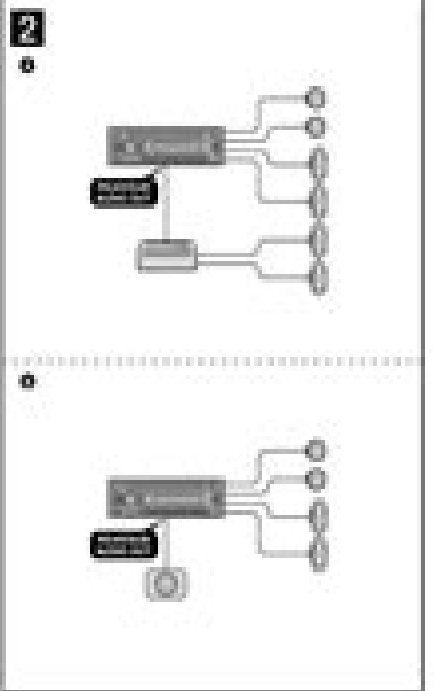
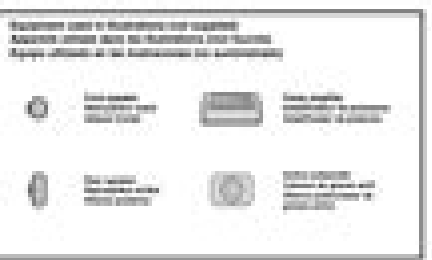
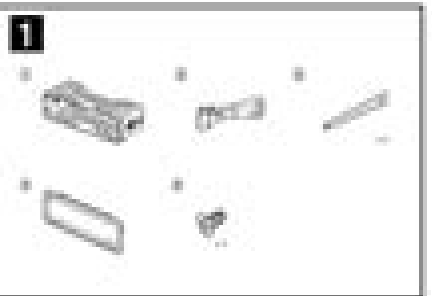


FM/AM Compact Disc Player

Installation/Connections
 Installation/Conexiones
 Installation/Conexiones
 CDR-GT30W



Front Panel

1. CD cover cap screw
 2. CD cover cap
 3. CD cover
 4. CD cover cap screw
 5. CD cover cap

Front Panel

1. CD cover cap screw
 2. CD cover cap
 3. CD cover
 4. CD cover cap screw
 5. CD cover cap

Front Panel

1. CD cover cap screw
 2. CD cover cap
 3. CD cover
 4. CD cover cap screw
 5. CD cover cap

Front Panel

1. CD cover cap screw
 2. CD cover cap
 3. CD cover
 4. CD cover cap screw
 5. CD cover cap

Front Panel

1. CD cover cap screw
 2. CD cover cap
 3. CD cover
 4. CD cover cap screw
 5. CD cover cap

Front Panel

1. CD cover cap screw
 2. CD cover cap
 3. CD cover
 4. CD cover cap screw
 5. CD cover cap

Front Panel

1. CD cover cap screw
 2. CD cover cap
 3. CD cover
 4. CD cover cap screw
 5. CD cover cap

Front Panel

1. CD cover cap screw
 2. CD cover cap
 3. CD cover
 4. CD cover cap screw
 5. CD cover cap

Sony Cdx Gt23w Manual

JE Gale



Sony Cdx Gt23w Manual:

Immerse yourself in heartwarming tales of love and emotion with Crafted by is touching creation, **Sony Cdx Gt23w Manual** . This emotionally charged ebook, available for download in a PDF format (PDF Size: *), is a celebration of love in all its forms. Download now and let the warmth of these stories envelop your heart.

https://movement.livewellcolorado.org/About/Resources/Download_PDFS/somewhere_over_the_rainbow_notes_piano.pdf

Table of Contents Sony Cdx Gt23w Manual

1. Understanding the eBook Sony Cdx Gt23w Manual
 - The Rise of Digital Reading Sony Cdx Gt23w Manual
 - Advantages of eBooks Over Traditional Books
2. Identifying Sony Cdx Gt23w Manual
 - Exploring Different Genres
 - Considering Fiction vs. Non-Fiction
 - Determining Your Reading Goals
3. Choosing the Right eBook Platform
 - Popular eBook Platforms
 - Features to Look for in an Sony Cdx Gt23w Manual
 - User-Friendly Interface
4. Exploring eBook Recommendations from Sony Cdx Gt23w Manual
 - Personalized Recommendations
 - Sony Cdx Gt23w Manual User Reviews and Ratings
 - Sony Cdx Gt23w Manual and Bestseller Lists
5. Accessing Sony Cdx Gt23w Manual Free and Paid eBooks
 - Sony Cdx Gt23w Manual Public Domain eBooks
 - Sony Cdx Gt23w Manual eBook Subscription Services
 - Sony Cdx Gt23w Manual Budget-Friendly Options
6. Navigating Sony Cdx Gt23w Manual eBook Formats

- ePub, PDF, MOBI, and More
 - Sony Cdx Gt23w Manual Compatibility with Devices
 - Sony Cdx Gt23w Manual Enhanced eBook Features
7. Enhancing Your Reading Experience
 - Adjustable Fonts and Text Sizes of Sony Cdx Gt23w Manual
 - Highlighting and Note-Taking Sony Cdx Gt23w Manual
 - Interactive Elements Sony Cdx Gt23w Manual
 8. Staying Engaged with Sony Cdx Gt23w Manual
 - Joining Online Reading Communities
 - Participating in Virtual Book Clubs
 - Following Authors and Publishers Sony Cdx Gt23w Manual
 9. Balancing eBooks and Physical Books Sony Cdx Gt23w Manual
 - Benefits of a Digital Library
 - Creating a Diverse Reading Collection Sony Cdx Gt23w Manual
 10. Overcoming Reading Challenges
 - Dealing with Digital Eye Strain
 - Minimizing Distractions
 - Managing Screen Time
 11. Cultivating a Reading Routine Sony Cdx Gt23w Manual
 - Setting Reading Goals Sony Cdx Gt23w Manual
 - Carving Out Dedicated Reading Time
 12. Sourcing Reliable Information of Sony Cdx Gt23w Manual
 - Fact-Checking eBook Content of Sony Cdx Gt23w Manual
 - Distinguishing Credible Sources
 13. Promoting Lifelong Learning
 - Utilizing eBooks for Skill Development
 - Exploring Educational eBooks
 14. Embracing eBook Trends
 - Integration of Multimedia Elements
 - Interactive and Gamified eBooks

Sony Cdx Gt23w Manual Introduction

Sony Cdx Gt23w Manual Offers over 60,000 free eBooks, including many classics that are in the public domain. Open Library: Provides access to over 1 million free eBooks, including classic literature and contemporary works. Sony Cdx Gt23w Manual Offers a vast collection of books, some of which are available for free as PDF downloads, particularly older books in the public domain. Sony Cdx Gt23w Manual : This website hosts a vast collection of scientific articles, books, and textbooks. While it operates in a legal gray area due to copyright issues, its a popular resource for finding various publications. Internet Archive for Sony Cdx Gt23w Manual : Has an extensive collection of digital content, including books, articles, videos, and more. It has a massive library of free downloadable books. Free-eBooks Sony Cdx Gt23w Manual Offers a diverse range of free eBooks across various genres. Sony Cdx Gt23w Manual Focuses mainly on educational books, textbooks, and business books. It offers free PDF downloads for educational purposes. Sony Cdx Gt23w Manual Provides a large selection of free eBooks in different genres, which are available for download in various formats, including PDF. Finding specific Sony Cdx Gt23w Manual, especially related to Sony Cdx Gt23w Manual, might be challenging as theyre often artistic creations rather than practical blueprints. However, you can explore the following steps to search for or create your own Online Searches: Look for websites, forums, or blogs dedicated to Sony Cdx Gt23w Manual, Sometimes enthusiasts share their designs or concepts in PDF format. Books and Magazines Some Sony Cdx Gt23w Manual books or magazines might include. Look for these in online stores or libraries. Remember that while Sony Cdx Gt23w Manual, sharing copyrighted material without permission is not legal. Always ensure youre either creating your own or obtaining them from legitimate sources that allow sharing and downloading. Library Check if your local library offers eBook lending services. Many libraries have digital catalogs where you can borrow Sony Cdx Gt23w Manual eBooks for free, including popular titles. Online Retailers: Websites like Amazon, Google Books, or Apple Books often sell eBooks. Sometimes, authors or publishers offer promotions or free periods for certain books. Authors Website Occasionally, authors provide excerpts or short stories for free on their websites. While this might not be the Sony Cdx Gt23w Manual full book , it can give you a taste of the authors writing style. Subscription Services Platforms like Kindle Unlimited or Scribd offer subscription-based access to a wide range of Sony Cdx Gt23w Manual eBooks, including some popular titles.

FAQs About Sony Cdx Gt23w Manual Books

1. Where can I buy Sony Cdx Gt23w Manual books? Bookstores: Physical bookstores like Barnes & Noble, Waterstones, and independent local stores. Online Retailers: Amazon, Book Depository, and various online bookstores offer a wide

-
- range of books in physical and digital formats.
2. What are the different book formats available? Hardcover: Sturdy and durable, usually more expensive. Paperback: Cheaper, lighter, and more portable than hardcovers. E-books: Digital books available for e-readers like Kindle or software like Apple Books, Kindle, and Google Play Books.
 3. How do I choose a Sony Cdx Gt23w Manual book to read? Genres: Consider the genre you enjoy (fiction, non-fiction, mystery, sci-fi, etc.). Recommendations: Ask friends, join book clubs, or explore online reviews and recommendations. Author: If you like a particular author, you might enjoy more of their work.
 4. How do I take care of Sony Cdx Gt23w Manual books? Storage: Keep them away from direct sunlight and in a dry environment. Handling: Avoid folding pages, use bookmarks, and handle them with clean hands. Cleaning: Gently dust the covers and pages occasionally.
 5. Can I borrow books without buying them? Public Libraries: Local libraries offer a wide range of books for borrowing. Book Swaps: Community book exchanges or online platforms where people exchange books.
 6. How can I track my reading progress or manage my book collection? Book Tracking Apps: Goodreads, LibraryThing, and Book Catalogue are popular apps for tracking your reading progress and managing book collections. Spreadsheets: You can create your own spreadsheet to track books read, ratings, and other details.
 7. What are Sony Cdx Gt23w Manual audiobooks, and where can I find them? Audiobooks: Audio recordings of books, perfect for listening while commuting or multitasking. Platforms: Audible, LibriVox, and Google Play Books offer a wide selection of audiobooks.
 8. How do I support authors or the book industry? Buy Books: Purchase books from authors or independent bookstores. Reviews: Leave reviews on platforms like Goodreads or Amazon. Promotion: Share your favorite books on social media or recommend them to friends.
 9. Are there book clubs or reading communities I can join? Local Clubs: Check for local book clubs in libraries or community centers. Online Communities: Platforms like Goodreads have virtual book clubs and discussion groups.
 10. Can I read Sony Cdx Gt23w Manual books for free? Public Domain Books: Many classic books are available for free as they're in the public domain. Free E-books: Some websites offer free e-books legally, like Project Gutenberg or Open Library.

Find Sony Cdx Gt23w Manual :

[somewhere over the rainbow notes piano](#)

solutions of fundamentals of physics 8th edition

solving quadratics by factoring punchline worksheets

some way home a memoir in a myth

solving equations and inequalities odyssey

sony bdp bx58 user manual

sonicwall nsa 24manual

sony ae1c service manual

solving algebraically precalculus hs mathematics unit 05 lesson 01

solutions manual organic chemistry carey 8th edition

sony a300 owners manual

solutions power electronics study guide

sony aquos quattron manual

~~solving square root equations worksheet key tesccc~~

~~solving trig inequalities~~

Sony Cdx Gt23w Manual :

all shook up script pages 1 50 flip pdf download - Jan 27 2022

web this is the transcript for all shook up murray hey everyone it s a special time now time for the mandarin wiggles

all shook up script pages 1 50 flip pdf download - Apr 29 2022

web feb 5 2016 `iframe src vdocuments net embed v1 all shook up script frameborder 0 marginwidth 0 marginheight 0 scrolling no style border 1px solid`

all shook up student script act ii pdf pdf - Oct 04 2022

web feb 7 2019 check pages 1 50 of all shook up script in the flip pdf versioning all shook upward script was release by stuart mcquade on 2019 02 07 find

all shook up musical plot characters stageagent - Dec 06 2022

web tl act two scene i ent racte the abandoned fairgrounds the middle of the night lights up on chad all shook up chad a well a bless my

all shook up theatrical rights worldwide all shook up - Apr 10 2023

web this all shook go mixes elvis dual endeavors as part parody part tribute and director max moline music director trent teske choreographer robyn messerly and all involved

all shook up school edition theatrical rights worldwide - Nov 05 2022

web feb 7 2019 check print 1 50 of all shook up script by the flick pdf version all shook up script was published by stuart mcquade on 2019 02 07 find more

[all shook up script pages 151 161 flip pdf download](#) - Feb 08 2023

web may 7 2009 perform an alternate version of all shook up in which the town is divided not along racial lines but along class lines of course all efforts should be made to

all shook up script pages 1 50 flip pdf download - Aug 02 2022

web auto flip share first

all shook up script doc document - Jul 13 2023

web feb 5 2016 all shook up chada well a bless my soul what s wrong with me i m itching like a cat on a fuzzy tree my friends say i m actin wild as a bug i m in love uh i m all

all shook up theatrical rights worldwide - Mar 09 2023

web feb 7 2019 check pages 151 161 of all shook up script in the flip pdf version all shook up script was published by stuart mcquade on 2019 02 07 find more

all shook up transcript wigglopedia fandom - Nov 24 2021

web feb 5 2016 all shook up a new musical comedy inspired by and featuring the songs of elvis presley book by joe dipietro goodspeedfinal draft

all shook up hilton head christian academy drama - Jul 01 2022

web feb 7 2019 check pages 1 50 of all shook up script in to flipping pdf output get shook up script was published by stuart mcquade on 2019 02 07 find more

[all shook up script pages 1 50 flip pdf download](#) - Sep 03 2022

web all shook up script download file detailed character information time a 24 hour period during the summer of 1955 place a small you never heard of it town somewhere in the

[all shook up episode transcript idea wiki fandom](#) - Oct 24 2021

all shook up script vdocuments net - Feb 25 2022

web feb 7 2019 check view 1 50 of sum shook up copy inside the flick pdf version any shook going script was published by stuart mcquade on 2019 02 07 find more

all shook up script flipbook by stuart mcquade - Jun 12 2023

web feb 7 2019 looking for all shook up script read all shook up script from stuart mcquade here check all flipbooks from

stuart mcquade stuart mcquade s all

[all shook up script pages 1 50 flip pdf download](#) - Aug 14 2023

web feb 7 2019 check pages 1 50 of all shook up script in the flip pdf version all shook up script was published by stuart mcquade on 2019 02 07 find more

inspired by and featuring the songs of elvis presley book by - Jan 07 2023

web all shook up school edition has been adapted from the original Broadway production the school edition has been carefully edited with additional director s notes throughout

all shook up script bankstown theatre company - May 11 2023

web eisenhower whatever how can you all stand it i d just up and leave natalie oh i couldn t chad why not natalie well there s my dad and where would i go chad

all shook up script pages 1 50 flip pdf download - Dec 26 2021

web transcripts all shook up episode transcript all shook up episode sign in to edit view history talk 0 categories categories sing the series sing sing 2016

all shook up script doc document - Sep 22 2021

scripts containing the term all shook up - Mar 29 2022

web feb 7 2019 check pages 1 50 of all shook upside script in the flip pdf version all shook raise scripts was published by matt mcquade on 2019 02 07 find

[all shook up script fliphtml5](#) - May 31 2022

web looking for the scripts matching all shook up find all about all shook up on scripts com the web s largest and most comprehensive scripts resource

redemptoris mater 25 de marzo de 1987 juan pablo ii vatican - Sep 14 2023

web virgen maría en la vida de la iglesia peregrina venerables hermanos amadísimos hijos e hijas salud y bendición apostólica introducción 1

emiliano jimenez hernandez maria madre del redentor - Oct 03 2022

web jul 13 2022 emiliano jimenez hernandez maria madre del redentor bookreader item preview tratado de mariología addeddate 2022 07 13 08 28 14 identifier emiliano jimenez hernandez maria madre del redentor identifier ark ark 13960

s2xjx5mq1dn ocr tesseract 5 1 0 1 ge935 ocr detected lang es

maría madre del redentor ediciones universidad de navarra - Apr 09 2023

web oct 27 2009 maría madre del redentor juan luis bastero de eleizalde la vinculación de maría con el misterio de cristo ha

conducido a la iglesia a explicar cada vez mejor que la virgen tiene un papel singular y ocupa un lugar especial en [mary mother of the redeemer parish roman catholic parish](#) - Mar 28 2022

web mary mother of the redeemer parish roman catholic parish mary mother of the redeemer parish italian english spanish mass times weekend masses 4 00 pm saturday english 6 00 pm saturday español 9 30 am sunday italiano 11 00 am sunday english 1 00 pm sunday español 6 00 pm sunday español weekday

maria madre del redentor mariologia - Jun 11 2023

web en cristo salvador tú tuviste compasión de los necesitados e imploraste en su nombre a tu hijo enséñanos a no tener miedo de hablar del mundo a Jesús y de Jesús al mundo tú estuviste al pie de la cruz cuando tu hijo exhaló su último suspiro acompáñanos mientras tratamos de estar unidos en el espíritu y en el servicio a los que sufren

letra de madre del redentor coro parroquial de esteiro - May 10 2023

web madre del redentor virgen maría unida siempre a cristo y a la iglesia 1 todo un dios omnipotente es un niño en tu regazo y el amor más infinito busca un poco de tu amor 2 surco abierto son tus brazos una tarde en el calvario la semilla es cristo muerto tú nos das la salvación 3 eres madre de los hombres de la iglesia peregrina

maría madre del redentor juan l bastero juan luis bastero de - Jan 06 2023

web maría madre del redentor juan l bastero juan luis bastero de eleizalde universidad de navarra ediciones 2004 religion 336 pages references to this book quién hallará mujer fuerte pedro calderón de la barca limited preview 2001

introducción - Nov 04 2022

web maría guardaba estas cosas en su corazón el cristiano madre de cristo 11 junto a la cruz de Jesús estaba su madre maría cordera sin mancha mujer he ahí a tu hijo he ahí a tu madre madre de los creyentes el discípulo la acogió consigo 12 perseveraban en la oración con maría 12 la madre de Jesús maría

[maría madre del redentor ebooks católicos](#) - Sep 02 2022

web jul 14 2020 la madre del redentor tiene un lugar preciso en el plan de la salvación porque al llegar la plenitud de los tiempos envió dios a su hijo nacido de mujer nacido bajo la ley para rescatar a los que se hallaban bajo

25 de octubre de 1995 el rostro de la madre del redentor vatican - Jul 12 2023

web oct 25 1995 1 el concilio al afirmar que a la virgen maría se la reconoce y se la venera como verdadera madre de dios y del redentor lumen gentium 53 señala el vínculo que existe entre la maternidad de maría y la redención

madre del redentor aci prensa - Oct 15 2023

web madre del redentor virgen fecunda puerta del cielo siempre abierta estrella del mar ven a librar al pueblo que tropieza y se quiere levantar

par maria madre del redentor mariamadredelredentor - Feb 24 2022

web 11k followers 185 following 595 posts see instagram photos and videos from par maria madre del redentor mariamadredelredentor

maria madre del redentor 3ª ed casa del libro latam - Feb 07 2023

web sinopsis de maria madre del redentor 3ª ed la vinculación de maría con el misterio de cristo ha conducido a la iglesia a explicar cada vez mejor que la virgen tiene un papel singular y ocupa un lugar especial en la obra redentora de su hijo y en la iglesia este papel de servicio materno al redentor distingue a maría y constituye su

letra de madre del redentor d garcia net v pc - Apr 28 2022

web recibe santa maría el saludo de gabriel 2 y apiÁdate de nosotros peregrinos de la fe 2 madre del redentor virgen fecunda eres puerta de dios faro en el mar ven a librar al pueblo que tropieza y quiere caminar 2 estribillo virgen llena de dios madre admirable que engendraste en tu seno al creador tú

madre del redentor virgen misionera perpetuo socorro letra y - Jun 30 2022

web sep 27 2022 descarga la letra y acordes en pdf drive google com uc id 1ltrgnybu67gg4mn4myl1qpf6ll5pzoh export download authuser 0canción madre del redentor vi

pdf maría madre del redentor by bastero de eleizald perlego - Mar 08 2023

web about this book la vinculación de maría con el misterio de cristo ha conducido a la iglesia a explicar cada vez mejor que la virgen tiene un papel singular y ocupa un lugar especial en la obra redentora de su hijo y en la iglesia este papel de servicio materno al redentor distingue a maría y constituye su vocación excellent 2 075

maria madre del redentor y madre de la iglesia - May 30 2022

web sinopsis de maria madre del redentor y madre de la iglesia 2ª ed para comprender el entramado más hondo de este libro sobre la virgen la razón más perentoria para el autor habrá que leerlo a la luz del último capítulo el culto a maría donde la doctrina se hace celebración y vida porque todo este estudio pretende dar respuesta a

maría madre del redentor vidacatolica org - Aug 13 2023

web el presente libro intenta ser un tratado sistemático sobre la persona de maría madre de jesús de nazaret dios y hombre verdadero y redentor de la humanidad pecadora es lógico por ello que después de unos capítulos introductorios en los que se accede a este tratado desde un punto de vista conceptual e histórico caps i y ii se

maría madre del redentor pdf descargar libre - Aug 01 2022

web teresa valdéz cárdenas hace 6 años vistas 507 transcripción 1 1 emiliano jimÉnez hernández maría madre del redentor versión electrónica preparada por h guerrero al servicio de la nueva evangelización

corazón de maría madre del redentor enciclopedia católica - Dec 05 2022

web corazón de maría madre del redentor para la iglesia el corazón de maría es ante todo el corazón de la madre de su

salvador el origen y el co principio en dependencia del espíritu santo del corazón de Jesús hay teólogos que además son místicos que rivalizan a porfía para afirmarlo escuchemos a san Francisco de Borja

how to judge a beauty pageant bellatory - Apr 17 2023

web apr 4 2012 holle abee updated may 16 2023 6 17 pm edt beauty pageant judges must take their role seriously photo by gift habeshaw on unsplash being a good pageant judge i ve had a lot of experience with pageants i ve served as a judge and a coordinator i ve been a pageant mom too

how do judges score beauty pageants pageant planet - Jul 20 2023

web say there are three judges each scoring on a scale of 1 10 if each judge gives at least one contestant a score of 10 then the max points for any one area of competition is 30 that is pretty easy and simple math now let s say that between those three judges one of the judges only scores girls between a 4 and a 6

impact judging criteria how to judge a beauty pageant - May 18 2023

web eventime wear 15 contestant wishes be judged on overall first impression senses von believe personality and stage presence walk posture carriage or grace sensing of type and appropriateness of evening wear beauty sense of attractiveness the charm on stage interview 20 you will will asked one on stage question 30 seconds

ebook sample criteria for judging beauty contest - Mar 04 2022

web sample criteria for judging beauty contest auctioning public assets feb 12 2020 in many countries all over the world governments are privatising firms that were previously under public control this is happening for example in

sample of criteria for judging 2023 lubbil - Aug 09 2022

web nov 7 2023 home sample of criteria for judging 2023 room decoration 70 points 1 please visit each poster during assigned sessions and spend a few minutes with them judge in a fashion contest visihow vocal 50 vocal technique tone quality breath support intonation diction and articulation rhythm tempo voice in

how to create criteria for judging a contest awards judging - Sep 22 2023

web jan 8 2020 now that we have talked about what a contest is why judging criteria is important the different kinds of contests that you can run and various criteria they should be judged on let us have a look at what should be the judging criteria and sponsor s goals while running a contest

impact judging criteria sample beauty pageant criteria for judging - Sep 10 2022

web pageants have now evolved to include inner beauty at choosing covering judge some examples of choose to select beauty queens that are unique to no talent is allowed to repeat during the competition same music song cannot be used by separate contestants

criteria for judging pageant night pdf scribd - Apr 05 2022

web criteria for judging pageant night 1 best in production number poise and bearing 30 mastery 30 self introduction 30 audience impact 10 2 best in sports attire figure 30 sports identity 20 poise and bearing

criteria for judging for beauty pageant full pdf esource svb - Jul 08 2022

web is the judging criteria for beauty contests sample beauty pageant judging criteria 1 beauty of face self intro 50 2 figure swimsuit 30 3 poise and personality gown 10 4 intelligence question answer pageant judging criteria and scoring systems gau the criteria for judging beauty is not absolute and varies from

binibining pilipinas criteria for judging sashes scripts judging - Oct 23 2023

web jan 31 2021 current let s discuss the current bb pilipinas criteria and how the candidates are judged in the pageant instructions to court a beauty pageant the criteria for judging binibining pilipinas beauty of face 50 beauty concerning figure 30 poise personality 10 intelligence 10

44 sample judging score sheet templates in pdf ms word - Aug 21 2023

web judging criteria refer to the pointers or tailored elements that a set of judges will evaluate from a contestant list and they are vital to ensure the best and most deserving contestant wins in a competition

sample criteria for judging beauty contest - Dec 13 2022

web sample criteria for judging beauty contest sample criteria for judging beauty contest general rules and criteria search for mr amp ms csa b 2010 sample beauty pageant criteria for judging sheet mr amp ms phismets guidelines and mechanics emcee script for the mr amp ms mythical icon 2016 what are the criteria

criteria for judging for beauty pageant esource svb - Oct 11 2022

web criteria for judging for beauty pageant 1 criteria for judging for beauty pageant multiple choice questions how to create criteria for judging a contest awards criteria for judging for beauty pageant binibining pilipinas criteria for judging sashes judging scoring distinct impressions makeup contest criteria

sample criteria for judging pdf scribd - Mar 16 2023

web sample criteria for judging free download as word doc doc docx pdf file pdf text file txt or read online for free sample criteria for judging a beauty contest

criteria for judging beauty pageant sample read only speuk spe - May 06 2022

web criteria for judging beauty pageant sample 2014 10 28 1 13 criteria for judging beauty pageant sample criteria for judging beauty pageant sample read only a high school girl is a candidate in the town s annual beauty contest but the pressure and general unpleasantness behind the scenes make her reluctant to continue through the final

criteria for judging pre st dominic college of asia facebook - Jun 07 2022

web criteria for judging pre pageant activities 1 best in uniform 10 a beauty and poise 60 b presentation neatness 40 total

100 2 talent 10 a execution skill 50 b creativity and originality 30 c stage presence over all performance 20 total 100 3
question and answer advocacy speech 10 a

how to organise a beauty contest awards judging software contest - Jun 19 2023

web oct 12 2018 last but not least determine the criteria for judging the beauty contest and describe the process of evaluation to both the judges and participants your plan should involve a detailed voting system a set of criteria a mechanism for votes collection and verbal critique planning

how to judge a contest guide shortcuts and examples - Jan 14 2023

web the judging criteria contests also have an element of competition that requires the sponsor or agency to set clear contest judging criteria so participants know how their entries will be judged this criteria will also tell the judging body what to look for and how to assign value or rank entries

resource links judging criteria how to judge a beauty pageant - Nov 12 2022

web where sack i find sample interview questions to practice there are countless reference on line to find sample interview questions here are a few to get you started fyi most wired sources still refer to the competitions as pageant even though miss america refers to itself as a competition pageant planet top 25 questions asked by judiciary

what is the judging criteria for beauty contests reference com - Feb 15 2023

web apr 7 2020 in beauty contests the judging criteria includes evaluation of several factors grace personality beauty and intelligence judging criteria evaluates and scores contestants based on overall performance during beauty pageants however pageants break down into three separate categories which are interview swimsuit and evening