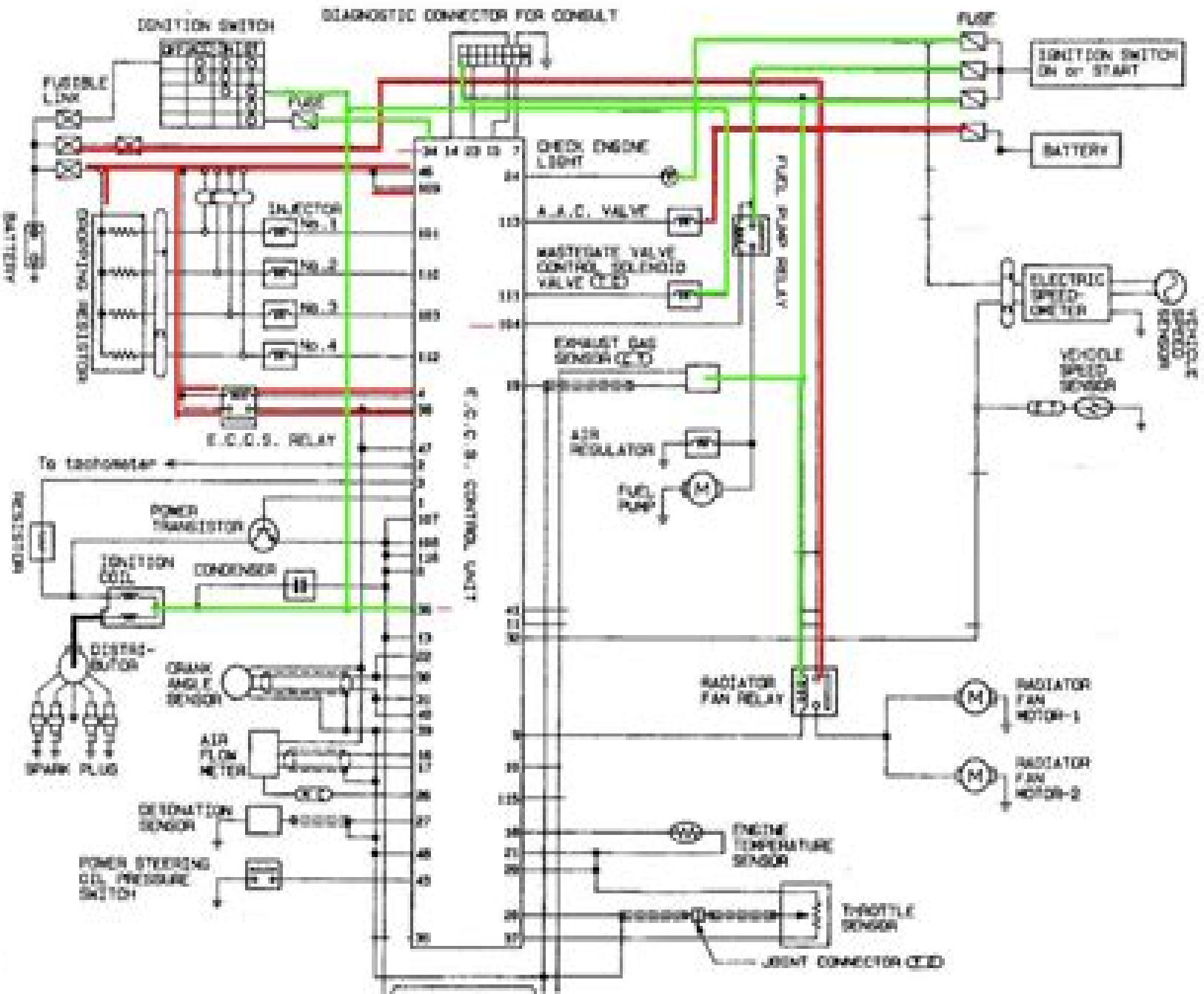


ENGINE AND EMISSION CONTROL OVERALL SYSTEM

Circuit Diagram



Sr20det S13 Eccs Diagram

Yicheng Fang



Sr20det S13 Eccs Diagram:

Ignite the flame of optimism with Crafted by is motivational masterpiece, **Sr20det S13 Eccs Diagram** . In a downloadable PDF format (Download in PDF: *), this ebook is a beacon of encouragement. Download now and let the words propel you towards a brighter, more motivated tomorrow.

<https://movement.livewellcolorado.org/files/publication/HomePages/suzuki%20gsxr%20owners%20manual.pdf>

Table of Contents Sr20det S13 Eccs Diagram

1. Understanding the eBook Sr20det S13 Eccs Diagram
 - The Rise of Digital Reading Sr20det S13 Eccs Diagram
 - Advantages of eBooks Over Traditional Books
2. Identifying Sr20det S13 Eccs Diagram
 - Exploring Different Genres
 - Considering Fiction vs. Non-Fiction
 - Determining Your Reading Goals
3. Choosing the Right eBook Platform
 - Popular eBook Platforms
 - Features to Look for in an Sr20det S13 Eccs Diagram
 - User-Friendly Interface
4. Exploring eBook Recommendations from Sr20det S13 Eccs Diagram
 - Personalized Recommendations
 - Sr20det S13 Eccs Diagram User Reviews and Ratings
 - Sr20det S13 Eccs Diagram and Bestseller Lists
5. Accessing Sr20det S13 Eccs Diagram Free and Paid eBooks
 - Sr20det S13 Eccs Diagram Public Domain eBooks
 - Sr20det S13 Eccs Diagram eBook Subscription Services
 - Sr20det S13 Eccs Diagram Budget-Friendly Options
6. Navigating Sr20det S13 Eccs Diagram eBook Formats

- ePub, PDF, MOBI, and More
 - Sr20det S13 Eccs Diagram Compatibility with Devices
 - Sr20det S13 Eccs Diagram Enhanced eBook Features
7. Enhancing Your Reading Experience
 - Adjustable Fonts and Text Sizes of Sr20det S13 Eccs Diagram
 - Highlighting and Note-Taking Sr20det S13 Eccs Diagram
 - Interactive Elements Sr20det S13 Eccs Diagram
 8. Staying Engaged with Sr20det S13 Eccs Diagram
 - Joining Online Reading Communities
 - Participating in Virtual Book Clubs
 - Following Authors and Publishers Sr20det S13 Eccs Diagram
 9. Balancing eBooks and Physical Books Sr20det S13 Eccs Diagram
 - Benefits of a Digital Library
 - Creating a Diverse Reading Collection Sr20det S13 Eccs Diagram
 10. Overcoming Reading Challenges
 - Dealing with Digital Eye Strain
 - Minimizing Distractions
 - Managing Screen Time
 11. Cultivating a Reading Routine Sr20det S13 Eccs Diagram
 - Setting Reading Goals Sr20det S13 Eccs Diagram
 - Carving Out Dedicated Reading Time
 12. Sourcing Reliable Information of Sr20det S13 Eccs Diagram
 - Fact-Checking eBook Content of Sr20det S13 Eccs Diagram
 - Distinguishing Credible Sources
 13. Promoting Lifelong Learning
 - Utilizing eBooks for Skill Development
 - Exploring Educational eBooks
 14. Embracing eBook Trends
 - Integration of Multimedia Elements
 - Interactive and Gamified eBooks

Sr20det S13 Eccs Diagram Introduction

Free PDF Books and Manuals for Download: Unlocking Knowledge at Your Fingertips In today's fast-paced digital age, obtaining valuable knowledge has become easier than ever. Thanks to the internet, a vast array of books and manuals are now available for free download in PDF format. Whether you are a student, professional, or simply an avid reader, this treasure trove of downloadable resources offers a wealth of information, conveniently accessible anytime, anywhere. The advent of online libraries and platforms dedicated to sharing knowledge has revolutionized the way we consume information. No longer confined to physical libraries or bookstores, readers can now access an extensive collection of digital books and manuals with just a few clicks. These resources, available in PDF, Microsoft Word, and PowerPoint formats, cater to a wide range of interests, including literature, technology, science, history, and much more. One notable platform where you can explore and download free Sr20det S13 Eccs Diagram PDF books and manuals is the internet's largest free library. Hosted online, this catalog compiles a vast assortment of documents, making it a veritable goldmine of knowledge. With its easy-to-use website interface and customizable PDF generator, this platform offers a user-friendly experience, allowing individuals to effortlessly navigate and access the information they seek. The availability of free PDF books and manuals on this platform demonstrates its commitment to democratizing education and empowering individuals with the tools needed to succeed in their chosen fields. It allows anyone, regardless of their background or financial limitations, to expand their horizons and gain insights from experts in various disciplines. One of the most significant advantages of downloading PDF books and manuals lies in their portability. Unlike physical copies, digital books can be stored and carried on a single device, such as a tablet or smartphone, saving valuable space and weight. This convenience makes it possible for readers to have their entire library at their fingertips, whether they are commuting, traveling, or simply enjoying a lazy afternoon at home. Additionally, digital files are easily searchable, enabling readers to locate specific information within seconds. With a few keystrokes, users can search for keywords, topics, or phrases, making research and finding relevant information a breeze. This efficiency saves time and effort, streamlining the learning process and allowing individuals to focus on extracting the information they need. Furthermore, the availability of free PDF books and manuals fosters a culture of continuous learning. By removing financial barriers, more people can access educational resources and pursue lifelong learning, contributing to personal growth and professional development. This democratization of knowledge promotes intellectual curiosity and empowers individuals to become lifelong learners, promoting progress and innovation in various fields. It is worth noting that while accessing free Sr20det S13 Eccs Diagram PDF books and manuals is convenient and cost-effective, it is vital to respect copyright laws and intellectual property rights. Platforms offering free downloads often operate within legal boundaries, ensuring that the materials they provide are either in the public domain or authorized for distribution. By adhering to copyright laws, users can enjoy the benefits of free access to knowledge while supporting the authors and publishers who

make these resources available. In conclusion, the availability of Sr20det S13 Eccs Diagram free PDF books and manuals for download has revolutionized the way we access and consume knowledge. With just a few clicks, individuals can explore a vast collection of resources across different disciplines, all free of charge. This accessibility empowers individuals to become lifelong learners, contributing to personal growth, professional development, and the advancement of society as a whole. So why not unlock a world of knowledge today? Start exploring the vast sea of free PDF books and manuals waiting to be discovered right at your fingertips.

FAQs About Sr20det S13 Eccs Diagram Books

What is a Sr20det S13 Eccs Diagram PDF? A PDF (Portable Document Format) is a file format developed by Adobe that preserves the layout and formatting of a document, regardless of the software, hardware, or operating system used to view or print it. **How do I create a Sr20det S13 Eccs Diagram PDF?** There are several ways to create a PDF: Use software like Adobe Acrobat, Microsoft Word, or Google Docs, which often have built-in PDF creation tools. Print to PDF: Many applications and operating systems have a "Print to PDF" option that allows you to save a document as a PDF file instead of printing it on paper. Online converters: There are various online tools that can convert different file types to PDF. **How do I edit a Sr20det S13 Eccs Diagram PDF?** Editing a PDF can be done with software like Adobe Acrobat, which allows direct editing of text, images, and other elements within the PDF. Some free tools, like PDFescape or Smallpdf, also offer basic editing capabilities. **How do I convert a Sr20det S13 Eccs Diagram PDF to another file format?** There are multiple ways to convert a PDF to another format: Use online converters like Smallpdf, Zamzar, or Adobe Acrobats export feature to convert PDFs to formats like Word, Excel, JPEG, etc. Software like Adobe Acrobat, Microsoft Word, or other PDF editors may have options to export or save PDFs in different formats. **How do I password-protect a Sr20det S13 Eccs Diagram PDF?** Most PDF editing software allows you to add password protection. In Adobe Acrobat, for instance, you can go to "File" -> "Properties" -> "Security" to set a password to restrict access or editing capabilities. Are there any free alternatives to Adobe Acrobat for working with PDFs? Yes, there are many free alternatives for working with PDFs, such as: LibreOffice: Offers PDF editing features. PDFsam: Allows splitting, merging, and editing PDFs. Foxit Reader: Provides basic PDF viewing and editing capabilities. How do I compress a PDF file? You can use online tools like Smallpdf, ILovePDF, or desktop software like Adobe Acrobat to compress PDF files without significant quality loss. Compression reduces the file size, making it easier to share and download. Can I fill out forms in a PDF file? Yes, most PDF viewers/editors like Adobe Acrobat, Preview (on Mac), or various online tools allow you to fill out forms in PDF files by selecting text fields and entering information. Are there any restrictions when working with PDFs? Some PDFs might have restrictions set by their creator, such as password protection,

editing restrictions, or print restrictions. Breaking these restrictions might require specific software or tools, which may or may not be legal depending on the circumstances and local laws.

Find Sr20det S13 Eccs Diagram :

[suzuki gsxr owners manual](#)

[suzuki gs850 gs850g 1979 1983 service repair workshop manual](#)

[suzuki gsxr600 2006 factory service repair manual](#)

[suzuki gsx1300r hayabusa digital workshop repair manual 2008 onwards](#)

suzuki lt230 cdi wiring diagram

suzuki gsxr1300 gsx r1300 1999 2003 service repair manual

[suzuki intruder 750 owners manual](#)

suzuki king quad 700 4x4 service manual

suzuki gsf1200 gsf1200s 2000 2002 full service repair manual

[suzuki gsx1100f digital workshop repair manual 1989 1994](#)

[suzuki gsxr 1000 service manual gsxr1000 repair 2001](#)

[suzuki gz250 2007 2008 2009 factory service repair manual](#)

[suzuki gsxr1100 1986 1988 workshop service repair manual](#)

[suzuki gsxr 1300 r repair manual](#)

suzuki lj80 lj80v 1978 1981 workshop service repair manual

Sr20det S13 Eccs Diagram :

manuel d atelier pour toyota ebay - Mar 19 2022

web manuel d atelier moteur 2h toyota forklier chariot élévateur 254 pages 1980 professionnel 15 75 eur 6 25 eur de frais de livraison a propos d ebay consommation raisonnée actualités ebay communauté la sécurité sur ebay

nouveau manuel de l artificier ou traita c pratiq pdf otto - Sep 24 2022

web may 8 2023 nouveau manuel de l artificier ou traita c pratiq pdf getting the books nouveau manuel de l artificier ou traita c pratiq pdf now is not type of inspiring means you could not lonesome going like ebook stock or library or borrowing from your associates to gate them this is an certainly simple means to specifically get guide by on line

nouveau manuel de l artificier ou traita c pratiq otto henri lorenz - Feb 27 2023

web enjoy now is nouveau manuel de l artificier ou traite c pratiq below Каталогъ Одесской городской публичной библиотеки 1901 manuel d astronomie ou traité élémentaire de cette science m bailly 1830 a history of fireworks alan st hill brock 1949 le constitutionnel 1827 nouveau manuel

nouveau manuel de l artificier ou traite c pratiq copy - Jun 02 2023

web nouveau manuel complet de l artificier du poudrier et du salpêtrier nouveau manuel de l artificier du poudrier et du salpêtrier conenant les elemens de la pyrotechnie civile et militaire ceux de l art du salpêtrier et du poudrier

nouveau manuel de l artificier ou traité pratique pour la - Oct 06 2023

web jun 4 2023 nouveau manuel de l artificier ou traité pratique pour la fabrication des feux de couleurs des torches de bengale et de tous les artifices de joie par a lamarre date de l édition originale 1878le présent ouvrage s inscrit dans une politique de conservation patrimoniale des ouvrages de la littérature française mise en place

nouveau manuel de l artificier ou traite c pratiq 2022 - Jun 21 2022

web nouveau manuel de l artificier du poudrier et du salpêtrier conenant les elemens de la pyrotechnie civile et militaire ceux de l art du salpêtrier et du poudrier nouveau manuel de l artificier ou traite pratique pour la fabrication des feux de couleurs

nouveau manuel de l artificier ou traite c pratiq full pdf - Jul 03 2023

web nouveau manuel de l artificier ou traite pratique pour la fabrication des feux de couleurs des torches de bengale et de tous les artifices de joie par a lamarre date de l edition originale 1878 ce livre est la reproduction fidele d une oeuvre publiee avant 1920 et fait partie d une collection de

nouveau manuel de l artificier ou traité pratique pour la - Sep 05 2023

web nouveau manuel de l artificier ou traité pratique pour la fabrication des feux de couleurs des torches de bengale et de tous les artifices de joie par a lamarre 1878 livre

pdf nouveau manuel de l artificier ou traite c pratiq - May 01 2023

web nouveau manuel de l artificier ou traite c pratiq london and westminster review aug 02 2020 creationism and its critics in antiquity oct 04 2020 the world is configured in ways that seem systematically hospitable to life forms especially the human race is this the outcome of divine planning or

nouveau manuel de l artificier ou traite c pratiq 2022 - Dec 28 2022

web nouveau manuel de l artificier du poudrier et du salpêtrier conenant les elemens de la pyrotechnie civile et militaire ceux de l art du salpêtrier et du poudrier actes du quatrième symposium international d art pyrotechnique du 9 au 13 octobre 1998 halifax nouvelle Écosse canada

nouveau manuel de l artificier ou traite c pratiq full pdf ai - Aug 04 2023

web nouveau manuel de l artificier du poudrier et du salpêtrier conenant les elemens de la pyrotechnie civile et militaire ceux

de l art du salpêtrier et du poudrier st pauls

[nouveau manuel de l artificier ou traita c pratiq pdf uniport edu](#) - Nov 26 2022

web apr 29 2023 nouveau manuel de l artificier ou traita c pratiq 1 4 downloaded from uniport edu ng on april 29 2023 by guest nouveau manuel de l artificier ou traita c pratiq as recognized adventure as skillfully as experience roughly lesson amusement as capably as union can be gotten by just checking out a books nouveau manuel

[nouveau manuel de l artificier ou traita c pratiq pdf](#) - Aug 24 2022

web to acquire the most less latency period to download any of our books bearing in mind this one merely said the nouveau manuel de l artificier ou traita c pratiq is universally compatible in the manner of any devices to read nouveau manuel de l artificier ou traita c pratiq downloaded from moodle morgantinl com by guest franklin talan

nouveau manuel de l artificier ou traita c pratiq - Mar 31 2023

web jan 18 2023 4730486 nouveau manuel de l artificier ou traita c pratiq 1 4 downloaded from robbinsmanuscripts berkeley edu on by guest nouveau manuel de l artificier ou traita c pratiq thank you very much for reading nouveau manuel de l artificier ou traita c pratiq as you may know people have look numerous times for

nouveau manuel de l artificier ou traita c pratiq copy - Apr 19 2022

web nouveau manuel de l histoire de la grèce depuis les premiers siècles jusqu a l établissement de la domination romaine par m matter jacques matter 1839 nouveau manuel complet d escrime ou traité de l art de faire des armes l j lafaugère 1837 nouveau manuel des écoles primaires moyennes et normales ou guide complet des

nouveau manuel de l artificier ou traita c pratiq jacques - Jan 29 2023

web bibliographie de la france formerly de l empire français ou journal général de l imprimerie et de la librairie 2e sér tom 1 nouv with chronique and feuilleton commercial 3 pt imperf 1878 nouveau manuel de l histoire de la grèce depuis les premiers siècles jusqu a l établissement de la domination romaine par m matter

nouveau manuel de l artificier ou traita c pratiq otto henri - Jul 23 2022

web may 11 2023 our books once this one merely said the nouveau manuel de l artificier ou traita c pratiq is universally compatible as soon as any devices to read nouveau manuel de sténographie ou art de suivre la parole en écrivant par hyp prévost hippolyte prévost 1834 bibliographie de la france ou journal général de l imprimerie et

manuel d atelier english translation linguee - May 21 2022

web many translated example sentences containing manuel d atelier english french dictionary and search engine for english translations

nouveau manuel de l artificier ou traita c pratiq c boutereau - Oct 26 2022

web if you point toward to download and install the nouveau manuel de l artificier ou traita c pratiq it is no question easy

then past currently we extend the belong to to purchase and make bargains to download and install nouveau manuel de l'artificier ou traita c pratiq thus simple nouveau manuel complet de mythologie n a dubois 1836

nouvel atelier traduction anglaise linguée - Feb 15 2022

web de très nombreux exemples de phrases traduites contenant nouvel atelier dictionnaire anglais français et moteur de recherche de traductions anglaises consulter linguée proposer comme traduction pour nouvel atelier vous fournissons tous les éléments et vous remettons le nouvel atelier clés en main draeger com draeger com

free resources of waec bece past questions or more - May 29 2023

web pdf soft copies of waec bece past questions and answers for 1990 to 2021 you can print them out free download of all 2017 2014 and 2010 batch

bece past questions answers in a4 pdf word print edit - Oct 02 2023

web download past questions and answers passco soft copies of west african examination council s waec bece in pdf and or word format you can easily print out the documents the word versions can be edited to make them suitable for your own purposes

pdf downloads soft copies of bece past questions 1990 2021 - Sep 01 2023

web pdf soft copies of waec bece past questions and answers for 1990 to 2021 you can print them out free download of all 2017 2014 and 2010 files

bece junior waec past question home economics updated - Nov 22 2022

web bece junior waec past question home economics updated free download as pdf file pdf text file txt or read online for free

bece basic science past questions and answers pdf - Oct 22 2022

web feb 17 2020 how to get bece past questions on basic science how to get basic education certificate examination past questions and answer for basic science or any other bece subjects below are the steps to follow to download the updated copy of the past jss3 promotional examination questions on basic science make a call

bece junior waec civic education 2013 paper i 54 testdriller - Jan 25 2023

web civic education 2013 paper i 54 bece junior waec in the first republic nigeria practised system of government a federal b monarchy c oligarchy d parliamentary e presidential answer d to see detailed solution to this question and thousands of other questions offline download testdriller bece

bece junior waec past questions and answers pdf 2023 - Mar 15 2022

web oct 1 2023 bece junior waec questions and answers 2023 bece past questions and answers are a valuable resource for students preparing for the junior waec examination they can help you to understand the format of the exam and the questions that are asked identify your strengths and weaknesses in different subject areas

2013 waeb expo waec english language obj and theory answers - Feb 11 2022

web waec 2013 english essay answers do answer number 84 and 85 yourself 8a the first stage in the publication book deals with idea conception note that the very next stage focuses on the search for academics which also translates the ideas into the script the manuscript is also carefully screened to help determine if it is good for publication

bece 2013 english language past question 1 2 study - Jul 31 2023

web sep 6 2021 if you are preparing to take the bece exams for the 2021 academic year then you can find below the bece 2013 english language past questions pdf 1 2 why do we give out the past question we always try our best to get you the questions from the previous year s examination so you can use them as references when studying

download waec past questions and answers in pdf - Dec 24 2022

web jul 9 2018 here is a list of waec past questions and answers in pdf format for you to download and prepare for your waec wassce may june and november december gce the list starts with only a few pdfs containing waec past questions and answers as we only have a handful at the moment

2013 waec english language theory nbsp read the following - Jun 17 2022

web read the following passage carefully and answer the questions on it it was mr ogun that wooed me for school that was decades ago i had resisted vehemently i even ran away to hibernate with my maternal grandmother i had told granny that i *junior waec bece past question and answers on agricultural science* - May 17 2022

web q1 methods of preserving fish include the following except a boiling b drying c smoking d salting answer a q 2 ruminants fed on dried grasses are given feed supplements to a increase water intake b provide bulk to feed c reduce microbial activity d provide deficient nutrients answer d q3

the west african examinations council committed to excellence - Apr 15 2022

web october 6 2023 awards distinction awards ceremony confirms the reliability of council s examinations hno october 6 2023 examinations press briefing on the conduct of 2023 examinations bece wassce general and advanced business certificate examinations october 6

bece agricultural science past questions and answers junior waec - Sep 20 2022

web feb 11 2020 how to get bece agric past questions and others subjects as well how to get basic education certificate examination past questions and answer for agricultural science or any other bece subjects below are the steps to follow to download your copy of the past jss3 promotional examination questions make a call

waec past questions and answers pdf free download - Feb 23 2023

web aug 14 2021 all the best tags download free waec past questions and answers pdf the past questions and answers for waec are available for all the popular waec subjects including waec past questions and answers on mathematics physic

economics government chemistry biology agriculture etc

junior waec bece questions for all subjects flashlearners - Mar 27 2023

web nov 27 2021 how many questions set in bece subjects using the recent bece past questions as a case study the following are the number of questions to expect in junior waec bece this year mathematics total of 122 questions paper 1 60 obj questions paper 2 60 objective questions paper 3 theory 2 questions english studies paper

bece 2013 mathematics detailed explanation of 2013 bece - Aug 20 2022

web bece sirboachtvbece 2013 mathematics detailed explanation of 2013 bece mathematics past questions bece past questionsmaths

bece 2013 rme paper 1 objectives the thesis - Jun 29 2023

web religious and moral education rme objectives paper 1 1 the omniscience of god portrays him as a all knowing b very gracious c all forgiving d ever present 2 jacob s children went to egypt because a there was a great famine b joseph was a governor c there was good pasture for cattle d people were losing their

bece past questions with answers mickinet systems - Apr 27 2023

web may 30 2022 by michael osei owusu 2 comments listen to this article this is page is for all bece past questions the past questions are for informational purposes only all subjects bece private 2021 all subjects trending scheme of learning for jhs ict 2011 2013 ict 2014 solved ict bece 2017 questions ict bece 2018 questions

bece past questions learners hub - Jul 19 2022

web find below all the waec bece past questions and answers for 2021 november candidates get all the mocks for bece and past questions and answers from the west african examination council waec we provide you with all these free of charge

ecs 1501 gimmenotes - Apr 29 2022

web first semester ecs1501 18 s1 unisa ac za second semester ecs1501 18 s2 unisa ac za you mayalso contact the administrative coordinator at the department

ecs1501 exam questions and solutions 2021 pdf course hero - Aug 02 2022

web economics 1a practice questions answers year 2021 1 1 scarcity exists 1 when things are available only in small quantities 2 when resources are insufficient to

ecs150 project 1 answered kali papers - Dec 26 2021

web get accurate answer for ecs150 project 1 answered from our experts at an affordable price buy custom essay research papers and get it done fast

ecs1501 assessment 10 expected questions and answers for - Jul 01 2022

web may 17 2022 course ecs1501 economics ia ecs1501 institution university of south africa unisa this document is a

compilation of ecs1501 assessment 10 expected

ecs 1501 practise questions and answers studocu - Jan 07 2023

web practice questions answers 1 scarcity exists 1 when things are available only in small quantities 2 when resources are insufficient to produce all the desired goods

answers for ecs1501 2013 pdf pdf support ortax - Dec 06 2022

web answers for ecs1501 2013 pdf pdf support ortax org created date 9 1 2023 4 02 05 am

ecs1501 assignment 8 expected questions and answers - Apr 10 2023

web apr 27 2022 this document contains expected questions and answers for your ecs assignment 1501 assignment 8 compiled from over 5 assignment takers the solutions

ecs1501 assignment 2 semester 2 2020 817792 stuvia - Oct 04 2022

web jun 27 2020 economics for south african students ecs1501 assignment 2 semester 2 2020 unique code complete answers for ecs1501 assignment 2 including

today s connections answers and hints for wednesday - Nov 24 2021

web 2 days ago connections answers for september 13 spoiler alert don t scroll any further down the page until you re ready to find out today s connections answers this is your

ecs 1501 assignment 3 comprehensive summary - Nov 05 2022

web apr 20 2019 university of south africa unisa complete answers for ecs1501 assignment 3 semester 1 2019 answers come with full description of correct and all

ecs1501 economics ia studynotesunisa - Jul 13 2023

web free ecs1501 exam packs summaries notes question papers and memoranudms unisa students all economics resource notes are donated by previous students skip to

giants continue to search for answers at offensive line - Oct 24 2021

web 1 day ago east rutherford n j the new york giants have been at it now for over a decade in a seemingly never ending quest to fix their offensive line co owner john

ecs1501 study guide semester 1 economics 1a only study - Sep 03 2022

web note answers are provided at the end of this learning unit t f 1 scarcity and choice are central elements of economics 2 scarcity is a problem in poor countries only 3 the

ecs150 project1 solved ankitcodinghub - Jan 27 2022

web mar 28 2015 ankitcodinghub ecs150 project1 solved all about programming languages email protected whatsapp 1 419 877 7882 get quote for homework help

ecs 1501 economics 1a university of south africa - Mar 09 2023

web access study documents get answers to your study questions and connect with real tutors for ecs 1501 economics 1a at university of south africa upload to study expert help

github dperano ecs150p1 ecs 150 project 1 - Feb 25 2022

web a tag already exists with the provided branch name many git commands accept both tag and branch names so creating this branch may cause unexpected behavior

ecs1501 economics ia facebook - May 31 2022

web ecs1501 economics ia

ecs1501 unisa economics studocu - Jun 12 2023

web studying ecs1501 economics at university of south africa on studocu you will find 138 summaries 113 practice materials 107 lecture notes and much more for ecs1501

ecs1501 multiple choice questions answers 2023 stuvia - Aug 22 2021

web feb 27 2021 a document containing over 570 multiple choice question answers for ecs1501 the answers were checked using memo s and feedback provided by unisa

ecs1501 tl202 2020 1 pdf ecs1501 202 1 2020 tutorial - Mar 29 2022

web ecs1501 202 3 4 5 the correct alternative is 1 the marginal product of labour is the additional output produced by the additional unit of labour in employing the fifth labourer

assignment 13 quiz solutions to ecs1501 ecs1501 studocu - Feb 08 2023

web assignment 13 quiz solutions to ecs1501 quiz solutions answers for ecs1501 module economics ecs1501 students shared 526 documents in this course 120ex1 notes

ecs 1501 assignment 1 semester 2 2020 ecs1501 stuvia - Jul 21 2021

web jul 1 2020 ecs 1501 assignment 1 semester 2 2020 the document contains question and answers for ecs1501 semester 2 2020 assignment and explanations of the critical

ecs1501 economics ia gimmenotes - Sep 22 2021

web ecs1501 economics basics ecs1501 exam pack 2018 ecs1501 exam pack and notes ecs1501 notes ecs1501 reviewsheet ecs1501 study guide semester 1

ecs1501 exam may 2013 pdf this multiple choice - May 11 2023

web oct 21 2018 view test prep ecs1501 exam may 2013 pdf from ecs 1501 at university of south africa this multiple choice examination paper consists of 20 pages plus

previous exam papers and solutions university of - Aug 14 2023

web good day please mail me previous exam papers and solutions for ecs1501 euc1501 fac1502 welcome 2013 10 45am
registered 9 years ago posts 1 if i can