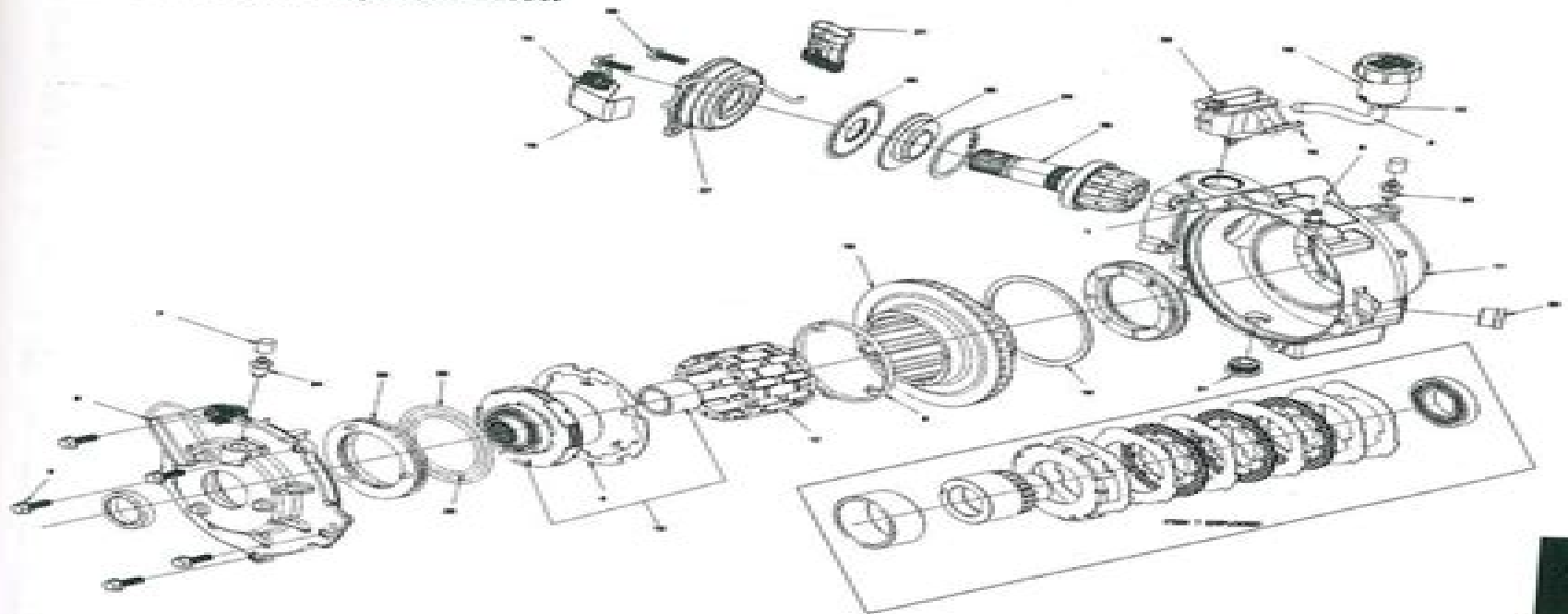


FRONT GEARCASE - ACTIVE DESCENT CONTROL

ADC Gearcase Exploded View



7

Ref. #	Description	Qty	Ref. #	Description	Qty
1	O-ring	2	17	Roll Cage Assembly	1
2	1/4" Tubing	1	18	8-32 x 3/8" Screws	4
3	1/4-20 Screws	5	19	Spacer, Gear	1
4	Armature Plate	1	20	Pump Assembly	1
5	Clutch Assy - LH Exploded View	1	21	Wire Connector	1
6	Wear	1	22	O-ring, Outer	2
7	Cap, Blind Screw	2	23	O-ring, Inner	2
8	Spacer, Clutch Basket	1	24	Bleeder Valve	2
9	Cover Assembly	1	25	Cam Assembly	1
10	Cover Bracket	1	26	Armature Plate	1
11	Gear Case Sub-Assembly	1	27	Pinion Cover Assembly	1
12	Hose Clamp	2	28	Retaining Ring	1
13	Clutch Assembly - rzt	2	29	Pinion Gear Assembly	1
14	Plastic Clip	2	30	Fill Plug	1
15	Reservoir	1	31	Drain Plug	1
16	Ring Gear	1	32	Piston Assembly	2
			33	1/4-20 Screws	3

Sportsman 500 Engine Manual

Yi-Tong Ma



Sportsman 500 Engine Manual:

Polaris, Sportsman 400 and 500 4x4, 1996-2003 and Xplorer 500 4x4, 1997-2003 Ed Scott,2004 **Remington Brothers' Newspaper Manual** ,1900 **Adult Catalog: Authors** Los Angeles County Public Library,1970 **Adult Catalog: Subjects** Los Angeles County Public Library,1970 **Field & Stream** ,2001-01 FIELD STREAM America s largest outdoor sports magazine celebrates the outdoor experience with great stories compelling photography and sound advice while honoring the traditions hunters and fishermen have passed down for generations *Billboard* ,1954-12-11 In its 114th year Billboard remains the world s premier weekly music publication and a diverse digital events brand content and data licensing platform Billboard publishes the most trusted charts and offers unrivaled reporting about the latest music video gaming media digital and mobile entertainment issues and trends **Commerce Business Daily** ,2000-03 Hunting and Fishing Combined with National Sportsman ,1942 *Popular Mechanics* ,1960-02 Popular Mechanics inspires instructs and influences readers to help them master the modern world Whether it s practical DIY home improvement tips gadgets and digital technology information on the newest cars or the latest breakthroughs in science PM is the ultimate guide to our high tech lifestyle **Amateur Sportsman** ,1909 Popular Science ,1975-08 Popular Science gives our readers the information and tools to improve their technology and their world The core belief that Popular Science and our readers share The future is going to be better and science and technology are the driving forces that will help make it better Popular Mechanics ,1945-03 Popular Mechanics inspires instructs and influences readers to help them master the modern world Whether it s practical DIY home improvement tips gadgets and digital technology information on the newest cars or the latest breakthroughs in science PM is the ultimate guide to our high tech lifestyle Popular Mechanics ,1962-11 Popular Mechanics inspires instructs and influences readers to help them master the modern world Whether it s practical DIY home improvement tips gadgets and digital technology information on the newest cars or the latest breakthroughs in science PM is the ultimate guide to our high tech lifestyle *Billboard* ,1955-01-15 In its 114th year Billboard remains the world s premier weekly music publication and a diverse digital events brand content and data licensing platform Billboard publishes the most trusted charts and offers unrivaled reporting about the latest music video gaming media digital and mobile entertainment issues and trends **Forest and Stream** ,1892 **Outing** ,1903 Popular Mechanics ,1943-11 Popular Mechanics inspires instructs and influences readers to help them master the modern world Whether it s practical DIY home improvement tips gadgets and digital technology information on the newest cars or the latest breakthroughs in science PM is the ultimate guide to our high tech lifestyle **Popular Science** ,1980-04 Popular Science gives our readers the information and tools to improve their technology and their world The core belief that Popular Science and our readers share The future is going to be better and science and technology are the driving forces that will help make it better **Popular Mechanics** ,1963-03 Popular Mechanics inspires instructs and influences readers to help them master the modern world

Whether it s practical DIY home improvement tips gadgets and digital technology information on the newest cars or the latest breakthroughs in science PM is the ultimate guide to our high tech lifestyle **The Rod and Gun and American Sportsman** ,1873

Reviewing **Sportsman 500 Engine Manual**: Unlocking the Spellbinding Force of Linguistics

In a fast-paced world fueled by information and interconnectivity, the spellbinding force of linguistics has acquired newfound prominence. Its capacity to evoke emotions, stimulate contemplation, and stimulate metamorphosis is truly astonishing. Within the pages of "**Sportsman 500 Engine Manual**," an enthralling opus penned by a very acclaimed wordsmith, readers attempt an immersive expedition to unravel the intricate significance of language and its indelible imprint on our lives. Throughout this assessment, we shall delve into the book's central motifs, appraise its distinctive narrative style, and gauge its overarching influence on the minds of its readers.

https://movement.livewellcolorado.org/public/Resources/HomePages/Walther_P99_Airsoft_Magazine_Repair.pdf

Table of Contents Sportsman 500 Engine Manual

1. Understanding the eBook Sportsman 500 Engine Manual
 - The Rise of Digital Reading Sportsman 500 Engine Manual
 - Advantages of eBooks Over Traditional Books
2. Identifying Sportsman 500 Engine Manual
 - Exploring Different Genres
 - Considering Fiction vs. Non-Fiction
 - Determining Your Reading Goals
3. Choosing the Right eBook Platform
 - Popular eBook Platforms
 - Features to Look for in an Sportsman 500 Engine Manual
 - User-Friendly Interface
4. Exploring eBook Recommendations from Sportsman 500 Engine Manual
 - Personalized Recommendations
 - Sportsman 500 Engine Manual User Reviews and Ratings
 - Sportsman 500 Engine Manual and Bestseller Lists

5. Accessing Sportsman 500 Engine Manual Free and Paid eBooks
 - Sportsman 500 Engine Manual Public Domain eBooks
 - Sportsman 500 Engine Manual eBook Subscription Services
 - Sportsman 500 Engine Manual Budget-Friendly Options
6. Navigating Sportsman 500 Engine Manual eBook Formats
 - ePub, PDF, MOBI, and More
 - Sportsman 500 Engine Manual Compatibility with Devices
 - Sportsman 500 Engine Manual Enhanced eBook Features
7. Enhancing Your Reading Experience
 - Adjustable Fonts and Text Sizes of Sportsman 500 Engine Manual
 - Highlighting and Note-Taking Sportsman 500 Engine Manual
 - Interactive Elements Sportsman 500 Engine Manual
8. Staying Engaged with Sportsman 500 Engine Manual
 - Joining Online Reading Communities
 - Participating in Virtual Book Clubs
 - Following Authors and Publishers Sportsman 500 Engine Manual
9. Balancing eBooks and Physical Books Sportsman 500 Engine Manual
 - Benefits of a Digital Library
 - Creating a Diverse Reading Collection Sportsman 500 Engine Manual
10. Overcoming Reading Challenges
 - Dealing with Digital Eye Strain
 - Minimizing Distractions
 - Managing Screen Time
11. Cultivating a Reading Routine Sportsman 500 Engine Manual
 - Setting Reading Goals Sportsman 500 Engine Manual
 - Carving Out Dedicated Reading Time
12. Sourcing Reliable Information of Sportsman 500 Engine Manual
 - Fact-Checking eBook Content of Sportsman 500 Engine Manual
 - Distinguishing Credible Sources
13. Promoting Lifelong Learning

- Utilizing eBooks for Skill Development
 - Exploring Educational eBooks
14. Embracing eBook Trends
- Integration of Multimedia Elements
 - Interactive and Gamified eBooks

Sportsman 500 Engine Manual Introduction

Free PDF Books and Manuals for Download: Unlocking Knowledge at Your Fingertips In today's fast-paced digital age, obtaining valuable knowledge has become easier than ever. Thanks to the internet, a vast array of books and manuals are now available for free download in PDF format. Whether you are a student, professional, or simply an avid reader, this treasure trove of downloadable resources offers a wealth of information, conveniently accessible anytime, anywhere. The advent of online libraries and platforms dedicated to sharing knowledge has revolutionized the way we consume information. No longer confined to physical libraries or bookstores, readers can now access an extensive collection of digital books and manuals with just a few clicks. These resources, available in PDF, Microsoft Word, and PowerPoint formats, cater to a wide range of interests, including literature, technology, science, history, and much more. One notable platform where you can explore and download free Sportsman 500 Engine Manual PDF books and manuals is the internet's largest free library. Hosted online, this catalog compiles a vast assortment of documents, making it a veritable goldmine of knowledge. With its easy-to-use website interface and customizable PDF generator, this platform offers a user-friendly experience, allowing individuals to effortlessly navigate and access the information they seek. The availability of free PDF books and manuals on this platform demonstrates its commitment to democratizing education and empowering individuals with the tools needed to succeed in their chosen fields. It allows anyone, regardless of their background or financial limitations, to expand their horizons and gain insights from experts in various disciplines. One of the most significant advantages of downloading PDF books and manuals lies in their portability. Unlike physical copies, digital books can be stored and carried on a single device, such as a tablet or smartphone, saving valuable space and weight. This convenience makes it possible for readers to have their entire library at their fingertips, whether they are commuting, traveling, or simply enjoying a lazy afternoon at home. Additionally, digital files are easily searchable, enabling readers to locate specific information within seconds. With a few keystrokes, users can search for keywords, topics, or phrases, making research and finding relevant information a breeze. This efficiency saves time and effort, streamlining the learning process and allowing individuals to focus on extracting the information they need. Furthermore, the availability of free PDF books and manuals fosters a culture of continuous learning. By removing financial barriers, more people can access educational resources and pursue lifelong learning, contributing to

personal growth and professional development. This democratization of knowledge promotes intellectual curiosity and empowers individuals to become lifelong learners, promoting progress and innovation in various fields. It is worth noting that while accessing free Sportsman 500 Engine Manual PDF books and manuals is convenient and cost-effective, it is vital to respect copyright laws and intellectual property rights. Platforms offering free downloads often operate within legal boundaries, ensuring that the materials they provide are either in the public domain or authorized for distribution. By adhering to copyright laws, users can enjoy the benefits of free access to knowledge while supporting the authors and publishers who make these resources available. In conclusion, the availability of Sportsman 500 Engine Manual free PDF books and manuals for download has revolutionized the way we access and consume knowledge. With just a few clicks, individuals can explore a vast collection of resources across different disciplines, all free of charge. This accessibility empowers individuals to become lifelong learners, contributing to personal growth, professional development, and the advancement of society as a whole. So why not unlock a world of knowledge today? Start exploring the vast sea of free PDF books and manuals waiting to be discovered right at your fingertips.

FAQs About Sportsman 500 Engine Manual Books

1. Where can I buy Sportsman 500 Engine Manual books? Bookstores: Physical bookstores like Barnes & Noble, Waterstones, and independent local stores. Online Retailers: Amazon, Book Depository, and various online bookstores offer a wide range of books in physical and digital formats.
2. What are the different book formats available? Hardcover: Sturdy and durable, usually more expensive. Paperback: Cheaper, lighter, and more portable than hardcovers. E-books: Digital books available for e-readers like Kindle or software like Apple Books, Kindle, and Google Play Books.
3. How do I choose a Sportsman 500 Engine Manual book to read? Genres: Consider the genre you enjoy (fiction, non-fiction, mystery, sci-fi, etc.). Recommendations: Ask friends, join book clubs, or explore online reviews and recommendations. Author: If you like a particular author, you might enjoy more of their work.
4. How do I take care of Sportsman 500 Engine Manual books? Storage: Keep them away from direct sunlight and in a dry environment. Handling: Avoid folding pages, use bookmarks, and handle them with clean hands. Cleaning: Gently dust the covers and pages occasionally.
5. Can I borrow books without buying them? Public Libraries: Local libraries offer a wide range of books for borrowing. Book Swaps: Community book exchanges or online platforms where people exchange books.

6. How can I track my reading progress or manage my book collection? Book Tracking Apps: Goodreads, LibraryThing, and Book Catalogue are popular apps for tracking your reading progress and managing book collections. Spreadsheets: You can create your own spreadsheet to track books read, ratings, and other details.
7. What are Sportsman 500 Engine Manual audiobooks, and where can I find them? Audiobooks: Audio recordings of books, perfect for listening while commuting or multitasking. Platforms: Audible, LibriVox, and Google Play Books offer a wide selection of audiobooks.
8. How do I support authors or the book industry? Buy Books: Purchase books from authors or independent bookstores. Reviews: Leave reviews on platforms like Goodreads or Amazon. Promotion: Share your favorite books on social media or recommend them to friends.
9. Are there book clubs or reading communities I can join? Local Clubs: Check for local book clubs in libraries or community centers. Online Communities: Platforms like Goodreads have virtual book clubs and discussion groups.
10. Can I read Sportsman 500 Engine Manual books for free? Public Domain Books: Many classic books are available for free as they're in the public domain. Free E-books: Some websites offer free e-books legally, like Project Gutenberg or Open Library.

Find Sportsman 500 Engine Manual :

walther p99 airsoft magazine repair

waldorf teacher appreciation poems

[wall of trust english edition](#)

[waec geography 2question papers](#)

[w215 owners manual mercedes benz](#)

wagon r electrical wiring

walsall manual call point

walther pp ppk manual

[vw transaxle repair manual](#)

[walmart bi weekly calender](#)

wagner power roller manual

wall split air conditioner installation manual

waec question paper on literature paper3 essay and obj 2014 2015

wallpaper wanita telanjang
walmart 2014 health insurance

Sportsman 500 Engine Manual :

rituales cotidianos las artistas en acción noema iberlibro com - Feb 02 2023

web rituales cotidianos las artistas en acción noema de currey mason en iberlibro com isbn 10 8417866027 isbn 13 9788417866020 turner publicaciones s l 2019 tapa blanda

rituales cotidianos las artistas en acción noema by mason - Jun 25 2022

web rituales cotidianos las artistas en acción noema by mason currey marta de bru rituales cotidianos las artistas en acción currey mason calaméo partir y dialogar en torno a las experiencias sugiero leer 2011 la recepcion teatral entre la experiencia estetica y la sin vapor y sin vela mayo 2014 yo te doy este pan padrazgo

rituales cotidianos las artistas en accion noema - Jul 27 2022

web 2 rituales cotidianos las artistas en accion noema 2022 07 28 rituales cotidianos las artistas en accion noema downloaded from ai classmonitor com by guest lin braun architectural graphics harpercollins aislarse por completo o celebrar fiestas multitudinarias recurrir a los estupefacientes o a la vida saludable renunciar a los hijos
pdf epub rituales cotidianos las artistas en acción noema - Oct 10 2023

web título rituales cotidianos las artistas en acción noema clasificación 4 5 de 5 estrellas 13 valoraciones isbn 10 8417866027 isbn 13 9788417866020 idiomae español formato ebook pdf epub kindle audio html y mobi dispositivos compatibles android ios pc y amazon kindle

rituales cotidianos las artistas en acción noema ebook - Mar 03 2023

web lee ahora en digital con la aplicación gratuita kindle rituales cotidianos las artistas en acción noema ebook currey mason de bru marta amazon es tienda kindle saltar al contenido principal

rituales cotidianos las artistas en accion noema - Apr 23 2022

web rituales cotidianos mason currey 2020 03 09 aislarse por completo o celebrar fiestas multitudinarias recurrir a los estupefacientes o a la vida saludable renunciar a los hijos o dejar que pululen por el estudio los modos de enfrentarse a la creación son innumerables como refleja el irónico y sagaz testimonio de las protagonistas de

descargar pdf rituales cotidianos las artistas en acción noema - Sep 28 2022

web apr 18 2021 rituales cotidianos las artistas en acción noema de mason currey marta de bru descripción reseña del editor aislarse por completo o celebrar fiestas multitudinarias recurrir a los estupefacientes o a la vida saludable renunciar a los hijos o dejar que pululen por el estudio

[rituales cotidianos las artistas en acción noema](#) - Sep 09 2023

web 2175 tienes uno para vender vender en amazon añadir a la cesta añadir a la cesta 3 79 de envío añadir a la cesta 2 96 de envío pasa el ratón por encima de la imagen para ampliarla leer muestra rituales cotidianos las artistas en acción noema tapa blanda 24 septiembre 2019 de mason currey autor marta de bru traductor

descargar rituales cotidianos las artistas en acción noema - Apr 04 2023

web apr 4 2021 rituales cotidianos las artistas en acción noema de mason currey marta de bru descripción reseña del editor aislarse por completo o celebrar fiestas multitudinarias recurrir a los estupefacientes o a la vida saludable renunciar a los hijos o dejar que pululen por el estudio

rituales cotidianos las artistas en acción - Jan 01 2023

web rituales cotidianos las artistas en acción 22 90 agregar a la cesta sin stock sujeto a disponibilidad en almacenes editorial turner coleccion del libro sin colección idioma castellano número de páginas 368 dimensiones 220 mm 140 mm 0 mm fecha de publicación 2019 materia arte isbn 978 84 17866 02 0 traductor a de

[rituales cotidianos las artistas en acción noema dotnbm](#) - May 25 2022

web rituales cotidianos las artistas en acción noema mitÓpolis ensayo sobre arte y memoria en el espacio público cuándo daily rituals salón nacional de artistas frágiles el fantasma de la prima Águeda mythologies hacia una antropología de los lectores ritual encounters la risa nos hará libres rituales cotidianos humanidades populares

[rituales cotidianos cómo trabajan los artistas noema liibook](#) - Nov 30 2022

web rituales cotidianos cómo trabajan los artistas noema es un libro para descargar gratis en epub pdf y mobi del autor a mason currey

[rituales cotidianos los artistas en acción oceano com co](#) - Oct 30 2022

web rituales cotidianos los artistas en acción editorial océano add to wishlist filosofía del derecho religión lingüística resiliencia metodología historia artes cocina

rituales cotidianos las artistas en acción noema 2023 - Mar 23 2022

web rituales cotidianos las artistas en acción noema 1 rituales cotidianos las artistas en acción noema the return of the real relatos con sabur rituales de hábitos the alchemical keys to masonic ritual architectural graphics ritual encounters mejor que nunca wabi sabi nosotros los más infieles rituales cotidianos máximo rendimiento

rituales cotidianos las artistas en acción noema currey - Aug 08 2023

web rituales cotidianos las artistas en acción noema currey mason amazon com tr kitap

download rituales cotidianos las artistas en acción noema - Aug 28 2022

web jan 11 2021 rituales cotidianos las artistas en acción noema de mason currey marta de bru descripción reseña del

editor aislarse por completo o celebrar fiestas multitudinarias recurrir a los estupefacientes o a la vida saludable renunciar a los hijos o dejar que pululen por el estudio

rituales cotidianos cómo trabajan los artistas noema - May 05 2023

web rituales cotidianos cómo trabajan los artistas noema currey mason vitier José Adrián Amazon es libros libros arte y fotografía historia teoría y crítica nuevo 18 90 precio recomendado 19 90 más info ahorra 1 00 5 los precios incluyen IVA devoluciones gratis entrega gratis el domingo 17 de septiembre en tu primer pedido

rituales cotidianos las artistas en acción noema liibook - Jul 07 2023

web rituales cotidianos las artistas en acción noema descarga tu libro en diversos formatos descargar mobi descargar pdf descargar epub Éste libro se encuentra gratis en Amazon aislarse completamente o festejar fiestas tumultarias recurrir a los estupefacientes o a la vida saludable abandonar los hijos o dejar que bullan por el

rituales cotidianos las artistas en acción noema - Feb 19 2022

web rituales cotidianos mason currey 2020 03 09 aislarse por completo o celebrar fiestas multitudinarias recurrir a los estupefacientes o a la vida saludable renunciar a los hijos o dejar que pululen por el estudio los modos de enfrentarse a la creación son innumerables como refleja el irónico y sagaz testimonio de las protagonistas de

rituales cotidianos las artistas en acción google books - Jun 06 2023

web los modos de enfrentarse a la creación son innumerables como refleja el irónico y sagaz testimonio de las protagonistas de este libro pintoras compositoras escultoras científicas cineastas e intérpretes revelan las pequeñas y grandes decisiones que tuvieron que tomar en su vida cotidiana

kÜtÜphane İngilizce Çeviri bab la türkçe İngilizce sözlük - Mar 15 2023

İngilizce deki kütüphane kelimesinin çevirisi nedir tr volume up kütüphane en volume up library Çeviriler telaffuz Çeviri cümle kalıpları open in new tr

définitions bibliothécaire dictionnaire de français larousse - May 17 2023

bibliothécaire n personne chargée de la classification de la conservation du développement bibliothécaire définitions français retrouvez la définition de bibliothécaire synonymes

la bibliothécaire 1644 mots etudier - Nov 11 2022

montre plus la bibliothécaire guillaume m pennac professeur de français naïma fille dans la classe de guillaume laurence fille dans la classe de guillaume doudou garçon qui est black dans la classe de guillaume c est son meilleur ami cédric

meloni al cairo la difesa di israele non diventi vendetta attenti - Feb 14 2023

oct 21 2023 dall inviato al cairo giorgia meloni fa un appello alla conferenza di pace del cairo la crisi di gaza non si trasformi in una guerra di civiltà l italia è pronta per lavorare alla

en direct au caire le sommet pour la paix réclame un cessez le - Jan 13 2023

oct 21 2023 au sommet pour la paix au caire des dirigeants du monde ont réclamé un cessez le feu entre israël et le hamas et plaidé pour une aide massive à gaza une aide qui commence à passer de

em cúpula no cairo líder da onu pede ajuda humanitária un - Dec 12 2022

1 day ago em cúpula no cairo líder da onu pede ajuda humanitária sustentada a gaza encontro reuniu líderes da região e de todo o mundo em esforço para diminuir escalada da violência secretário geral da onu disse que caminhões com suprimentos essenciais precisam se deslocar o mais rápido possível ele afirmou que a onu está trabalhando sem

annuaire du bibliophile du bibliotheca caire et de l archiviste - Aug 20 2023

annuaire du bibliophile du bibliotheca caire et de l archiviste pour l anna c e 1862 vol 3 classic reprint yazar louis lacour yayneveli forgotten books kitap formatı ciltsiz İnce kapak

bibliothécaire métier études diplômes salaire formation cidj - Aug 08 2022

le bibliothécaire accueille oriente et conseille le public dans sa recherche de lecture ou d information les postes de bibliothécaire de la fonction publique d État et territoriale sont accessibles sur concours

essai sur la bibliographie et sur les talents du bibliotheca caire - Jul 19 2023

essai sur la bibliographie et sur les talents du bibliotheca caire book read reviews from world s largest community for readers essai sur la bibliograp

la bibliothécaire gudule pdf gratuit pdf prof - Apr 04 2022

gudule sens propre et sens figuré recherche documentaire la bibliothécaire fonction du dialogue entre recherche d informations sur des personnages cd ffda la bibliothécaire gudule pdf gratuit résumé du chapitre 10 de la bibliothécaire resume par chapitre du livre la

la bibliotheca caire protese odontocompany com - Jul 07 2022

la bibliotheca caire 5 5 elsevier innovation in near surface geophysics instrumentation application and data processing methods offers an advanced look at state of the art and innovative technologies for near surface geophysics exposing the latest most effective techniques in an

définition de bibliothécaire dictionnaire français - Feb 02 2022

nombre de points du mot bibliothécaire au scrabble 22 points définition de bibliothécaire dictionnaire étymologie phonétique citations littéraires synonymes et antonymes de bibliothécaire

la bibliothécaire by gudule - May 05 2022

virginie justin labonne biblioth caire at universit d antoine alexis cadet de vaux author of arte de hacer el vino bibliothcaire wikipedia full text of a conversational dictionary of the english april 8th 2020 berkeley and los angeles university of california

press 1961 pp 160 3 50 pp 278 279 gee v taylor guinness

la bibliothécaire 381 mots etudier - Oct 10 2022

quand sa lumière s éteint guillaume voit alors sortir de l immeuble une jeune fille blonde très belle une nuit guillaume décide de la suivre et lui parler il arrive à la bibliothèque et la jeune fille lui dit qu elle s appelle ida et qu elle a en réalité 84 ans et que c est l ancienne bibliothécaire

bibliothécaire onisep - Sep 09 2022

dans une bibliothèque municipale ou à la bibliothèque nationale de france le bibliothécaire est le trait d union entre les ouvrages et les usagers accueil du public conservation du fonds classement gestion du prêt ses tâches sont nombreuses niveau minimum d accès bac 2 salaire débutant 1919

bibliothÉcaire définition de bibliothÉcaire centre - Mar 03 2022

bibliothÉcaire substantif personne responsable de la gestion et de l administration d une bibliothèque publique ou privée bibliothécaire en chef adjoint stagiaire 1 c est dans cette même vue que j ai ajouté deux tables de l ouvrage l une analytique dressée avec beaucoup de soin par mon collègue m de tracy l autre

traduction en français exemples turc reverso context - Jun 06 2022

traductions en contexte de kütüphane en turc français avec reverso context kütüphane kartı

bibliothécaire wikipédia - Jun 18 2023

les bibliothécaires y occupent souvent des fonctions de gestion au niveau des ressources humaines financières et documentaires et assurent la bonne marche en général de la bibliothèque afin de répondre le plus adéquatement possible aux

bibliotheca belgica vol 4 bibliographie ga c na c rale des - Sep 21 2023

bibliotheca belgica vol 4 bibliographie ga c na c rale des pays bas par le bibliotha c caire en chef et les conservateurs de la bibliothaque de l universita c de gand cast cl clas ferdinand van der haeghen kitabı satın al

la bibliotha c caire pdf 2023 gestudy byu edu - Apr 16 2023

may 2 2023 la bibliotha c caire pdf recognizing the pretension ways to get this ebook la bibliotha c caire pdf is additionally useful you have remained in right site to start getting this info acquire the la bibliotha c caire pdf associate that we pay for here and check out the link you could buy guide la bibliotha c caire pdf or get it as soon as

biochemistry the molecular basis of life amazon com - Jan 27 2022

web test bank for biochemistry the molecular basis of life 7th edition james r mckee trudy mckee isbn 10 019084762x isbn 13 9780190847623

biochemistry the molecular basis of life google books - Sep 03 2022

web apr 5 2023 biochemistry the molecular basis of life 7e trudy mckee james mckee test bank biochemistry the molecular basis of life 7e trudy mckee james mckee

biochemistry the molecular basis of life 7e trudy mckee - Aug 02 2022

web trudy mckee james robert mckee oxford university press 2009 biochemistry 850 pages biochemistry the molecular basis of life fourth edition is the ideal text for

biochemistry the molecular basis of life 7e student - Jul 13 2023

web aimed at students with one unit of organic chemistry it focuses on essential biochemical principles that underpin the modern life sciences and offers the most balanced coverage

biochemistry the molecular basis of life 6th edition test - Mar 29 2022

web complete test bank for biochemistry the molecular basis of life 7th edition mckee package sourced directly from publisher inclusive of detailed solution manual

trudy mckee and james mckee biochemistry the molecular - Sep 22 2021

biochemistry the molecular basis of life google books - Jul 01 2022

web test bank for biochemistry the molecular basis of life 7th edition james r mckee trudy mckee isbn 10 019084762x isbn 13 9780190847623

test bank for biochemistry the molecular basis of life 7th - Apr 29 2022

web may 24 2022 biochemistry the molecular basis of life 6th edition test bank by mckee james r mckee isbn 978 0190209896 biochemistry the molecular

test bank download online for biochemistry the molecular - Dec 06 2022

web biochemistry the molecular basis of life 7th edition mckee test bank 100 00 50 00 test bank for biochemistry the molecular basis of life 7th edition james r

test bank for biochemistry the molecular basis of life 7e mckee - Dec 26 2021

web improve your grades and reach your goals with flashcards practice tests and expert written solutions today fresh features from the 1 ai enhanced learning platform

test bank for biochemistry the molecular basis of life trudy - Apr 10 2023

web test bank for biochemistry the molecular basis of life 7th edition james r mckee trudy mckee free download as pdf file pdf text file txt or read online for free test bank

test bank for biochemistry the molecular basis of life 7th edition - May 11 2023

web may 3 2020 test bank for biochemistry the molecular basis of life trudy mckee james r mckee 7th editionsm tb hotmail

com sm tb com

trudy mckee and james mckee biochemistry the molecular - Jan 07 2023

web test bank for biochemistry the molecular basis of life 7th edition mckee test bank for biochemistry the molecular basis of life 7th edition james r mckee trudy mckee

test bank for biochemistry the molecular basis of life 7th - Feb 25 2022

web apr 28 2008 biochemistry the molecular basis of life fourth edition is the ideal text for students who do not specialize in biochemistry but require a strong grasp of

biochemistry the molecular basis of life 7e instructor resources - Aug 14 2023

web trudy mckee and james mckee biochemistry the molecular basis of life 7e instructor resources

biochemistry the molecular basis of life 7th edition mckee test - Oct 04 2022

web mckee s balance means a principles driven text with thorough chemical coverage strong problem solving support and more prominent biological applications it means not just

[mezun biyoloji kazanım testleri meb Ölçme değerlendirme ve](#) - Oct 24 2021

web mar 16 2022 trudy mckee and james mckee biochemistry the molecular basis of life 7th edition test bank isbn 978 9 100 money back guarantee immediately available

biochemistry the molecular basis of life 7th edition mckee - Nov 05 2022

web download biochemistry the molecular basis of life 7th edition mckee test bank with full and complete chapters instantly nursing test bank will have you on the road to

test bank for biochemistry the molecular basis of life 7th - Mar 09 2023

web test bank for biochemistry the molecular basis of life 7th edition james r mckee trudy mckee isbn 10 019084762x isbn 13 9780190847623

biochemistry test banks quizlet - Nov 24 2021

web Ölçme değerlendirme ve sınav hizmetleri genel müdürlüğü emniyet mahallesi milas sokak no8 yenimahalle ankara 0312 413 30 65

biochemistry the molecular basis of life 7th edition mckee - May 31 2022

web test bank for biochemistry the molecular basis of life 7th edition mckee test bank for biochemistry the molecular basis of life 7th edition james r mckee trudy mckee

biochemistry the molecular basis of life 7th edition mckee - Feb 08 2023

web mar 16 2022 trudy mckee and james mckee biochemistry the molecular basis of life 7th edition test bank isbn 978 9 this is a test bank that covers questions and

biochemistry the molecular basis of life 7e learning link - Jun 12 2023

web may 30 2023 test bank for biochemistry the molecular basis of life 7th edition mckee all chapters 1 19 full complete
2023 2024 100 money back guarantee