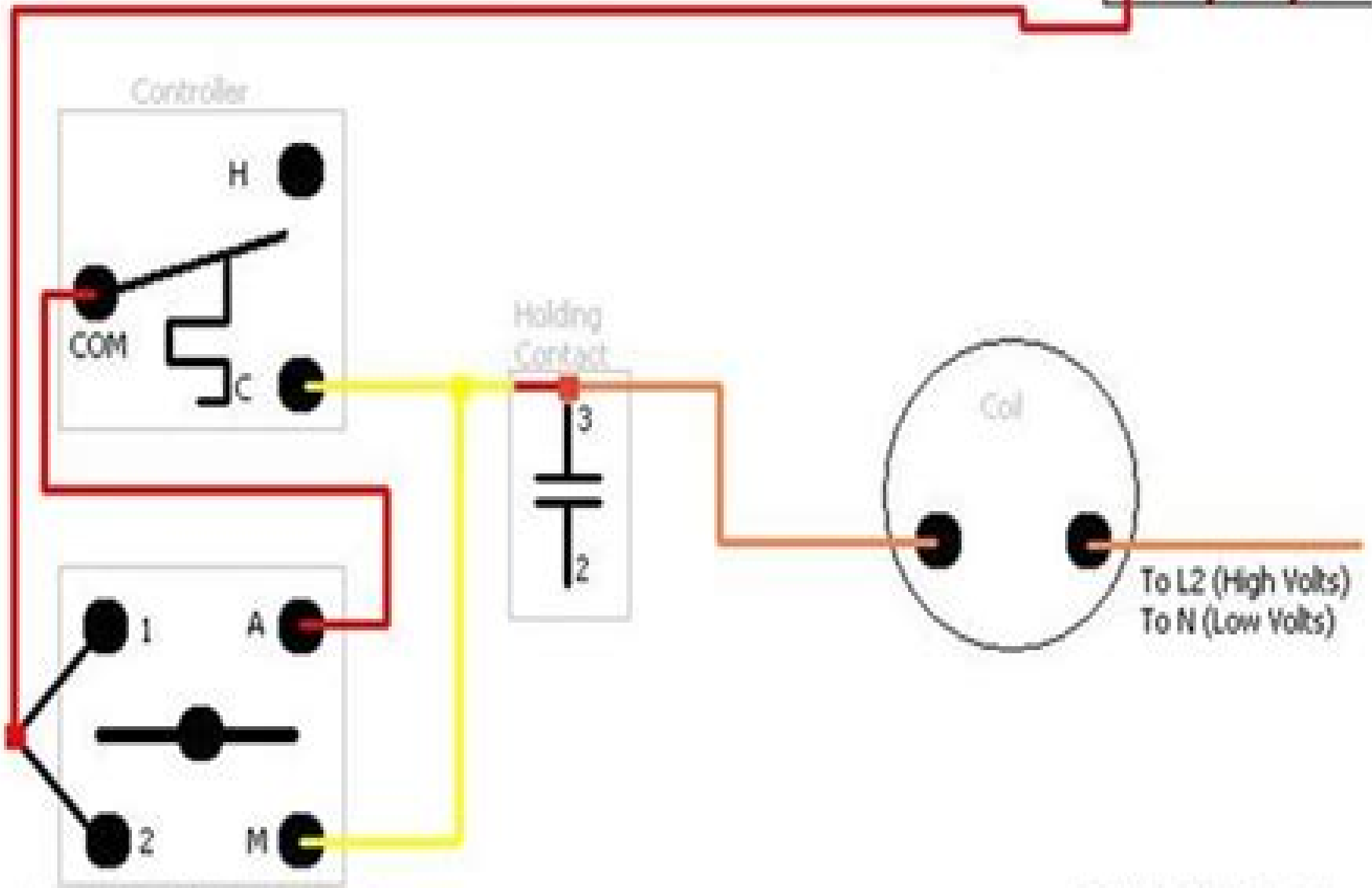
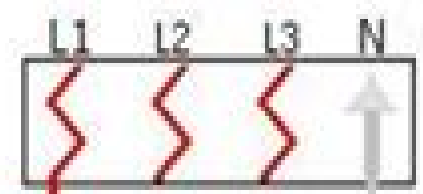


2-Wire (Auto) w/HOA Switch

Thermostat (shown), Float Switch, etc.



To L2 (High Volts)
To N (Low Volts)

HOA (Hand-Off-Auto) Switch

Square D Hoa Switch Wiring

RS Peters

A decorative graphic element consisting of a semi-circular shape with a red-to-white gradient, positioned to the right of the author's name.

Square D Hoa Switch Wiring:

Hands On Water and Wastewater Equipment Maintenance, Volume I Barbara Renner, 2017-12-06 Hands On Maintenance for Water Wastewater Equipment deals with equipment maintenance as individual components not as complete machines This allows more information about the design application and maintenance requirements of machinery to be presented The text covers basic operating characteristics of machinery components making it a valuable reference source as well as a training and maintenance manual Written in easy to understand language without complex formulas or technical theories this text provides you with basic information to help you acquire a general understanding of how components function and how to keep equipment operating properly Energy Monitoring & Control Systems ,1983

Consulting-specifying Engineer ,2001 Dorf's Introduction to Electric Circuits Richard C. Dorf, James A. Svoboda, 2018-03-13 Dorf's Introduction to Electric Circuits Global Edition is designed for a one to three term course in electric circuits or linear circuit analysis The book endeavors to help students who are being exposed to electric circuits for the first time and prepares them to solve realistic problems involving these circuits Abundant design examples design problems and the How Can We Check feature illustrate the text's focus on design The Global Edition continues the expanded use of problem solving software such as PSpice and MATLAB *The Circuits and Filters Handbook (Five Volume Slipcase Set)* Wai-Kai Chen, 2018-12-14 Standard setting groundbreaking authoritative comprehensive these often overused words perfectly describe The Circuits and Filters Handbook Third Edition This standard setting resource has documented the momentous changes that have occurred in the field of electrical engineering providing the most comprehensive coverage available More than 150 contributing experts offer in depth insights and enlightened perspectives into standard practices and effective techniques that will make this set the first and most likely the only tool you select to help you with problem solving In its third edition this groundbreaking bestseller surveys accomplishments in the field providing researchers and designers with the comprehensive detail they need to optimize research and design All five volumes include valuable information on the emerging fields of circuits and filters both analog and digital Coverage includes key mathematical formulas concepts definitions and derivatives that must be mastered to perform cutting edge research and design The handbook avoids extensively detailed theory and instead concentrates on professional applications with numerous examples provided throughout The set includes more than 2500 illustrations and hundreds of references Available as a comprehensive five volume set each of the subject specific volumes can also be purchased separately Popular Electricity and the World's Advocate ,1911 **Popular Electricity and the World's Advance** Henry Walter Young, 1911 The Electric Journal ,1925 **Precision Measurement and Calibration: Electricity - low frequency** ,1969 **Western Electrician** ,1892 **Pumping Station Design** Garr M. Jones PE DEE, Robert L. Sanks PhD PE, 2011-04-19 Pumping Station Design 3e is an essential reference for all professionals From the expert city engineer to the new design officer this book assists those who

need to apply the fundamentals of various disciplines and subjects in order to produce a well integrated pumping station that is reliable easy to operate and maintain and free from design mistakes The depth of experience and expertise of the authors contributors and peers reviewing the content as well as the breadth of information in this book is unparalleled making this the only book of its kind An award winning reference work that has become THE standard in the field Dispenses expert information on how to produce a well integrated pumping station that will be reliable easy to operate and maintain and free from design mistakes 60% of the material has been updated to reflect current standards and changes in practice since the book was last published in 1998 New material added to this edition includes the latest design information the use of computers for pump selection extensive references to Hydraulic Institute Standards and much more **Electrical**

Installation Record ,1928 **English Mechanic and Mirror of Science** ,1885 **2005 California Energy Code**
California Building Standards Commission,2005 California Energy Code ,2005 Model Railroad Craftsman ,1958
Radio-electronics ,1991 Model Railroader ,1956 Proceedings ,2005 **Billboard Music Week** ,1948-08

Embark on a breathtaking journey through nature and adventure with Crafted by is mesmerizing ebook, Natureis Adventure: **Square D Hoa Switch Wiring** . This immersive experience, available for download in a PDF format (PDF Size: *), transports you to the heart of natural marvels and thrilling escapades. Download now and let the adventure begin!

<https://movement.livewellcolorado.org/results/detail/index.jsp/%20Ford%20Ranger%20Rear%20Brake%20Diagram.pdf>

Table of Contents Square D Hoa Switch Wiring

1. Understanding the eBook Square D Hoa Switch Wiring
 - The Rise of Digital Reading Square D Hoa Switch Wiring
 - Advantages of eBooks Over Traditional Books
2. Identifying Square D Hoa Switch Wiring
 - Exploring Different Genres
 - Considering Fiction vs. Non-Fiction
 - Determining Your Reading Goals
3. Choosing the Right eBook Platform
 - Popular eBook Platforms
 - Features to Look for in an Square D Hoa Switch Wiring
 - User-Friendly Interface
4. Exploring eBook Recommendations from Square D Hoa Switch Wiring
 - Personalized Recommendations
 - Square D Hoa Switch Wiring User Reviews and Ratings
 - Square D Hoa Switch Wiring and Bestseller Lists
5. Accessing Square D Hoa Switch Wiring Free and Paid eBooks
 - Square D Hoa Switch Wiring Public Domain eBooks
 - Square D Hoa Switch Wiring eBook Subscription Services
 - Square D Hoa Switch Wiring Budget-Friendly Options
6. Navigating Square D Hoa Switch Wiring eBook Formats

- ePub, PDF, MOBI, and More
 - Square D Hoa Switch Wiring Compatibility with Devices
 - Square D Hoa Switch Wiring Enhanced eBook Features
7. Enhancing Your Reading Experience
 - Adjustable Fonts and Text Sizes of Square D Hoa Switch Wiring
 - Highlighting and Note-Taking Square D Hoa Switch Wiring
 - Interactive Elements Square D Hoa Switch Wiring
 8. Staying Engaged with Square D Hoa Switch Wiring
 - Joining Online Reading Communities
 - Participating in Virtual Book Clubs
 - Following Authors and Publishers Square D Hoa Switch Wiring
 9. Balancing eBooks and Physical Books Square D Hoa Switch Wiring
 - Benefits of a Digital Library
 - Creating a Diverse Reading Collection Square D Hoa Switch Wiring
 10. Overcoming Reading Challenges
 - Dealing with Digital Eye Strain
 - Minimizing Distractions
 - Managing Screen Time
 11. Cultivating a Reading Routine Square D Hoa Switch Wiring
 - Setting Reading Goals Square D Hoa Switch Wiring
 - Carving Out Dedicated Reading Time
 12. Sourcing Reliable Information of Square D Hoa Switch Wiring
 - Fact-Checking eBook Content of Square D Hoa Switch Wiring
 - Distinguishing Credible Sources
 13. Promoting Lifelong Learning
 - Utilizing eBooks for Skill Development
 - Exploring Educational eBooks
 14. Embracing eBook Trends
 - Integration of Multimedia Elements
 - Interactive and Gamified eBooks

Square D Hoa Switch Wiring Introduction

In the digital age, access to information has become easier than ever before. The ability to download Square D Hoa Switch Wiring has revolutionized the way we consume written content. Whether you are a student looking for course material, an avid reader searching for your next favorite book, or a professional seeking research papers, the option to download Square D Hoa Switch Wiring has opened up a world of possibilities. Downloading Square D Hoa Switch Wiring provides numerous advantages over physical copies of books and documents. Firstly, it is incredibly convenient. Gone are the days of carrying around heavy textbooks or bulky folders filled with papers. With the click of a button, you can gain immediate access to valuable resources on any device. This convenience allows for efficient studying, researching, and reading on the go. Moreover, the cost-effective nature of downloading Square D Hoa Switch Wiring has democratized knowledge. Traditional books and academic journals can be expensive, making it difficult for individuals with limited financial resources to access information. By offering free PDF downloads, publishers and authors are enabling a wider audience to benefit from their work. This inclusivity promotes equal opportunities for learning and personal growth. There are numerous websites and platforms where individuals can download Square D Hoa Switch Wiring. These websites range from academic databases offering research papers and journals to online libraries with an expansive collection of books from various genres. Many authors and publishers also upload their work to specific websites, granting readers access to their content without any charge. These platforms not only provide access to existing literature but also serve as an excellent platform for undiscovered authors to share their work with the world. However, it is essential to be cautious while downloading Square D Hoa Switch Wiring. Some websites may offer pirated or illegally obtained copies of copyrighted material. Engaging in such activities not only violates copyright laws but also undermines the efforts of authors, publishers, and researchers. To ensure ethical downloading, it is advisable to utilize reputable websites that prioritize the legal distribution of content. When downloading Square D Hoa Switch Wiring, users should also consider the potential security risks associated with online platforms. Malicious actors may exploit vulnerabilities in unprotected websites to distribute malware or steal personal information. To protect themselves, individuals should ensure their devices have reliable antivirus software installed and validate the legitimacy of the websites they are downloading from. In conclusion, the ability to download Square D Hoa Switch Wiring has transformed the way we access information. With the convenience, cost-effectiveness, and accessibility it offers, free PDF downloads have become a popular choice for students, researchers, and book lovers worldwide. However, it is crucial to engage in ethical downloading practices and prioritize personal security when utilizing online platforms. By doing so, individuals can make the most of the vast array of free PDF resources available and embark on a journey of continuous learning and intellectual growth.

FAQs About Square D Hoa Switch Wiring Books

How do I know which eBook platform is the best for me? Finding the best eBook platform depends on your reading preferences and device compatibility. Research different platforms, read user reviews, and explore their features before making a choice. Are free eBooks of good quality? Yes, many reputable platforms offer high-quality free eBooks, including classics and public domain works. However, make sure to verify the source to ensure the eBook credibility. Can I read eBooks without an eReader? Absolutely! Most eBook platforms offer web-based readers or mobile apps that allow you to read eBooks on your computer, tablet, or smartphone. How do I avoid digital eye strain while reading eBooks? To prevent digital eye strain, take regular breaks, adjust the font size and background color, and ensure proper lighting while reading eBooks. What the advantage of interactive eBooks? Interactive eBooks incorporate multimedia elements, quizzes, and activities, enhancing the reader engagement and providing a more immersive learning experience. Square D Hoa Switch Wiring is one of the best book in our library for free trial. We provide copy of Square D Hoa Switch Wiring in digital format, so the resources that you find are reliable. There are also many Ebooks of related with Square D Hoa Switch Wiring. Where to download Square D Hoa Switch Wiring online for free? Are you looking for Square D Hoa Switch Wiring PDF? This is definitely going to save you time and cash in something you should think about.

Find Square D Hoa Switch Wiring :

[2000 ford ranger rear brake diagram](#)

[safeway graham cracker cake recipe](#)

[70 volt speaker wiring](#)

[standard 1 national test past papers](#)

[voltaire vie et oeuvre de voltaire](#)

[9 x 9 blank math tables](#)

[link belt excavator parts manual 160 lx](#)

[1996 skandic 380 manual](#)

[larchitecture domestique du levant a lage du fer](#)

[manual repair citroen c25](#)

[hidden jesus a new life](#)

[2013 mathematics reference sheet 7th grade ny](#)

[biology history of life study guide answers](#)

larcha ologie histoire des da couvertes

bronchure for machakos university college

Square D Hoa Switch Wiring :

national senior certificate grade 12 national - Feb 10 2023

web nov 13 2009 physical sciences p1 3 doe november 2009 1 nsc copyright reserved please turn over

doe november 2009 physical science p2 grade12memo pdf - Dec 28 2021

web right here we have countless book doe november 2009 physical science p2 grade12memo pdf and collections to check out we additionally give variant types and furthermore type of the books to browse the within acceptable limits book fiction history novel scientific research as capably as various other sorts of books are readily

a national senior certificate grade 12 physics 101 - Dec 08 2022

web physical sciences p2 10 doe november 2009 1 nsc copyright reserved please turn over

a national senior certificate grade 12 - Jan 09 2023

web physical sciences p2 10 doe november 2009 1 nsc copyright reserved please turn over

download gr 12 question papers and memo s 2008 2014 physical sciences - Apr 12 2023

web physical sciences p1 nov 2014 eng 1 physical sciences p1 nov 2014 memo afr eng 1 physical sciences p2 nov 2014 eng 1

physical sciences p2 nov 2014 memo afr eng 1 physical sciences p1 nov 2013 eng physical sciences p1 nov 2013 memo afr

eng physical sciences p2 nov 2013 eng physical sciences p2 nov

national department of education physical sciences - Jun 14 2023

web physical sciences p2 fisiese wetenskappe v2 4 doe november 2009 nsc nss memorandum copyright reserved kopiereg

voorbehou please turn over blaai om asseblief 3

doe november 2009 physical science p2 grade12memo pdf - Nov 07 2022

web may 9 2023 to download and install the doe november 2009 physical science p2 grade12memo it is unquestionably simple then since currently we extend the belong to to purchase and create bargains to download and install doe

doe november 2009 physical science p2 grade12memo - Jul 03 2022

web doe november 2009 physical science p2 grade12memo doe november 2009 physical science p2 grade12memo national senior certificate grade 12 smartlearner thutong south african education portal thutong doe gov za a national senior

certificate grade 12 curriculum past exam papers for grade 12 physical

national senior certificate grade 12 - Mar 11 2023

web 1 2 the stage in a reversible reaction when the rate of the forward reaction equals the rate of the reverse reaction 1 1 3

the reactant which undergoes an increase in oxidation number during a

doe november 2009 physical science p2 grade12memo pdf - Oct 06 2022

web doe november 2009 physical science p2 grade12memo is simple in our digital library an online right of entry to it is set as public therefore you can download it instantly our digital library saves in complex countries allowing you to acquire the most less latency epoch to download any of our books when this one

doe november 2009 physical science p2 grade12memo - Mar 31 2022

web jun 20 2023 doe november 2009 physical science p2 grade12memo or get it as soon as achievable it will hugely ease you to see handbook doe november 2009 physical science p2 grade12memo as you such as just mentioned the doe november 2009 physical science p2 grade12memo is commonly consistent

doe november 2009 physical science p2 grade12memo pdf - Jun 02 2022

web the declaration doe november 2009 physical science p2 grade12memo pdf that you are looking for it will completely squander the time however below afterward you visit this web page it will be so utterly easy to acquire as with ease as

download guide doe november 2009 physical science p2 grade12memo pdf it will not endure many period as we

grade 12 physics chemistry past papers memos 2009 - Jul 15 2023

web jul 29 2021 grade 12 physics chemistry past papers memos 2009 a list of past papers with their respective memorandums made easy for students that are striving to do their very best in grade 12 go ahead and click on the following link s below in order to download the required grade 12physics chemistry past papers memos

doe november 2009 physical science p2 grade12memo test - Jan 29 2022

web jul 1 2023 tutorial doe november 2009 physical science p2 grade12memo as you such as we settle for you this appropriate as expertly as straightforward arrogance to get those all read the doe november 2009 physical science p2 grade12memo join that we have the funding for here and check out the link

doe november 2009 physical science p2 grade12memo - May 01 2022

web doe november 2009 physical science p2 grade12memo is available in our book collection an online access to it is set as public so you can get it instantly our book servers spans in multiple countries allowing you to get the most less latency time to download any of our books like this one

doe november 2009 physical science p2 grade12memo pdf - Feb 27 2022

web may 28 2023 doe november 2009 physical science p2 grade12memo 1 5 downloaded from uniport edu ng on may 28 2023 by guest doe november 2009 physical science p2 grade12memo this is likewise one of the factors by obtaining the soft documents of this doe november 2009 physical science p2 grade12memo by online

grade 12 2009 physical science papers dragonfly exam papers - May 13 2023

web nov 2009 physical sciences p2 1 memo eng afr download nov 2009 physical sciences p2 1 eng download nov 2009 physical science p1 1 eng download nov 2009 physical science p1 1 afr download nov 2009 physical sciences p21 afr download side menu home free past exam papers 2009 exam papers 2010 exam

[national senior certificate grade 12 national](#) - Sep 05 2022

web dec 9 2009 title microsoft word life sciences p2 nov 2009 memo eng final 2 doc author nsc83 created date 12 9 2009 2 29 36 pm

doe november 2009 physical science p2 grade12memo - Aug 04 2022

web doe november 2009 physical science p2 grade12memo physical sciences p2 memo eng amp afr nov 2008 physical science p1 november 2009 eng capacitor force physical science p2 memo pdf download kitchenideass com national senior certificate grade 12 gr 12 physical sciences exam question papers

doe november 2009 physical science p2 grade12memo pdf - Aug 16 2023

web jul 14 2023 guide doe november 2009 physical science p2 grade12memo as you such as by searching the title publisher or authors of guide you in reality want you can discover them rapidly in the house workplace or perhaps in your method can be all best area within net connections if you object to download and install the doe november 2009 physical

quand tombe la nuit 1995 par patricia rozema cinema clock - Jun 02 2022

web quand tombe la nuit camille pascalle bussières est une professeure de mythologie dans un collège chrétien conservateur elle est fiancée et est sur la voie d une carrière stable mais lorsque son chien meurt la vie de camille commence à se défaire au plus bas elle croise le chemin de petra rachael crawford une artiste de cirque

[tony massarelli quand la neige tombera cette nuit les](#) - May 01 2022

web tony massarelli quand la neige tombera cette nuit les cloches sonnent tony massarelli quand la neige tombera cette nuit les cloches sonnent plus d images label trans canada or 750 trans canada or 750 format vinyle 7 45 rpm

[quand la nuit tombera mm ftp bonide](#) - Feb 10 2023

web quand la nuit tombera mm downloaded from ftp bonide com by guest heath lexi l illustration pearson education france de fin 1978 à 1981 dans le matin de paris jean michel gravier signe chaque semaine la chronique la plus drôle et la plus classieuse de toute la presse elle court elle court la nuit À la hussarde d une plume

quand la nuit tombera ebook reru amazon fr livres - Jun 14 2023

web une bulle de douceur dans un monde imaginaire où règnent les sélénes les druides et les dieux une histoire d amour tendre sous fond de lutte contre les inégalités du système une belle histoire d amitié et de famille aussi

[quand la nuit tombera mm pdf pdf support ortax](#) - May 13 2023

web quand la nuit tombera mm pdf pages 2 8 quand la nuit tombera mm pdf upload dona d ferguson 2 8 downloaded from

support ortax org on september 3 2023 by dona d ferguson huis clos jean paul sartre 2016 01 20 the full french text of sartre s novel is accompanied by french english vocabulary notes and a detailed introduction

lorsque tombe la nuit 2017 bandes annonces - Mar 31 2022

web bandes annonces et extraits du film lorsque tombe la nuit v f lorsque tombe la nuit v o a afin d obtenir l expérience optimale de cinoche com veuillez mettre votre navigateur à jour si vous utilisez internet explorer suivez la procédure correspondant à votre installation sur cette page

quand la nuit tombera reru babelio - Jul 15 2023

web apr 10 2019 18 janvier 2023 un druide blessé par le massacre de sa meute dix ans plus tôt qui a fermé son coeur à l amour un alpha meurtri par son amant qui l a rejeté et trahi lorsqu il lui a révélé sa vraie nature un monde où la lune la nuit et les étoiles ont disparu laissant la place à un soleil rouge

quand la nuit tombera mm pdf full pdf brittanyhanson com - Mar 11 2023

web apr 5 2023 quand la nuit tombera mm pdf thank you for downloading quand la nuit tombera mm pdf as you may know people have look numerous times for their favorite books like this quand la nuit tombera mm pdf but end up in infectious downloads rather than enjoying a good book with a cup of tea in the afternoon instead

regarder quand tombe la nuit en streaming complet justwatch - Aug 04 2022

web où regarder quand tombe la nuit en streaming vérifiez sa disponibilité sur 23 services vod dont netflix sfr play et ocs go *pdf quand la nuit tombera mm pdf hipertexto udem edu co* - Nov 07 2022

web quand la nuit tombera mm pdf getting the books quand la nuit tombera mm pdf now is not type of challenging means you could not unaided going with books deposit or library or borrowing from your connections to gain access to them this is an definitely simple means to specifically get lead by on line this online statement quand la nuit tombera

quand la nuit tombera mm catherine hermary vieille - Dec 08 2022

web this quand la nuit tombera mm as one of the most on the go sellers here will definitely be in the course of the best options to review explication des ouvrages de peinture sculpture architecture gravure et lithographie des artistes vivants exposés au grand palais des champs Élysées

quand la nuit tombera mm pdf uniport edu - Jul 03 2022

web jun 27 2023 in the same way as this quand la nuit tombera mm but end happening in harmful downloads rather than enjoying a fine pdf once a mug of coffee in the afternoon otherwise they juggled taking into account some harmful virus inside their computer quand la nuit tombera mm is approachable in our digital library an

quand la nuit tombera mm by reru speakings gestamp - Sep 05 2022

web jun 25 2023 boîtier Ø 31 85 mm e 9 25 mm h 30 60 mm lorsque la nuit tombera la draggy lui montrera les étoiles grâce

à son bracelet en textile imprimé d un dragon rouge volant haut dans le ciel lavable en machine à 40 c

quand la nuit tombera mm by reru jetpack theaoi com - Oct 06 2022

web télécharger quand la nuit tombera mm 2019 pdf epub la boule extincteur elide fire la boule extincteur swatch suisse flik flak story time draggy fbnp144 la mforme d une ville tout voyage au bout de la nuit 13 indochine mm mxm bookmark leslibraires fr le premier qui tombera hachette fr ebook quand la nuit tombera de reru e librairie e

lorsque tombe la nuit 2017 film cinoche com - Feb 27 2022

web v o a s t f lorsque tombe la nuit durée 1h37 suspense psychologique États unis 2017 violence une mystérieuse épidémie semble sévir dans le monde paul sa femme sarah et leur fils adolescent travis habitent reclus dans une maison au fond des bois ils ne laissent entrer personne dans leur demeure et ne sortent surtout pas la nuit

quand la nuit tombera mm help environment harvard edu - Jan 29 2022

web quand la nuit tombera mm as recognized adventure as well as experience roughly lesson amusement as well as accord can be gotten by just checking out a books quand la nuit tombera mm also it is not directly done you could put up with even more roughly this life with reference to the world

quand la nuit tombera french edition by reru goodreads - Aug 16 2023

web apr 10 2019 un druide blessé par le massacre de sa meute dix ans plus tôt qui a fermé son cœur à l amour un alpha meurtri par son amant qui l a rejeté et trahi lorsqu il lui a révélé sa vraie nature un monde où la lune la nuit et les étoiles ont disparu laissant la place à un soleil rouge

when the night comes falling from the sky lyrics translate - Apr 12 2023

web oct 24 2016 je n ai pas de réponses simples à te donner je ne vais pas mentir à quelqu un comme toi tu sais tout ce qu il y a à savoir mon amour et il t ira comme un gant quand la nuit tombera quand la nuit tombera quand la nuit tombera du ciel j entends ton cœur affolé qui bat comme le flot d une rivière

quand la nuit tombera mm help environment harvard edu - Jan 09 2023

web quand la nuit tombera mm as recognized adventure as skillfully as experience nearly lesson amusement as capably as pact can be gotten by just checking out a books quand la nuit tombera mm plus it is not directly done you could assume even more regarding this life a propos the world

quand la nuit tombera mm by reru help discoveram - Dec 28 2021

web may 19 2023 quand la nuit tombera mm by reru quand tombera la nuit est un récit fantastique captivant et addictif la romance s intègre à merveille dans une histoire qui mêle mythologie et intrigue à suspens avec la lutte contre les assassins qui menacent la sérénité des meutes sélènes le roman démarre en douceur pour monter en

micromaster 430 siemens - Jun 03 2023

web micromaster 430 7 5 kw 90 kw operating instructions issue 05 02 user documentation regulations of safety code vbg 4 0 must be observed in particular 8 wherever faults occurring in the control equipment can lead to substantial

siemens drive fault codes eltra trade - May 22 2022

web jul 21 2022 if a fault occurs the display of the siemens micromaster 440 inverter will show an error code below are all siemens micromaster 440 manual fault codes f0001 overcurrent f0002 overvoltage

430 opi en 1006 siemens - Aug 05 2023

web micromaster 430 operating instructions 8 6se6400 5ae00 0bp0 notice ¾ keep these operating instructions within easy reach of the equipment and make them available to all users ¾ whenever measuring or testing has to be performed on live equipment the regulations of safety code vbg 4 0 must be observed in particular 8

siemens micro master 440 vfd drive fault code cause also youtube - Apr 20 2022

web aug 17 2021 siemens micro master 440 vfd drive fault code and cause also remedy part 1 in this part we will see this fault code s f0001 f0002 f0003 f0004 f0005 f0011 f0012 f0015 f0020

430 pli en 0705 siemens - Jul 04 2023

web micromaster 430 parameter list issue 07 05 user documentation 6se6400 5af00 0bp0 available documentation for the micromaster 430 getting started guide faults and alarms abbreviations notes issue 07 05 micromaster 430 parameter list 4 6se6400 5af00 0bp0 warning

micromaster mm4 what are the possible causes of f0070 on micromaster - Nov 27 2022

web on micromaster 4 there is only one fault code f0070 for profibus communications failure if the fault is due to failure of communication with the profibus master the led on the profibus module goes orange if it is due to mm to profibus module comes failure it goes red

micromaster 430 siemens - Sep 06 2023

web micromaster 430 parameter list 6se6400 5af00 0bp0 7 1 parameters 1 1 introduction to micromaster 430 system parameters the layout of the parameter description is as follows 1 par number 2 parameter name 9 min index 3 cst at 5 datatype 7 unit 10 def 4 p group 6 active 8 quick comm 11 max 13 description 1 parameter number

micromaster 440 fault codes eltra trade - Feb 16 2022

web oct 27 2023 if your device has ceased to function correctly then you need to look at the display where you will see micromaster 440 fault codes which we have briefly described below f0001 overcurrent f0002 overvoltage f0003 undervoltage f0004 converter overheating f0005 i2t exceeded f0011 engine overheating by i2t

430 com en 0805 siemens - Jan 30 2023

web micromaster 430 2 operating instructions compact warnings cautions and notes the following warnings cautions and

notes are provided for your safety and as a means of preventing damage to the product or components in the machines connected specific warnings cautions and notes that apply to particular

[micromaster 440 param list and fault codes mro electric blog](#) - Mar 20 2022

web apr 28 2017 optimize the functionality of your siemens micromaster 440 by checking out our parameter user and guide to understanding micromaster 440 fault codes press alarms mro electric has new and refurbished micromaster 440 motors in stock

micromaster 440 siemens - Jul 24 2022

web micromaster 440 parameter list 6se6400 5bb00 0bp0 7 1 parameters 1 1 introduction to micromaster 440 system parameters the layout of the parameter description is as follows 1 par number 2 parameter name 9 min index 3 cstat 5 datatype 7 unit 10 def 4 p group 6 active 8 quick comm 11 max 13 description 1 parameter number

[f070 fault code 29193 industry support siemens](#) - Jun 22 2022

web 2 days ago hi can any one advise on a problem i have with micromaster 430 the problem is a fault code f070 profibus fault we have replaced the profibus micromaster module and replaced the profibus plug

siemens micromaster 430 operating instructions manual - May 02 2023

web cb configura tion error micromaster 430 operating instructions 6se6400 5ae00 0bp0 page 88 index 2 parameter settings for output do not correspond to dac type no load is applied to the a0922 inverter no load as a result some functions may applied to not work as under normal load inverter conditions

[mm430 fault code f0023 70228 industry support siemens](#) - Feb 28 2023

web nov 12 2020 when start a fan motor in 2 3second the frequency shown f0023 and motor stop i have checked the motor cable is ok tried doing quick commissioning still the same no improve tried set the motor identification by setting the p1910 1 still same problem

micromaster 440 siemens - Aug 25 2022

web wherever faults occurring in the control equipment can lead to substantial material damage or even grievous bodily injury i e potentially dangerous faults additional external precautions must be taken or facilities provided to ensure or enforce safe operation even when a fault occurs e g independent

[micromaster 440 parameter list and fault codes mro electric](#) - Oct 07 2023

web apr 28 2017 optimize the functionality of your siemens micromaster 440 by checking out our parameter list and guide to understanding micromaster 440 fault codes and alarms mro electric has new and refurbished micromaster 440 drives in stock

[5 faults and alarms nicontrls](#) - Sep 25 2022

web to reset the fault code one of three methods listed below can be used cycle the power to the drive press the button on the bop or aop via digital input 3 default setting fault messages are stored in parameter r0947 under their code number e g f0003 3 the associated error value is found in parameter r0949

[siemens micromaster 430 parameter list inverter drive](#) - Apr 01 2023

web micromaster 430 parameter list 12 6se6400 5af00 0bp0 2 parameters 2 1 introduction to micromaster system parameters the layout of the parameter description is as follows 1 par number 2 parameter name 9 min index 3 cstat 5 datatype 7 unit 10 def 4 p group 6 active 8 quick comm 11 max 13 description 1 parameter number

[mm440 pliste eng 12 01 siemens](#) - Oct 27 2022

web oct 27 2001 micromaster 440 parameter list 6se6400 5bb00 0bp0 7 1 parameters 1 1 introduction to micromaster 440 system parameters the layout of the parameter description is as follows 1 par number 2 parameter name 9 min index 3 cstat 5 datatype 7 unit 10 def 4 p group 6 active 8 quick comm 11 max 13 description 1 parameter

430 opi en 0705 tecdriver - Dec 29 2022

web micromaster 430 documentation getting started guide is for quick commissioning with sdp and bop 2 operating instructions gives information about features of the micromaster 430 installation commissioning control modes system parameter structure troubleshooting specifications and available options of the micromaster