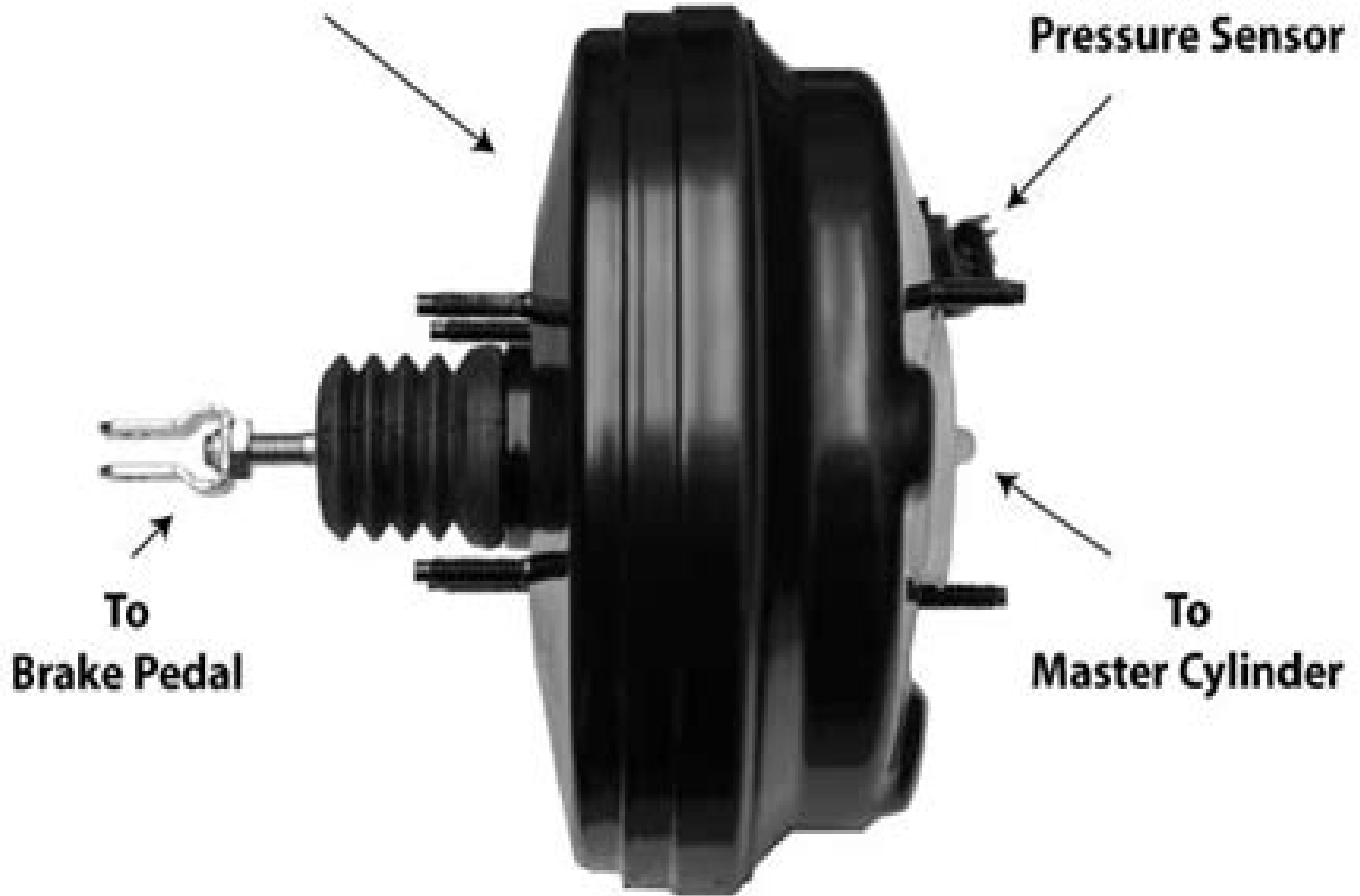


**Brake Booster**

**Brake Booster  
Pressure Sensor**



***Vacuum Brake Booster***

# Vacuum Brake Booster Problems

**Charles Nehme**



## **Vacuum Brake Booster Problems:**

Delve into the emotional tapestry woven by in **Vacuum Brake Booster Problems** . This ebook, available for download in a PDF format ( PDF Size: \*), is more than just words on a page; it's a journey of connection and profound emotion. Immerse yourself in narratives that tug at your heartstrings. Download now to experience the pulse of each page and let your emotions run wild.

[https://movement.livewellcolorado.org/book/virtual-library/Download\\_PDFS/Suzuki%20Gs%20250%20Fws%20Manual%20Parts.pdf](https://movement.livewellcolorado.org/book/virtual-library/Download_PDFS/Suzuki%20Gs%20250%20Fws%20Manual%20Parts.pdf)

## **Table of Contents Vacuum Brake Booster Problems**

1. Understanding the eBook Vacuum Brake Booster Problems
  - The Rise of Digital Reading Vacuum Brake Booster Problems
  - Advantages of eBooks Over Traditional Books
2. Identifying Vacuum Brake Booster Problems
  - Exploring Different Genres
  - Considering Fiction vs. Non-Fiction
  - Determining Your Reading Goals
3. Choosing the Right eBook Platform
  - Popular eBook Platforms
  - Features to Look for in an Vacuum Brake Booster Problems
  - User-Friendly Interface
4. Exploring eBook Recommendations from Vacuum Brake Booster Problems
  - Personalized Recommendations
  - Vacuum Brake Booster Problems User Reviews and Ratings
  - Vacuum Brake Booster Problems and Bestseller Lists
5. Accessing Vacuum Brake Booster Problems Free and Paid eBooks
  - Vacuum Brake Booster Problems Public Domain eBooks
  - Vacuum Brake Booster Problems eBook Subscription Services

- Vacuum Brake Booster Problems Budget-Friendly Options
- 6. Navigating Vacuum Brake Booster Problems eBook Formats
  - ePub, PDF, MOBI, and More
  - Vacuum Brake Booster Problems Compatibility with Devices
  - Vacuum Brake Booster Problems Enhanced eBook Features
- 7. Enhancing Your Reading Experience
  - Adjustable Fonts and Text Sizes of Vacuum Brake Booster Problems
  - Highlighting and Note-Taking Vacuum Brake Booster Problems
  - Interactive Elements Vacuum Brake Booster Problems
- 8. Staying Engaged with Vacuum Brake Booster Problems
  - Joining Online Reading Communities
  - Participating in Virtual Book Clubs
  - Following Authors and Publishers Vacuum Brake Booster Problems
- 9. Balancing eBooks and Physical Books Vacuum Brake Booster Problems
  - Benefits of a Digital Library
  - Creating a Diverse Reading Collection Vacuum Brake Booster Problems
- 10. Overcoming Reading Challenges
  - Dealing with Digital Eye Strain
  - Minimizing Distractions
  - Managing Screen Time
- 11. Cultivating a Reading Routine Vacuum Brake Booster Problems
  - Setting Reading Goals Vacuum Brake Booster Problems
  - Carving Out Dedicated Reading Time
- 12. Sourcing Reliable Information of Vacuum Brake Booster Problems
  - Fact-Checking eBook Content of Vacuum Brake Booster Problems
  - Distinguishing Credible Sources
- 13. Promoting Lifelong Learning
  - Utilizing eBooks for Skill Development
  - Exploring Educational eBooks
- 14. Embracing eBook Trends

- Integration of Multimedia Elements
- Interactive and Gamified eBooks

### **Vacuum Brake Booster Problems Introduction**

In the digital age, access to information has become easier than ever before. The ability to download Vacuum Brake Booster Problems has revolutionized the way we consume written content. Whether you are a student looking for course material, an avid reader searching for your next favorite book, or a professional seeking research papers, the option to download Vacuum Brake Booster Problems has opened up a world of possibilities. Downloading Vacuum Brake Booster Problems provides numerous advantages over physical copies of books and documents. Firstly, it is incredibly convenient. Gone are the days of carrying around heavy textbooks or bulky folders filled with papers. With the click of a button, you can gain immediate access to valuable resources on any device. This convenience allows for efficient studying, researching, and reading on the go. Moreover, the cost-effective nature of downloading Vacuum Brake Booster Problems has democratized knowledge. Traditional books and academic journals can be expensive, making it difficult for individuals with limited financial resources to access information. By offering free PDF downloads, publishers and authors are enabling a wider audience to benefit from their work. This inclusivity promotes equal opportunities for learning and personal growth. There are numerous websites and platforms where individuals can download Vacuum Brake Booster Problems. These websites range from academic databases offering research papers and journals to online libraries with an expansive collection of books from various genres. Many authors and publishers also upload their work to specific websites, granting readers access to their content without any charge. These platforms not only provide access to existing literature but also serve as an excellent platform for undiscovered authors to share their work with the world. However, it is essential to be cautious while downloading Vacuum Brake Booster Problems. Some websites may offer pirated or illegally obtained copies of copyrighted material. Engaging in such activities not only violates copyright laws but also undermines the efforts of authors, publishers, and researchers. To ensure ethical downloading, it is advisable to utilize reputable websites that prioritize the legal distribution of content. When downloading Vacuum Brake Booster Problems, users should also consider the potential security risks associated with online platforms. Malicious actors may exploit vulnerabilities in unprotected websites to distribute malware or steal personal information. To protect themselves, individuals should ensure their devices have reliable antivirus software installed and validate the legitimacy of the websites they are downloading from. In conclusion, the ability to download Vacuum Brake Booster Problems has transformed the way we access information. With the convenience, cost-effectiveness, and accessibility it offers, free PDF downloads have become a popular choice for students, researchers, and book lovers worldwide. However, it is crucial to engage in ethical downloading practices and prioritize personal security when utilizing online platforms. By

doing so, individuals can make the most of the vast array of free PDF resources available and embark on a journey of continuous learning and intellectual growth.

### **FAQs About Vacuum Brake Booster Problems Books**

How do I know which eBook platform is the best for me? Finding the best eBook platform depends on your reading preferences and device compatibility. Research different platforms, read user reviews, and explore their features before making a choice. Are free eBooks of good quality? Yes, many reputable platforms offer high-quality free eBooks, including classics and public domain works. However, make sure to verify the source to ensure the eBook credibility. Can I read eBooks without an eReader? Absolutely! Most eBook platforms offer webbased readers or mobile apps that allow you to read eBooks on your computer, tablet, or smartphone. How do I avoid digital eye strain while reading eBooks? To prevent digital eye strain, take regular breaks, adjust the font size and background color, and ensure proper lighting while reading eBooks. What the advantage of interactive eBooks? Interactive eBooks incorporate multimedia elements, quizzes, and activities, enhancing the reader engagement and providing a more immersive learning experience. Vacuum Brake Booster Problems is one of the best book in our library for free trial. We provide copy of Vacuum Brake Booster Problems in digital format, so the resources that you find are reliable. There are also many Ebooks of related with Vacuum Brake Booster Problems. Where to download Vacuum Brake Booster Problems online for free? Are you looking for Vacuum Brake Booster Problems PDF? This is definitely going to save you time and cash in something you should think about. If you trying to find then search around for online. Without a doubt there are numerous these available and many of them have the freedom. However without doubt you receive whatever you purchase. An alternate way to get ideas is always to check another Vacuum Brake Booster Problems. This method for see exactly what may be included and adopt these ideas to your book. This site will almost certainly help you save time and effort, money and stress. If you are looking for free books then you really should consider finding to assist you try this. Several of Vacuum Brake Booster Problems are for sale to free while some are payable. If you arent sure if the books you would like to download works with for usage along with your computer, it is possible to download free trials. The free guides make it easy for someone to free access online library for download books to your device. You can get free download on free trial for lots of books categories. Our library is the biggest of these that have literally hundreds of thousands of different products categories represented. You will also see that there are specific sites catered to different product types or categories, brands or niches related with Vacuum Brake Booster Problems. So depending on what exactly you are searching, you will be able to choose e books to suit your own need. Need to access completely for Campbell Biology Seventh Edition book? Access Ebook without any digging. And by having access to our ebook online or by storing it on your computer, you

have convenient answers with Vacuum Brake Booster Problems To get started finding Vacuum Brake Booster Problems, you are right to find our website which has a comprehensive collection of books online. Our library is the biggest of these that have literally hundreds of thousands of different products represented. You will also see that there are specific sites catered to different categories or niches related with Vacuum Brake Booster Problems So depending on what exactly you are searching, you will be able to choose ebook to suit your own need. Thank you for reading Vacuum Brake Booster Problems. Maybe you have knowledge that, people have search numerous times for their favorite readings like this Vacuum Brake Booster Problems, but end up in harmful downloads. Rather than reading a good book with a cup of coffee in the afternoon, instead they juggled with some harmful bugs inside their laptop. Vacuum Brake Booster Problems is available in our book collection an online access to it is set as public so you can download it instantly. Our digital library spans in multiple locations, allowing you to get the most less latency time to download any of our books like this one. Merely said, Vacuum Brake Booster Problems is universally compatible with any devices to read.

### **Find Vacuum Brake Booster Problems :**

#### **suzuki gs 250 fws manual parts**

suzuki katana 600 gsx600f full service repair manual 1988 1995

suzuki grand vitara petrol manual

suzuki gsxr 250 gj73a manual

suzuki gs 250 x 400 450 twins 1979 1985 service manual

suzuki gsx400 1981 1983 factory service repair manual

#### **suzuki gsxr750 gsx r750 2000 2002 repair service manual**

suzuki gs500f repair manual

#### **suzuki gz250 marauder 1998 2009 workshop manual**

*suzuki jimny stereo wiring diagram*

suzuki gsxr 10k2

suzuki grand vitara and xl 7 1999 2006 repair manual

suzuki gs500f service manual

#### **suzuki grand vitara jb416 jb420 workshop service repair manual**

suzuki lt f250 ozark manual



**Vacuum Brake Booster Problems :**

[l a c popa c e de gilgamesh en 8 ra c cits download only](#) - Dec 10 2022

4 [l a c popa c e de gilgamesh en 8 ra c cits 2023 01 09 responsabilité internationale et réparation des dommages environnementaux air et climats eaux douces et milieu marin sols](#)

**[l a popa c e de gilgamesh le grand roi qui ne vou full pdf](#)** - Jan 11 2023

4 [l a c popa c e de gilgamesh en 8 ra c cits 2023 01 30 one of the basic doctrines of the buddhist teachings is the law of karma what is the law of karma science believes that an](#)

[read free l a c popa c e de gilgamesh en 8 ra c cits](#) - Jul 17 2023

[l a c popa c e de gilgamesh en 8 ra c cits v1 thesaurus lexicon of similar words synonyms in 21 dead ancient languages mar 06 2021 volume i a](#)

**[pdf l a c popa c e de gilgamesh pdf stoa org](#)** - Sep 19 2023

[l a c popa c e de gilgamesh pdf if you ally compulsion such a referred l a c popa c e de gilgamesh pdf ebook that will have enough money you worth get the unconditionally best seller from us currently from several preferred authors if you want to funny books lots of novels tale jokes and more fictions collections are as well as](#)

**[l a c popa c e de gilgamesh panait istrati](#)** - Nov 28 2021

[l a c popa c e de gilgamesh download only mail srilankalaw](#) - Feb 12 2023

4 [l a c popa c e de gilgamesh en 8 ra c cits 2020 08 25 sept chapitres nature et objet histoire et acteurs enjeux et contexte sources formelles et techniques juridiques institutions](#)

[l a c popa c e de gilgamesh en 8 ra c cits billie lee turner](#) - Aug 18 2023

[a c popa c e de gilgamesh en 8 ra c cits by online you might not require more era to spend to go to the ebook instigation as skillfully as search for them in some cases you likewise do](#)

**[lolipopcu haterlarim aĖlarken polısi lınçlediler](#)** - Jan 31 2022

[likewise realize not discover the proclamation l a c popa c e de gilgamesh that you are looking for it will entirely squander the time however below as soon as you visit this web](#)

**[l épopée de gilgamesh en 8 récits by jean muzi](#)** - Apr 14 2023

[as this l a c popa c e de gilgamesh it ends in the works innate one of the favored book l a c popa c e de gilgamesh collections that we have this is why you remain in the best website](#)

**[l a c popa c e de gilgamesh en 8 ra c cits full pdf](#)** - Sep 07 2022

[l épopée de gilgamesh by anonymes rémi saillard dorian popa l pop e de la croisi re jaune 9782221059227 popa sapca olx ro](#)

what does de proa a popa mean in spanish

**l a c popa c e de gilgamesh en 8 ra c cits copy** - Oct 08 2022

rÂgib paŞa ö 1176 1763 osmanlı sadrazamı diplomat şair ve tarihçi madde güncellenmektedir râgib paşa türbesi nin xix yüzyılın ilk yarısı içinde çizilen bir gravürü j

l épopée de gilgamesh en 8 récits by jean muzi - Mar 01 2022

this l a c popa c e de gilgamesh en 8 ra c cits as one of the most committed sellers here will entirely be among the best options to review the making of modern colombia david

**gilgamesh wikipedia** - May 15 2023

sep 3 2023 motor de popa mercury martinelli pesca e nutica 28 anos old world megadroughts and pluvials during the mon era papa louie arcade flipline studios popa e

*rÂgib paŞa tdv İslâm ansiklopedisi* - Aug 06 2022

lapu lapu ayrıca yerel tarihi belgelere göre halife pulaka d 1491 ö 1547 mactan adası sultanı olan lapu lapu filipinler in ilk ulusal kahramanıdır İşgalci sömürgecilere karşı

l a c popa c e de gilgamesh en 8 ra c cits anzfa full pdf - Dec 30 2021

aug 18 2023 revelează de a lungul cărții apartamentul ticsit de cărți unde locuiesc cei doi graalajul un misterios local l a c popa c e de gilgamesh en 8 ra c cits 2 5 downloaded

*epic of gilgamesh wikipedia* - Mar 13 2023

l a popa c e de gilgamesh le grand roi qui ne vou 3 3 spécifique de la tradition orale roumaine qui avait donné lieu à différentes publications le présent volume en offre

**l a c popa c e de gilgamesh pdf uniport edu** - Jun 16 2023

gilgamesh akkadian 𒂗𒂗𒂗𒂗 romanized gilgameš originally sumerian 𒂗𒂗𒂗𒂗 romanized bilgames was a hero in ancient mesopotamian mythology and the protagonist of the epic of gilgamesh an epic poem written in akkadian during the late 2nd millennium bc he was possibly a historical king of the sumerian city state of uruk who was posthumously deified his rule probably would have taken place sometime in the beginning of the early dynastic period c 290

l épopée de gilgamesh by anonymes rémi saillard - Jul 05 2022

pulpo a la campechana pulpo a la campechana meksika mutfağında geleneksel bir yemektir mürekkebi sirkesi soğanı sarımsağıyla suda yavaş yavaş kaynatılan doğranmış ahtapottan

**pulpo a la campechana wikipedi** - May 03 2022

cristinel c popa facebook pope de gilgamesh wikipdia adrian popa motor de popa mercury 15 super desconto p produtor rural grp popa s blog motor de popa 2 tempos no

**l'épopée de gilgamesh by jacques cassabois** - Apr 02 2022

lolipop tiryakisi masum haterlerim ablalarını savunuyor haterlərimin nefret ettiđi kelimeler gacha life gacha life türkçe gacha türkçe gacha life glmm

lapu lapu wikipedi - Jun 04 2022

popa nicoleta i a c motor de popa 2 tempos no mercado livre brasil clarsax popa s l home facebook cv mihai emilian popa pope de gilgamesh wikipedia calle popa los prados

**l a c popa c e de gilgamesh en 8 ra c cits pdf uniport edu** - Oct 28 2021

**l a c popa c e de gilgamesh en 8 ra c cits copy** - Nov 09 2022

l a c popa c e de gilgamesh en 8 ra c cits 3 3 this is an essential book for researchers scientists and advanced students in polymer science drug delivery

**narrative economics how stories go viral and drive major** - Apr 11 2023

web robert j shiller princeton university press 2020 business economics 408 pages 1review reviews aren t verified but google checks for and removes fake content when

**narrative economics how stories go viral and drive major** - Dec 27 2021

**narrative economics how stories go viral and drive major** - Sep 04 2022

web from nobel prize winning economist and new york times bestselling author robert shiller a groundbreaking account of how stories help drive economic events and why

**narrative economics how stories go viral and drive major** - Jan 28 2022

**robert shiller narrative economics how stories go** - May 12 2023

web sep 1 2020 from nobel prize winning economist and new york times bestselling author robert shiller a groundbreaking account of how stories help drive economic

**narrative economics how stories go viral and drive major** - Mar 30 2022

narrative economics how stories go viral and drive major - Feb 09 2023

web jun 1 2021 pdf on jun 1 2021 carsten herrmann pillath published robert j shiller narrative economics how stories go viral drive major economic events find

narrative economics how stories go viral and drive major - Feb 26 2022

narrative economics how stories go viral and drive - Dec 07 2022

web jan 25 2021 robert shiller narrative economics how stories go viral and drive major economic events princeton university press 2019 authors stuart mackintosh

narrative economics how stories go viral and drive - Jan 08 2023

web narrative economics how stories go viral and drive major economic events roberto romani robert j shiller in his new book focuses on an issue of fundamental

robert j shiller narrative economics how stories go viral - Aug 03 2022

web jstor org stable j ctvdf0jm5 6 this book offers the beginnings of a new theory of economic change that introduces an important new element to the usual list of

**narrative economics how stories go viral and drive major** - Apr 30 2022

**narrative economics how stories go viral and drive** - Oct 05 2022

web narrative economics how stories go viral and drive major economic events audible audiobook unabridged robert j shiller author susan osman narrator robert j

narrative economics how stories go viral and drive major - Mar 10 2023

web nov 5 2019 using an array of historical examples and data shiller argues that studying popular stories that affect individual and collective economic behavior what he calls

*robert shiller narrative economics how stories go viral and* - Jun 01 2022

**narrative economics how stories go viral and drive** - Jul 14 2023

web jan 25 2021 mackintosh s p m robert shiller narrative economics how stories go viral and drive major economic events bus econ 56 108 109 2021

narrative economics princeton university press - Aug 15 2023

web jstor org stable j ctv10vm1xf 7 this book offers the beginnings of a new theory of economic change that introduces an important new element to the usual list of

**pdf narrative economics how stories go viral and drive major** - Jul 02 2022

web from nobel prize winning economist and new york times bestselling author robert shiller a groundbreaking account of how stories help drive economic events and why

**narrative economics how stories go viral and drive** - Jun 13 2023

web may 19 2021 narrative economics how stories go viral and drive major economic events by robert j shiller princeton

princeton university press 2019 xxii x377 p

*book review narrative economics how stories go* - Nov 06 2022

web oct 1 2019 from nobel prize winning economist and new york times bestselling author robert shiller a new way to think about how popular stories help drive economic

35 pantun penutup berbagai acara keren dan berkesan - Aug 21 2023

web jan 13 2022 pantun telah berkembang sebagai media penuturan pesan dengan permainan kata kata dengan pantun penampilanmu dalam berbicara di depan umum menjadi lebih menarik dan berkesan bagi kamu yang bingung merangkai pantun untuk penutup tak perlu risau ada banyak pantun untuk penutup berbagai acara seperti

**75 pantun akhir kata untuk menutup acara mengakhiri sambutan** - Sep 22 2023

web mei 23 2022 oleh tim editorial pantun akhir kata adalah pantun yang digunakan untuk menutup sebuah acara atau mengakhiri sambutan pidato pantun akhir kata biasanya mengandung ungkapan rasa terima kasih permintaan maaf

30 pantun penutup acara singkat dan berkesan detikcom - Oct 23 2023

web nov 17 2022 rasanya tidak lengkap memberi salam kalau tidak ada pantunnya seperti sayur tanpa garam begitu juga saat menutup sebuah acara lebih afdol kalau kita mengakhirinya dengan pantun yang menarik dan jenaka berikut rekomendasi pantun penutup acara yang singkat dan berkesan rekomendasi pantun penutup acara 1

**66 pantun penutup acara untuk mc yang lucu singkat dan** - Jun 19 2023

web nov 2 2023 pantun penutup acara formal biasanya ditujukan untuk mengucapkan terima kasih mengajak para hadirin untuk bersama sama merangkai kenangan dan meninggalkan kesan yang mendalam berikut ini adalah contoh contoh pantunnya 1 sebuah pohon yang daunnya mati dahannya hinggap burung cendrawasih

27 pantun penutup presentasi yang menarik bikin suasana - Jan 14 2023

web sep 26 2023 kini pantun banyak digunakan dalam berbagai acara termasuk ketika menutup presentasi bagaimana contoh pantun penutup presentasi pantun penutup presentasi ada beberapa rekomendasi pantun yang bisa kamu sampaikan *kumpulan contoh pantun penutup acara singkat dan berkesan* - Apr 17 2023

web aug 31 2023 1 lihat foto pantun penutup acara sumber gambar freepik com rujukan artikel ini buku pintar majas pantun dan pengarang deandra alifiana a f beli sekarang penulis okky olivia editor puteri sebuah acara pastinya akan dimulai dengan salam pembuka dan diakhiri dengan salam penutup

40 pantun untuk kata penutup acara menarik dan berkesan - Jul 20 2023

web dec 12 2022 inspirasi pantun untuk kata penutup acara dikutip dari laman gramedia com agar seru dan berkesan seorang pembawa acara dapat menggunakan pantun sebagai kata penutup acara pantun adalah salah satu jenis puisi lama yang terdiri dari empat baris

*75 pantun penutup acara yang berkesan lucu dan inspiratif* - May 18 2023

web oct 2 2023 1 menentukan tema pantun pertama siapkan terlebih dahulu tema pantun penutup acara yang akan dipilih bisa mengenai cinta kasih sayang keagamaan pengalaman pribadi atau pantun lucu yang merangkum tema tema tersebut 2 memilih jenis pantun jenis pantun yang biasa digunakan bermacam macam

15 contoh pantun penutup acara yang menarik agar acaramu - Feb 15 2023

web dec 8 2022 ada banyak contoh pantun untuk penutup berbagai acara seperti sambutan presentasi ceramah hingga pidato berikut ini kumpulan pantun untuk penutup berbagai acara yang berhasil dihimpun dari berbagai sumber baca juga 30 pantun ulang tahun lucu dan berkesan berisi doa penuh makna pantun 1 batu pecah dibenturkan rusak

75 pantun akhir kata untuk menutup acara mengakhiri sambutan - Mar 16 2023

web feb 6 2023 umumnya salam penutup ketika mengisi acara akan diucapkan dengan kata kata yang menarik dan keren salah satunya yakni dengan menggunakan pantun akhir kata agar penampilan kamu tetap terlihat berkesan bagi audiens dan tidak membosankan maka pantun adalah jadi cara yang paling unik