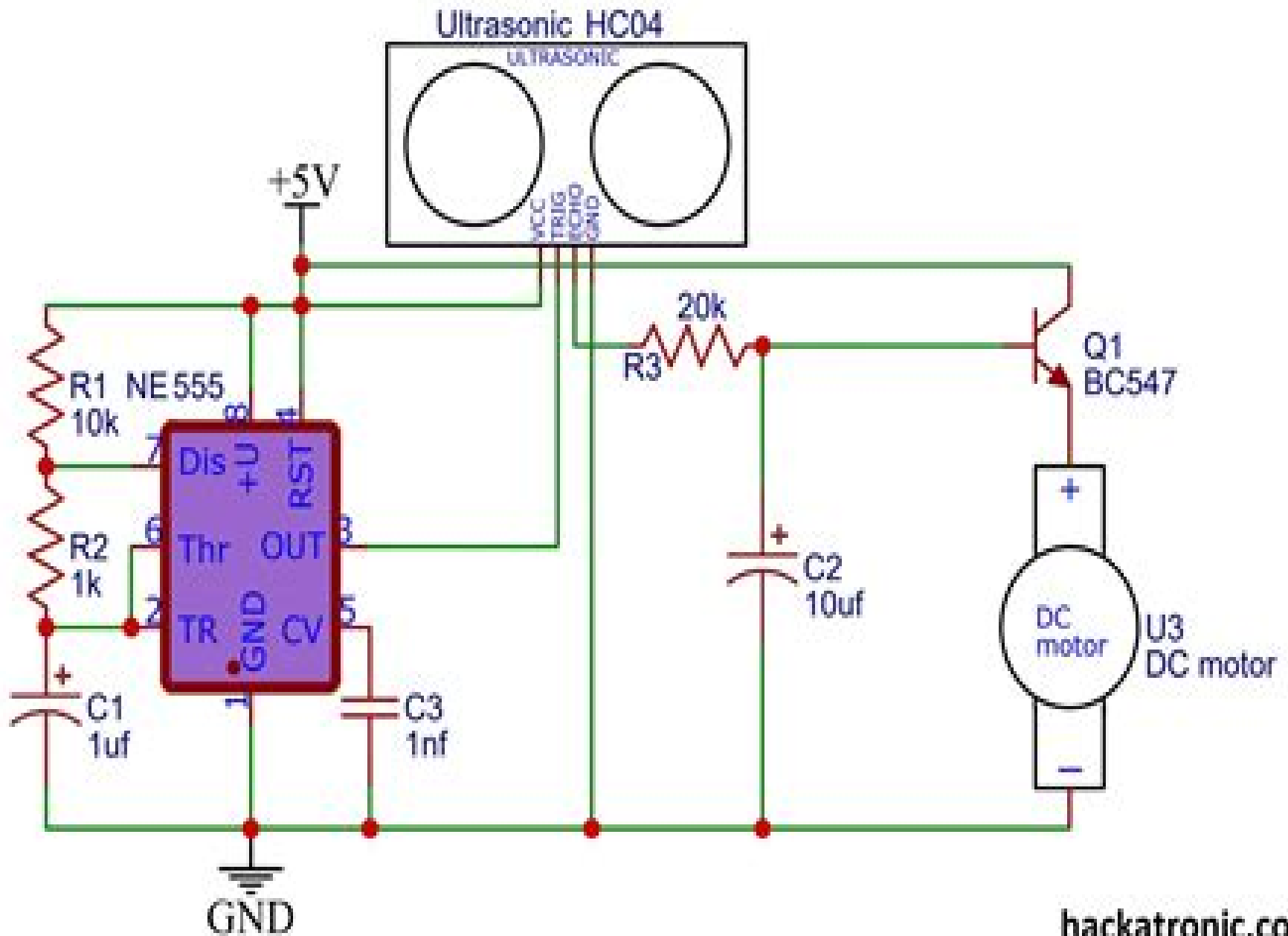


# Ultrasonic Sensor with 555 Timer



# Ultrasonic Motion Detector Circuit Diagram

**Peipei Pang**



**Ultrasonic Motion Detector Circuit Diagram:**

Recognizing the way ways to acquire this books **Ultrasonic Motion Detector Circuit Diagram** is additionally useful. You have remained in right site to begin getting this info. acquire the Ultrasonic Motion Detector Circuit Diagram member that we come up with the money for here and check out the link.

You could buy lead Ultrasonic Motion Detector Circuit Diagram or get it as soon as feasible. You could quickly download this Ultrasonic Motion Detector Circuit Diagram after getting deal. So, subsequently you require the ebook swiftly, you can straight acquire it. Its in view of that completely simple and as a result fats, isnt it? You have to favor to in this melody

[https://movement.livewellcolorado.org/results/virtual-library/Documents/Yamaha\\_It\\_175\\_Service\\_Manual.pdf](https://movement.livewellcolorado.org/results/virtual-library/Documents/Yamaha_It_175_Service_Manual.pdf)

## **Table of Contents Ultrasonic Motion Detector Circuit Diagram**

1. Understanding the eBook Ultrasonic Motion Detector Circuit Diagram
  - The Rise of Digital Reading Ultrasonic Motion Detector Circuit Diagram
  - Advantages of eBooks Over Traditional Books
2. Identifying Ultrasonic Motion Detector Circuit Diagram
  - Exploring Different Genres
  - Considering Fiction vs. Non-Fiction
  - Determining Your Reading Goals
3. Choosing the Right eBook Platform
  - Popular eBook Platforms
  - Features to Look for in an Ultrasonic Motion Detector Circuit Diagram
  - User-Friendly Interface
4. Exploring eBook Recommendations from Ultrasonic Motion Detector Circuit Diagram
  - Personalized Recommendations
  - Ultrasonic Motion Detector Circuit Diagram User Reviews and Ratings
  - Ultrasonic Motion Detector Circuit Diagram and Bestseller Lists
5. Accessing Ultrasonic Motion Detector Circuit Diagram Free and Paid eBooks

- Ultrasonic Motion Detector Circuit Diagram Public Domain eBooks
  - Ultrasonic Motion Detector Circuit Diagram eBook Subscription Services
  - Ultrasonic Motion Detector Circuit Diagram Budget-Friendly Options
6. Navigating Ultrasonic Motion Detector Circuit Diagram eBook Formats
    - ePub, PDF, MOBI, and More
    - Ultrasonic Motion Detector Circuit Diagram Compatibility with Devices
    - Ultrasonic Motion Detector Circuit Diagram Enhanced eBook Features
  7. Enhancing Your Reading Experience
    - Adjustable Fonts and Text Sizes of Ultrasonic Motion Detector Circuit Diagram
    - Highlighting and Note-Taking Ultrasonic Motion Detector Circuit Diagram
    - Interactive Elements Ultrasonic Motion Detector Circuit Diagram
  8. Staying Engaged with Ultrasonic Motion Detector Circuit Diagram
    - Joining Online Reading Communities
    - Participating in Virtual Book Clubs
    - Following Authors and Publishers Ultrasonic Motion Detector Circuit Diagram
  9. Balancing eBooks and Physical Books Ultrasonic Motion Detector Circuit Diagram
    - Benefits of a Digital Library
    - Creating a Diverse Reading Collection Ultrasonic Motion Detector Circuit Diagram
  10. Overcoming Reading Challenges
    - Dealing with Digital Eye Strain
    - Minimizing Distractions
    - Managing Screen Time
  11. Cultivating a Reading Routine Ultrasonic Motion Detector Circuit Diagram
    - Setting Reading Goals Ultrasonic Motion Detector Circuit Diagram
    - Carving Out Dedicated Reading Time
  12. Sourcing Reliable Information of Ultrasonic Motion Detector Circuit Diagram
    - Fact-Checking eBook Content of Ultrasonic Motion Detector Circuit Diagram
    - Distinguishing Credible Sources
  13. Promoting Lifelong Learning
    - Utilizing eBooks for Skill Development

- Exploring Educational eBooks
14. Embracing eBook Trends
- Integration of Multimedia Elements
  - Interactive and Gamified eBooks

### **Ultrasonic Motion Detector Circuit Diagram Introduction**

In today's digital age, the availability of Ultrasonic Motion Detector Circuit Diagram books and manuals for download has revolutionized the way we access information. Gone are the days of physically flipping through pages and carrying heavy textbooks or manuals. With just a few clicks, we can now access a wealth of knowledge from the comfort of our own homes or on the go. This article will explore the advantages of Ultrasonic Motion Detector Circuit Diagram books and manuals for download, along with some popular platforms that offer these resources. One of the significant advantages of Ultrasonic Motion Detector Circuit Diagram books and manuals for download is the cost-saving aspect. Traditional books and manuals can be costly, especially if you need to purchase several of them for educational or professional purposes. By accessing Ultrasonic Motion Detector Circuit Diagram versions, you eliminate the need to spend money on physical copies. This not only saves you money but also reduces the environmental impact associated with book production and transportation. Furthermore, Ultrasonic Motion Detector Circuit Diagram books and manuals for download are incredibly convenient. With just a computer or smartphone and an internet connection, you can access a vast library of resources on any subject imaginable. Whether you're a student looking for textbooks, a professional seeking industry-specific manuals, or someone interested in self-improvement, these digital resources provide an efficient and accessible means of acquiring knowledge. Moreover, PDF books and manuals offer a range of benefits compared to other digital formats. PDF files are designed to retain their formatting regardless of the device used to open them. This ensures that the content appears exactly as intended by the author, with no loss of formatting or missing graphics. Additionally, PDF files can be easily annotated, bookmarked, and searched for specific terms, making them highly practical for studying or referencing. When it comes to accessing Ultrasonic Motion Detector Circuit Diagram books and manuals, several platforms offer an extensive collection of resources. One such platform is Project Gutenberg, a nonprofit organization that provides over 60,000 free eBooks. These books are primarily in the public domain, meaning they can be freely distributed and downloaded. Project Gutenberg offers a wide range of classic literature, making it an excellent resource for literature enthusiasts. Another popular platform for Ultrasonic Motion Detector Circuit Diagram books and manuals is Open Library. Open Library is an initiative of the Internet Archive, a non-profit organization dedicated to digitizing cultural artifacts and making them accessible to the public. Open Library hosts millions of books, including both public domain works and contemporary titles. It also allows users to borrow digital copies of

certain books for a limited period, similar to a library lending system. Additionally, many universities and educational institutions have their own digital libraries that provide free access to PDF books and manuals. These libraries often offer academic texts, research papers, and technical manuals, making them invaluable resources for students and researchers. Some notable examples include MIT OpenCourseWare, which offers free access to course materials from the Massachusetts Institute of Technology, and the Digital Public Library of America, which provides a vast collection of digitized books and historical documents. In conclusion, Ultrasonic Motion Detector Circuit Diagram books and manuals for download have transformed the way we access information. They provide a cost-effective and convenient means of acquiring knowledge, offering the ability to access a vast library of resources at our fingertips. With platforms like Project Gutenberg, Open Library, and various digital libraries offered by educational institutions, we have access to an ever-expanding collection of books and manuals. Whether for educational, professional, or personal purposes, these digital resources serve as valuable tools for continuous learning and self-improvement. So why not take advantage of the vast world of Ultrasonic Motion Detector Circuit Diagram books and manuals for download and embark on your journey of knowledge?

### **FAQs About Ultrasonic Motion Detector Circuit Diagram Books**

How do I know which eBook platform is the best for me? Finding the best eBook platform depends on your reading preferences and device compatibility. Research different platforms, read user reviews, and explore their features before making a choice. Are free eBooks of good quality? Yes, many reputable platforms offer high-quality free eBooks, including classics and public domain works. However, make sure to verify the source to ensure the eBook credibility. Can I read eBooks without an eReader? Absolutely! Most eBook platforms offer web-based readers or mobile apps that allow you to read eBooks on your computer, tablet, or smartphone. How do I avoid digital eye strain while reading eBooks? To prevent digital eye strain, take regular breaks, adjust the font size and background color, and ensure proper lighting while reading eBooks. What the advantage of interactive eBooks? Interactive eBooks incorporate multimedia elements, quizzes, and activities, enhancing the reader engagement and providing a more immersive learning experience. Ultrasonic Motion Detector Circuit Diagram is one of the best book in our library for free trial. We provide copy of Ultrasonic Motion Detector Circuit Diagram in digital format, so the resources that you find are reliable. There are also many Ebooks of related with Ultrasonic Motion Detector Circuit Diagram. Where to download Ultrasonic Motion Detector Circuit Diagram online for free? Are you looking for Ultrasonic Motion Detector Circuit Diagram PDF? This is definitely going to save you time and cash in something you should think about.

**Find Ultrasonic Motion Detector Circuit Diagram :**

[yamaha it 175 service manual](#)

**yamaha grizzly 350 4wd full service repair manual 2003 2010**

[yamaha classical guitar grade 5](#)

[yamaha fzs waverunner manual](#)

**yamaha golf cart service manual ydra drive**

**yamaha fjr1300a fjr1300as shop manual 2009 2014**

[yamaha ls2000 owners manual](#)

**yamaha it175 repair manual**

[yamaha dx7 user manual](#)

**yamaha jog r 50cc 07 manual**

**yamaha htr 5140 manual**

~~[yamaha golf cart jn6 manual](#)~~

[yamaha dt 21998](#)

~~[yamaha dvx s303 home theater systems owners manual](#)~~

**yamaha fjr1300 fjr1300n 2001 2005 workshop service manual**

**Ultrasonic Motion Detector Circuit Diagram :**

**f5 int study text acca 2013 kaplan full pdf legacy theoec** - Oct 24 2022

web acca performance management pm study text 2022 23 acca 2022 23 acca approved f5 performance management september 2017 to june 2018 exams fia

**f5 int study text acca 2013 kaplan full pdf api calvertfoundation** - Nov 24 2022

web acca f5 study material pdf full view download acca performance management pm study text 2022 23 acca 2022 23 acca p2 corporate reporting international

**kaplan acca f5 study text 2013 copy** - Sep 03 2023

web a study text designed for part one of the acca professional examinations in accountancy the acca study text books combine a focus on the exam clear format and useful

[acca f5 study text 2013 pdf kaplan download only](#) - Jul 01 2023

web may 5 2023 books like this acca f5 study text 2013 pdf but end taking place in harmful downloads rather than enjoying



a good pdf taking into account a cup of coffee in the afternoon then again they juggled when some harmful virus inside their computer acca f5 study text 2013 pdf is welcoming in our digital library an online

[f5 int study text acca 2013 kaplan pdf analytics mirowin](#) - Nov 12 2021

web the examining team reviewed f5 study text covers all the relevant acca f5 syllabus topics it contains step by step guides to performance management techniques such as

[acca f5 kaplan study text book learn copyblogger](#) - Apr 17 2022

web embracing the song of phrase an psychological symphony within acca f5 kaplan study text in a global eaten by displays and the ceaseless chatter of quick communication the

**f5 int study text acca 2013 kaplan pdf dotnbm** - Jun 19 2022

web 4 f5 int study text acca 2013 kaplan 2021 01 01 regulating studying or teaching ifrs written by eys financial reporting professionals from around the world this three volume guide to reporting under ifrs provides a global perspective on

**kaplan acca f5 study text 2013 pdf spyder adecco** - Jul 21 2022

web we provide kaplan acca f5 study text 2013 and numerous books collections from fictions to scientific research in any way in the middle of them is this kaplan acca f5

[f5 kaplan study text acca globalbox](#) - Oct 04 2023

web topics to revise all questions are compulsory so you must revise the entire syllabus since the exam includes 15 multiple choice questions candidates should expect questions to

[p5 kaplan study text acca globalbox](#) - Sep 22 2022

web p5 study text study p5 as the name implies this exam tests advanced performance management issues and parts and is especially suitable for those candidates who are

**kaplan acca f5 study text 2013 stage gapinc** - Mar 17 2022

web kaplan a study text designed for part one of the acca professional examinations in accountancy the acca study text books combine a focus on the exam clear format and useful learning tools and take full account of topics in the acca s syllabus dipifr diploma in international financial reporting bpp learning media

**kaplan acca f5 study text 2013 download only** - May 31 2023

web 2 kaplan acca f5 study text 2013 2022 02 04 for cbe papers only are subject to a thorough acca examining team review our suite of study tools will provide you with all

[kaplan acca f5 study text 2013 copy graph safehousetech](#) - Mar 29 2023

web kaplan acca f5 study text 2013 1 kaplan acca f5 study text 2013 acca financial management acca advanced performance management acca approved f5

[kaplan acca f5 study text 2013 pdf](#) - Feb 25 2023

web kaplan acca f5 study text 2013 yeah reviewing a book kaplan acca f5 study text 2013 could accumulate your close links listings this is just one of the solutions for you to be successful as understood ability does not suggest that you have fabulous points

**acca f5 pm kaplan study text download economic** - Jan 27 2023

web mar 16 2021 if you re looking to download kaplan book for paper pm f5 you can do so by clicking the download button below the f5 pm study text uploaded is in pdf format

**f5 int study text acca 2013 kaplan download or read online** - Aug 22 2022

web nov 27 2020 f5 int study text acca 2013 kaplan acca f5 performance management introduction studying for the f5 exam the content of this knowledge bank is not

[kaplan acca p1 study text pdf free download docplayer](#) - May 19 2022

web 1 kaplan acca p1 free pdf ebook download kaplan acca p1 download or read online ebook kaplan acca p1 study text in pdf format from the best user guide database

**f3 kaplan study text acca globalbox** - Dec 14 2021

web the computer based examination especially this f3 financial accounting contains 35 objective test questions multiple response multiple choice number entry and 3 longer

[acca f5 study materials economic grapevine](#) - Feb 13 2022

web aug 1 2021 what s in the notes it s a 578 pager bpp study text for paper f5 acca in pdf format the study text covers the full syllabus of paper f5 if unable to download

[kaplan acca f5 study text 2013 pdf pdf pod kylemcdonald](#) - Dec 26 2022

web introduction kaplan acca f5 study text 2013 pdf pdf sustainable development and social responsibility volume 2 ahmed n al masri 2020 01 13 this book gathers high quality research papers presented at the 2nd aue international research conference aueirc 2018 which was organized by the american university in the emirates dubai

**f5 int study text acca 2013 kaplan book accounts ceu social** - Jan 15 2022

web this extraordinary book aptly titled f5 int study text acca 2013 kaplan published by a very acclaimed author immerses readers in a captivating exploration of the significance

[kaplan acca f5 study text 2013 copy assets ceu social](#) - Aug 02 2023

web enter the realm of kaplan acca f5 study text 2013 a mesmerizing literary masterpiece penned with a distinguished author guiding readers on a profound journey to unravel the

[acca f5 study text 2013 kaplan pdf ctwelland clearfit com](#) - Apr 29 2023

web as an acca approved content provider bpp learning media s suite of study tools will provide you with all the accurate and up to date material you need for exam success acca strategic business leader bpp learning media 2019 strategic business reporting study text kaplan 2021 acca f5 study material

**probability and stochastic processes google books** - Feb 08 2023

web roy d yates david j goodman wiley 2005 mathematics 519 pages this user friendly resource will help you grasp the concepts of probability and stochastic processes so you can apply them in professional engineering practice

*probability and stochastic processes google books* - Apr 10 2023

web may 12 2014 probability and stochastic processes a friendly introduction for electrical and computer engineers roy d yates david j goodman wiley may 12 2014 mathematics 480 pages this text

**pdf probability and stochastic processes 2nd roy d yates** - Apr 29 2022

web the book is intended as a beginning text in stochastic processes for students familiar with elementary probability theory the objectives of the book are threefold 1 to introduce students to use standard concepts and methods of stochastic process 2 to illustrate the diversity of applications of stochastic processes 3

*probability and stochastic processes a by yates roy d* - Jul 13 2023

web may 20 2004 maintaining their highly popular user friendly approach roy yates and david goodman demystify probability unlike any other text today the authors help you develop an intuitive grasp of the principles of probability and stochastic processes allowing you to successfully solve basic engineering problems using these principles

**probability and stochastic processes by roy d yates open library** - May 31 2022

web oct 18 2022 details reviews lists related books last edited by importbot october 18 2022 history edit an edition of probability and stochastic processes 1998 probability and stochastic processes a friendly introduction for electrical and computer engineers 2nd ed by roy d yates and david j goodman 0 ratings 3 want to read 2 currently reading

*probability and stochastic processes a friendly introduction for* - Mar 09 2023

web probability and stochastic processes a friendly introduction for electrical and computer engineers 3e roy d yates rutgers university david j goodman new york university john wiley sons inc 2014 isbn 978 1 118 32456 1 language english

*probability and stochastic processes google books* - Sep 15 2023

web jan 28 2014 probability and stochastic processes a friendly introduction for electrical and computer engineers roy d yates david j goodman john wiley sons jan 28 2014 mathematics 512 pages this

*probability and stochastic processes a friendly introduction for* - Jun 12 2023

web get full access to probability and stochastic processes a friendly introduction for electrical and computer engineers 3rd edition and 60k other titles with a free 10 day trial of o reilly there are also live events courses curated by job role and more

**yates goodman probability and stochastic processes a** - Nov 05 2022

web yates goodman probability and stochastic processes a friendly introduction for electrical and computer engineers 2nd edition instructor companion site

**probability and stochastic processes academia edu** - Jul 01 2022

web two objectives are sought the first is to give the reader the ability to solve a large number of problems related to probability theory including application problems in a variety of disciplines the second was to prepare the reader before he approached the manual on the mathematical foundations of probability theory

**probability and stochastic processes google books** - Oct 04 2022

web probability and stochastic processes a friendly introduction for electrical roy d yates david j goodman google books this text introduces engineering students to probability theory and stochastic processes

**probability and stochastic processes bucknell** - Oct 16 2023

web probability and stochastic processes a friendly introduction for electrical and computer engineers roy d yates rutgers the state university of new jersey david j goodman rutgers the state university of new jersey john wiley sons inc new york chichester weinheim brisbane singapore toronto

**probability and stochastic processes a friendly introduction for** - Dec 06 2022

web jan 6 2014 in probability and stochastic processes a friendly introduction for electrical and computer engineers readers are able to grasp the concepts of probability and stochastic processes

*probability and stochastic processes a friendly introduction for* - Aug 02 2022

web english xvii 519 pages 25 cm maintaining their user friendly approach roy yates and david goodman demystify probability the authors help you develop an intuitive grasp of the principles of probability and stochastic processes allowing you to successfully solve basic engineering problems using these principles with a smile

**probability and stochastic processes a friendly introduction for** - Feb 25 2022

web probability and stochastic processes a friendly introduction for electrical and computer engineers solutions to the odd numbered problems author roy d yates david j goodman david famolari category mathematics probability language english isbn 1118324560 9781118324561 year 2014 pages 400 file size 3 6 mb total

**yates goodman probability and stochastic processes a** - Aug 14 2023

web welcome to the web site for probability and stochastic processes a friendly introduction for electrical and computer engineers 3rd edition by roy d yates and david j goodman this web site gives you access to

[probability and stochastic processes 3e integrated textbook](#) - Jan 07 2023

web with a sophisticated approach probability and stochastic processes with solutions manual enhanced etext 3rd edition

successfully balances theory and applications in a pedagogical and accessible format the book's primary focus is on key theoretical notions in probability to provide a foundation for understanding concepts and examples

[probability and stochastic processes a friendly introduction for](#) - May 11 2023

web this text introduces engineering students to probability theory and stochastic processes along with thorough mathematical development of the subject the book presents intuitive explanations of key points in order to give students the insights they need to apply math to practical engineering problems

**probability and stochastic processes semantic scholar** - Mar 29 2022

web aug 13 1998 inproceedings mathar1998probabilityas title probability and stochastic processes author rudolf mathar and roy d yates and david j goodman year 1998 url api.semanticscholar.org/corpusid/124544433

**probability and stochastic processes a friendly introduction for** - Sep 03 2022

web feb 10 2014 probability and stochastic processes a friendly introduction for electrical and computer engineers 3rd edition kindle edition by yates roy d download it once and read it on your kindle device pc phones or tablets use features like bookmarks note taking and highlighting while reading probability and stochastic processes a friendly

**murder on the moor a drew farthing mystery book 5 kindle** - Jan 09 2023

web murder on the moor a drew farthing mystery book 5 ebook deering julianna amazon.com.au/kindle-store

**murder on the moor a drew farthing mystery** - Oct 06 2022

web aug 12 2023 when mysterious incidents begin occurring on a moor in yorkshire an old friend begs drew for help at first it seems to be simply bad luck fires started livestock scattered but then the vicar is murdered

*murder on the moor a drew farthing mystery paperback* - Dec 08 2022

web her series of drew farthing mysteries set in 1930s england debuted from bethany house with rules of murder 2013 and is followed by death by the book and murder at the mikado 2014 dressed for death 2016 and murder

*murder at the mikado a drew farthing mystery book 3 apple books* - Feb 27 2022

web at the start of deering's appealing third mystery set in 1930s england after death by the book drew farthing and his fianc e madeline parker are preparing for their wedding when fleur landis an old flame of drew's reenters his life

**book review murder on the moor by the book** - May 01 2022

web oct 16 2017 16 oct mystery awaits on the mysterious yorkshire moors at the urgent request of an old school friend drew and madeline farthing come to bloodworth park lodge in the midst of the yorkshire moors a place as moody and mysterious as

**murder on the moor a drew farthing mystery book 5 kindle** - Jul 15 2023

web murder on the moor by julianna deering is a historical murder mystery it is the fifth book in the drew farthing series

but can be read as a stand alone set in the years following the great war murder on the moor is written in a style reminiscent of p g wodehouse sherlock holmes and rebecca all rolled into one

**loading interface goodreads** - Mar 31 2022

web discover and share books you love on goodreads

**murder on the moor a drew farthing mystery softcover** - Jul 03 2022

web murder on the moor a drew farthing mystery softcover deering julianna 4 08 avg rating 499 ratings by goodreads isbn 10 076421828x isbn 13 9780764218286 publisher bethany house publishers 2017 this specific isbn edition is currently not available view all copies of this isbn edition synopsis about this title

murder on the moor a drew farthing mystery publishers weekly - Feb 10 2023

web julianna deering bethany house 15 99 trade paper 188p isbn 978 0 7642 1828 6 in deering s winning fourth mystery set in 1930s england after 2014 s murder at the mikado hubert beaky

murder on the moor a drew farthing mystery book 5 ebooks - Sep 05 2022

web mystery awaits on the mysterious yorkshire moors at the urgent request of an old school friend drew and madeline farthing come to bloodworth park lodge in the midst of the yorkshire moors a place as moody and mysterious as a brontë hero

**drew farthing mystery series by julianna deering goodreads** - May 13 2023

web murder on the moor by julianna deering 4 08 499 ratings 143 reviews published 2017 4 editions mystery awaits on the mysterious yorkshire moors at

**murder on the moor a drew farthing mystery paperback** - Apr 12 2023

web buy murder on the moor a drew farthing mystery by deering julianna isbn 9780764218286 from amazon s book store everyday low prices and free delivery on eligible orders murder on the moor a drew farthing mystery amazon co uk deering julianna 9780764218286 books

murder on the moor a drew farthing mystery book 5 apple books - Mar 11 2023

web mystery awaits on the mysterious yorkshire moors at the urgent request of an old school friend drew and madeline farthing come to bloodworth park lodge in the midst of the yorkshire moors a place as moody and mysterious as a brontë hero there have been several worrisome incide

murder on the moor a drew farthing mystery book 5 ebook - Nov 07 2022

web murder on the moor a drew farthing mystery book 5 ebook deering julianna amazon ca books

**murder on the moor a drew farthing mystery amazon in** - Jun 02 2022

web murder on the moor a drew farthing mystery deering julianna amazon in books

**murder on the moor drew farthing mystery ciltli kapak** - Jun 14 2023

web murder on the moor drew farthing mystery deering julianna amazon com tr kitap

*murder on the moor a drew farthing mystery book 5* - Aug 16 2023

web jan 31 2017 murder on the moor a drew farthing mystery book 5 kindle edition at the urgent request of an old school friend drew and madeline farthing come to bloodworth park lodge in the midst of the yorkshire moors a place as moody and mysterious as a brontë hero

**murder on the moor drew farthing mystery hardcover** - Aug 04 2022

web at the urgent request of an old school friend drew and madeline farthing come to bloodworth park lodge in the midst of the yorkshire moors a place as moody and mysterious as a brontë hero there have been several worrisome incidents around those lonesome rolling hills property desecrated fires started sheep and cattle scattered

**murder on the moor a drew farthing mystery amazon com** - Jan 29 2022

web jan 31 2017 mystery awaits on the mysterious yorkshire moors at the urgent request of an old school friend drew and madeline farthing come to bloodworth park lodge in the midst of the yorkshire moors a place as moody and mysterious as a brontë hero there have been several worrisome incidents out on the moor property destroyed fires

**murder on the moor drew farthing mystery library binding** - Dec 28 2021

web murder on the moor by julianna deering is a historical murder mystery it is the fifth book in the drew farthing series but can be read as a stand alone set in the years following the great war murder on the moor is written in a style reminiscent of p g wodehouse sherlock holmes and rebecca all rolled into one