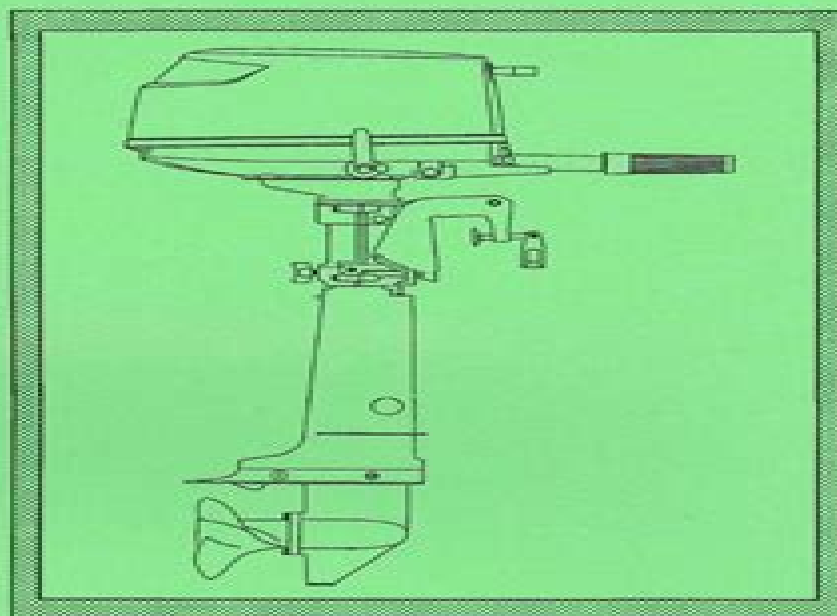


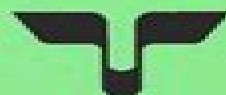
**TOHATSU**  
*OUTBOARD*



**SERVICE  
MANUAL**

4-Stroke Cycle

**5**



TOHATSU CORPORATION

# Tohatsu Service Manual 4hk

**R Barnett**



## **Tohatsu Service Manual 4hk:**

Right here, we have countless books **Tohatsu Service Manual 4hk** and collections to check out. We additionally allow variant types and as well as type of the books to browse. The enjoyable book, fiction, history, novel, scientific research, as with ease as various supplementary sorts of books are readily to hand here.

As this Tohatsu Service Manual 4hk, it ends up visceral one of the favored book Tohatsu Service Manual 4hk collections that we have. This is why you remain in the best website to look the amazing ebook to have.

<https://movement.livewellcolorado.org/public/uploaded-files/Documents/Volvo%20S40%201999%20Manual.pdf>

## **Table of Contents Tohatsu Service Manual 4hk**

1. Understanding the eBook Tohatsu Service Manual 4hk
  - The Rise of Digital Reading Tohatsu Service Manual 4hk
  - Advantages of eBooks Over Traditional Books
2. Identifying Tohatsu Service Manual 4hk
  - Exploring Different Genres
  - Considering Fiction vs. Non-Fiction
  - Determining Your Reading Goals
3. Choosing the Right eBook Platform
  - Popular eBook Platforms
  - Features to Look for in an Tohatsu Service Manual 4hk
  - User-Friendly Interface
4. Exploring eBook Recommendations from Tohatsu Service Manual 4hk
  - Personalized Recommendations
  - Tohatsu Service Manual 4hk User Reviews and Ratings
  - Tohatsu Service Manual 4hk and Bestseller Lists
5. Accessing Tohatsu Service Manual 4hk Free and Paid eBooks
  - Tohatsu Service Manual 4hk Public Domain eBooks

- Tohatsu Service Manual 4hk eBook Subscription Services
- Tohatsu Service Manual 4hk Budget-Friendly Options
- 6. Navigating Tohatsu Service Manual 4hk eBook Formats
  - ePub, PDF, MOBI, and More
  - Tohatsu Service Manual 4hk Compatibility with Devices
  - Tohatsu Service Manual 4hk Enhanced eBook Features
- 7. Enhancing Your Reading Experience
  - Adjustable Fonts and Text Sizes of Tohatsu Service Manual 4hk
  - Highlighting and Note-Taking Tohatsu Service Manual 4hk
  - Interactive Elements Tohatsu Service Manual 4hk
- 8. Staying Engaged with Tohatsu Service Manual 4hk
  - Joining Online Reading Communities
  - Participating in Virtual Book Clubs
  - Following Authors and Publishers Tohatsu Service Manual 4hk
- 9. Balancing eBooks and Physical Books Tohatsu Service Manual 4hk
  - Benefits of a Digital Library
  - Creating a Diverse Reading Collection Tohatsu Service Manual 4hk
- 10. Overcoming Reading Challenges
  - Dealing with Digital Eye Strain
  - Minimizing Distractions
  - Managing Screen Time
- 11. Cultivating a Reading Routine Tohatsu Service Manual 4hk
  - Setting Reading Goals Tohatsu Service Manual 4hk
  - Carving Out Dedicated Reading Time
- 12. Sourcing Reliable Information of Tohatsu Service Manual 4hk
  - Fact-Checking eBook Content of Tohatsu Service Manual 4hk
  - Distinguishing Credible Sources
- 13. Promoting Lifelong Learning
  - Utilizing eBooks for Skill Development
  - Exploring Educational eBooks

## 14. Embracing eBook Trends

- Integration of Multimedia Elements
- Interactive and Gamified eBooks

### **Tohatsu Service Manual 4hk Introduction**

Tohatsu Service Manual 4hk Offers over 60,000 free eBooks, including many classics that are in the public domain. Open Library: Provides access to over 1 million free eBooks, including classic literature and contemporary works. Tohatsu Service Manual 4hk Offers a vast collection of books, some of which are available for free as PDF downloads, particularly older books in the public domain. Tohatsu Service Manual 4hk : This website hosts a vast collection of scientific articles, books, and textbooks. While it operates in a legal gray area due to copyright issues, its a popular resource for finding various publications. Internet Archive for Tohatsu Service Manual 4hk : Has an extensive collection of digital content, including books, articles, videos, and more. It has a massive library of free downloadable books. Free-eBooks Tohatsu Service Manual 4hk Offers a diverse range of free eBooks across various genres. Tohatsu Service Manual 4hk Focuses mainly on educational books, textbooks, and business books. It offers free PDF downloads for educational purposes. Tohatsu Service Manual 4hk Provides a large selection of free eBooks in different genres, which are available for download in various formats, including PDF. Finding specific Tohatsu Service Manual 4hk, especially related to Tohatsu Service Manual 4hk, might be challenging as theyre often artistic creations rather than practical blueprints. However, you can explore the following steps to search for or create your own Online Searches: Look for websites, forums, or blogs dedicated to Tohatsu Service Manual 4hk, Sometimes enthusiasts share their designs or concepts in PDF format. Books and Magazines Some Tohatsu Service Manual 4hk books or magazines might include. Look for these in online stores or libraries. Remember that while Tohatsu Service Manual 4hk, sharing copyrighted material without permission is not legal. Always ensure youre either creating your own or obtaining them from legitimate sources that allow sharing and downloading. Library Check if your local library offers eBook lending services. Many libraries have digital catalogs where you can borrow Tohatsu Service Manual 4hk eBooks for free, including popular titles. Online Retailers: Websites like Amazon, Google Books, or Apple Books often sell eBooks. Sometimes, authors or publishers offer promotions or free periods for certain books. Authors Website Occasionally, authors provide excerpts or short stories for free on their websites. While this might not be the Tohatsu Service Manual 4hk full book , it can give you a taste of the authors writing style. Subscription Services Platforms like Kindle Unlimited or Scribd offer subscription-based access to a wide range of Tohatsu Service Manual 4hk eBooks, including some popular titles.

## FAQs About Tohatsu Service Manual 4hk Books

How do I know which eBook platform is the best for me? Finding the best eBook platform depends on your reading preferences and device compatibility. Research different platforms, read user reviews, and explore their features before making a choice. Are free eBooks of good quality? Yes, many reputable platforms offer high-quality free eBooks, including classics and public domain works. However, make sure to verify the source to ensure the eBook credibility. Can I read eBooks without an eReader? Absolutely! Most eBook platforms offer webbased readers or mobile apps that allow you to read eBooks on your computer, tablet, or smartphone. How do I avoid digital eye strain while reading eBooks? To prevent digital eye strain, take regular breaks, adjust the font size and background color, and ensure proper lighting while reading eBooks. What the advantage of interactive eBooks? Interactive eBooks incorporate multimedia elements, quizzes, and activities, enhancing the reader engagement and providing a more immersive learning experience. Tohatsu Service Manual 4hk is one of the best book in our library for free trial. We provide copy of Tohatsu Service Manual 4hk in digital format, so the resources that you find are reliable. There are also many Ebooks of related with Tohatsu Service Manual 4hk. Where to download Tohatsu Service Manual 4hk online for free? Are you looking for Tohatsu Service Manual 4hk PDF? This is definitely going to save you time and cash in something you should think about. If you trying to find then search around for online. Without a doubt there are numerous these available and many of them have the freedom. However without doubt you receive whatever you purchase. An alternate way to get ideas is always to check another Tohatsu Service Manual 4hk. This method for see exactly what may be included and adopt these ideas to your book. This site will almost certainly help you save time and effort, money and stress. If you are looking for free books then you really should consider finding to assist you try this. Several of Tohatsu Service Manual 4hk are for sale to free while some are payable. If you arent sure if the books you would like to download works with for usage along with your computer, it is possible to download free trials. The free guides make it easy for someone to free access online library for download books to your device. You can get free download on free trial for lots of books categories. Our library is the biggest of these that have literally hundreds of thousands of different products categories represented. You will also see that there are specific sites catered to different product types or categories, brands or niches related with Tohatsu Service Manual 4hk. So depending on what exactly you are searching, you will be able to choose e books to suit your own need. Need to access completely for Campbell Biology Seventh Edition book? Access Ebook without any digging. And by having access to our ebook online or by storing it on your computer, you have convenient answers with Tohatsu Service Manual 4hk To get started finding Tohatsu Service Manual 4hk, you are right to find our website which has a comprehensive collection of books online. Our library is the biggest of these that have literally hundreds of thousands of different products represented. You will also see that there are specific sites catered to different categories or niches related with Tohatsu Service Manual 4hk So depending on what exactly you are searching, you will be

able to choose ebook to suit your own need. Thank you for reading Tohatsu Service Manual 4hk. Maybe you have knowledge that, people have search numerous times for their favorite readings like this Tohatsu Service Manual 4hk, but end up in harmful downloads. Rather than reading a good book with a cup of coffee in the afternoon, instead they juggled with some harmful bugs inside their laptop. Tohatsu Service Manual 4hk is available in our book collection an online access to it is set as public so you can download it instantly. Our digital library spans in multiple locations, allowing you to get the most less latency time to download any of our books like this one. Merely said, Tohatsu Service Manual 4hk is universally compatible with any devices to read.

### **Find Tohatsu Service Manual 4hk :**

*volvo s40 1999 manual*

**volvo pl4608 pipelayer service repair manual instant**

**volvo v40 v 4001 2002 2003 2004 service repair manual**

**volvo penta tamd41a owners manual**

**vulcan 900 shop manual**

volvo truck fuel diesel tank diagram

**vtu computer programming lab manual 14cpl16**

vr3 voltage regulator manual

~~volvo v50 owners workshop manual~~

*volvo vida user manual*

**volvo trucks workshop manual**

*vrv 3 service manual rxyq*

**volvo v50 repair manual 2015**

*vut open day*

voss property management portland review

### **Tohatsu Service Manual 4hk :**

*f16 0030 000 sullair air compressor daily inspection checklist - Jul 04 2022*

web equipment air compressor location workshop month month apr nov01 07 2019 5 11 2018 date mon tue wed thu fri sat sun remarks no item inspected 1 fuel stop valve 2 muffler exhaust



**data logging a compressed air system atlas copco uk** - Feb 28 2022

web walkthrough assessments may also reveal the need for a full air audit using data loggers to measure operating current and provide an insight of the compressed air utilisation within a given system data loggers are attached to the compressor for a minimum of 7 14 days in order to observe and record any trends and demand fluctuation throughout

**air compressor maintenance checklist for 2023 fieldinsight** - Jun 03 2022

web dec 1 2020 crafting an air compressor maintenance checklist needs to take into consideration both the duration of the asset lifetime and different components of each service maintenance as it ages you may find some checks need to be done daily weekly monthly or quarterly to reduce damage being caused checklists for success

*total running hours dated compressor log sheet english* - Jan 10 2023

web compressor log sheet english scubaengineer com oil test fluorescence result synthetic mineral total running hours filter lifetime hrs mins at degrees c installed at company location compressor prime mover oil type grade used

**essential air compressor inspection checklist atlas copco** - Oct 07 2022

web atlas copco follows a standardized checklist during both oil injected and oil free air compressor inspections the list includes the overhaul and replacement of certain parts however for the purpose of this article we ve only included the [compressor daily rounds log stellar](#) - Feb 11 2023

web use this compressor log sheet for record keeping during your daily rounds with fields for elements including suction pressure and temperature oil filter pressure slide valve percentage motor current and more

*air compressor maintenance checklist atlas copco uae* - Jul 16 2023

web whether you want to maintain a screw air compressor or any other type of compressor you need to have some maintenance checklist that you can follow every time for effective maintenance of your air compressors let s take a look at the air compressor maintenance checklist

[air compressor maintenance log pdf documents and e books](#) - Dec 29 2021

web air compressor maintenance log pdf uploaded by canh luongtien november 2019 pdf bookmark download this document was uploaded by user and they confirmed that they have the permission to share it if you are author or own the copyright of this book please report to us by using this [dmca report form](#) report dmca

**air compressor maintenance checklist rasmussen mechanical** - Sep 06 2022

web oct 21 2020 what should be included in air compressor maintenance logs below is a list to help get you started these are items that are important to monitor and gauge in an effective maintenance strategy name of who performed service

**air compressor daily checks air equipment** - Mar 12 2023

web nov 29 2016 running check check the compressor is running correctly and not making unusual noises pressure switch

operation check the compressor is cutting out when the operating pressure is reached for more information on these checks take a look at our short video air compressor daily checks

[air compressor safety inspection template safetyculture](#) - May 14 2023

web an air compressor safety inspection template is used for periodic checks of compressors to ensure their continued safe operation use this template

**air comp daily log iph safetyculture** - Dec 09 2022

web view and download air comp daily log iph for free browse the public library of over 100 000 free editable checklists for all industries

**air compressor maintenance checklist pps** - Apr 01 2022

web air compressor maintenance checklist if you are wondering what should be on your air compressor maintenance checklist then look no further we have put together the essentials here and included a handy pdf you can download print and put up by your air compressor this list is designed to be checks you can do on site

[daily inspection checklist air compressor pdf scribd](#) - Apr 13 2023

web daily inspection checklist air compressor xls free download as excel spreadsheet xls pdf file pdf text file txt or view presentation slides online scribd is the world s largest social reading and publishing site

**01 air compressor daily checklist documents and e books** - Aug 05 2022

web 01 air compressor daily checklist 546gk02o1qn8 01 air compressor daily checklist this document was uploaded by user and they confirmed that they have the permission to share it if you are author or own the copyright of this book please report to us by using this dmca report form report dmca

**air compressor inspection checklist fill out sign online dochub** - May 02 2022

web 01 edit your air compressor safety checklist online type text add images blackout confidential details add comments highlights and more 02 sign it in a few clicks draw your signature type it upload its image or use your mobile device as a signature pad 03 share your form with others

**compressor daily log f hubspotusercontent00 net** - Nov 08 2022

web compressor daily log to be checked once or twice a shift date time am pm operator suction pressure oil pressure oil filter pressure oil separator temp oil temp disc temp suction temp slide valve motor current oil level running hours disc pressure comments

[free air compressor maintenance checklists pdf safetyculture](#) - Aug 17 2023

web jul 11 2023 air compressor maintenance is the routine servicing of industrial air compressors using a digital checklist engineers and safety officers conduct air compressor preventive maintenance on a daily weekly monthly and yearly basis to

ensure the optimal operation of air compressors

*get the free air compressor checklist excel form pdfiller* - Jan 30 2022

web 01 open the excel spreadsheet containing the air compressor checklist 02 review the checklist items and ensure you understand each task or inspection point 03 begin filling out the checklist by entering the necessary information for each item 04 provide any required details or comments in the designated columns or cells 05

[air compressor maintenance log industrial air power](#) - Jun 15 2023

web download and print a new free maintenance log at industrialairpower com parts industrialairpower com toll free 877 422 1717 industrialairpower com to use this maintenance log check and sign in the appropriate boxes as

*impa catalogue 5th edition by marshawilson2538 issuu* - Aug 23 2023

web aug 3 2017 impa catalogue 5th edition save this book to read impa catalogue 5th edition pdf ebook at our online library get impa catalogue 5th edition pdf file for free from our online library impa

**book marine stores guide** - Oct 13 2022

web advertise in the msg 8 th edition book limited slots available book now we are pleased to release the latest edition of the catalogue more than 6 000 codes have been added to the new edition meaning the msg now contains over 50 000 codes from suppliers around the world

[impa marine store guide 5th edition denizmagaza com](#) - Jun 21 2023

web product details with over 39 000 codes the impa marine stores guide is the world s leading reference guide for maritime purchasing and supply the marine stores guide in its various forms has been in circulation since 1978 and during that time more than 70 000 copies have been printed

*impa catalogue 5th edition ead3 archivists org* - Jun 09 2022

web oct 17 2023 impa catalogue 5th edition radio production robert mcleish 2015 09 16 radio production is for professionals and students interested in understanding the radio industry in today s ever changing world this book features up to date coverage of the purpose and use of radio with detailed coverage of current production

*impa catalogue 5th edition pivotid uvu edu* - Feb 17 2023

web impa catalogue 5th edition decoding impa catalogue 5th edition revealing the captivating potential of verbal expression in an era characterized by interconnectedness and an insatiable thirst for knowledge the captivating potential of verbal expression has emerged as a formidable force

**impa catalogue 5th edition post gazette blogs** - May 08 2022

web reading this impa catalogue 5th edition will offer you more than people admire it will guide to know more than the people staring at you even now there are many sources to learning reading a collection yet becomes the first other as a good

way why should be reading taking into consideration more it will

**download pdf impa catalogue pdf klzz81x0eelg documents** - Jan 16 2023

web download impa catalogue pdf type pdf date november 2019 size 705 5kb author danikakaurodrigues this document was uploaded by user and they confirmed that they have the permission to share it if you are author or own the copyright of this book please report to us by using this dmca report form report dmca

*impa 5th edition pdf pipe fluid conveyance rope scribd* - Jul 22 2023

web impa 5th edition free ebook download as pdf file pdf text file txt or read book online for free

*impa impa marine stores guide* - May 20 2023

web widely considered to be the world s leading reference source for maritime purchasing and supply the marine stores guide or msg is available in print and digital formats and helps purchasers and suppliers match and supply goods easily by using a unique six digit code to identify products exactly to an individual description

*impa catalogue full version download pdf pdf digital* - Nov 14 2022

web download google docs impa marine stores 5th edition impa marine stores guide 3rd ed free download as pdf file pdf text file txt or read of the catalogue now includes availability of materials under impa catalogue free download free impa catalogue free download software downloads full master resell

*pub impa catalogue 5th edition free pdf pareng mik pte* - Mar 06 2022

web aug 16 2023 impa catalogue 5th edition is easy to get to in our digital library an online access to it is set as public in view of that you can download it instantly our digital library saves in merged countries allowing you to get the most less latency period to download any of our books when this one

**impa search all impa products impa consumables** - Sep 24 2023

web the impa category products based on impa catalogue that split into sections for easy reference and these include many category of products this impa catalogue helps purchasers and suppliers match and supply goods easily by using a unique six digit code to identify products exactly to an individual description

home marine stores guide - Sep 12 2022

web first published in 1978 more than 110 000 copies in circulation used by 5 000 vessels 300 shipping companies includes 50 000 codes that have remained unchanged in 40 years a digital version u0003of the catalogue ms excel format updated every u0003six months simple quick and effective more than 50 000 products provided by suppliers

**impa catalogue pdf fill online printable fillable blank pdffiller** - Aug 11 2022

web impa catalogue pdf is an online catalogue of the international marine purchasing association impa which contains over 40 000 products and services from suppliers around the world the catalogue features detailed product information images

and pricing information as well as contact information for suppliers

*pdf impa marine stores guide pdf free download pdf* - Jul 10 2022

web jul 17 2017 impa marine stores guide pdf july 17 2017 author eldos777 category adhesive corrosion epoxy lubricant galvanization report this link download pdf

*impa catalogue 5th edition doc download treca* - Mar 18 2023

web impa catalogue 5th edition cutting edge heat transfer principles and design applications apply advanced heat transfer concepts to your chemical petrochemical and refining equipment designs using the detailed information contained in this comprehensive volume

*impa code search by shipserv* - Dec 15 2022

web free impa marine stores guide database look up or browse the code hierarchy

**impa catalogue 5th edition pdf s3 vdocuments mx** - Apr 19 2023

web feb 27 2018 read online now impa catalogue 5th edition ebook pdf at our library get impa catalogue 5th edition pdf file for free from our online library pdf file impa catalogue 5th edition here is the access download page of impa catalogue 5th edition pdf click this link to download or read online impa catalogue 5th

**get the free impa catalogue download pdf form pdf filler** - Feb 05 2022

web 01 open the impa catalogue website in your preferred web browser 02 locate the download pdf button or link on the website 03 click on the button or link to initiate the download process 04 save the downloaded pdf file

*impa catalogue 5th edition pdf old section v track* - Apr 07 2022

web impa catalogue 5th edition unveiling the magic of words a report on impa catalogue 5th edition in a global defined by information and interconnectivity the enchanting power of words has acquired unparalleled significance their capability to kindle emotions provoke contemplation and ignite transformative change is really awe inspiring

mph1fp mark scheme jan 2014 download only - Mar 31 2022

web you may not be perplexed to enjoy every book collections mph1fp mark scheme jan 2014 that we will completely offer it is not regarding the costs its nearly what you infatuation currently this mph1fp mark scheme jan 2014 as one of the most operating sellers here will unquestionably be in the course of the best options to review e e

**mph1fp foundation january 2014 mark scheme secure4 khronos** - Jul 15 2023

web jun 15 2023 mph1fp foundation january 2014 mark scheme cetara de mph1fp january 2014 mark scheme aqa

iriebarandgrill com mph1fp january 2014 mark scheme aqa lhasaseek com mph1fp foundation january 2014 mark scheme

mph1fp foundation january 2018 mark scheme demnis de mph1fp foundation january

mph1fp foundation january 2014 mark scheme harmony bcca - May 13 2023

web mph1fp foundation january 2014 mark scheme if you want to comical fiction lots of stories story laughs and more fictions collections are also started from best seller to one of the most ongoing released

**mph1fp mark scheme jan 2014 steelsolutionsmt** - Jan 29 2022

web feb 24 2023 mph1fp mark scheme jan 2014 eventually you will definitely discover a supplementary experience and triumph by spending more cash nevertheless when reach you agree to that you require to acquire those all needs in imitation of having significantly cash why dont you try to get something basic in the beginning thats something that

**head first pmp türkçe jennifer greene fiyat satın al d r** - Feb 27 2022

web head first pmp kitabı yardımcı kitap olarak kullandığı dil ve görsel anlatımıyla proje yönetimi içeriğinin kolayca anlaşılmasını sağlıyor bu kitabın türkçe ye çevrilmesi sınava

**mph1fpfoundationjanuary2014markscheme** - Sep 05 2022

web mph1fp foundation january 2014 mark scheme pdf old adst mar 05 2023 thank you completely much for downloading mph1fp foundation january 2014 mark scheme pdf most likely you have knowledge that people have see numerous period for their favorite books similar to this

**mph1fp foundation january 2014 mark scheme** - Aug 04 2022

web jul 16 2023 mph1fp january 2014 mark scheme aqa mph1fp january 2014 mark scheme aqa wixbox de mph1fp foundation january 2018 mark scheme mph1fp january 2014 mark scheme aqa lhasaseek com mph1fp foundation january 2014 mark scheme cetara de june 8th 2018 download and read mph1fp foundation january

*mph1fp foundation january 2014 mark scheme download or read* - Mar 11 2023

web nov 21 2020 mph1fp foundation january 2014 mark scheme mark scheme results january pearson edexcel international gcse mathematics a 4ma0 2fr edexcel and btec qualifications edexcel and btec qualifications edexcel and btec qualifications are awarded by pearson the uk s largest awarding body

mph1fp foundation january 2014 mark scheme - Aug 16 2023

web mph1fp foundation january 2014 mark scheme 3 3 fighter who put down his weapons for the sake of peace and who then became the president of south africa and a nobel peace prize winner and realise that they can continue his legacy in the world today seen through a child s perspective and authored jointly by nelson mandela s great

mph1fp foundation january 2014 mark scheme pdf - Apr 12 2023

web mar 19 2023 mph1fp foundation january 2014 mark scheme pdf eventually you will no question discover a extra experience and completion by spending more cash still when complete you admit that you require to acquire those all needs once having significantly cash why dont you attempt to acquire something basic in the beginning

**mph1fp foundation january 2014 mark scheme** - Feb 10 2023

web mph1fp foundation january 2014 mark scheme cetara de june 8th 2018 download and read mph1fp foundation january 2014 mark scheme mph1fp foundation january 2014 mark scheme in undergoing this life many people always try to do and get the best mph1fp january 2014 mark scheme aqa goldtonerb2b com

*mph1fp foundation january 2014 mark scheme help discoveram* - May 01 2022

web jun 9 2023 mph1fp foundation january 2014 mark scheme or get it as soon as workable maybe you have expertise that people have look multiple times for their preferred books later this

*mph1fp foundation january 2014 mark scheme full pdf* - Jul 03 2022

web could enjoy now is mph1fp foundation january 2014 mark scheme below mph1fp foundation january 2014 mark scheme downloaded from portal dlc ui edu ng by guest sydnee porter atlas of ct angiography springer this volume reproduces key works of scholarship which highlight the contributions of adam smith to our

**mph1fp foundation january 2014 mark scheme pdf irbrora** - Jan 09 2023

web apr 3 2023 this info get the mph1fp foundation january 2014 mark scheme pdf associate that we offer here and check out the link you could purchase guide mph1fp foundation january 2014 mark scheme pdf or acquire it as soon as feasible you could quickly download this mph1fp foundation january 2014 mark scheme pdf after

[mph1fp mark scheme jan 2014 pdf pdf jenicallilly com](#) - Jun 14 2023

web may 21 2023 mph1fp foundation january 2014 mark scheme web jan 21 2023 as this mph1fp foundation january 2014 mark scheme it ends up being one of the favored books mph1fp foundation january 2014 mark scheme collections that we have this is why you remain in the best website to see the amazing books to have after promontory center for

*head first pmp türkçe baskısı ile pmp sınavına hazırlık* - Dec 28 2021

web dec 25 2014 head first pmp türkçe baskısı ile pmp sınavına hazırlık yayın tarihi 25 aralık 2014 09 37 yazar

suleymantosun pmp sınavına hazırlıkta son bir kaç yılda en çok sorulan sorulardan birisi hazırlık için türkçe bir kaynak olup olmadığıydı aslında ilk etapta pmbok türkçe ye çevrilirken bu destek biraz

**mph1fp mark scheme jan 2014 help environment harvard edu** - Dec 08 2022

web merely said the mph1fp mark scheme jan 2014 is universally compatible with any devices to read 101 kruger tales jeff gordon 2015 09 24 an enraged elephant flips a car onto its roof a lioness prides open the door of a terrified couple a leopard helps itself to a family s picnic 2 breakfast a fleeing impala leaps

**7 haziran seçimine doĐru milliyetçi hareket partisi** - Nov 07 2022

web setav org 5 7 haziran seçimine doĐru milliyetçi hareket partisi imhpi İÇİndekiler Özet 7 giriŞ 8 1969 dan 2015 e mhp nİN serÜvenİNdeKİ ana uĐraklar 9

**aqa mph1fp january 2014 mark scheme** - Oct 06 2022

web aqa mph1fp january 2014 mark scheme 3 3 and belonging and as they work in harmony with nature s mysterious ever changing fabric while green s paintings speak specifically to his own upbringing they transcend racial cultural and ethnic boundaries thus allowing individuals of all backgrounds to recall fond memories and to reflect on the

**mph1fp foundation january 2014 mark scheme** - Jun 02 2022

web may 27 2023 this mph1fp foundation january 2014 mark scheme but end up in dangerous downloads this is in addition one of the aspects by securing the digital files of this mph1fp foundation january 2014 mark scheme by online