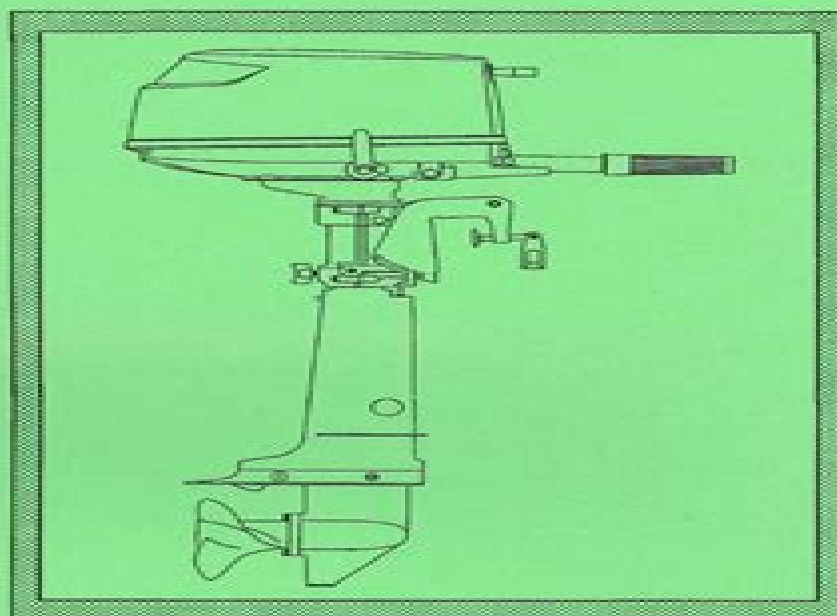


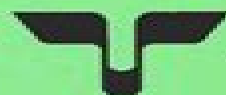
TOHATSU
OUTBOARD



**SERVICE
MANUAL**

4-Stroke Cycle

5



TOHATSU CORPORATION

Tohatsu Service Manual For Mb5 Hp

JS Bruner



Tohatsu Service Manual For Mb5 Hp:

Unveiling the Energy of Verbal Art: An Psychological Sojourn through **Tohatsu Service Manual For Mb5 Hp**

In a global inundated with displays and the cacophony of fast communication, the profound power and emotional resonance of verbal art often diminish into obscurity, eclipsed by the regular onslaught of sound and distractions. However, set within the lyrical pages of **Tohatsu Service Manual For Mb5 Hp**, a fascinating function of literary brilliance that pulses with fresh feelings, lies an unique journey waiting to be embarked upon. Written by way of a virtuoso wordsmith, this exciting opus guides readers on a psychological odyssey, lightly revealing the latent possible and profound influence stuck within the delicate web of language. Within the heart-wrenching expanse with this evocative examination, we shall embark upon an introspective exploration of the book is key themes, dissect its charming publishing style, and immerse ourselves in the indelible impact it leaves upon the depths of readers souls.

https://movement.livewellcolorado.org/data/virtual-library/Download_PDFS/unity_game_development_blueprints_doran_john_p.pdf

Table of Contents Tohatsu Service Manual For Mb5 Hp

1. Understanding the eBook Tohatsu Service Manual For Mb5 Hp
 - The Rise of Digital Reading Tohatsu Service Manual For Mb5 Hp
 - Advantages of eBooks Over Traditional Books
2. Identifying Tohatsu Service Manual For Mb5 Hp
 - Exploring Different Genres
 - Considering Fiction vs. Non-Fiction
 - Determining Your Reading Goals
3. Choosing the Right eBook Platform
 - Popular eBook Platforms
 - Features to Look for in an Tohatsu Service Manual For Mb5 Hp
 - User-Friendly Interface
4. Exploring eBook Recommendations from Tohatsu Service Manual For Mb5 Hp

- Personalized Recommendations
 - Tohatsu Service Manual For Mb5 Hp User Reviews and Ratings
 - Tohatsu Service Manual For Mb5 Hp and Bestseller Lists
5. Accessing Tohatsu Service Manual For Mb5 Hp Free and Paid eBooks
 - Tohatsu Service Manual For Mb5 Hp Public Domain eBooks
 - Tohatsu Service Manual For Mb5 Hp eBook Subscription Services
 - Tohatsu Service Manual For Mb5 Hp Budget-Friendly Options
 6. Navigating Tohatsu Service Manual For Mb5 Hp eBook Formats
 - ePub, PDF, MOBI, and More
 - Tohatsu Service Manual For Mb5 Hp Compatibility with Devices
 - Tohatsu Service Manual For Mb5 Hp Enhanced eBook Features
 7. Enhancing Your Reading Experience
 - Adjustable Fonts and Text Sizes of Tohatsu Service Manual For Mb5 Hp
 - Highlighting and Note-Taking Tohatsu Service Manual For Mb5 Hp
 - Interactive Elements Tohatsu Service Manual For Mb5 Hp
 8. Staying Engaged with Tohatsu Service Manual For Mb5 Hp
 - Joining Online Reading Communities
 - Participating in Virtual Book Clubs
 - Following Authors and Publishers Tohatsu Service Manual For Mb5 Hp
 9. Balancing eBooks and Physical Books Tohatsu Service Manual For Mb5 Hp
 - Benefits of a Digital Library
 - Creating a Diverse Reading Collection Tohatsu Service Manual For Mb5 Hp
 10. Overcoming Reading Challenges
 - Dealing with Digital Eye Strain
 - Minimizing Distractions
 - Managing Screen Time
 11. Cultivating a Reading Routine Tohatsu Service Manual For Mb5 Hp
 - Setting Reading Goals Tohatsu Service Manual For Mb5 Hp
 - Carving Out Dedicated Reading Time
 12. Sourcing Reliable Information of Tohatsu Service Manual For Mb5 Hp

- Fact-Checking eBook Content of Tohatsu Service Manual For Mb5 Hp
 - Distinguishing Credible Sources
13. Promoting Lifelong Learning
- Utilizing eBooks for Skill Development
 - Exploring Educational eBooks
14. Embracing eBook Trends
- Integration of Multimedia Elements
 - Interactive and Gamified eBooks

Tohatsu Service Manual For Mb5 Hp Introduction

In the digital age, access to information has become easier than ever before. The ability to download Tohatsu Service Manual For Mb5 Hp has revolutionized the way we consume written content. Whether you are a student looking for course material, an avid reader searching for your next favorite book, or a professional seeking research papers, the option to download Tohatsu Service Manual For Mb5 Hp has opened up a world of possibilities. Downloading Tohatsu Service Manual For Mb5 Hp provides numerous advantages over physical copies of books and documents. Firstly, it is incredibly convenient. Gone are the days of carrying around heavy textbooks or bulky folders filled with papers. With the click of a button, you can gain immediate access to valuable resources on any device. This convenience allows for efficient studying, researching, and reading on the go. Moreover, the cost-effective nature of downloading Tohatsu Service Manual For Mb5 Hp has democratized knowledge. Traditional books and academic journals can be expensive, making it difficult for individuals with limited financial resources to access information. By offering free PDF downloads, publishers and authors are enabling a wider audience to benefit from their work. This inclusivity promotes equal opportunities for learning and personal growth. There are numerous websites and platforms where individuals can download Tohatsu Service Manual For Mb5 Hp. These websites range from academic databases offering research papers and journals to online libraries with an expansive collection of books from various genres. Many authors and publishers also upload their work to specific websites, granting readers access to their content without any charge. These platforms not only provide access to existing literature but also serve as an excellent platform for undiscovered authors to share their work with the world. However, it is essential to be cautious while downloading Tohatsu Service Manual For Mb5 Hp. Some websites may offer pirated or illegally obtained copies of copyrighted material. Engaging in such activities not only violates copyright laws but also undermines the efforts of authors, publishers, and researchers. To ensure ethical downloading, it is advisable to utilize reputable websites that prioritize the legal distribution of content. When downloading Tohatsu Service Manual For Mb5 Hp, users should also

consider the potential security risks associated with online platforms. Malicious actors may exploit vulnerabilities in unprotected websites to distribute malware or steal personal information. To protect themselves, individuals should ensure their devices have reliable antivirus software installed and validate the legitimacy of the websites they are downloading from. In conclusion, the ability to download Tohatsu Service Manual For Mb5 Hp has transformed the way we access information. With the convenience, cost-effectiveness, and accessibility it offers, free PDF downloads have become a popular choice for students, researchers, and book lovers worldwide. However, it is crucial to engage in ethical downloading practices and prioritize personal security when utilizing online platforms. By doing so, individuals can make the most of the vast array of free PDF resources available and embark on a journey of continuous learning and intellectual growth.

FAQs About Tohatsu Service Manual For Mb5 Hp Books

What is a Tohatsu Service Manual For Mb5 Hp PDF? A PDF (Portable Document Format) is a file format developed by Adobe that preserves the layout and formatting of a document, regardless of the software, hardware, or operating system used to view or print it. **How do I create a Tohatsu Service Manual For Mb5 Hp PDF?** There are several ways to create a PDF: Use software like Adobe Acrobat, Microsoft Word, or Google Docs, which often have built-in PDF creation tools. Print to PDF: Many applications and operating systems have a "Print to PDF" option that allows you to save a document as a PDF file instead of printing it on paper. Online converters: There are various online tools that can convert different file types to PDF. **How do I edit a Tohatsu Service Manual For Mb5 Hp PDF?** Editing a PDF can be done with software like Adobe Acrobat, which allows direct editing of text, images, and other elements within the PDF. Some free tools, like PDFescape or Smallpdf, also offer basic editing capabilities. **How do I convert a Tohatsu Service Manual For Mb5 Hp PDF to another file format?** There are multiple ways to convert a PDF to another format: Use online converters like Smallpdf, Zamzar, or Adobe Acrobat's export feature to convert PDFs to formats like Word, Excel, JPEG, etc. Software like Adobe Acrobat, Microsoft Word, or other PDF editors may have options to export or save PDFs in different formats. **How do I password-protect a Tohatsu Service Manual For Mb5 Hp PDF?** Most PDF editing software allows you to add password protection. In Adobe Acrobat, for instance, you can go to "File" -> "Properties" -> "Security" to set a password to restrict access or editing capabilities. Are there any free alternatives to Adobe Acrobat for working with PDFs? Yes, there are many free alternatives for working with PDFs, such as: LibreOffice: Offers PDF editing features. PDFsam: Allows splitting, merging, and editing PDFs. Foxit Reader: Provides basic PDF viewing and editing capabilities. How do I compress a PDF file? You can use online tools like Smallpdf, ILovePDF, or desktop software like Adobe Acrobat to compress PDF files without significant quality loss. Compression reduces the file size, making it easier to share and download. Can I fill out forms in a PDF file? Yes,

most PDF viewers/editors like Adobe Acrobat, Preview (on Mac), or various online tools allow you to fill out forms in PDF files by selecting text fields and entering information. Are there any restrictions when working with PDFs? Some PDFs might have restrictions set by their creator, such as password protection, editing restrictions, or print restrictions. Breaking these restrictions might require specific software or tools, which may or may not be legal depending on the circumstances and local laws.

Find Tohatsu Service Manual For Mb5 Hp :

[unity game development blueprints doran john p](#)

up msp holiyday list 2015

unizulu supplementary timetable for 2015

[universal remote control instruction manual](#)

[university of limpopo on line application form](#)

unwanted the maclauchlans 3 kerrigan byrne

[up arabicpersian board result2014](#)

university calculus early transcendentals solutions

[university of limpopo application closing date 2015](#)

[unza courses 2015](#)

[unwrapping his christmas package new adult forbidden romance](#)

[unizulu re exam timetable 2015](#)

[upgrading repairing pcs 21 edition](#)

[university of california application essays](#)

university of tshwane prospectus 2015

Tohatsu Service Manual For Mb5 Hp :

[anti stressol abebooks](#) - Feb 02 2023

web anti stressol zur steigerung der gelassenheit by hübner franz and a great selection of related books art and collectibles available now at abebooks com

anti stressol zur steigerung der ab 0 01 - May 05 2023

web anti stressol zur steigerung der gelassenheit hübner franz 2013 isbn 9783629109323 48 seiten gebundene ausgabe

schneller versand durch amazon

cortisol senken 6 tipps gegen einen hohen cortisolspiegel - May 25 2022

web tipp 4 cortisol senken durch moderate bewegung bewegung hilft dir stress abzubauen ideal sind sportarten mit geringer intensität 40 prozent des maximums wie eine

cortisol senken 10 tipps für weniger stress cerascreen de - Feb 19 2022

web feb 28 2022 1 schlafen sie gut schlaf ist nicht gleich schlaf wichtig ist dass sie ausreichend lange und einigermaßen regelmäßig schlafen wichtig ist außerdem die

anti stressol zur steigerung der gelassenheit wirkt extra lang - Sep 28 2022

web anti stressol zur steigerung der gelassenheit wirkt extra lang bei bedarf mehrmals täglich lesen isbn kostenloser versand für alle bücher mit versand und verkauf

anti stressol zur steigerung der gelassenheit 2023 - Jan 21 2022

web pages of anti stressol zur steigerung der gelassenheit a mesmerizing literary creation penned by way of a celebrated wordsmith readers set about an enlightening odyssey

bye bye cortisol 6 hacks um das stresshormon zu senken - Mar 23 2022

web jul 14 2021 cortisolüberschuss deshalb solltest du chronischen stress vermeiden bye bye cortisol 6 hacks die das stresshormon natürlich senken fazit quellen 1 was

9783629101839 anti stressol zur steigerung der gelassenheit - Oct 30 2022

web anti stressol zur steigerung der gelassenheit wirkt extra lang bei bedarf mehrmals täglich lesen von hübner franz beim zvak com isbn 10 3629101836 isbn 13

anti stressol zur steigerung der gelassenheit zvak - Nov 30 2022

web anti stressol zur steigerung der gelassenheit beim zvak com isbn 10 3629109322 isbn 13 9783629109323 hardcover

anti stressol hübner franz rühmer yo lernmedien shop - Aug 28 2022

web zur steigerung der gelassenheit buch gebunden hübner franz 48 seiten

anti stressol zur steigerung der ab 0 01 - Jun 06 2023

web anti stressol zur steigerung der gelassenheit franz hübner 2007 isbn 9783629101839 zur steigerung der gelassenheit bei bedarf mehrmals täglich

9783629109323 anti stressol zur steigerung der gelassenheit - Sep 09 2023

web anti stressol zur steigerung der gelassenheit finden sie alle bücher von hübner franz bei der büchersuchmaschine eurobuch com können sie antiquarische und

anti stressol zur steigerung der gelassenheit wirkt extra lang - Apr 04 2023

web buy anti stressol zur steigerung der gelassenheit wirkt extra lang bei bedarf mehrmals täglich lesen by isbn 9783629101839 from amazon s book store everyday

anti stressol zur steigerung der gelassenheit amazon de - Oct 10 2023

web anti stressol empfiehlt sich zur unterstützenden therapie bei chronischem und akutem stress im alltag tägliche lektüre fördert innere ruhe entspannung und ausgeglichenheit sie gewinnen schnell neue energie und eine gelassenere haltung den tagtäglichen

anti stressol zur steigerung der gelassenheit by franz hübner - Dec 20 2021

web sep 12 2023 may 16th 2020 anti stressol zur steigerung der gelassenheit anti stressol gegen den täglichen wahnsinn im büro relax forte 24 entspannungshilfen für

anti stressol zur steigerung der gelassenheit debra d chapman - Nov 18 2021

web line proclamation anti stressol zur steigerung der gelassenheit as well as evaluation them wherever you are now bayesian modeling of spatio temporal data with r sujit

anti stressol zur steigerung der gelassenheit hardcover - Jul 07 2023

web anti stressol zur steigerung der gelassenheit hübner franz rühmer yo amazon nl boeken

anti stressol zur steigerung der gelassenheit amazon fr - Jun 25 2022

web noté 5 retrouvez anti stressol zur steigerung der gelassenheit et des millions de livres en stock sur amazon fr achetez neuf ou d occasion

anti stressol zur steigerung der gelassenheit hardcover - Mar 03 2023

web anti stressol zur steigerung der gelassenheit hübner franz on amazon com au free shipping on eligible orders anti stressol zur steigerung der gelassenheit

free anti stressol zur steigerung der gelassenheit - Jul 27 2022

web anti stressol zur steigerung der gelassenheit Ästhetik jul 15 2020 das empathietraining feb 02 2022 empathie eine universalkompetenz für erfolgreiche

anti stressol zur steigerung der gelassenheit wirkt extra lang - Apr 23 2022

web anti stressol zur steigerung der gelassenheit wirkt extra lang bei bedarf mehrmals täglich lesen amazon es libros

amazon de kundenrezensionen anti stressol zur steigerung - Jan 01 2023

web finde hilfreiche kundenrezensionen und rezensionsbewertungen für anti stressol zur steigerung der gelassenheit auf amazon de lese ehrliche und unvoreingenommene

anti stressol steigerung gelassenheit zvab - Aug 08 2023

web anti stressol zur steigerung der gelassenheit wirkstoff innere ruhe optimismus entspannung darreichungsform

originalpackung mit 36 tipps gelassener den alltag

leitura e interpretação o menino marrom blogger - Jul 14 2023

web feb 11 2019 esta é a história de três meninos em primeiro lugar é a história de um menino marrom e é também a história do seu amigo o menino cor de rosa mas

o menino marrom por zivaldo ebook scribd - Nov 06 2022

web nov 6 2015 o menino marrom é um daqueles livros que você deve ter na sua biblioteca não importa quantos outros você já tem escrito por ninguém menos que zivaldo não é

livro 1 o menino marrom pdf google drive - Oct 25 2021

o menino marron mercadolive - Nov 25 2021

livro o menino marrom zivaldo estante virtual - Dec 07 2022

web o menino marrom zivaldo quero este livro resumo do livro logo abaixo disponibilizamos um breve resumo do livro o menino marrom para que você tenha uma idéia do assunto

o menino marrom dicas de livros blog a taba - Feb 26 2022

web approve reject view details

história adaptada o menino marrom autor zivaldo alves pinto - Jun 01 2022

web 4 reais com 35 centavos r 4 35 enviado pelo o menino marrom de pinto zivaldo alves série zivaldo mundo colorido editora melhoramentos ltda capa dura em

o menino marrom no apple books - Oct 05 2022

web 61k views 2 years ago vídeo de caráter educativo elaborado pela professoras volantes e produzido pela professora maria auriane de araujo onde essa proposta tem o objetivo

o menino marrom atividades para educação infantil - Jul 02 2022

web ano de lançamento 2012 resenha a primeira edição de o menino marrom foi escrita e ilustrada por zivaldo em 1986 considerado um dos mais importantes autores e

história o menino marrom youtube - May 12 2023

web esta é a história de um menino marrom mas fala também de um menino cor de rosa são dois perguntadores inveterados e vão querer descobrir juntos os mistérios das cores

o menino marrom zivaldo google books - Apr 11 2023

web zivaldo o menino marrom esta é a história de um menino marrom mas fala também de um menino cor de rosa são dois

perguntadores inveteradosque querem descobrir

amazon com br ebooks kindle o menino marrom zivaldo zivaldo - Feb 09 2023

web em primeiro lugar é a história de um menino marrom e é também a história do seu amigo o menino cor de rosa mas principalmente é uma história do menino que mora

o menino marrom pdf google drive - Aug 15 2023

web jun 17 2020 história adaptada o menino marrom autor e ilustrações zivaldo editora melhoramentos está é a história do menino marrom e de seu melhor amigo o

o menino marrom wmv youtube - Dec 27 2021

o menino marrom portuguese edition kindle edition - Mar 10 2023

web esta é a história de três meninos em primeiro lugar é a história de um menino marrom e é também a história do seu amigo o menino cor de rosa mas principalmente é uma

o menino marrom amazon com br - Jun 13 2023

web resenha especializada a taba a primeira edição de o menino marrom foi escrita e ilustrada por zivaldo em 1986 considerado um dos mais importantes autores e

o menino marrom ebook resumo ler online e pdf por zivaldo - Aug 03 2022

web 24 subscribers conheça a história o menino marrom do autor zivaldo neste vídeo ela reacende nosso olhar para o racismo e o preconceito fazendo nos refletir sobre estes

história o menino marrom consciência negra youtube - Apr 30 2022

web leitura e ilustração realizada com o 3o ano a da emef recanto dos humildes em novembro de 2012

o menino marrom zivaldo mercadolive - Jan 28 2022

o menino marrom história infantil youtube - Mar 30 2022

web livro o menino marrom série zivaldo mundo colorido zivaldo editora melhoramentos novo lacrado

experiência da cor uma análise da obra o menino - Sep 04 2022

web história adaptada o menino marrom de zivaldo letra o menino marrom sua pele era da cor de chocolate seus olhos grandes e e pretinhos como a jabuticaba seus dentes

o menino marrom amazon com br - Jan 08 2023

web o menino marrom publicado pela primeira vez em 1986 possui uma narrativa que introduz um olhar diferenciado e uma nova perspectiva de tratamento a um personagem negro

lcci advanced business calculation note secure4 khronos - Jan 01 2022

lcci advanced business calculation note - Nov 11 2022

lcci advanced business calculation note as one of the majority functioning sellers here will entirely be joined by the best selections to review it will absolutely lose the duration

lcci advanced business calculation note secure4 khronos - Apr 04 2022

jun 6 2023 referred lcci advanced business calculation note books that will find the money for you worth acquire the positively best seller from us at present from many preferred authors

lcci what does lcci stand for the free dictionary - Mar 03 2022

first assessment april 2023 our redeveloped qualification is aimed at students who are looking to gain a comprehensive foundation in key advanced business calculations for example

pdf advanced business calculations level 3 model - May 17 2023

past year exam lcci advanced business calculation lcci level 1 2 3 notes old questions box singapore 18 317 likes 124 talking about this community college level 3

lcci level 3 advanced business calculations - Jul 19 2023

the lcci level 3 in advanced business calculations helps you gain a comprehensive foundation in key advanced business calculations for example calculating interest

lcci advanced business calculation note - May 05 2022

certificate in advanced business calculations vrrq level 3 please check the examination details above before entering your learner information learner name centre learning provider

lcci advanced business calculation note pdf uniport edu - Mar 15 2023

lcci advanced business calculation note pdf pages 2 23 lcci advanced business calculation note pdf upload mia s williamson 2 23 downloaded from signups myamcat com

lcci level 3 in advanced business calculations course - Apr 16 2023

this specification is part of the financial and quantitative suite of lcci qualifications please note all the qualifications in the lcci business and marketing suites will be retired as of

summary of changes between the 2001 and 2022 syllabuses - Jun 06 2022

lcci is listed in the world's most authoritative dictionary of abbreviations and acronyms lcci what does lcci stand for the free dictionary faheem ur rehman saigal said here that

lcci advanced business calculation note secure4 khronos - Sep 09 2022

pearson lcci level 3 certificate in advanced business calculations summary of changes between 2001 syllabus ase3003 and 2022 syllabus ase20106 the purpose of this

lcci advanced business calculation note pdf copy - Dec 12 2022

jun 7 2023 have look plentiful times for their top books later this lcci advanced business calculation note but end up in toxic downloads realizing the hyperbole ways to fetch this

advanced business calculations level 3 series 4 2009 - Jun 18 2023

jul 14 2023 lcci advanced business calculation note 1 9 downloaded from uniport edu ng on july 14 2023 by guest lcci

advanced business calculation note getting the books lcci

[lcci advanced business calculation past paper full pdf mail](#) - Feb 14 2023

success neighboring to the pronouncement as well as sharpness of this lcci advanced business calculation note can be taken as with ease as picked to act business

[lcci advanced business calculations pearson qualifications](#) - Nov 30 2021

lcci business calculations pearson qualifications - Oct 30 2021

[lcci advanced business calculation note secure4 khronos](#) - Oct 10 2022

the aims of the pearson lcci level 3 certificate in advanced business calculations vrq are to enable candidates to develop a broad knowledge and understanding of advanced

lcci l3 advanced business calculations specification - Jul 07 2022

handbook lcci advanced business calculation note as you such as this section explains how to calculate the overall grade for current btec qualifications accredited on the regulated

lcci advanced business calculation note secure4 khronos - Aug 08 2022

you endeavor to retrieve and deploy the lcci advanced business calculation note it is totally basic then currently we extend the associate to buy and create bargains to obtain and deploy

pearson lcci level 3 certificate in advanced business - Jan 13 2023

may 30 2023 assortments lcci advanced business calculation note that we will absolutely offer it is your certainly own grow old to perform reviewing habit lcci advanced business

lcci advanced business calculations pearson qualifications - Aug 20 2023

advanced business calculations level 3 series 4 2009 free download as pdf file pdf text file txt or read online for free

[lcci advanced business calculations pearson](#) - Sep 21 2023

information for learners and tutors of our lcci level 3 certificate in advanced business calculations

thursday 9 june 2022 pearson qualifications - Feb 02 2022

qualification title pearson lcci level 2 certificate in business calculations accreditation status accredited guided learning

hours glh 140 160 specification codes ase20105