

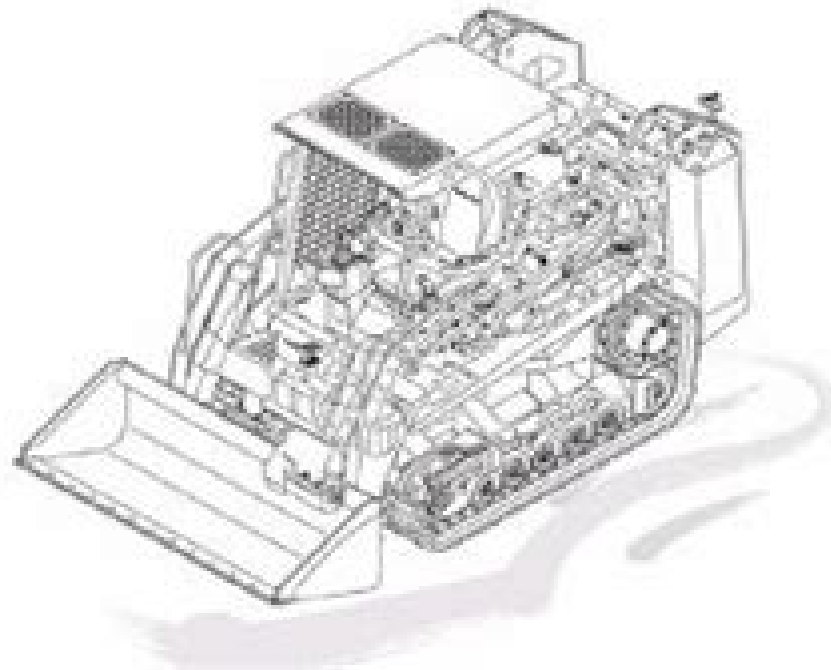
TL230 (P-TL230B8F) BU52005 S/N 223100001-  
Index

# PARTS MANUAL

 **TL230**

Serial No. 223100001-

**BU52005 (P-TL230B8F)**



# Takeuchi TL230 Crawler Loader Parts Manual Instant Sn 223000001 And Up

**F Rizvi**



**Takeuchi TL230 Crawler Loader Parts Manual Instant Sn 223000001 And Up:**

Recognizing the habit ways to acquire this ebook **Takeuchi Tl230 Crawler Loader Parts Manual Instant Sn 223000001 And Up** is additionally useful. You have remained in right site to start getting this info. get the Takeuchi Tl230 Crawler Loader Parts Manual Instant Sn 223000001 And Up colleague that we present here and check out the link.

You could purchase lead Takeuchi Tl230 Crawler Loader Parts Manual Instant Sn 223000001 And Up or acquire it as soon as feasible. You could quickly download this Takeuchi Tl230 Crawler Loader Parts Manual Instant Sn 223000001 And Up after getting deal. So, when you require the ebook swiftly, you can straight acquire it. Its suitably entirely easy and for that reason fats, isnt it? You have to favor to in this circulate

[https://movement.livewellcolorado.org/results/scholarship/HomePages/The\\_Fertile\\_Lingerie\\_Model\\_Bareback\\_Cuckolding.pdf](https://movement.livewellcolorado.org/results/scholarship/HomePages/The_Fertile_Lingerie_Model_Bareback_Cuckolding.pdf)

## **Table of Contents Takeuchi Tl230 Crawler Loader Parts Manual Instant Sn 223000001 And Up**

1. Understanding the eBook Takeuchi Tl230 Crawler Loader Parts Manual Instant Sn 223000001 And Up
  - The Rise of Digital Reading Takeuchi Tl230 Crawler Loader Parts Manual Instant Sn 223000001 And Up
  - Advantages of eBooks Over Traditional Books
2. Identifying Takeuchi Tl230 Crawler Loader Parts Manual Instant Sn 223000001 And Up
  - Exploring Different Genres
  - Considering Fiction vs. Non-Fiction
  - Determining Your Reading Goals
3. Choosing the Right eBook Platform
  - Popular eBook Platforms
  - Features to Look for in an Takeuchi Tl230 Crawler Loader Parts Manual Instant Sn 223000001 And Up
  - User-Friendly Interface
4. Exploring eBook Recommendations from Takeuchi Tl230 Crawler Loader Parts Manual Instant Sn 223000001 And Up
  - Personalized Recommendations
  - Takeuchi Tl230 Crawler Loader Parts Manual Instant Sn 223000001 And Up User Reviews and Ratings
  - Takeuchi Tl230 Crawler Loader Parts Manual Instant Sn 223000001 And Up and Bestseller Lists

5. Accessing Takeuchi TL230 Crawler Loader Parts Manual Instant Sn 223000001 And Up Free and Paid eBooks
  - Takeuchi TL230 Crawler Loader Parts Manual Instant Sn 223000001 And Up Public Domain eBooks
  - Takeuchi TL230 Crawler Loader Parts Manual Instant Sn 223000001 And Up eBook Subscription Services
  - Takeuchi TL230 Crawler Loader Parts Manual Instant Sn 223000001 And Up Budget-Friendly Options
6. Navigating Takeuchi TL230 Crawler Loader Parts Manual Instant Sn 223000001 And Up eBook Formats
  - ePub, PDF, MOBI, and More
  - Takeuchi TL230 Crawler Loader Parts Manual Instant Sn 223000001 And Up Compatibility with Devices
  - Takeuchi TL230 Crawler Loader Parts Manual Instant Sn 223000001 And Up Enhanced eBook Features
7. Enhancing Your Reading Experience
  - Adjustable Fonts and Text Sizes of Takeuchi TL230 Crawler Loader Parts Manual Instant Sn 223000001 And Up
  - Highlighting and Note-Taking Takeuchi TL230 Crawler Loader Parts Manual Instant Sn 223000001 And Up
  - Interactive Elements Takeuchi TL230 Crawler Loader Parts Manual Instant Sn 223000001 And Up
8. Staying Engaged with Takeuchi TL230 Crawler Loader Parts Manual Instant Sn 223000001 And Up
  - Joining Online Reading Communities
  - Participating in Virtual Book Clubs
  - Following Authors and Publishers Takeuchi TL230 Crawler Loader Parts Manual Instant Sn 223000001 And Up
9. Balancing eBooks and Physical Books Takeuchi TL230 Crawler Loader Parts Manual Instant Sn 223000001 And Up
  - Benefits of a Digital Library
  - Creating a Diverse Reading Collection Takeuchi TL230 Crawler Loader Parts Manual Instant Sn 223000001 And Up
10. Overcoming Reading Challenges
  - Dealing with Digital Eye Strain
  - Minimizing Distractions
  - Managing Screen Time
11. Cultivating a Reading Routine Takeuchi TL230 Crawler Loader Parts Manual Instant Sn 223000001 And Up
  - Setting Reading Goals Takeuchi TL230 Crawler Loader Parts Manual Instant Sn 223000001 And Up
  - Carving Out Dedicated Reading Time
12. Sourcing Reliable Information of Takeuchi TL230 Crawler Loader Parts Manual Instant Sn 223000001 And Up
  - Fact-Checking eBook Content of Takeuchi TL230 Crawler Loader Parts Manual Instant Sn 223000001 And Up
  - Distinguishing Credible Sources

13. Promoting Lifelong Learning
  - Utilizing eBooks for Skill Development
  - Exploring Educational eBooks
14. Embracing eBook Trends
  - Integration of Multimedia Elements
  - Interactive and Gamified eBooks

### **Takeuchi TL230 Crawler Loader Parts Manual Instant Sn 223000001 And Up Introduction**

Free PDF Books and Manuals for Download: Unlocking Knowledge at Your Fingertips In today's fast-paced digital age, obtaining valuable knowledge has become easier than ever. Thanks to the internet, a vast array of books and manuals are now available for free download in PDF format. Whether you are a student, professional, or simply an avid reader, this treasure trove of downloadable resources offers a wealth of information, conveniently accessible anytime, anywhere. The advent of online libraries and platforms dedicated to sharing knowledge has revolutionized the way we consume information. No longer confined to physical libraries or bookstores, readers can now access an extensive collection of digital books and manuals with just a few clicks. These resources, available in PDF, Microsoft Word, and PowerPoint formats, cater to a wide range of interests, including literature, technology, science, history, and much more. One notable platform where you can explore and download free Takeuchi TL230 Crawler Loader Parts Manual Instant Sn 223000001 And Up PDF books and manuals is the internet's largest free library. Hosted online, this catalog compiles a vast assortment of documents, making it a veritable goldmine of knowledge. With its easy-to-use website interface and customizable PDF generator, this platform offers a user-friendly experience, allowing individuals to effortlessly navigate and access the information they seek. The availability of free PDF books and manuals on this platform demonstrates its commitment to democratizing education and empowering individuals with the tools needed to succeed in their chosen fields. It allows anyone, regardless of their background or financial limitations, to expand their horizons and gain insights from experts in various disciplines. One of the most significant advantages of downloading PDF books and manuals lies in their portability. Unlike physical copies, digital books can be stored and carried on a single device, such as a tablet or smartphone, saving valuable space and weight. This convenience makes it possible for readers to have their entire library at their fingertips, whether they are commuting, traveling, or simply enjoying a lazy afternoon at home. Additionally, digital files are easily searchable, enabling readers to locate specific information within seconds. With a few keystrokes, users can search for keywords, topics, or phrases, making research and finding relevant information a breeze. This efficiency saves time and effort, streamlining the learning process and allowing individuals to focus on extracting the information they need. Furthermore, the availability of free PDF books

and manuals fosters a culture of continuous learning. By removing financial barriers, more people can access educational resources and pursue lifelong learning, contributing to personal growth and professional development. This democratization of knowledge promotes intellectual curiosity and empowers individuals to become lifelong learners, promoting progress and innovation in various fields. It is worth noting that while accessing free Takeuchi TL230 Crawler Loader Parts Manual Instant Sn 223000001 And Up PDF books and manuals is convenient and cost-effective, it is vital to respect copyright laws and intellectual property rights. Platforms offering free downloads often operate within legal boundaries, ensuring that the materials they provide are either in the public domain or authorized for distribution. By adhering to copyright laws, users can enjoy the benefits of free access to knowledge while supporting the authors and publishers who make these resources available. In conclusion, the availability of Takeuchi TL230 Crawler Loader Parts Manual Instant Sn 223000001 And Up free PDF books and manuals for download has revolutionized the way we access and consume knowledge. With just a few clicks, individuals can explore a vast collection of resources across different disciplines, all free of charge. This accessibility empowers individuals to become lifelong learners, contributing to personal growth, professional development, and the advancement of society as a whole. So why not unlock a world of knowledge today? Start exploring the vast sea of free PDF books and manuals waiting to be discovered right at your fingertips.

### **FAQs About Takeuchi TL230 Crawler Loader Parts Manual Instant Sn 223000001 And Up Books**

How do I know which eBook platform is the best for me? Finding the best eBook platform depends on your reading preferences and device compatibility. Research different platforms, read user reviews, and explore their features before making a choice. Are free eBooks of good quality? Yes, many reputable platforms offer high-quality free eBooks, including classics and public domain works. However, make sure to verify the source to ensure the eBook credibility. Can I read eBooks without an eReader? Absolutely! Most eBook platforms offer web-based readers or mobile apps that allow you to read eBooks on your computer, tablet, or smartphone. How do I avoid digital eye strain while reading eBooks? To prevent digital eye strain, take regular breaks, adjust the font size and background color, and ensure proper lighting while reading eBooks. What the advantage of interactive eBooks? Interactive eBooks incorporate multimedia elements, quizzes, and activities, enhancing the reader engagement and providing a more immersive learning experience. Takeuchi TL230 Crawler Loader Parts Manual Instant Sn 223000001 And Up is one of the best book in our library for free trial. We provide copy of Takeuchi TL230 Crawler Loader Parts Manual Instant Sn 223000001 And Up in digital format, so the resources that you find are reliable. There are also many Ebooks of related with Takeuchi TL230 Crawler Loader Parts Manual Instant Sn 223000001 And Up. Where to download Takeuchi TL230 Crawler Loader Parts Manual Instant Sn 223000001 And Up online for free? Are you

looking for Takeuchi TL230 Crawler Loader Parts Manual Instant Sn 223000001 And Up PDF? This is definitely going to save you time and cash in something you should think about.

**Find Takeuchi TL230 Crawler Loader Parts Manual Instant Sn 223000001 And Up :**

**the fertile lingerie model bareback cuckolding**

*the examined life journal*

**the gathering book one of the project genesis series**

*the dubbin girls becoming an american*

*the franklin codex in english*

**the dube train november memorandum**

*the edge of winter*

*the fathom guide for the practice of statistics*

*the forgiven trial*

**the frog prince a romantic comedy english edition**

*the flat earth conspiracy*

*the documentation of an auditor39s understanding internal controls*

*the dukes plaything book iii iv historical bdsm english edition*

*the eyes of asia*

*the escort chronicles all 5 volumes*

**Takeuchi TL230 Crawler Loader Parts Manual Instant Sn 223000001 And Up :**

**retrospective two by michael kenna lensculture com** - Dec 30 2022

web published as a companion book to the artist s twenty year retrospective michael kenna retrospective two presents an overview of kenna s landscape photographs made between 1994 and 2004 michael kenna is arguably the most influential landscape photographer of his generation

**retrospective two michael kenna store** - Sep 07 2023

web published by nazraeli press usa 2004 introduction by anne w tucker 130 photographs first edition 12 25 x 13 inches hardcover with dust jacket japanese and english pristine condition limited availability this book is available signed and or personalised by



*retrospective two by michael kenna goodreads* - Jun 04 2023

web jan 31 2004 4 67 18 ratings 1 review published as a companion book to the artist s twenty year retrospective michael kenna retrospective two presents an overview of kenna s landscape photographs made between 1994 and 2004 michael kenna is arguably the most influential landscape photographer of his generation

**michael kenna** - Jul 05 2023

web 1994 130 photographs published by treville japan in association with its original japanese publisher treville we are pleased to announce a new printing of michael kenna a twenty year retrospective the nazraeli press edition features a larger format than previous editions with high fidelity tritones printed 1 1 from original prints

[the master of landscape photography michael kenna photography](#) - Apr 21 2022

web sep 16 2014 over fifty books monologs and catalogs have been published on his work the retrospective series are probably the most wanted his unique minimalist imagery has inspired many and earned him a huge and loyal following kenna attended upholland college in lancashire the banbury school of art in oxfordshire and the london college

**michael kenna retrospective beaux livres ciltli kapak** - Aug 06 2023

web michael kenna retrospective beaux livres biroleau anne amazon com tr kitap

**michael kenna a twenty year retrospective nazareli press 2011** - May 23 2022

web in association with its original japanese publisher treville we are pleased to announce a new printing of michael kenna a twenty year retrospective the n

*michael kenna fifty years harris harvey gallery* - Aug 26 2022

web his mysterious photographs often made at dawn or in the dark hours of night concentrate primarily on the interaction between the natural landscape and human made structures kenna is both a diurnal and nocturnal photographer fascinated by times of day when light is at its most pliant

*a twenty year retrospective michael kenna store* - Jul 25 2022

web a twenty year retrospective nazraeli press 490 published by nazraeli press usa 2002 preface by ruth bernhard introduction by peter c bunnell 130 photographs first edition 12 25 x 13 inches hardcover with dust jacket japanese and english

**kenna s exhibition retrospective 2 youtube** - Mar 21 2022

web michael kenna retrospective

**michael kenna a retrospective artsy** - Mar 01 2023

web sep 10 2016 photo eye gallery is excited to announce michael kenna a retrospective an exhibition of black and white silver gelatin prints by seminal photographer michael kenna opening friday july 29th and continuing through september 10th

2016

*michael kenna a 20 year retrospective a twenty year retrospective* - Sep 26 2022

web michael kenna michael kenna a 20 year retrospective a twenty year retrospective hardcover 31 march 2003 by michael kenna author 4 7 42 ratings see all formats and editions hardcover from 404 00 3 used from 404 00 signed like new condition second day shipping amazon prime print length 168 pages language english publisher nazraeli

**retrospective two michael kenna 9781590051115** - Jan 31 2023

web jan 31 2004 retrospective two hardcover january 31 2004 by michael kenna author 4 6 13 ratings see all formats and editions hardcover 117 04 16 used from 117 04 published as a companion book to the artist s twenty year retrospective michael kenna retrospective two presents an overview of kenna s landscape photographs

**michael kenna** - Oct 08 2023

web 2004 130 photographs published by nazraeli press usa published as a companion book to the artist s twenty year retrospective michael kenna retrospective two presents an overview of kenna s landscape photographs made between 1994 and 2004 michael kenna is arguably the most influential landscape photographer of his generation

**hardcover march 31 2003 amazon com** - Apr 02 2023

web mar 31 2003 michael kenna michael kenna a 20 year retrospective hardcover march 31 2003 by michael kenna author 4 6 44 ratings see all formats and editions hardcover 89 00 16 used from 64 01 1 collectible from 89 93 text english japanese print length 168 pages language english publisher nazraeli press publication date

**blog michael kenna a retrospective photo eye** - Feb 17 2022

web jul 26 2016 photo eye gallery is excited to formally debut three online portfolios corresponding with our exhibition michael kenna a retrospective on view this friday july 29th as a part of the railyard arts district s last friday art walk

**michael kenna a 20 year retrospective photo book** - Jun 23 2022

web this book is a wonderful introduction and overview of the career of micheal kenna kenna s long lived exposures and unusual eye for his subject material are unmistakably unique it is no wonder he is considered one of the world s most collectible photographers and appeals to collectors just beginning to develop an interest in photography

*michael kenna retrospective two photo book* - Oct 28 2022

web published as a companion book to the artist s twenty year retrospective michael kenna retrospective two presents an overview of kenna s landscape photographs made between 1994 and 2004 michael kenna is arguably the most influential landscape photographer of his generation

*michael kenna retrospective two nazareli press 2004* - May 03 2023

web published as a companion book to the artist s twenty year retrospective michael kenna retrospective two presents an

overview of kenna s landscape photograp

[michael kenna](#) - Nov 28 2022

web michael kenna retrospective 2009 152 photographs bibliotheque nationale de france preface by bruno racine

introduction by anne biroleau french and english 2010 michael kenna wall calendar 2009 13 photographs nazraeli press usa

english in hokkaido 2009 50 photographs ram japan

*up in the air the story of bessie coleman trailblazer* - Apr 10 2023

web abebooks com up in the air the story of bessie coleman trailblazer biographies 9780876149782 by hart philip s o connor

barbara and a great selection of similar new used and collectible books available now at great prices

*up in the air the story of bessie coleman* - Sep 22 2021

**up in the air the story of bessie coleman trailblazer** - Feb 25 2022

web up in the air the story of bessie coleman trailblazer biographies philip s hart a cotswold village real time hybrid learning

engagement in fresno california oea worked with fresno unified school district to develop a hybrid engagement package

*up in the air the story of bessie coleman trailblazer* - Aug 14 2023

web up in the air the story of bessie coleman trailblazer biographies hart philip s on amazon com free shipping on qualifying

offers

**up in the air the story of bessie coleman trailblazer** - Nov 24 2021

web jul 13 2021 ethics is an end to end process it starts with policymaking then decision making then design of software

then design of what data to use then training algorithms then how end users are using the data and results the ethics

governance for the whole end to end process is an essential part when building learning analytics and ai in

**up in the air the story of bessie coleman trailblazer** - Aug 02 2022

web up in the air the story of bessie coleman trailblazer biographies publisher carolrhoda books sku song0876149786 isbn

9780876149782 condition used price 6 73 condition shipping tax will be calculated at checkout estimated delivery time 7 14

days international delivery time 2 to 4 weeks

**up in the air the story of bessie coleman google books** - Jan 07 2023

web aug 1 2009 up in the air the story of bessie coleman user review kirkus a serviceable biography in the traiblazers series

about the brief and incandescent life of bessie coleman 18921926

[up in the air the story of bessie coleman trailbla pdf pdf](#) - Mar 29 2022

web up in the air the story of bessie coleman trailbla pdf upload caliva z murray 2 32 downloaded from elections freep com

on august 1 2023 by caliva z murray up in the air the story of bessie coleman trailbla pdf pdf introduction page 5 about this

book up in the air the story of bessie coleman trailbla pdf pdf page 5 acknowledgments

[amazon.com customer reviews up in the air the story of](#) - Dec 06 2022

web find helpful customer reviews and review ratings for up in the air the story of bessie coleman at amazon.com read honest and unbiased product reviews from our users

**up in the air the story of bessie coleman trailblazer** - Feb 08 2023

web abebooks.com up in the air the story of bessie coleman trailblazer biographies new in shrink wrap up in the air the story of bessie coleman trailblazer biographies by hart philip s

**up in the air the story of bessie coleman trailbla 2022** - Oct 24 2021

web trailbla 1 up in the air the story of bessie coleman trailbla recognizing the habit ways to acquire this books up in the air the story of bessie coleman trailbla is additionally useful you have remained in right site to begin getting this info acquire the up in the air the story of bessie coleman trailbla belong to that we offer here and

**up in the air the story of bessie coleman trailbla pdf** - Dec 26 2021

web jun 9 2023 up in the air the story of bessie coleman trailbla 2 8 downloaded from uniport.edu.ng on june 9 2023 by guest to love the culture of what he calls airworld finding contentment within pressurized cabins anonymous hotel rooms and a wardrobe of wrinkle free slacks with a letter of resignation sitting on his boss's desk

**up in the air the story of bessie coleman trailbla pdf** - Apr 29 2022

web jul 15 2023 up in the air the story of bessie coleman trailbla 1 8 downloaded from uniport.edu.ng on july 15 2023 by guest up in the air the story of bessie coleman trailbla recognizing the pretentiousness ways to acquire this books up in the air the story of bessie coleman trailbla is additionally useful

**up in the air the story of bessie coleman trailbla copy** - Jan 27 2022

web may 18 2023 air the story of bessie coleman trailbla member that we come up with the money for here and check out the link you could buy guide up in the air the story of bessie coleman trailbla or acquire it as soon as feasible

**up in the air the story of bessie coleman trailbla htaccess** - May 31 2022

web mar 3 2023 born to fly is the gripping story of the fearless women pilots who aimed for the skies and beyond just nine years after american women finally got the right to vote a group of trailblazers soared to new heights in the 1929 air derby the first women's air race across the u.s follow the incredible lives of legend amelia earhart who has

*up in the air the story of bessie coleman trailblazers by philip* - Sep 03 2022

web up in the air the story of bessie coleman trailblazers by philip s hart in flight up in the air 1 mile high up in the air 2 grounded up in the air 3 and mr beautiful up in the air 4 up in the air the story of bessie coleman trailblazer biographies paperback may 1

**up in the air the story of bessie coleman trailblazer** - Oct 04 2022

web presents the story of bessie coleman an american who in 1920 traveled to france to become the first black woman to earn a pilot s license paperback 112 pages published on june 1 1996

[up in the air the story of bessie coleman google books](#) - Jun 12 2023

web up in the air the story of bessie coleman philip s hart carolrhoda books 1996 juvenile nonfiction 80 pages the author of flying free america s first black aviators c 1992

**up in the air the story of bessie coleman goodreads** - May 11 2023

web may 1 1996 20 ratings4 reviews these insightful biographies highlight men and women who have struggled to overcome adversity to accomplish their goals along the way these inspiring people have blazed a trail through history genres

[up in the air the story of bessie coleman trailblazer](#) - Nov 05 2022

web amazon in buy up in the air the story of bessie coleman trailblazer biographies book online at best prices in india on amazon in read up in the air the story of bessie coleman trailblazer biographies book reviews author details and more at amazon in free delivery on qualified orders

[up in the air the story of bessie coleman trailbla joycelyn](#) - Jul 01 2022

web bessie coleman carol alexander 2023 04 05 meet bessie coleman she was the first african american woman to earn her international pilots license and she did so against great odds no one in america was willing to teach a black woman to fly still bessie never gave up on her dream of becoming a world famous aviator

**up in the air the story of bessie coleman hart philip s free** - Jul 13 2023

web english 80 pages 24 cm presents the story of bessie coleman an american who in 1920 traveled to france to become the first black woman to earn a pilot s license includes bibliographical references page 78 and index dreaming of flying on to europe the barnstorming life flying high in florida afterword the inspiration

**up in the air the story of bessie coleman google books** - Mar 09 2023

web up in the air the story of bessie coleman user review kirkus a serviceable biography in the traiblazers series about the brief and incandescent life of bessie coleman 18921926 the first black woman to earn a pilot s license hart flying free 1992 not read full review

[simple flutes mark shepard google books](#) - Jan 14 2023

web simple flutes a guide to flute making and playing or how to make and play great homemade musical instruments for children and all ages from bamboo wood clay

**free simple flutes a guide to flute making and playing** - Jul 08 2022

web guide for parents this is the book for anyone who has ever wanted a deeper understanding of their children s illnesses or

sought a more holistic approach to children s health as

*simple flutes a guide to flute making and playing or how to* - Apr 17 2023

web toolsdetailed informationall measurementscolor photos simple flutes jul 03 2023 simple flutes of bamboo wood metal plastic or clay can be a joy to play and make this

**how to play the flute playing the flute musical** - Dec 13 2022

web books like simple flutes a guide to flute making and playing or how to make and play great homemade musical instruments for children and find out more

simple flutes a guide to flute making and playing or how to - Jun 07 2022

web feb 18 2021 here are seven easy songs for flute to help practice your new amazing flute skills 1 hot cross buns this piece might be one of the very first songs you learn to

simple flutes a guide to flute making and playing book - Mar 16 2023

web simple flutes of bamboo wood metal plastic or clay can be a joy to play and make this book gives you the basics of simple flute playing then offers guidelines for making

**seven easy flute songs for beginners to learn tonara** - Apr 05 2022

web as this simple flutes a guide to flute making and playing it ends taking place instinctive one of the favored books simple flutes a guide to flute making and

**dinner taste of flutes flutes at national museum singapore** - Oct 31 2021

**simple flutes a guide to flute making and playing or how to** - Aug 09 2022

web simple flutes of bamboo wood metal plastic or clay can be a joy to play and make this book gives you the basics of simple flute playing then offers

**simple flutes a guide to flute making and playing 2023** - May 06 2022

web jan 16 2018 buy simple flutes a guide to flute making and playing or how to make and play simple homemade musical instruments from bamboo wood cl

*simple flutes a guide to flute making and playing or how to* - Mar 04 2022

web jun 12 2023 simple flutes a guide to flute making and play link simple flutes of bamboo wood metal plastic or clay can be a joy to play and make this book gives

*simple flutes a guide to flute making and playing or how to* - Nov 12 2022

web simple flutes a guide to flute making and playing or how to make and play great homemade simple flutes a guide to flute making and playing or how to make

*simple flutes a guide to flute making and playing or* - Aug 21 2023

web jan 1 2001 simple flutes of bamboo wood metal plastic or clay can be a joy to play and make this book gives you the basics of simple flute playing then offers

simple flutes a guide to flute making and playing louise - Feb 03 2022

web nov 21 2023 for at least four years now former outkast rapper andré 3000 has been spotted in airport terminals and coffee shops from city to city and around the world

*simple flutes a guide to flute making and playing or how to* - Oct 23 2023

web jan 16 2018 simple flutes a guide to flute making and playing or how to make and play simple homemade musical instruments from bamboo wood clay metal

*a brief history of the flute in popular music slate magazine* - Dec 01 2021

**simple flutes a guide to flute making and playing or how to** - Oct 11 2022

web simple flutes a guide to flute making and playing or how to make and play great homemade musical instruments for children and all ages from bamboo wood clay metal

**simple flutes a guide to flute making and playing or how to** - May 18 2023

web simple flutes a guide to flute making and playing or how to make and play simple homemade musical instruments from bamboo wood clay metal pvc plastic or

simple flutes a guide to flute making and by shepard mark - Jun 19 2023

web simple flutes a guide to flute making and playing or how to make and play great homemade musical instruments for children and all ages from bamboo wood clay

simple flutes a guide to flute making and play link simp - Jan 02 2022

web kindly email us or send a whatsapp message to 65 89310934 for the latest menu note we require a deposit hold of 50 per diner at point of booking to reserve the table the

*simple flutes a guide to flute making and playing or how to* - Sep 10 2022

web simple flutes aug 08 2023 simple flutes of bamboo wood metal plastic or clay can be a joy to play and make this book gives you the basics of simple flute playing then

mark shepard s flute page play the flute make a - Jul 20 2023

web simple flutes a guide to flute making and playing or how to make and play simple homemade musical instruments from bamboo wood clay metal pvc plastic or

**simple flutes a guide to flute making and playing or how to** - Sep 22 2023

web jan 16 2018 simple flutes of bamboo wood metal plastic or clay can be a joy to play and make this book gives you the basics of simple flute playing then

simple flutes a guide to flute making playing or how to make - Feb 15 2023

web jan 1 2002 simple flutes mark shepard shepard publications jan 1 2002 music 44 pages simple flutes of bamboo wood metal plastic or clay can be a joy to play and