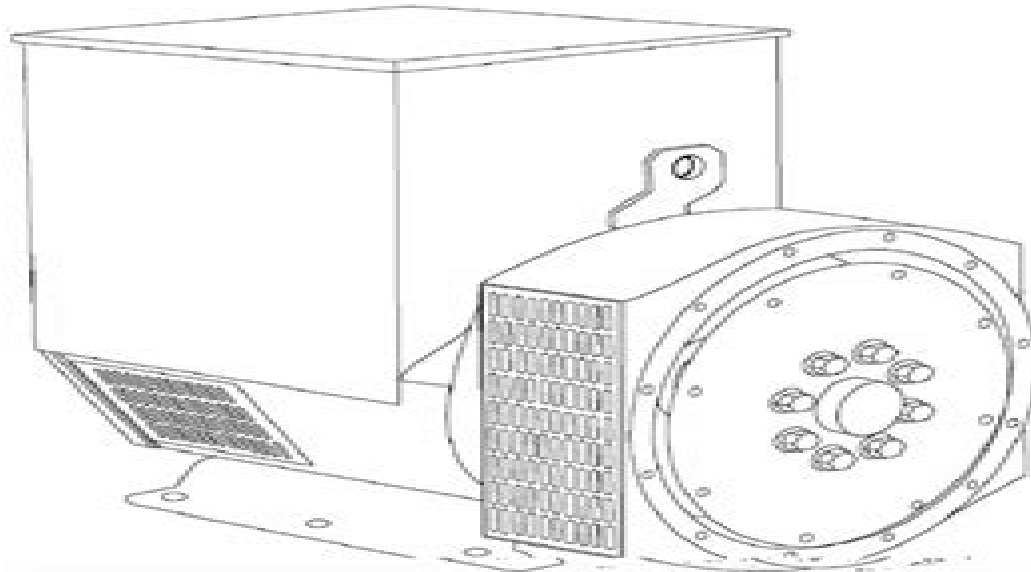


STAMFORD®



Installation, Service & Maintenance Manual

**AC generators with the following for prefixes:
UCI; UCM; UCD 224 & 274 .**

User Manual Stamford Generator

Defense Documentation Center (U.S.)



User Manual Stamford Generator:

Handbook of Military Infrared Technology; 1965 United States. Naval Research Office,1966 **Technical Manual**
United States. War Department,1945 **Index of Technical Publications** United States. Department of the Army,1977
DA Pam ,1967 Monthly Catalog of United States Government Publications United States. Superintendent of
Documents,1992 **Monthly Catalogue, United States Public Documents** ,1992-11 Pump User's Handbook Heinz P.
Bloch,Allan R. Budris,2004-07-13 A valuable reference Pump User s Handbook Life Extension explains just how and why the
best of class pump users are consistently achieving superior run lengths low maintenance expenditures and unexcelled safety
and reliability The book conveys in detail what must be done to rapidly accomplish best of class performance and low life
cycle cost Simply put the text explains what exactly needs to be done if a facility wants to progress from being a one two or
three year pump MTBF plant and wishes to join the leading money making facilities that today achieve a demonstrated pump
MTBF of 8 6 years Written by two practicing engineers whose combined 80 year working career included all conceivable
facets of pumping technology book provides experience based details data guidance direction explanations and firm
recommendations Implementing what this text explains will allow a plant to move from yesterday s demonstrably
unprofitable and costly repair focus to tomorrow s absolutely necessary reliability focus **Handbooks** Defense
Documentation Center (U.S.),1962 Generators in development projects Santiago Arnalich ,2014-03-29 Generators are an
essential part of many projects and give rise to a very significant expenditure This book introduces you to them from the
management perspective It is not about turning you into an electrician or a mechanic but about choosing the most suitable
generator for your project and running it in the most economical way possible You will learn how to improve existing
installations determine the power required make informed choices between the different available options oversee key
aspects of the installation and avoid wasting energy that compromises the sustainability of the projects *Construction*
Methods and Equipment ,1956 **McGraw Electric Railway Manual** ,1900 Technical Abstract Bulletin Defense
Documentation Center (U.S.),1961-10 *Moody's Manual of Investments: American and Foreign* ,1926 Scientific and
Technical Aerospace Reports ,1983 **Construction Methods** ,1955 *Preliminary Design of an Intermittent Smoke Flow*
Visualization System Donald T. Ward,1993 PC Mag ,1985-07-09 PCMag com is a leading authority on technology
delivering Labs based independent reviews of the latest products and services Our expert industry analysis and practical
solutions help you make better buying decisions and get more from technology *Electrical Record and Buyer's Reference*
,1912 **Index of Patents Issued from the United States Patent Office** United States. Patent Office,1935 *Moody's*
Manual of Investments and Security Rating Service ,1926

As recognized, adventure as well as experience roughly lesson, amusement, as well as conformity can be gotten by just checking out a book **User Manual Stamford Generator** also it is not directly done, you could understand even more roughly this life, roughly the world.

We pay for you this proper as skillfully as simple mannerism to get those all. We meet the expense of User Manual Stamford Generator and numerous book collections from fictions to scientific research in any way. in the course of them is this User Manual Stamford Generator that can be your partner.

<https://movement.livewellcolorado.org/results/virtual-library/fetch.php/Xtrem%20Papers%20Add%20Maths%202013.pdf>

Table of Contents User Manual Stamford Generator

1. Understanding the eBook User Manual Stamford Generator
 - The Rise of Digital Reading User Manual Stamford Generator
 - Advantages of eBooks Over Traditional Books
2. Identifying User Manual Stamford Generator
 - Exploring Different Genres
 - Considering Fiction vs. Non-Fiction
 - Determining Your Reading Goals
3. Choosing the Right eBook Platform
 - Popular eBook Platforms
 - Features to Look for in an User Manual Stamford Generator
 - User-Friendly Interface
4. Exploring eBook Recommendations from User Manual Stamford Generator
 - Personalized Recommendations
 - User Manual Stamford Generator User Reviews and Ratings
 - User Manual Stamford Generator and Bestseller Lists
5. Accessing User Manual Stamford Generator Free and Paid eBooks

- User Manual Stamford Generator Public Domain eBooks
 - User Manual Stamford Generator eBook Subscription Services
 - User Manual Stamford Generator Budget-Friendly Options
6. Navigating User Manual Stamford Generator eBook Formats
- ePub, PDF, MOBI, and More
 - User Manual Stamford Generator Compatibility with Devices
 - User Manual Stamford Generator Enhanced eBook Features
7. Enhancing Your Reading Experience
- Adjustable Fonts and Text Sizes of User Manual Stamford Generator
 - Highlighting and Note-Taking User Manual Stamford Generator
 - Interactive Elements User Manual Stamford Generator
8. Staying Engaged with User Manual Stamford Generator
- Joining Online Reading Communities
 - Participating in Virtual Book Clubs
 - Following Authors and Publishers User Manual Stamford Generator
9. Balancing eBooks and Physical Books User Manual Stamford Generator
- Benefits of a Digital Library
 - Creating a Diverse Reading Collection User Manual Stamford Generator
10. Overcoming Reading Challenges
- Dealing with Digital Eye Strain
 - Minimizing Distractions
 - Managing Screen Time
11. Cultivating a Reading Routine User Manual Stamford Generator
- Setting Reading Goals User Manual Stamford Generator
 - Carving Out Dedicated Reading Time
12. Sourcing Reliable Information of User Manual Stamford Generator
- Fact-Checking eBook Content of User Manual Stamford Generator
 - Distinguishing Credible Sources
13. Promoting Lifelong Learning
- Utilizing eBooks for Skill Development

- Exploring Educational eBooks
14. Embracing eBook Trends
- Integration of Multimedia Elements
 - Interactive and Gamified eBooks

User Manual Stamford Generator Introduction

User Manual Stamford Generator Offers over 60,000 free eBooks, including many classics that are in the public domain. Open Library: Provides access to over 1 million free eBooks, including classic literature and contemporary works. User Manual Stamford Generator Offers a vast collection of books, some of which are available for free as PDF downloads, particularly older books in the public domain. User Manual Stamford Generator : This website hosts a vast collection of scientific articles, books, and textbooks. While it operates in a legal gray area due to copyright issues, its a popular resource for finding various publications. Internet Archive for User Manual Stamford Generator : Has an extensive collection of digital content, including books, articles, videos, and more. It has a massive library of free downloadable books. Free-eBooks User Manual Stamford Generator Offers a diverse range of free eBooks across various genres. User Manual Stamford Generator Focuses mainly on educational books, textbooks, and business books. It offers free PDF downloads for educational purposes. User Manual Stamford Generator Provides a large selection of free eBooks in different genres, which are available for download in various formats, including PDF. Finding specific User Manual Stamford Generator, especially related to User Manual Stamford Generator, might be challenging as theyre often artistic creations rather than practical blueprints. However, you can explore the following steps to search for or create your own Online Searches: Look for websites, forums, or blogs dedicated to User Manual Stamford Generator, Sometimes enthusiasts share their designs or concepts in PDF format. Books and Magazines Some User Manual Stamford Generator books or magazines might include. Look for these in online stores or libraries. Remember that while User Manual Stamford Generator, sharing copyrighted material without permission is not legal. Always ensure youre either creating your own or obtaining them from legitimate sources that allow sharing and downloading. Library Check if your local library offers eBook lending services. Many libraries have digital catalogs where you can borrow User Manual Stamford Generator eBooks for free, including popular titles. Online Retailers: Websites like Amazon, Google Books, or Apple Books often sell eBooks. Sometimes, authors or publishers offer promotions or free periods for certain books. Authors Website Occasionally, authors provide excerpts or short stories for free on their websites. While this might not be the User Manual Stamford Generator full book , it can give you a taste of the authors writing style. Subscription Services Platforms like Kindle Unlimited or Scribd offer subscription-based access to a wide range of User Manual Stamford Generator eBooks, including some popular titles.

FAQs About User Manual Stamford Generator Books

How do I know which eBook platform is the best for me? Finding the best eBook platform depends on your reading preferences and device compatibility. Research different platforms, read user reviews, and explore their features before making a choice. Are free eBooks of good quality? Yes, many reputable platforms offer high-quality free eBooks, including classics and public domain works. However, make sure to verify the source to ensure the eBook credibility. Can I read eBooks without an eReader? Absolutely! Most eBook platforms offer webbased readers or mobile apps that allow you to read eBooks on your computer, tablet, or smartphone. How do I avoid digital eye strain while reading eBooks? To prevent digital eye strain, take regular breaks, adjust the font size and background color, and ensure proper lighting while reading eBooks. What the advantage of interactive eBooks? Interactive eBooks incorporate multimedia elements, quizzes, and activities, enhancing the reader engagement and providing a more immersive learning experience. User Manual Stamford Generator is one of the best book in our library for free trial. We provide copy of User Manual Stamford Generator in digital format, so the resources that you find are reliable. There are also many Ebooks of related with User Manual Stamford Generator. Where to download User Manual Stamford Generator online for free? Are you looking for User Manual Stamford Generator PDF? This is definitely going to save you time and cash in something you should think about. If you trying to find then search around for online. Without a doubt there are numerous these available and many of them have the freedom. However without doubt you receive whatever you purchase. An alternate way to get ideas is always to check another User Manual Stamford Generator. This method for see exactly what may be included and adopt these ideas to your book. This site will almost certainly help you save time and effort, money and stress. If you are looking for free books then you really should consider finding to assist you try this. Several of User Manual Stamford Generator are for sale to free while some are payable. If you arent sure if the books you would like to download works with for usage along with your computer, it is possible to download free trials. The free guides make it easy for someone to free access online library for download books to your device. You can get free download on free trial for lots of books categories. Our library is the biggest of these that have literally hundreds of thousands of different products categories represented. You will also see that there are specific sites catered to different product types or categories, brands or niches related with User Manual Stamford Generator. So depending on what exactly you are searching, you will be able to choose e books to suit your own need. Need to access completely for Campbell Biology Seventh Edition book? Access Ebook without any digging. And by having access to our ebook online or by storing it on your computer, you have convenient answers with User Manual Stamford Generator To get started finding User Manual Stamford Generator, you are right to find our website which has a comprehensive collection of books online. Our library is the biggest of these that have literally hundreds of thousands of different products represented. You will also see that there are specific sites catered to different categories or niches related with User Manual Stamford Generator So depending on what exactly

you are searching, you will be able to choose ebook to suit your own need. Thank you for reading User Manual Stamford Generator. Maybe you have knowledge that, people have search numerous times for their favorite readings like this User Manual Stamford Generator, but end up in harmful downloads. Rather than reading a good book with a cup of coffee in the afternoon, instead they juggled with some harmful bugs inside their laptop. User Manual Stamford Generator is available in our book collection an online access to it is set as public so you can download it instantly. Our digital library spans in multiple locations, allowing you to get the most less latency time to download any of our books like this one. Merely said, User Manual Stamford Generator is universally compatible with any devices to read.

Find User Manual Stamford Generator :

[xtrem papers add maths 2013](#)

[xerox phaser 6100 color laser printer service repair manual](#)

xr200 service manual

xr75 honda manual

[xbox 360 wireless mic manual](#)

[xerox phaser 84user manual](#)

xj40 repair manual

[xtremepapers mark scheme maths](#)

xerox workcentre 7228 7235 7245 evaluator guide

xr250l workshop manual

xtremepapers june 2 sociology o levels

xitsonga paper 2 2014 grade 12

xtremepapers mathematics a level

[xc90 srs airbag service urgent](#)

xperia phone manual

User Manual Stamford Generator :

the bible in ge ez ethiopic [] [] - Jun 13 2023

web download the bible in ge ez ethiopic [] [] download now or read online youversion the bible app bible com

geezbible - Jan 28 2022

web browse bible browse the books and chapters of the bible easy to reach from you device

geez new testament find bible - Jul 02 2022

web jul 28 2014 geez ethiopic bible collection opensource language english ethiopic geez english bilingual old testament

bible octateuch addeddate 2014 07 28

ethiopic bible tau - Jan 08 2023

web today ge'ez is used as the main liturgical language of the ethiopian orthodox tewahedo church and eritrean orthodox tewahedo church the ethiopian catholic church and

ge'ez wikipedia - Dec 07 2022

web ge'ez language also spelled geez liturgical language of the ethiopian church ge'ez is a semitic language of the southern peripheral group to which also belong the south

the bible in geez worldbibles org - Nov 25 2021

the bible in ግጥም ge ez ethiopic - Jul 14 2023

web hundreds of versions in 1600 different languages the bible that goes with you anywhere download now scan this qr code with your mobile device to download the free bible app

the haile selassie amharic bible - Dec 27 2021

tigrigna bible - Jun 01 2022

web tigrinya bible ግጥም ግጥም ግጥም ግጥም nt ግጥም ግጥም ግጥም ግጥም ግጥም ግጥም ግጥም ግጥም ግጥም ግጥም

the bible in ግጥም ge ez ethiopic - Feb 09 2023

web the bible in ethiopic ge ez following august dillmann s edition digitized by ran hacohen

tigrigna geez bible with audio apps on google play - Mar 10 2023

web the bible in ግጥም ge ez ethiopic most popular versions ግጥም ግጥም ግጥም ግጥም bible society of ethiopia available translations bible versions 3016 languages 2000

tigrigna bible - Aug 15 2023

web online tigrigna bible or tigrinya bible with smart search for eritrea ethiopia languages written in geez or ethiopic unicode fonts search the bible using a keyword you can

tigrinya bible - Feb 26 2022

web other names for the geez language ancient ethiopic ethiopic ge ez giiz

ge ez bible - Apr 11 2023

web step scripture tools for every person ge ez bible geez bible book name chapters in the book genesis 1 2 3 4 5 6 7 8 9 10
11 12 13 14 15 16 17 18 19 20 21 22

geez amharic bible on the app store - Apr 30 2022

web the bible is god s word and there is salvation in no one else for there is no other name under heaven given among men
by which we must be saved acts 4 12 amharic

tigrinya bible geez experience - Oct 25 2021

bible translations into ge'ez wikipedia - May 12 2023

piovanelli pierluigi aksum and the bible old assumptions and new perspectives aethiopica 21 2018 7 27 open access mikre
sellassie g a 2000 07 01 the early translation of the bible into ethiopic geez the bible translator 51 3 302 316 doi 10 1177
026009350005100302 issn 2051 6770 s2cid 162571327

ethiopic geez english bilingual old testament bible octateuch - Mar 30 2022

web the first complete amharic bible was produced in 1840 and went thru several revisions thereafter the version of the bible
presented here was the fulfillment of the expressed

ethiopic four gospels the british library - Nov 06 2022

web browse bible browse the books and chapters of the bible easy to reach from you device smart search search the bible
using a keyword you can search for an exact match or

geez amharic bible ቅዱስ ጳጳስ ጳጳስ apps on - Aug 03 2022

web features of geez amharic bible orthodox bible 81 read read the bible and follow along with a commentary or your own
study notes compare two or three

ge'ez language ethiopian semitic ancient britannica - Oct 05 2022

web geez new testament indigenous to language geez

tigrinya bible - Sep 04 2022

web online tigrigna bible or tigrinya bible with smart search for eritrea ethiopia languages written in geez or ethiopic
unicode fonts

bus interchanges smrt corporation - Apr 01 2022

web nov 29 2022 bukit panjang integrated transport hub 15 petir road singapore 678270 situated beside bukit panjang lrt
within hillion mall 75 176 180 180a 184 920 922 970 972 972a 972m 973 973a 975 975a 975b 975c 976 979 choa chu kang
interchange 70 choa chu kang loop singapore 689688 beside choa chu kang mrt

busch trifft spitzweg 9783150110201 zvab - Nov 08 2022

web busch trifft spitzweg beim zvaab com isbn 10 3150110203 isbn 13 9783150110201 reclam philipp jun 2015 hardcover

busch trifft spitzweg hartmann karl heinz amazon de bücher - Oct 19 2023

web busch trifft spitzweg hartmann karl heinz isbn 9783150110201 kostenloser versand für alle bücher mit versand und verkauf duch amazon

hartmann karl heinz busch trifft spitzweg - Oct 07 2022

web busch trifft spitzweg von karl heinz hartmann verlag reclam philipp jun gebundene ausgabe isbn 978 3 15 011020 1 erschienen am 22 07 2015 sprache deutsch format 219 mm h x 162 mm b x 18 mm t gewicht 538 gramm umfang 160 seiten preis 22 00 keine versandkosten inland bei uns vorrätig erdgeschoss

busch trifft spitzweg 9783150110201 abebooks - Feb 11 2023

web busch trifft spitzweg isbn 10 3150110203 isbn 13 9783150110201 reclam philipp jun 2015 hardcover

busch vacuum solutions singapore 1 for vacuum pumps - Aug 05 2022

web manufacturer of vacuum pumps blowers compressors and systems solutions for all industries and applications global service network

busch trifft spitzweg hartmann karl heinz amazon de books - May 14 2023

web jul 2 2015 select the department you want to search in

busch trifft spitzweg german amazon sg books - Jan 10 2023

web hello sign in account lists returns orders cart

busch wilhelm spitzweg carl busch trifft spitzweg - Sep 18 2023

web busch wilhelm spitzweg carl busch trifft spitzweg 160 s 22 00 euro was passiert wenn man gedichte von wilhelm busch und gemälde von carl spitzweg einander

busch trifft spitzweg karl heinz hartmann book2look - Dec 09 2022

web busch trifft spitzweg karl heinz hartmann es ist verblüffend stellt man gedichte von wilhelm busch und gemälde von carl spitzweg einander gegenüber so scheint es fast als wäre ein text direkt für ein bestimmtes bild geschrieben oder ein bild inspiriert durch speziell diesen einen text gemalt worden

cycling for the climate busch singapore - Jun 03 2022

web maulburg germany 25 07 2023 0 5 min the aim of the campaign was to promote cycling take action against climate change and further enhance the quality of life in maulburg every year more and more municipalities in germany participate in the initiative which has been taking place since 2008 in 2023 there were 2 748

busch trifft spitzweg abebooks - Mar 12 2023

web busch trifft spitzweg and a great selection of related books art and collectibles available now at abebooks com

busch semiconductor service locations busch singapore - May 02 2022

web nippon busch k k 1 23 33 megumigaoka hiratsuka city kanagawa japan 259 1220 81 0 463 504010 info busch co jp
semiconductor shanghai china semiconductor service facility busch vacuum shanghai co ltd no 1200 zixing road zizhu high
tech industrial park minhang shanghai 200241 prc 86 0 21 67600800 busch busch

busch trifft spitzweg zvb - Apr 13 2023

web busch trifft spitzweg und eine große auswahl ähnlicher bücher kunst und sammlerstücke erhältlich auf zvb com

busch trifft spitzweg bueltmann gerriets de - Sep 06 2022

web busch trifft spitzweg herausgeber hartmann karl heinz verlag reclam philipp jun hardcover gebundene ausgabe isbn 978
3 15 011020 1 erschienen am 22 07 2015 sprache deutsch format 22 1 cm x 17 0 cm x 2 0 cm gewicht 544 gramm umfang
160 seiten 59 abbildungen

busch trifft spitzweg by karl heinz hartmann goodreads - Jul 16 2023

web was passiert wenn man gedichte von wilhelm busch und gemälde von carl spitzweg einander gegenüber stellt es scheint
fast als wäre ein gedicht direkt für ein bestimmtes bild geschrieben worden und umgekehrt dabei haben sich die beiden
wenn überhaupt nur flüchtig gekannt

busch trifft spitzweg amazon sg books - Jun 15 2023

web hello sign in account lists returns orders cart

busch exchange service for vacuum pumps busch singapore - Jul 04 2022

web exchange service from busch quick exchange of your failed vacuum pumps blowers or compressors

busch trifft spitzweg von karl heinz hartmann buch thalia - Aug 17 2023

web jul 22 2015 beschreibung was passiert wenn man gedichte von wilhelm busch und gemälde von carl spitzweg einander
gegenüber stellt es scheint fast als wäre ein gedicht direkt für ein bestimmtes bild geschrieben worden und umgekehrt dabei
haben sich die beiden wenn überhaupt weiterlesen

ambush singapore 9 bishan place junction 8 shopping tripadvisor - Feb 28 2022

web feb 21 2021 ambush unclaimed review save share 121 reviews 1 069 of 10 004 restaurants in singapore european 9
bishan place junction 8 shopping centre 02 19 20 27 junction 8 shopping centre singapore 579837 singapore 65 6353 3960
website menu add hours improve this listing see all 73

clinical medicine for the mrcp paces volume 2 oxford - Mar 03 2022

jul 15 2010 clinical medicine for mrcp paces will equip the candidate attempting the mrcp examination with the skills and
knowledge necessary for success and will also provide an overview of evidence based medicine for competency based
training

clinical medicine for the mrcp paces google books - Jul 19 2023

Jul 15 2010 clinical medicine for the mrcp paces gautam mehta bilal iqbal oup oxford Jul 15 2010 medical 664 pages volume 1 of a two volume mrcp text this book includes cases which mimic

title pages clinical medicine for the mrcp oxford academic - Feb 14 2023

mehta gautam and bilal iqbal title pages clinical medicine for the mrcp paces volume 1 core clinical skills oxford specialty training revision texts oxford 2010 online edn oxford academic 12 nov 2020 doi org 10 1093 oso 9780199542550 002 0001

clinical medicine for the mrcp paces volume 1 core clinical - Jan 13 2023

clinical medicine for mrcp paces will equip the candidate attempting the mrcp examination with the skills and knowledge necessary for success and will also provide an overview of evidence based medicine for competency based training

throughout this and volume 2 the authors explore all aspects of the candidate s performance from clinical

foreword clinical medicine for the mrcp paces oxford - Mar 15 2023

clinical medicine for the mrcp paces volume 1 core clinical skills oxford specialty training revision texts oxford 2010 online edn oxford academic 12 nov 2020 doi org 10 1093 oso 9780199542550 002 0002 accessed 6 nov 2022

clinical medicine for the mrcp paces volume 1 core clinical - Aug 08 2022

english en pdf 74 7mb ost clinical medicine for the mrcp paces volume 1 pdf clinical medicine for the mrcp paces volume 1 core clinical skills oxford university press oxford specialty training revision texts 2010

oxford specialty training dratef net free download borrow - May 05 2022

Jun 7 2020 oxford specialty training dratef net get all the medical books more than 100 000 old and new medical books for free and also you can download them you can also find all the drug and disease information in this app you will find all the medical books you need

ost clinical medicine for the mrcp paces volume 1 core clinical - Jun 06 2022

volume 1 core clinical skills oxford speciality training clinical medicine for the mrcp paces Sep 17 2023 a book of over 150 cases which mimic the style and approach of the mrcp paces exam the book will equip the candidate attempting to pass the mrcp examination and will also provide an overview of evidence based medicine for competency

respiratory system clinical medicine for the mrcp paces - Jul 07 2022

interstitial lung disease is a common case for the respiratory section of the mrcp paces examination quite often they are cases of idiopathic pulmonary fibrosis cryptogenic fibrosing alveolitis or in the context of systemic commonly rheumatological disease

clinical medicine for the mrcp paces v 1 core clinical oxford - May 17 2023

clinical medicine for mrcp paces will equip the candidate attempting the mrcp examination with the skills and knowledge

necessary for success and will also provide an overview of evidence based medicine for competency based training
[medicine for mrcp oxford academic](#) - Feb 02 2022

the 27 chapters mapped out to the rcp syllabus cover all areas from molecular medicine and genetics through to medical law and ethics each chapter begins with the basic science required for part 1 before covering the clinical medicine for part 1 part 2 and the paces examinations

[ost clinical medicine for the mrcp paces volume 1 core clinical](#) - Oct 10 2022

clinical medicine for mrcp paces will equip the candidate attempting the mrcp examination with the skills and knowledge necessary for success and will also provide an overview of evidence based medicine for competency based training
clinical medicine for the mrcp paces volume 1 core clinical - Sep 21 2023

jul 15 2010 volume 1 of a two volume mrcp text this book includes cases which mimic the style and approach of the mrcp paces exam clinical medicine for mrcp paces will equip the candidate attempting the mrcp examination with the skills and knowledge necessary for success and will also provide an overview of evidence based medicine for competency based
clinical medicine for the mrcp paces volume 1 core clinical - Apr 16 2023

jul 15 2010 buy clinical medicine for the mrcp paces volume 1 core clinical skills oxford specialty training revision texts illustrated by mehta gautam iqbal bilal isbn 9780199542550 from amazon s book store everyday low
clinical medicine for the mrcp paces google books - Sep 09 2022

jul 15 2010 clinical medicine for mrcp paces will equip the candidate attempting the mrcp examination with the skills and knowledge necessary for success and will also provide an overview of

ost clinical medicine for the mrcp paces volume 1 core clinical - Jun 18 2023

sep 13 2010 ost clinical medicine for the mrcp paces volume 1 core clinical skills oxford specialty training revision texts 1st edition by gautam mehta author bilal iqbal author 4 7 58 ratings part of oxford specialty training revision texts 41 books see all formats and editions

buy clinical medicine for the mrcp paces volume 1 core clinical - Dec 12 2022

clinical medicine for the mrcp paces volume 1 core clinical skills oxford specialty training revision texts paperback 15 july 2010 by bilal iqbal author gautam mehta author 4 7 4 7 out of 5 stars 58 ratings part of oxford specialty training revision texts 41

ost medical cases for mrcp paces pack oxford specialty - Apr 04 2022

sep 10 2010 in each of these two volumes the authors include clinical cases which mimic the style and approach of the mrcp paces exam these sample cases equip the reader attempting the exam with the skills and knowledge necessary for success and provide an overview of evidence based medicine for competency based training

clinical medicine for the mrcp paces pack pack oxford - Aug 20 2023

jul 15 2010 buy clinical medicine for the mrcp paces pack pack oxford specialty training revision texts 1 by mehta gautam iqbal bilal bowman deborah isbn 9780199578689 from amazon s book store everyday low

ost clinical medicine for the mrcp paces volume 1 co - Nov 11 2022

sep 13 2010 volume 1 of a two volume mrcp text this book includes cases which mimic the style and approach of the mrcp paces exam clinical medicine for mrcp paces will equip the candidate attempting the mrcp examination with the skills and knowledge necessary for success and will also provide an overview of evidence based medicine for competency based