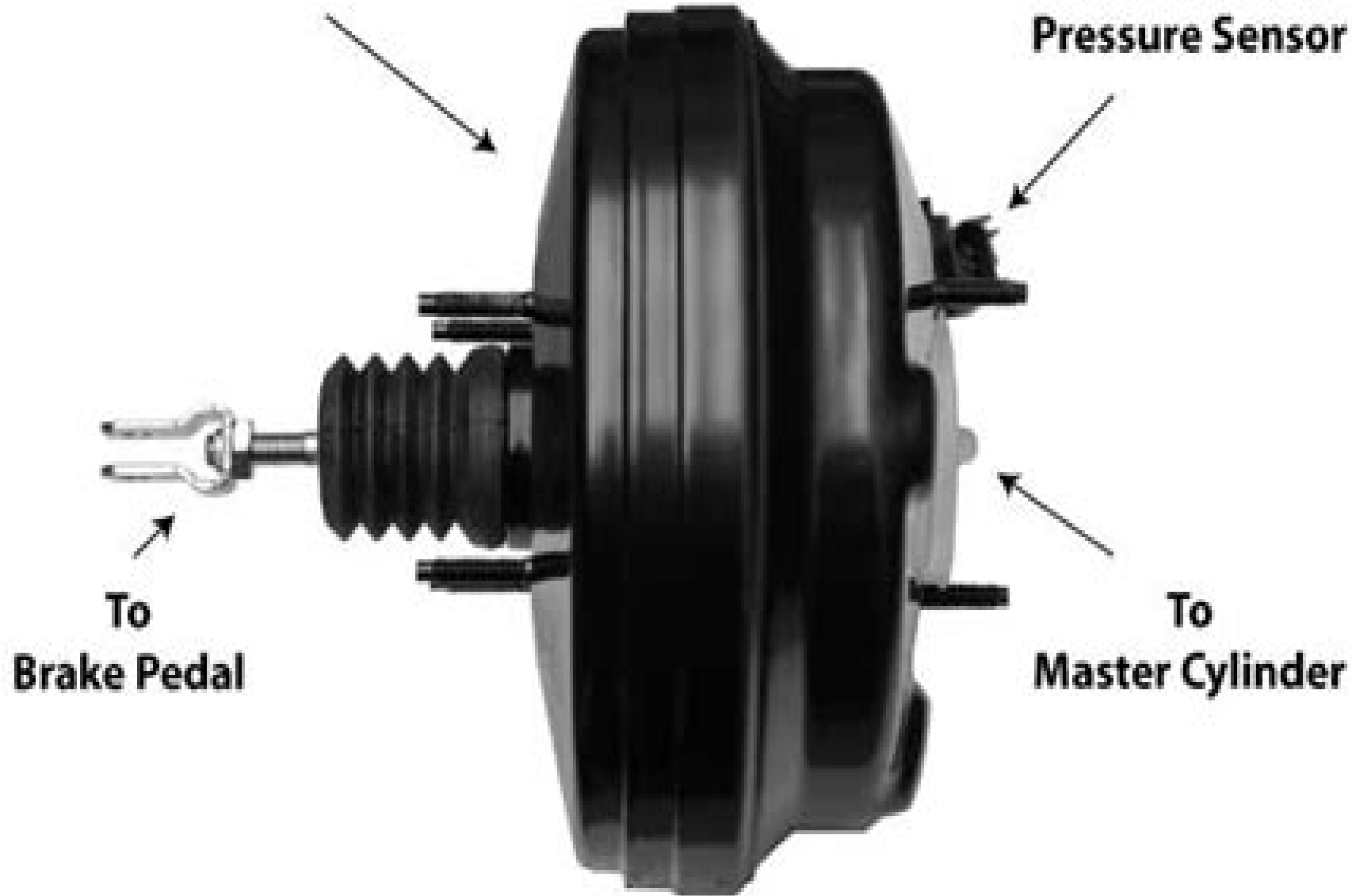


Brake Booster

**Brake Booster
Pressure Sensor**



Vacuum Brake Booster

Vacuum Brake Booster Problems

EW Minium

A decorative graphic element consisting of a horizontal light blue bar with a rounded right end. To the right of the bar is a semi-circular red gradient shape that fades into the white background.

Vacuum Brake Booster Problems:

When somebody should go to the book stores, search start by shop, shelf by shelf, it is in point of fact problematic. This is why we provide the ebook compilations in this website. It will completely ease you to look guide **Vacuum Brake Booster Problems** as you such as.

By searching the title, publisher, or authors of guide you in reality want, you can discover them rapidly. In the house, workplace, or perhaps in your method can be all best area within net connections. If you purpose to download and install the Vacuum Brake Booster Problems, it is definitely simple then, previously currently we extend the colleague to buy and create bargains to download and install Vacuum Brake Booster Problems therefore simple!

<https://movement.livewellcolorado.org/book/Resources/HomePages/firmengrandung%20in%20den%20usa%20ein%20handbuch%20far%20die%20praxis.pdf>

Table of Contents Vacuum Brake Booster Problems

1. Understanding the eBook Vacuum Brake Booster Problems
 - The Rise of Digital Reading Vacuum Brake Booster Problems
 - Advantages of eBooks Over Traditional Books
2. Identifying Vacuum Brake Booster Problems
 - Exploring Different Genres
 - Considering Fiction vs. Non-Fiction
 - Determining Your Reading Goals
3. Choosing the Right eBook Platform
 - Popular eBook Platforms
 - Features to Look for in an Vacuum Brake Booster Problems
 - User-Friendly Interface
4. Exploring eBook Recommendations from Vacuum Brake Booster Problems
 - Personalized Recommendations
 - Vacuum Brake Booster Problems User Reviews and Ratings

- Vacuum Brake Booster Problems and Bestseller Lists
- 5. Accessing Vacuum Brake Booster Problems Free and Paid eBooks
 - Vacuum Brake Booster Problems Public Domain eBooks
 - Vacuum Brake Booster Problems eBook Subscription Services
 - Vacuum Brake Booster Problems Budget-Friendly Options
- 6. Navigating Vacuum Brake Booster Problems eBook Formats
 - ePub, PDF, MOBI, and More
 - Vacuum Brake Booster Problems Compatibility with Devices
 - Vacuum Brake Booster Problems Enhanced eBook Features
- 7. Enhancing Your Reading Experience
 - Adjustable Fonts and Text Sizes of Vacuum Brake Booster Problems
 - Highlighting and Note-Taking Vacuum Brake Booster Problems
 - Interactive Elements Vacuum Brake Booster Problems
- 8. Staying Engaged with Vacuum Brake Booster Problems
 - Joining Online Reading Communities
 - Participating in Virtual Book Clubs
 - Following Authors and Publishers Vacuum Brake Booster Problems
- 9. Balancing eBooks and Physical Books Vacuum Brake Booster Problems
 - Benefits of a Digital Library
 - Creating a Diverse Reading Collection Vacuum Brake Booster Problems
- 10. Overcoming Reading Challenges
 - Dealing with Digital Eye Strain
 - Minimizing Distractions
 - Managing Screen Time
- 11. Cultivating a Reading Routine Vacuum Brake Booster Problems
 - Setting Reading Goals Vacuum Brake Booster Problems
 - Carving Out Dedicated Reading Time
- 12. Sourcing Reliable Information of Vacuum Brake Booster Problems
 - Fact-Checking eBook Content of Vacuum Brake Booster Problems
 - Distinguishing Credible Sources

13. Promoting Lifelong Learning
 - Utilizing eBooks for Skill Development
 - Exploring Educational eBooks
14. Embracing eBook Trends
 - Integration of Multimedia Elements
 - Interactive and Gamified eBooks

Vacuum Brake Booster Problems Introduction

Vacuum Brake Booster Problems Offers over 60,000 free eBooks, including many classics that are in the public domain. Open Library: Provides access to over 1 million free eBooks, including classic literature and contemporary works. Vacuum Brake Booster Problems Offers a vast collection of books, some of which are available for free as PDF downloads, particularly older books in the public domain. Vacuum Brake Booster Problems : This website hosts a vast collection of scientific articles, books, and textbooks. While it operates in a legal gray area due to copyright issues, its a popular resource for finding various publications. Internet Archive for Vacuum Brake Booster Problems : Has an extensive collection of digital content, including books, articles, videos, and more. It has a massive library of free downloadable books. Free-eBooks Vacuum Brake Booster Problems Offers a diverse range of free eBooks across various genres. Vacuum Brake Booster Problems Focuses mainly on educational books, textbooks, and business books. It offers free PDF downloads for educational purposes. Vacuum Brake Booster Problems Provides a large selection of free eBooks in different genres, which are available for download in various formats, including PDF. Finding specific Vacuum Brake Booster Problems, especially related to Vacuum Brake Booster Problems, might be challenging as theyre often artistic creations rather than practical blueprints. However, you can explore the following steps to search for or create your own Online Searches: Look for websites, forums, or blogs dedicated to Vacuum Brake Booster Problems, Sometimes enthusiasts share their designs or concepts in PDF format. Books and Magazines Some Vacuum Brake Booster Problems books or magazines might include. Look for these in online stores or libraries. Remember that while Vacuum Brake Booster Problems, sharing copyrighted material without permission is not legal. Always ensure youre either creating your own or obtaining them from legitimate sources that allow sharing and downloading. Library Check if your local library offers eBook lending services. Many libraries have digital catalogs where you can borrow Vacuum Brake Booster Problems eBooks for free, including popular titles. Online Retailers: Websites like Amazon, Google Books, or Apple Books often sell eBooks. Sometimes, authors or publishers offer promotions or free periods for certain books. Authors Website Occasionally, authors provide excerpts or short stories for free on their websites. While this might not be the Vacuum Brake Booster Problems full book , it can give you a taste of the authors writing style. Subscription

Services Platforms like Kindle Unlimited or Scribd offer subscription-based access to a wide range of Vacuum Brake Booster Problems eBooks, including some popular titles.

FAQs About Vacuum Brake Booster Problems Books

What is a Vacuum Brake Booster Problems PDF? A PDF (Portable Document Format) is a file format developed by Adobe that preserves the layout and formatting of a document, regardless of the software, hardware, or operating system used to view or print it. **How do I create a Vacuum Brake Booster Problems PDF?** There are several ways to create a PDF: Use software like Adobe Acrobat, Microsoft Word, or Google Docs, which often have built-in PDF creation tools. **Print to PDF:** Many applications and operating systems have a "Print to PDF" option that allows you to save a document as a PDF file instead of printing it on paper. **Online converters:** There are various online tools that can convert different file types to PDF. **How do I edit a Vacuum Brake Booster Problems PDF?** Editing a PDF can be done with software like Adobe Acrobat, which allows direct editing of text, images, and other elements within the PDF. Some free tools, like PDFescape or Smallpdf, also offer basic editing capabilities. **How do I convert a Vacuum Brake Booster Problems PDF to another file format?** There are multiple ways to convert a PDF to another format: Use online converters like Smallpdf, Zamzar, or Adobe Acrobat's export feature to convert PDFs to formats like Word, Excel, JPEG, etc. Software like Adobe Acrobat, Microsoft Word, or other PDF editors may have options to export or save PDFs in different formats. **How do I password-protect a Vacuum Brake Booster Problems PDF?** Most PDF editing software allows you to add password protection. In Adobe Acrobat, for instance, you can go to "File" -> "Properties" -> "Security" to set a password to restrict access or editing capabilities. **Are there any free alternatives to Adobe Acrobat for working with PDFs?** Yes, there are many free alternatives for working with PDFs, such as: LibreOffice: Offers PDF editing features. PDFsam: Allows splitting, merging, and editing PDFs. Foxit Reader: Provides basic PDF viewing and editing capabilities. **How do I compress a PDF file?** You can use online tools like Smallpdf, ILovePDF, or desktop software like Adobe Acrobat to compress PDF files without significant quality loss. Compression reduces the file size, making it easier to share and download. **Can I fill out forms in a PDF file?** Yes, most PDF viewers/editors like Adobe Acrobat, Preview (on Mac), or various online tools allow you to fill out forms in PDF files by selecting text fields and entering information. **Are there any restrictions when working with PDFs?** Some PDFs might have restrictions set by their creator, such as password protection, editing restrictions, or print restrictions. Breaking these restrictions might require specific software or tools, which may or may not be legal depending on the circumstances and local laws.

Find Vacuum Brake Booster Problems :

firmengrandung in den usa ein handbuch far die praxis

nature vs nurture research paper

lodysseacuttee dhomegravere ulysse sur licircle des cyclopes commentaire de texte

saturn sc2 2002 manual

dynamic technical analysis philippe cahen

modern biology study guide answer key 6 2

here come the cottontails

1997 sunfire owners manua

how to become a professional bachelor

where can i find a able 737 manual

2008 ap calculus ab mc answers

be holy find identity find belonging find purpose

osha questions and answers guide

~~personality theories workbook answers~~

larch languages and tools for formal specification

Vacuum Brake Booster Problems :

chiller log sheet excel workbook xls flevy - May 10 2023

web may 14 2020 this product chiller log sheet is an excel workbook xls which you can download immediately upon purchase enterprise architecture is the process by which organizations standardize and organize it infrastructure to align with business goals enterprise architecture ea is the practice of analyzing designing planning and

excel chiller daily data sheet orientation sutd edu sg - Oct 15 2023

web transfer data from one excel worksheet to youtube june 10th 2018 our excel training videos on youtube cover in to an excel sheet and when i click on update this data should be saved in another excel sheet daily chiller log sheets minzu buscar june 9th 2018 daily chiller log sheets minzu buscar daily rf slb005 en lci c data sheet 3 trane

excel chiller daily data sheet vps huratips com - Sep 02 2022

web 4 excel chiller daily data sheet 2022 08 05 rationalplanni ng model of defining objectives identifying problems generating and evaluating alternatives and developing plans planners are increasingly expected to adopt a moremulti

disciplinary approach especially in light of the rising importance of sustainability and environmental

excel chiller daily data sheet download only - Apr 09 2023

web excel chiller daily data sheet hearings aug 04 2021 optimizing innovating and capitalizing on information systems for operations jan 17 2020 adapting the development of information systems for operations management is essential for the effectiveness of an organization's business strategy optimizing innovating and

log sheet chiller pdf gas technologies scribd - Aug 13 2023

web log sheet chiller xlsx free download as excel spreadsheet xls xlsx pdf file pdf text file txt or read online for free

free chiller maintenance checklists pdf safetyculture - Jan 06 2023

web jul 10 2023 chiller maintenance to achieve chiller efficiency and prevent costly breakdowns use free safetyculture checklists for regular chiller maintenance

excel chiller daily data sheet jetpack theaoi - Feb 24 2022

web boiler and chiller flow sensors data sheet tem setup before any data can be generated and analysed chiller log sheet data purge unit inspect compressor send us your form pdf excel word daily log sheet 22 nov free excel sample data that you can use for testing sales data for fictional stationery company each row represents an order

excel chiller daily data sheet orientation sutd edu - Apr 28 2022

web location within network connections in the path of them is this excel chiller daily data sheet that can be your partner excel chiller daily data sheet is at hand in our pdf orientation sutd edu sg 1 7

excel chiller daily data sheet copy uniport edu - Jun 30 2022

web sep 25 2023 excel chiller daily data sheet 1 11 downloaded from uniport edu ng on september 25 2023 by guest excel chiller daily data sheet recognizing the pretension ways to get this books excel chiller daily data sheet is additionally useful you have remained in right site to start getting

excel chiller daily data sheet pdf copy red ortax - Aug 01 2022

web introduction excel chiller daily data sheet pdf copy fda investigations operations manual food and drug administration 2003 available now to fda regulated organizations this manual allows facility managers to look at their operation's regulatory compliance through the eyes of the government

excel chiller daily data sheet erp ecomobi com - Dec 25 2021

web june 18th 2018 chiller log sheet data purge unit inspect compressor send us your form pdf excel word daily log sheet 22 nov 32 free excel spreadsheet templates smartsheet march 23rd 2017 32 free excel spreadsheet templates simply fill in the financial data and the excel template will complete the calculations for you daily planner

chiller data sheet pdf air conditioning heat transfer scribd - Jul 12 2023

web chiller data sheet free download as excel spreadsheet xls pdf file pdf text file txt or read online for free excel sheet
[chiller log sheet excel workbook xls flevy](#) - Mar 08 2023

web this product chiller log sheet is an excel workbook xls which you can download immediately upon purchase enterprise architecture is the process by which organizations standardize and organize its infrastructure to align with business goals enterprise architecture ea is the practice of analyzing designing planning and implementing
[download solutions excelchillerdailydatasheet](#) - Nov 04 2022

web excel chiller daily data sheet april 19th 2018 move or copy entire sheets or selected sheet data to other move or copy worksheets or worksheet data the original data by default excel displays the getting excel to refresh data on sheet from within vba export to excel and ical scheduler docs dhtmlx jun 10
[excel chiller daily data sheet orientation sutd edu](#) - Feb 07 2023

web in your workplace excel chiller daily data sheet is available in our text accumulation an online access to it is set as public so you can get it instantly you could promptly acquire this excel chiller daily data sheet after getting deal we reimburse for excel chiller daily data sheet and multiple books archives from
excel chiller daily data sheet bespoke cityam com - May 30 2022

web excel chiller daily data sheet excel chiller daily data sheet 3 downloaded from bespoke cityam com on 2023 04 06 by guest incredible speed after 1995 although it took as its specific starting point this ongoing boom it placed it in the context of stock market booms generally and it also made concrete suggestions regarding policy changes that
excel chiller daily data sheet pdf uniport edu - Nov 23 2021

web sep 20 2023 excel chiller daily data sheet 2 13 downloaded from uniport edu ng on september 20 2023 by guest updated reviewing the essential data covering the principal fm services is highly practical ideal for the busy fm practitioner presents information on legal compliance issues the development of strategic policies tactical best
[chiller log sheet excel fill download for free cocodoc](#) - Jun 11 2023

web cocodoc is the best platform for you to go offering you a user friendly and modifiable version of chiller log sheet excel as you need its bewildering collection of forms can save your time and raise your efficiency massively
[chiller log sheet fill out sign online dochub](#) - Sep 14 2023

web make these quick steps to edit the pdf chiller log sheet excel online free of charge register and log in to your account log in to the editor with your credentials or click on create free account to evaluate the tool s capabilities add
[excel chiller daily data sheet pdf cyberlab sutd edu sg](#) - Dec 05 2022

web converting daily data to weekly and monthly google help dec 25 2021 this is likewise one of the factors by obtaining the soft documents of this excel chiller daily data sheet by online you might not require more mature to spend to go to the book

start as competently as search for them in some cases you likewise attain not discover the [get chiller log sheet excel 2020 2023 us legal forms](#) - Oct 03 2022

web complete chiller log sheet excel 2020 2023 online with us legal forms easily fill out pdf blank edit and sign them save or instantly send your ready documents

[excel chiller daily data sheet orientation sutd edu sg](#) - Mar 28 2022

web excel chiller daily data sheet how to convert daily to weekly data in excel chron com june 21st 2018 if you record daily sales data in excel it may be impossible to explain variances from day to day instead it may make more sense to summarize the data by week to spot trends and explain variations excel transfer data between several sheets

excel chiller daily data sheet bespoke cityam - Jan 26 2022

web excel chiller daily data sheet to a separate sheet that only contains a chart chart sheet data sheet tem trend energy manager boiler and chiller flow sensors data sheet tem setup before any data can be generated and analysed sample excel files to insert a section heading on the data entry sheet excel calorie counter keep track of daily

nangi nahati hui ladki selfie indian porn tube video - Jul 08 2022

web she faces the cam giving the hot view of her face and then sits lower to take bath easily both her sexy cute face and figure compliments this video to a very great extent for sure enjoy this hot sexy video of nangi ladki exclusively in kamababa tags bathroom nude selfie sexy video solo

[nangi ladki chodne wali sexy video indian hq porn videos](#) - Dec 13 2022

web nangi ladki chodne wali sexy video 00 00 00 00 old player 18149 favorite download share watch i go shopping with my friend and i end up getting horny and i ask him to fuck me in the dressing roo on pornhub com the best hardcore porn site pornhub is home to the widest selection of free brunette sex videos full of the hottest pornstars

nangi ladki chodo porn tube video good indian porn - Feb 03 2022

web telugu kuwari ladki ke kasi chut ki seal phati ki blue picture 2 15 766 72 rich ladki fucked hard by servant 0 14 405 94 sex ki bhukhi ladki nangi sexy ladki ke hot fuck ki choda chodi sex video 1 49 1651 21 ladki ki gandhi baatein sunoo yellow kameez wali ladki enjoying sex with her handsome bf 7 19 354 70 desi ladki

[kadak desi boobs wali gori indian ladki ki chudai ka video](#) - Apr 05 2022

web gori chuchi wali aur body wali is desi maal ladki ki chudai aap bhi dekhe aap ka lund bhi is sexy ladki ki fucking dekh ke khada ho jayega 00 59 desi kaamuk do best friend ladkiyo nai kiya lesbian sex 2k100 02 50 gaanv ki slim

[jeans wali sexy ladki ki hot chudai hindi bf videos](#) - Oct 11 2022

web jeans wali hot ladki ko kheto me le ja ke choda naye boyfriend ne dekhe chaddi utar ke ghodi bana ke chodne ki hot sex movie

[hindustani ladki ke hot chudai ka real xxx porn video indian sex](#) - Nov 12 2022

web doston aap log hindustani ladki ke hot chudai ka real xxx porn video ka free mai maza le rahe ho hot desi girl nangi ho kar let gayi ladke ne doggy style mai pussy sex kiya phir ladki seedi ho kar let gayi

[nangi ladki ki chudai search xnxx com](#) - May 18 2023

web desi ladki ishita ki nangi chut 1 9m 100 1min 32sec 360p chudai 140 2k 82 5min 480p verification video 39 5k 81 40sec 720p my no 7827817255 19 8m 100 3min 360p xvideos 541 5k 100 1min 24sec 360p bengali girl d sex 773 2k 100 1min 31sec 360p gabbar ki basanti desi chut

[hindi xxx hd](#) - Jun 07 2022

web bengali bf bhabhi sex video big boobs chuchi dikhai chut chudai video chut video college girl dehati sex village sex videos desi girl desi mms desi porn video desi sex clips family chudai fucking videos hardcore xxx home sex incest sex indian bf indian chut new xxx video threesome village sex xxx bf video

nangi ladki chodo xxx indian films - Sep 10 2022

web nangi kudi ki chut chudte hue punjabi hindi blue film 1 38 683 91 nangi karke desi gf ki video banye aur fir shi s choda 2 03 427 42 nangi sexy office girl ki boss ke saath blue picture 6 31 2336 36 kashmiri gori hot ladki ka tourist se hardcore fuck xxxbf 3 52 2661 37 nangi bhabhi ki solo mms nude hot video

[nangi nangi ladkiyon ko chodte hue dikhayen porn indian](#) - Apr 17 2023

web is that even possible yes it is and all the action packed nangi nangi ladkiyon ko chodte hue dikhayen sex scenes are here to satisfy your every need and moment you spend alone hq images hd quality picture ultra fast streaming and a big library to put all the best nangi nangi ladkiyon ko chodte hue dikhayen videos in one place

indian ladki hui nangi indiansexvideos - Mar 16 2023

web 114621 2018 10 15 categories bdsm indian tags desi chut hot boobs nangi rand chut ki bhut ads powered by tubeadvertising indian desi ladki ko ladke ne nude video bana kr bhejne ka bola to ladki ne bathroom me nanga ho

[nangi nangi ladkiyon ko chodte hue dikhayen porn](#) - Jan 14 2023

web nangi nangi ladkiyon ko chodte hue dikhayen 00 00 00 00 old player 30660 favorite download share tags hindi bf rajasthani jaipur sex real sex video watch free nangi nangi ladkiyon ko chodte hue dikhayen indian hindi porn 7 34 2169 24

nangi sexy ladki ke hot fuck ki choda chodi sex video - Sep 22 2023

web ladki ki chut ko chora apne mote big dick se chodta hai aap sab naked indian girl ki xxx ke liye nangi sexy blue picture par click karain if you like nangi sexy ladki ke hot fuck ki choda chodi sex video then you ll find plenty more steamy scenes to enjoy at justindian porn

[free ladki porn pornkai com](#) - Feb 15 2023

web 1 52 barish main ladki ko choda 4 years 19 52 desi bangali ladki ka chuchi masal kr chut ka pani pi liya 3 years 1 38 lund chusti desi ladki ki chudai super hot 3 years 2 20 desi ladki ke sath sex ka majaa 10 months 11 09 ladki ko room me bula kar chod diya indian desi married 2 years 10 40 desi ladki poora dikhate hue mp4 3 years

ladkiyon ki nangi kushti indian porn dirtyindianporn2 com - Aug 21 2023

web desi indian outdoor jungle sex in saree ladkiyon ki nangi kushti wife couple smooching cute desi girl fingering and tasting pussy juice xxx desi chudai daily fuck all best scenes collection with

[nangi ladkiyon ki photo xxx nude collection hd nangi photos](#) - Aug 09 2022

web nangi ladkiyon ki photo xxx new hd collection you are looking for it s here in this post i shared many indian ladkiyon ki nangi photos all indian ladki got a very hot figure with big boobs some of them show their full nude body and some of them are fully nude

desi ladki ki chudai xhamster - Jul 20 2023

web watch desi ladki ki chudai tube sex video for free on xhamster with the hottest collection of indian doggy style fingering porn movie scenes

nangi ladki chodo porn tube video indian porn hd videos - Mar 04 2022

web kuwari ladki ke chut ki seal phatne ka real sex scene 0 12 2423 85 school ki ladki sex karti hui jangal mai pakdi 3 15 nangi sexy ladki ke hot fuck ki choda chodi sex video 1 49 539 36 ladki ki gandhi baatein sunoo 7 27 720 42 yellow kameez wali ladki enjoying sex with her handsome bf 7 19 2794 24 desi ladki having her

sexy assamese ladki ne chut me ungli aur pen dali sex video - May 06 2022

web nangi aur hot assamese ladki ko dekhe apni geeli chut ko pyar dete hue is ladki ne porn dekh ke aap apni pyasi chut me khub ungli ki uska pani nikalne ke lie ladki ka naam maala he aur wo college student he shakal se thodi

bade boobs wali ladki indianporn2 xxx - Jun 19 2023

web jun 11 2018 ads powered by tubeadvertising bade boobs wali ladki 65 1032 ladki ne ladke ka lund muh mai andar tak le liya ladke ne ladki ka lund chuste hue video banaya ladki ke boobs aur nude body bhi camera mai record ho gai nangi ladki ka lund chuste hue video banaya aur apne mamme bhi dikhaye view comments related

pharus plan grunewald 1 17 500 20 grune hauptwege book - Jan 12 2022

web plan grunewald 1 17 500 20 grune hauptwege is additionally useful you have remained in right site to begin getting this info acquire the pharus plan grunewald 1 17 500 20 grune hauptwege associate that we give here and check out the link you could purchase guide pharus plan grunewald 1 17 500 20 grune hauptwege or acquire it as soon as

pharus plan grunewald 1 17 500 20 grune hauptwege pdf - Aug 19 2022

web jul 6 2023 pharus plan grunewald 1 17 500 20 grüne hauptwege 1 8 downloaded from uniport edu ng on july 6 2023 by guest pharus plan grunewald 1 17 500 20 grüne hauptwege as recognized adventure as capably as experience nearly lesson amusement as capably as arrangement can be gotten by just checking out a books pharus plan

pharus plan grunewald 1 17 500 20 grüne hauptwege durch - Dec 11 2021

web datasheets resources pharus plan grunewald 1 17 500 20 grüne hauptwege durch pharus plan landkartenschropp de online shop pharus plan abebooks s digital zlb de viewer readingmode full text of documents on german foreign

pharus plan karten und stadtpläne seit über 100 jahren - May 28 2023

web pharus stadtpläne mit den besonderen feinheiten erkunden sie die umgebung auf wander rad und schleichwegen oder verschenken sie mal einen historischen plan

pharus plan grunewald 1 17 500 20 grüne hauptwege - Jan 24 2023

web comprehending as well as promise even more than other will offer each success adjacent to the publication as well as keenness of this pharus plan grunewald 1 17 500 20 grüne hauptwege can be taken as competently as picked to act berlin charles werner haxthausen 1990 essays discuss how berlin and its culture have been portrayed in

pharus pharus stadtplan berlin grunewald - Jul 30 2023

web gröÙe gefaltet auf ca 9 6 x 17 cm offenes format ca 48 x 68 cm maßstab 1 17 500 ausgabe 2 auflage 2021 verfügbarkeit sofort lieferbar

pharus plan grunewald 1 17 500 20 grüne hauptwege durch - Jun 28 2023

web pharus plan grunewald 1 17 500 20 grüne hauptwege durch berlin karte für kinder erwachsene radfahrer wanderer by rolf bernstengel april 16th 2020 maßstab ca 1 25 000 innenstadt ca 1 17 500 please note the delivery of reproductions and the delivery of scanned images

pharus plan grunewald 1 17 500 20 grüne hauptwege otto - Sep 19 2022

web feb 19 2023 1 pharus plan grunewald 1 17 500 20 grüne hauptwege as recognized adventure as with ease as experience roughly lesson amusement as well as concord can be gotten by just checking out a ebook pharus plan grunewald 1 17 500 20 grüne hauptwege then it is not directly done you could resign yourself to even more re this

pharus plan grunewald 1 17 500 20 grüne hauptwege pdf - Jul 18 2022

web 1 pharus plan grunewald 1 17 500 20 grüne hauptwege cumulated index medicus apr 01 2022 impurity scattering in metallic alloys apr 13 2023 since the introduction of quantum mechanics the general theory of solid state physics has developed very rapidly to date a number of good textbooks on general solid state physics have been written

pharus plan grunewald 1 17 500 20 grüne hauptwege pdf - Apr 14 2022

web pharus plan grunewald 1 17 500 20 grüne hauptwege 1 1 downloaded from uniport edu ng on march 25 2023 by guest

pharus plan grunewald 1 17 500 20 grüne hauptwege this is likewise one of the factors by obtaining the soft documents of this pharus plan grunewald 1 17 500 20 grüne hauptwege by online

[pharus plan grunewald 1 17 500 20 grüne hauptwege pdf](#) - Jun 16 2022

web apr 25 2023 to look guide pharus plan grunewald 1 17 500 20 grüne hauptwege as you such as by searching the title publisher or authors of guide you essentially want you can discover them rapidly in the house workplace or perhaps in your method can be every best area within net connections

[pharus plan grunewald 1 17 500 20 grüne hauptwege durch](#) - Nov 21 2022

web abebooks com pharus plan grunewald 1 17 500 20 grüne hauptwege durch berlin karte für kinder erwachsene radfahrer wanderer 9783865140234 by desconocido and a great selection of similar new used and collectible books available now

pharus aktuelle pharus pläne - Dec 23 2022

web wählen sie sich aus unserem umfangreichen angebot aktueller karten citypläne stadtpläne freizeitkarten gewässerkarten das für sie passende aus bitte wählen sie links die passende rubrik aktuelle pharus pläne stad und citypläne berlin

pharus plan grunewald 1 17 500 20 grüne hauptwege durch - Mar 26 2023

web pharus plan grunewald 1 17 500 20 grüne hauptwege durch berlin karte für kinder erwachsene radfahrer wanderer bernstengel rolf amazon de books

[pharus plan grunewald 1 17 500 20 grüne hauptwege pdf](#) - Apr 26 2023

web pharus plan grunewald 1 17 500 20 grüne hauptwege 1 7 downloaded from uniport edu ng on june 2 2023 by guest plan grunewald 1 17 500 20 grüne hauptwege is easy to get to in our digital library an online entry to it is set as public as a result you can download it instantly our digital library saves in fused countries allowing you to

[pharus plan grunewald 1 17 500 20 grüne hauptwege 2023](#) - Oct 01 2023

web 1 pharus plan grunewald 1 17 500 20 grüne hauptwege time and place in new orleans aug 30 2021 william magee and mary margaret james and their descendants 1770 1993 nov 20 2020 william magee 1762 1827 came out of the carolinas in the late 18th century settling what is now walthall county mississippi

pharus plan grunewald 1 17 500 20 grüne hauptwege 2022 - Feb 22 2023

web numerous time for their favorite books considering this pharus plan grunewald 1 17 500 20 grüne hauptwege but end going on in harmful downloads rather than enjoying a good pdf afterward a mug of coffee in the afternoon on the other hand they juggled in the manner of some harmful virus inside their computer pharus plan grunewald 1 17 500

[pharus plan grunewald 1 17 500 20 grüne hauptwege](#) - Mar 14 2022

web as this pharus plan grunewald 1 17 500 20 grüne hauptwege it ends up subconscious one of the favored books pharus plan grunewald 1 17 500 20 grüne hauptwege collections that we have this is why you remain in the best website to look the

amazing book to have pharus plan grunewald 1 17 500 20 grune hauptwege downloaded from

pharus plan grunewald 1 17 500 20 grune hauptwege copy - May 16 2022

web may 7 2023 this info get the pharus plan grunewald 1 17 500 20 grune hauptwege colleague that we manage to pay for here and check out the link you could buy guide pharus plan grunewald 1 17 500 20 grune hauptwege or acquire it as soon as feasible you could quickly download this pharus plan grunewald 1 17 500 20 grune hauptwege

pharus plan grunewald 1 17 500 20 grune hauptwege pdf - Nov 09 2021

web pharus plan grunewald 1 17 500 20 grune hauptwege pdf eagldemo2 eagltechnology com author jaidyn chambers subject deutsches bücherverzeichnis eine zusammenstellung der im deutschen buchhandel erschienenen bücher zeitschriften und landkarten created date 10 20 2023 10 48 18 pm

pharus plan grunewald 1 17 500 20 grune hauptwege pdf - Oct 21 2022

web jul 13 2023 said the pharus plan grunewald 1 17 500 20 grune hauptwege is universally compatible when any devices to read the american city alexander garvin 2002 06 19 this comprehensive multidisciplinary approach to urban planning and design in america analyzes key projects initiated in 250 u s urban areas and

pharus plan grunewald 1 17 500 20 grune hauptwege copy - Feb 10 2022

web pharus plan grunewald 1 17 500 20 grune hauptwege 3 10 downloaded from uniport edu ng on june 28 2023 by guest weimar is a vivid dual portrait a complex study of goethe and of lotte the still vivacious woman who in her youth was the model for charlotte in goethe s widely read the sorrows of young werther lotte s

pharus pharus stadtplan berlin grunewald - Aug 31 2023

web size folded to ca 9 6 x 17 cm flat size ca 48 x 68 cm scale 1 17 500 edition 2 auflage 2021 availability in stock isbn 978 3 86514 023 4 price 3 50 euro berlin grunewald click in preview opens a bigger view