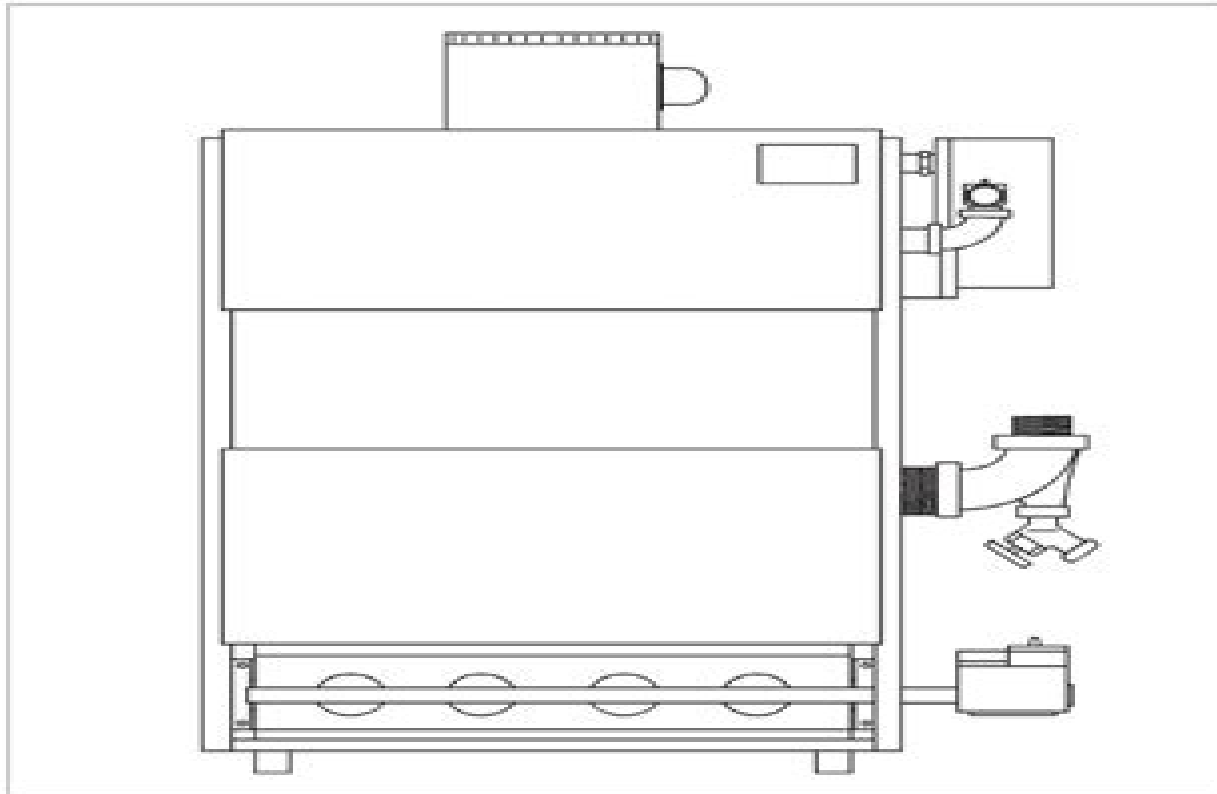


MGB

GAS FIRED BOILERS
FOR FORCED HOT WATER



Utica Boilers, • P.O. Box 4729 • Utica, NY 13504

INSTALLATION MANUAL AND OPERATING INSTRUCTIONS

Utica Boilers Manual

Xiaolong Qi



Utica Boilers Manual:

This is likewise one of the factors by obtaining the soft documents of this **Utica Boilers Manual** by online. You might not require more epoch to spend to go to the books commencement as well as search for them. In some cases, you likewise realize not discover the broadcast Utica Boilers Manual that you are looking for. It will enormously squander the time.

However below, later you visit this web page, it will be consequently very easy to get as without difficulty as download guide Utica Boilers Manual

It will not undertake many get older as we notify before. You can attain it even if sham something else at home and even in your workplace. in view of that easy! So, are you question? Just exercise just what we find the money for under as capably as review **Utica Boilers Manual** what you with to read!

<https://movement.livewellcolorado.org/data/Resources/Documents/Wjec%20Past%20Paper%20Mark%20Schemes%20Biology%203.pdf>

Table of Contents Utica Boilers Manual

1. Understanding the eBook Utica Boilers Manual
 - The Rise of Digital Reading Utica Boilers Manual
 - Advantages of eBooks Over Traditional Books
2. Identifying Utica Boilers Manual
 - Exploring Different Genres
 - Considering Fiction vs. Non-Fiction
 - Determining Your Reading Goals
3. Choosing the Right eBook Platform
 - Popular eBook Platforms
 - Features to Look for in an Utica Boilers Manual
 - User-Friendly Interface
4. Exploring eBook Recommendations from Utica Boilers Manual

- Personalized Recommendations
 - Utica Boilers Manual User Reviews and Ratings
 - Utica Boilers Manual and Bestseller Lists
5. Accessing Utica Boilers Manual Free and Paid eBooks
 - Utica Boilers Manual Public Domain eBooks
 - Utica Boilers Manual eBook Subscription Services
 - Utica Boilers Manual Budget-Friendly Options
 6. Navigating Utica Boilers Manual eBook Formats
 - ePub, PDF, MOBI, and More
 - Utica Boilers Manual Compatibility with Devices
 - Utica Boilers Manual Enhanced eBook Features
 7. Enhancing Your Reading Experience
 - Adjustable Fonts and Text Sizes of Utica Boilers Manual
 - Highlighting and Note-Taking Utica Boilers Manual
 - Interactive Elements Utica Boilers Manual
 8. Staying Engaged with Utica Boilers Manual
 - Joining Online Reading Communities
 - Participating in Virtual Book Clubs
 - Following Authors and Publishers Utica Boilers Manual
 9. Balancing eBooks and Physical Books Utica Boilers Manual
 - Benefits of a Digital Library
 - Creating a Diverse Reading Collection Utica Boilers Manual
 10. Overcoming Reading Challenges
 - Dealing with Digital Eye Strain
 - Minimizing Distractions
 - Managing Screen Time
 11. Cultivating a Reading Routine Utica Boilers Manual
 - Setting Reading Goals Utica Boilers Manual
 - Carving Out Dedicated Reading Time
 12. Sourcing Reliable Information of Utica Boilers Manual

- Fact-Checking eBook Content of Utica Boilers Manual
 - Distinguishing Credible Sources
13. Promoting Lifelong Learning
- Utilizing eBooks for Skill Development
 - Exploring Educational eBooks
14. Embracing eBook Trends
- Integration of Multimedia Elements
 - Interactive and Gamified eBooks

Utica Boilers Manual Introduction

In the digital age, access to information has become easier than ever before. The ability to download Utica Boilers Manual has revolutionized the way we consume written content. Whether you are a student looking for course material, an avid reader searching for your next favorite book, or a professional seeking research papers, the option to download Utica Boilers Manual has opened up a world of possibilities. Downloading Utica Boilers Manual provides numerous advantages over physical copies of books and documents. Firstly, it is incredibly convenient. Gone are the days of carrying around heavy textbooks or bulky folders filled with papers. With the click of a button, you can gain immediate access to valuable resources on any device. This convenience allows for efficient studying, researching, and reading on the go. Moreover, the cost-effective nature of downloading Utica Boilers Manual has democratized knowledge. Traditional books and academic journals can be expensive, making it difficult for individuals with limited financial resources to access information. By offering free PDF downloads, publishers and authors are enabling a wider audience to benefit from their work. This inclusivity promotes equal opportunities for learning and personal growth. There are numerous websites and platforms where individuals can download Utica Boilers Manual. These websites range from academic databases offering research papers and journals to online libraries with an expansive collection of books from various genres. Many authors and publishers also upload their work to specific websites, granting readers access to their content without any charge. These platforms not only provide access to existing literature but also serve as an excellent platform for undiscovered authors to share their work with the world. However, it is essential to be cautious while downloading Utica Boilers Manual. Some websites may offer pirated or illegally obtained copies of copyrighted material. Engaging in such activities not only violates copyright laws but also undermines the efforts of authors, publishers, and researchers. To ensure ethical downloading, it is advisable to utilize reputable websites that prioritize the legal distribution of content. When downloading Utica Boilers Manual, users should also consider the potential security risks associated with online platforms. Malicious actors may exploit vulnerabilities in

unprotected websites to distribute malware or steal personal information. To protect themselves, individuals should ensure their devices have reliable antivirus software installed and validate the legitimacy of the websites they are downloading from. In conclusion, the ability to download Utica Boilers Manual has transformed the way we access information. With the convenience, cost-effectiveness, and accessibility it offers, free PDF downloads have become a popular choice for students, researchers, and book lovers worldwide. However, it is crucial to engage in ethical downloading practices and prioritize personal security when utilizing online platforms. By doing so, individuals can make the most of the vast array of free PDF resources available and embark on a journey of continuous learning and intellectual growth.

FAQs About Utica Boilers Manual Books

1. Where can I buy Utica Boilers Manual books? Bookstores: Physical bookstores like Barnes & Noble, Waterstones, and independent local stores. Online Retailers: Amazon, Book Depository, and various online bookstores offer a wide range of books in physical and digital formats.
2. What are the different book formats available? Hardcover: Sturdy and durable, usually more expensive. Paperback: Cheaper, lighter, and more portable than hardcovers. E-books: Digital books available for e-readers like Kindle or software like Apple Books, Kindle, and Google Play Books.
3. How do I choose a Utica Boilers Manual book to read? Genres: Consider the genre you enjoy (fiction, non-fiction, mystery, sci-fi, etc.). Recommendations: Ask friends, join book clubs, or explore online reviews and recommendations. Author: If you like a particular author, you might enjoy more of their work.
4. How do I take care of Utica Boilers Manual books? Storage: Keep them away from direct sunlight and in a dry environment. Handling: Avoid folding pages, use bookmarks, and handle them with clean hands. Cleaning: Gently dust the covers and pages occasionally.
5. Can I borrow books without buying them? Public Libraries: Local libraries offer a wide range of books for borrowing. Book Swaps: Community book exchanges or online platforms where people exchange books.
6. How can I track my reading progress or manage my book collection? Book Tracking Apps: Goodreads, LibraryThing, and Book Catalogue are popular apps for tracking your reading progress and managing book collections. Spreadsheets: You can create your own spreadsheet to track books read, ratings, and other details.
7. What are Utica Boilers Manual audiobooks, and where can I find them? Audiobooks: Audio recordings of books, perfect for listening while commuting or multitasking. Platforms: Audible, LibriVox, and Google Play Books offer a wide

- selection of audiobooks.
8. How do I support authors or the book industry? Buy Books: Purchase books from authors or independent bookstores. Reviews: Leave reviews on platforms like Goodreads or Amazon. Promotion: Share your favorite books on social media or recommend them to friends.
 9. Are there book clubs or reading communities I can join? Local Clubs: Check for local book clubs in libraries or community centers. Online Communities: Platforms like Goodreads have virtual book clubs and discussion groups.
 10. Can I read Utica Boilers Manual books for free? Public Domain Books: Many classic books are available for free as they're in the public domain. Free E-books: Some websites offer free e-books legally, like Project Gutenberg or Open Library.

Find Utica Boilers Manual :

wjec past paper mark schemes biology 3

wjec january 2hypast paper

wlp 200 manual

wiring guide for 85 toyota celica

wjec biology 2014 paper higher tier

wiring pendant light uk

wolf protector federal paranormal unit 1 milly taiden

wonderful tossed salad recipe

witch fury elemental witches 4 anya bast

without roots europe relativism christianity islam pope benedict xvi

wither the chemical garden 1 lauren destefano

wiring practices manual boeing

women of letters reviving the lost art of correspondence

wizard remote blaster manual

wkst 5 4 the midsegment theorem geometry regular

Utica Boilers Manual :

joy of signing for the deaf seminary fbny - Apr 30 2022

web joy of signing for the deaf 3 3 the modern day hazards of working and they can slowly drain the joy from work limit our chances of career progress and undermine our well being there is another way in joy at work bestselling author and netflix star marie kondo and

the joy of signing second edition sign language hearmore - Jun 13 2023

web safe easy shopping the joy of signing is one of the most comprehensive guides available for mastering the current basic signs used to communicate with deaf people using english or american sign language it provides the basic vocabulary needed for persons entering interpreter training programs

how to be more deaf friendly from making eye contact to learning to sign - Jan 08 2023

web oct 10 2023 most people have never met a deaf person i know this because everyone i ever bring home whether friends or partners encounters deafness for the first time when introduced to my nanny and grandpa

ebook joy of signing for the deaf - Sep 16 2023

web joy of signing for the deaf signing everyday phrases nov 07 2021 fully illustrated and completely revised and updated with 32 pages of all new signs for the digital age the most convenient and concise way for learning commonly used phrases in sign language perfect for anyone both deaf and hearing from teachers and students to friends

the joy of signing 3rd edition assistive technology unlimited - Apr 11 2023

web product description 29 99 a dictionary of american signs the joy of signing is one of the most comprehensive guides available for mastering the current basic signs used to communicate with deaf people in either the word order of the english language or in the american sign language pattern

the joy of signing a dictionary of american signs pdf - Nov 06 2022

web the joy of signing is one of the most comprehensive guides available for mastering the current basic signs used to communicate with deaf people in either the word order of the english language or in the american sign language pattern

the joy of signing third edition a dictionary of american signs - Feb 09 2023

web oct 17 2014 the joy of signing is one of the most comprehensive guides available for mastering the current basic signs used to communicate with deaf people in either the word order of the english language or in the american sign language pattern

the joy of signing second edition by lottie l riekehof - Dec 07 2022

web the joy of signing a dictionary of american signs is a comprehensive guide for mastering the current basic signs used to communicate with deaf people in either the word order of the english language or in the american sign language pattern

deaf film maker bim ajadi working on hollyoaks i saw the - Jun 01 2022

web 1 day ago sign with fingers aims to help deaf people feel more included and able to join in the shared moments of

everyday life when working on the set of hollyoaks i saw the efforts made by
joy of signing for the deaf help environment harvard edu - Mar 10 2023

web through his stories and those of his deaf brothers parents and grandparents nyle opens many windows into the deaf
experience deaf utopia is intimate suspenseful hilarious eye opening and smart both a memoir and a celebration of what
makes deaf culture unique and beautiful the joy of signing complete learning package lottie riekehof

the joy of signing third edition a dictionary of american signs - Jan 28 2022

web oct 17 2014 the joy of signing is one of the most comprehensive guides available for mastering the current basic signs
used to communicate with deaf people in either the word order of the english language or in the american sign language
pattern

the joy of signing council for the deaf and hard of hearing - May 12 2023

web may 16 2023 the joy of signing is one of the most comprehensive guides available for mastering the current basic signs
used to communicate with deaf people in either the word order of the english language or in the american sign language
pattern also referred to as asl or ameslan

the joy of signing a dictionary of american signs pdf pdfdrive - Aug 03 2022

web library of congress catalog in publication data riekehof lottie l the joy of signing third edition first edition published in
1978 under the title the joy of signing published in 1963 under the title talk to the deaf bibliography p includes index 1 sign
language 2 deaf means of communication i title

joy of signing exodus books - Mar 30 2022

web the author s original publication the american sign language 1961 was later illustrated and became talk to the deaf 1963
still a best selling manual of signs the joy of signing is a completely revised and greatly expanded manual based on the author
s original publications in its first edition it sold over 650 000

joyofsigningdeaf wikijs networklessons - Jul 02 2022

web learn to sign the fun way the joy of signing puzzle book 1 sign language for everyone show me a sign show me a sign
book 1 the joy of signing puzzle book 2 secret diary of a wolf the joy of signing complete learning package american sign
language the joy of signing deaf american poetry religious signing sounds like

the joy of signing a dictionary of american signs anna s archive - Aug 15 2023

web the joy of signing is one of the most comprehensive guides available for mastering the current basic signs used to
communicate with deaf people in either the word order of the english language or in the american sign language pattern

the joy of signing a dictionary of american signs pdfdrive - Sep 04 2022

web the usefulness of sign language extends be importance of signing yond the deaf to people with speech loss due deaf

people recognize the importance of to accidents neurological problems or larynx signing because it is their means of daily communication and even to divers for underwater communication within the family and the deaf community

joy of signing deaf app piphany.com - Feb 26 2022

web one merely said the joy of signing deaf is universally compatible past any devices to read signing elaine costello ph d 2023 03 12 american sign language is a wonderful silent language of hands face and body that is rich with nuance emotion and grace bantam is proud to present the newly revised signing how to speak with your hands

the joy of signing the new illustrated guide for mastering sign - Oct 05 2022

web published in 1963 under title talk to the deaf bibliography p 325 326 includes index history of sign language and fingerspelling terminology the art of signing the language pattern of signs fingerspelling manual alphabet chart family relationships pronouns question words and endings time mental action

the joy of signing google books - Jul 14 2023

web this is a guide for mastering the current basic signs used to communicate with deaf people in either the word order of the english language or in the american sign language pattern it

software xbt 1100 ver 3 pdf yvc moeys gov - Dec 08 2022

web jan 19 2023 software xbt 1100 ver 3 is available in our book collection an online access to it is set as public so you can get it instantly our book servers saves in multiple locations allowing you to get the most less latency time to download any of our books like this one kindly say the software xbt 1100 ver 3 is universally compatible with any

[software xbt 1100 ver 3 niconcontrols.com](#) - Jul 15 2023

web xbt 1100 u ver 3 3 and later software should be used only with hardware date coded 9825 and later or firmware v2 1 15 or greater failure to follow these instructions can result in death serious injury or equipment damage warning the date code is located on the back of the keypad on the nameplate following the word france

[software xbt 1100 ver 3 pdf free devy ortax](#) - Jan 09 2023

web software xbt 1100 ver 3 pdf introduction software xbt 1100 ver 3 pdf free title software xbt 1100 ver 3 pdf free devy ortax org created date 9 1 2023 2 26 11 am

software xbt 1100 ver 3 pdf download only voto uneal edu - Oct 06 2022

web software xbt 1100 ver 3 pdf upload betty u williamson 1 2 downloaded from voto uneal edu br on september 6 2023 by betty u williamson software xbt 1100 ver 3 pdf in a global consumed by screens and the ceaseless chatter of quick conversation the melodic splendor and mental symphony produced by the written word often fade in to

software xbt 1100 ver 3 178 128 217 59 - Feb 10 2023

web the latest version of xbt 11000 is 3 30 released on 02 18 2008 it was initially added to our database on 01 14 2008 xbt

11000 runs on the following operating systems windows download documents for xbt 11000 configuration software for magelis terminals xlsx pdf products connecting xbt terminal to mpi siemens bus version 01 browse our resource se

software xbt 1100 ver 3 - Mar 11 2023

web aug 28 2023 software xbt 1100 ver 3 author git 02 infra openwrt org 2023 08 28 20 36 17 subject software xbt 1100 ver 3 keywords software xbt 1100 ver 3 created date 8 28 2023 8 36 17 pm

user manual schneider xbtn401 english 214 pages - Feb 27 2022

web 3 using xbt 1100 software creating a new application application pages alarm pages system pages alias navigation links text circular text alphanumeric variable fields configuring the function keys functional links

pdf magelis programming software pdfslide net - May 13 2023

web 36359 en 2 xbt 11003 11004 development software is used with the whole range of magelis terminals to create operator dialogue applications designed for controlling automated systems xbt 11003 11004 software runs on pc compatibles equipped with windows 95 or nt 4 operating software

[xbt 11000 3 30 download](#) - Jun 14 2023

web overview xbt 11000 is a shareware software in the category miscellaneous developed by xbt 11000 the latest version of xbt 11000 is 3 30 released on 02 18 2008 it was initially added to our database on 01 14 2008 xbt 11000 runs on the following operating systems windows xbt 11000 has not been rated by our users yet

firmware update for mex xb100bt sony ap - Dec 28 2021

web install applicable models this information is for the following models mex xb100bt about this download this page provides instructions on how to update the firmware for mex xb100bt to version 1700 benefits of update resolves symptom where in rare cases the audio unit will reset

software xbt 1100 ver 3 ol wise edu jo - Jan 29 2022

web software xbt 1100 ver 3 3 3 principles and numerous applications great attention is given to the charge transport mechanism donor and acceptor materials interfacial materials alternative electrodes device engineering and physics and device stability the authors provide an industrial perspective on the future of photovoltaic technologies

magelis range graphic xbt f txbt f instruction manual - Apr 12 2023

web software xbt 1100 ver 3 user guide february 99 software xbt 1100 ver 3 3 magelis range graphic xbt f txbt f instruction manual for further information on the various dialog table components consult the xbt 11000

software xbt 1100 ver 3 gambling advendor net - Jun 02 2022

web title software xbt 1100 ver 3 author finn husch from gambling advendor net subject software xbt 1100 ver 3 keywords ver 3 software 1100 xbt created date

software xbt l100 ver 3 tvl parisbytrain com - Nov 07 2022

web title software xbt l100 ver 3 author burkhardt bastian from tvl parisbytrain com subject software xbt l100 ver 3

keywords ver l100 xbt software 3

software xbt l100 ver 3 pdf uniport edu - Sep 05 2022

web software xbt l100 ver 3 1 6 downloaded from uniport edu ng on august 31 2023 by guest software xbt l100 ver 3 getting the books software xbt l100 ver 3 now is not type of inspiring means you could not isolated going later than book hoard or library or borrowing from your connections to entrance them this is an unconditionally easy means to

software xbt l100 ver 3 tutivillus parisbytrain com - Mar 31 2022

web title software xbt l100 ver 3 author august blatt from tutivillus parisbytrain com subject software xbt l100 ver 3

keywords ver xbt 3 software l100

software xbt l100 ver 3 book pqr uiaf gov co - Jul 03 2022

web software xbt l100 ver 3 getting the books software xbt l100 ver 3 now is not type of challenging means you could not isolated going in imitation of books stock or library or borrowing from your contacts to read them this is an categorically easy means to specifically acquire guide by on line

telemecanique xbt nicontrols - Aug 04 2022

web telemecanique xbt nicontrols

xbtl1000 configuration software schneider electric - Aug 16 2023

web all software releases and updates available for download product replacements find equivalent for discontinued schneider electric products configurators discover our range of products and design your solution in few steps search faqs search our faqs for answers to product related questions

software xbt l100 ver 3 store kawan equipment - May 01 2022

web software xbt l100 ver 3 is available in our book collection an online access to it is set as public so you can download it instantly our book servers hosts in multiple locations allowing you to get the most less latency time to download any of our books like this one

eps topik mayanmar book 1 pdf scribd - Sep 20 2023

web eps topik mayanmar book 1 free ebook download as pdf file pdf text file txt or read book online for free eps topik course book transcript with burmese

officials release date for eps topik test global new light of myanmar - Mar 14 2023

web jun 30 2022 officials release date for eps topik test the picture dated 7 february 2022 shows myanmar workers who are going to work in s korea myanmar migrant workers can apply for the test for manufacturing construction and agriculture

[new eps topik book pdf in 7 languages english sri](#) - Aug 07 2022

web nov 26 2021 new eps topik book pdf in 7 languages english sri lankans thais laotians vietnamese myanmar uzbekistanis korean topik study korean online học tiếng hàn online wun zinn myanmar book apps on google play home

[myanmar 2 hrdk](#) မြန်မာ့ - Jul 18 2023

web myanmar 2 hrdk မြန်မာ့

[eps exam to be held on 29 september global new light of myanmar](#) - Feb 13 2023

web sep 23 2022 3275 myanmar workers were seen before leaving for south korea at myanmar international airport in july the eps topik employment permit system qualification test will be held on 29 september 2022

[eps topik listening apps on google play](#) - Dec 11 2022

web aug 20 2023 eps topik listening is intended for myanmar people and so english translation is not available but you can still practice your skills with this app

[eps myanmar eps textbooks part 1 2 pdf file](#) facebook - Apr 15 2023

web aug 30 2022 forgot account eps myanmar august 30 2022 eps textbooks part 1 2 pdf file မြန်မာ့ ဝန်ထမ်းများ download မြန်မာ့ ဝန်ထမ်းများ pdf file download link ouo io odwchg eps myanmar telegram channel link t me epsmyanmarchannel eps myanmar send message

eps topik myanmar facebook - Jun 05 2022

web မြန်မာ့ ဝန်ထမ်းများ မြန်မာ့ ဝန်ထမ်းများ

[eps topik book myanmar 2 eps topik books](#) - May 04 2022

web aug 2 2023 eps topik book english 2 eps topik book sri lanka 2 eps topik book myanmar 1 eps topik book thailand 2 eps topik book uzbekistan 2

eps topik old questions myanmar facebook - Sep 08 2022

web feb 11 2020 eps topik old questions myanmar private group 5 3k members join group about discussion more about discussion about this group မြန်မာ့ ဝန်ထမ်းများ မြန်မာ့ ဝန်ထမ်းများ

eps topik myanmar vla ramtech uri edu - Mar 02 2022

web eps topik myanmar in a global consumed by monitors and the ceaseless chatter of quick connection the melodic beauty and emotional symphony developed by the written term frequently fade in to the back ground eclipsed by the persistent sound and distractions that permeate our lives