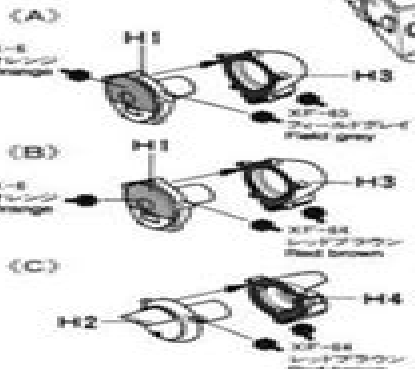
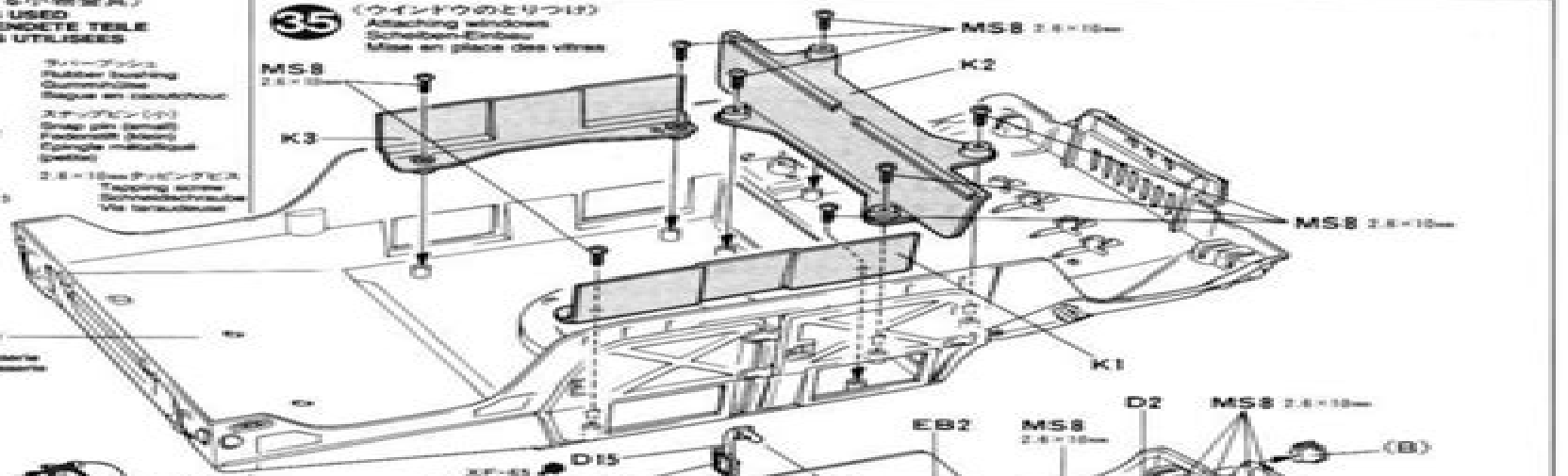


35 (使用する小物金具)
PARTS USED
VERWENDETE TEILE
PIECES UTILISEES

- EB2 1x2
Rubber bushing
Gummifeder
Bague en caoutchouc
- EB3 1x2
Snap pin (small)
Federstift (klein)
Coupes métallique (petit)
- MS8 1x10
2.8 x 10mm Tapping screw
Schneidbohrschraube
Vis taraudeuse

35 (ウインドウのとりつけ)
Attaching window
Scheiben-Einbau
Mise en place des vitres

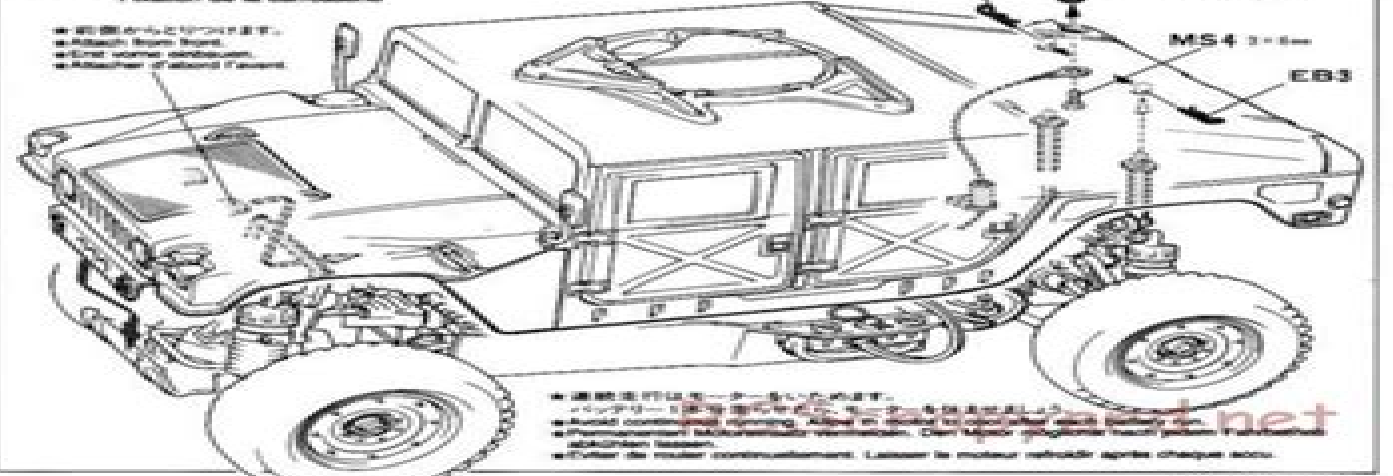


36 (使用する小物金具)
PARTS USED
VERWENDETE TEILE
PIECES UTILISEES

- EB1 1x1
Antenna holder
Support d'antenne
- EB3 1x2
Snap pin (small)
Federstift (klein)
Coupes métallique (petit)
- MS4 1x1
3 x 1mm screw
Schraube
Vis

36 (アンテナのとりつけ)
Attaching body
Karosserie befestigen
Fixation de la carrosserie

- 両面テープを貼る。 (貼る面は剥がす)
- 裏面を接着剤で貼る。
- 接着剤が乾くのを待つ。



(アンテナの取り付け)
Antenna construction
Einbau der Antenne
Assemblage de l'antenne



● 両面テープを貼る。 (貼る面は剥がす)
● 裏面を接着剤で貼る。
● 接着剤が乾くのを待つ。

● 連続動作は必ず一クールを挟む。
● 連続動作は必ず一クールを挟む。
● Avoid continuous running. Allow the motor to cool down after each run.
● Évitez les courses continues. Laissez le moteur refroidir après chaque course.

Tamiya Hummer Manual

Helming



Tamiya Hummer Manual:

This is likewise one of the factors by obtaining the soft documents of this **Tamiya Hummer Manual** by online. You might not require more time to spend to go to the ebook launch as skillfully as search for them. In some cases, you likewise accomplish not discover the statement Tamiya Hummer Manual that you are looking for. It will totally squander the time.

However below, when you visit this web page, it will be hence totally easy to acquire as well as download lead Tamiya Hummer Manual

It will not resign yourself to many mature as we notify before. You can pull off it though take steps something else at home and even in your workplace. as a result easy! So, are you question? Just exercise just what we meet the expense of below as well as review **Tamiya Hummer Manual** what you in imitation of to read!

<https://movement.livewellcolorado.org/About/Resources/HomePages/volkswagen%20tiguan%202009%202010%20parts%20manual.pdf>

Table of Contents Tamiya Hummer Manual

1. Understanding the eBook Tamiya Hummer Manual
 - The Rise of Digital Reading Tamiya Hummer Manual
 - Advantages of eBooks Over Traditional Books
2. Identifying Tamiya Hummer Manual
 - Exploring Different Genres
 - Considering Fiction vs. Non-Fiction
 - Determining Your Reading Goals
3. Choosing the Right eBook Platform
 - Popular eBook Platforms
 - Features to Look for in an Tamiya Hummer Manual
 - User-Friendly Interface
4. Exploring eBook Recommendations from Tamiya Hummer Manual

- Personalized Recommendations
 - Tamiya Hummer Manual User Reviews and Ratings
 - Tamiya Hummer Manual and Bestseller Lists
5. Accessing Tamiya Hummer Manual Free and Paid eBooks
 - Tamiya Hummer Manual Public Domain eBooks
 - Tamiya Hummer Manual eBook Subscription Services
 - Tamiya Hummer Manual Budget-Friendly Options
 6. Navigating Tamiya Hummer Manual eBook Formats
 - ePub, PDF, MOBI, and More
 - Tamiya Hummer Manual Compatibility with Devices
 - Tamiya Hummer Manual Enhanced eBook Features
 7. Enhancing Your Reading Experience
 - Adjustable Fonts and Text Sizes of Tamiya Hummer Manual
 - Highlighting and Note-Taking Tamiya Hummer Manual
 - Interactive Elements Tamiya Hummer Manual
 8. Staying Engaged with Tamiya Hummer Manual
 - Joining Online Reading Communities
 - Participating in Virtual Book Clubs
 - Following Authors and Publishers Tamiya Hummer Manual
 9. Balancing eBooks and Physical Books Tamiya Hummer Manual
 - Benefits of a Digital Library
 - Creating a Diverse Reading Collection Tamiya Hummer Manual
 10. Overcoming Reading Challenges
 - Dealing with Digital Eye Strain
 - Minimizing Distractions
 - Managing Screen Time
 11. Cultivating a Reading Routine Tamiya Hummer Manual
 - Setting Reading Goals Tamiya Hummer Manual
 - Carving Out Dedicated Reading Time
 12. Sourcing Reliable Information of Tamiya Hummer Manual

- Fact-Checking eBook Content of Tamiya Hummer Manual
 - Distinguishing Credible Sources
13. Promoting Lifelong Learning
- Utilizing eBooks for Skill Development
 - Exploring Educational eBooks
14. Embracing eBook Trends
- Integration of Multimedia Elements
 - Interactive and Gamified eBooks

Tamiya Hummer Manual Introduction

Free PDF Books and Manuals for Download: Unlocking Knowledge at Your Fingertips In today's fast-paced digital age, obtaining valuable knowledge has become easier than ever. Thanks to the internet, a vast array of books and manuals are now available for free download in PDF format. Whether you are a student, professional, or simply an avid reader, this treasure trove of downloadable resources offers a wealth of information, conveniently accessible anytime, anywhere. The advent of online libraries and platforms dedicated to sharing knowledge has revolutionized the way we consume information. No longer confined to physical libraries or bookstores, readers can now access an extensive collection of digital books and manuals with just a few clicks. These resources, available in PDF, Microsoft Word, and PowerPoint formats, cater to a wide range of interests, including literature, technology, science, history, and much more. One notable platform where you can explore and download free Tamiya Hummer Manual PDF books and manuals is the internet's largest free library. Hosted online, this catalog compiles a vast assortment of documents, making it a veritable goldmine of knowledge. With its easy-to-use website interface and customizable PDF generator, this platform offers a user-friendly experience, allowing individuals to effortlessly navigate and access the information they seek. The availability of free PDF books and manuals on this platform demonstrates its commitment to democratizing education and empowering individuals with the tools needed to succeed in their chosen fields. It allows anyone, regardless of their background or financial limitations, to expand their horizons and gain insights from experts in various disciplines. One of the most significant advantages of downloading PDF books and manuals lies in their portability. Unlike physical copies, digital books can be stored and carried on a single device, such as a tablet or smartphone, saving valuable space and weight. This convenience makes it possible for readers to have their entire library at their fingertips, whether they are commuting, traveling, or simply enjoying a lazy afternoon at home. Additionally, digital files are easily searchable, enabling readers to locate specific information within seconds. With a few keystrokes, users can search for keywords, topics, or phrases, making research and finding relevant information a breeze. This efficiency

saves time and effort, streamlining the learning process and allowing individuals to focus on extracting the information they need. Furthermore, the availability of free PDF books and manuals fosters a culture of continuous learning. By removing financial barriers, more people can access educational resources and pursue lifelong learning, contributing to personal growth and professional development. This democratization of knowledge promotes intellectual curiosity and empowers individuals to become lifelong learners, promoting progress and innovation in various fields. It is worth noting that while accessing free Tamiya Hummer Manual PDF books and manuals is convenient and cost-effective, it is vital to respect copyright laws and intellectual property rights. Platforms offering free downloads often operate within legal boundaries, ensuring that the materials they provide are either in the public domain or authorized for distribution. By adhering to copyright laws, users can enjoy the benefits of free access to knowledge while supporting the authors and publishers who make these resources available. In conclusion, the availability of Tamiya Hummer Manual free PDF books and manuals for download has revolutionized the way we access and consume knowledge. With just a few clicks, individuals can explore a vast collection of resources across different disciplines, all free of charge. This accessibility empowers individuals to become lifelong learners, contributing to personal growth, professional development, and the advancement of society as a whole. So why not unlock a world of knowledge today? Start exploring the vast sea of free PDF books and manuals waiting to be discovered right at your fingertips.

FAQs About Tamiya Hummer Manual Books

What is a Tamiya Hummer Manual PDF? A PDF (Portable Document Format) is a file format developed by Adobe that preserves the layout and formatting of a document, regardless of the software, hardware, or operating system used to view or print it. **How do I create a Tamiya Hummer Manual PDF?** There are several ways to create a PDF: Use software like Adobe Acrobat, Microsoft Word, or Google Docs, which often have built-in PDF creation tools. Print to PDF: Many applications and operating systems have a "Print to PDF" option that allows you to save a document as a PDF file instead of printing it on paper. Online converters: There are various online tools that can convert different file types to PDF. **How do I edit a Tamiya Hummer Manual PDF?** Editing a PDF can be done with software like Adobe Acrobat, which allows direct editing of text, images, and other elements within the PDF. Some free tools, like PDFescape or Smallpdf, also offer basic editing capabilities. **How do I convert a Tamiya Hummer Manual PDF to another file format?** There are multiple ways to convert a PDF to another format: Use online converters like Smallpdf, Zamzar, or Adobe Acrobat's export feature to convert PDFs to formats like Word, Excel, JPEG, etc. Software like Adobe Acrobat, Microsoft Word, or other PDF editors may have options to export or save PDFs in different formats. **How do I password-protect a Tamiya Hummer Manual PDF?**

Most PDF editing software allows you to add password protection. In Adobe Acrobat, for instance, you can go to "File" -> "Properties" -> "Security" to set a password to restrict access or editing capabilities. Are there any free alternatives to Adobe Acrobat for working with PDFs? Yes, there are many free alternatives for working with PDFs, such as: LibreOffice: Offers PDF editing features. PDFsam: Allows splitting, merging, and editing PDFs. Foxit Reader: Provides basic PDF viewing and editing capabilities. How do I compress a PDF file? You can use online tools like Smallpdf, ILovePDF, or desktop software like Adobe Acrobat to compress PDF files without significant quality loss. Compression reduces the file size, making it easier to share and download. Can I fill out forms in a PDF file? Yes, most PDF viewers/editors like Adobe Acrobat, Preview (on Mac), or various online tools allow you to fill out forms in PDF files by selecting text fields and entering information. Are there any restrictions when working with PDFs? Some PDFs might have restrictions set by their creator, such as password protection, editing restrictions, or print restrictions. Breaking these restrictions might require specific software or tools, which may or may not be legal depending on the circumstances and local laws.

Find Tamiya Hummer Manual :

volkswagen tiguan 2009 2010 parts manual

~~volkswagen jetta a5 manual~~

vm40 200 e0541

volkswagen transporter workshop manual

~~volkswagen golf iii owners manual~~

~~volkswagen jetta tdi owners manual~~

voices in democracy grade 6 textbook

vocabulary builder activity the constitution

~~volkswagen passat variant b7 manual~~

volkswagen golf engine diagram

volkswagen new beetle 03 full manual

volkswagen fox repair manual

~~vizio xru10universal remote guide~~

volkswagen golf 5 owner manual 2006

[volkswagen golf 6 manual](#)

Tamiya Hummer Manual :

jessica jones all new all different t03 full pdf old vulkk - Mar 09 2023

web jessica jones all new all different t03 downloaded from old vulkk com by guest samir kirk jessica jones the pulse 2 marvel collection marvel entertainment all she ever

jessica jones season 3 finale recap aka everything ew com - Dec 26 2021

web jun 17 2019 pretty much every major jessica jones character is forced to confront the enormity of their failures in this finale with a personalized one liner tell off each jeri

jessica jones all new all different t03 2022 - Sep 22 2021

jessica jones all new all different t03 by amazon ae - Aug 14 2023

web buy jessica jones all new all different t03 by online on amazon ae at best prices fast and free shipping free returns cash on delivery available on eligible purchase

jessica jones all new all different t03 wiki alltforforaldrar - Jan 27 2022

web jessica jones and luke cage a major development in the life of echo and the story of how the skrull empire was able to infiltrate the marvel universe and who instigated the

jessica jones all new all different t03 paperback - Oct 04 2022

web amazon co jp jessica jones all new all different t03 japanese books skip to main content co jp hello select your address japanese books amazon points

jessica jones all new all different t03 pdf dallas lin 14 - Nov 05 2022

web jessica jones all new all different t03 the pulse alias alias omnibus new printing avengers jessica jones scarred superhero jessica jones purple daughter the

jessica jones all new all different t03 projects techhut - Jan 07 2023

web all different t03 jessica jones uncaged jessica jones new avengers vol 8 ask for the ancient paths jessica jones scarred superhero bonfire jessica jones marvel s

jessica jones all new all different t03 pdf design bluesquare - Aug 02 2022

web jessica jones uncaged new avengers vol 8 bonfire jessica jones jessica jones all new all different t03 downloaded from design bluesquare org by guest malik bryan

jessica jones all new all different t03 by brian m bendis - Feb 25 2022

web jun 25 2023 jessica jones all new all different t03 by brian m bendis michael gaydos 6512 9 Éditeur panini date de publication 23 08 2017 collection pan marvel

[jessica jones tv series 2015 2019 imdb](#) - Oct 24 2021

web jessica jones all new all different t03 jessica jones blind spot mpgn jessica jones come home defenders vol 2 jessica jones jessica jones vol 1 working class

[jessica jones all new all different t03 paperback amazon com](#) - Feb 08 2023

web sep 12 2018 jessica jones all new all different t03 bendis brian m gaydos michael on amazon com free shipping on qualifying offers jessica jones all new

jessica jones tv series 2015 2019 episode list imdb - Nov 24 2021

web the sandwich saved me november 20 2015 despite jessica s objections trish s new friend simpson gets involved in the hunt for kilgrave jessica recalls a pivotal moment in

jessica jones all new all different t03 full pdf ftp popcake - Jul 01 2022

web jessica jones all new all different t03 alias volume 4 defenders vol 1 come home defenders vol 2 ms marvel vol 1 les secrets de maria hill pearl 2018 9 jessica

[jessica jones all new all different t03 full pdf](#) - Sep 03 2022

web jessica jones purple daughter the unpretentious guide to wedding photography jessica jones 2016 jessica jones all new all different t03 downloaded from

[jessica jones all new all different t03 paperback amazon com au](#) - Jul 13 2023

web jessica jones all new all different t03 bendis brian m gaydos michael amazon com au books

jessica jones all new all different t03 amazon de - May 11 2023

web jessica jones all new all different t03 brian m bendis amazon de books skip to main content de hello select your address all select the department you want to

jessica jones all new all different t03 2022 crm gte travel - Apr 29 2022

web jessica jones jessica jones vol 1 jessica jones all new all different t03 downloaded from crm gte travel by guest denisse mccann jessica jones

jessica jones all new all different t03 pdf uniport edu - May 31 2022

web mar 2 2023 jessica jones all new all different t03 2 6 downloaded from uniport edu ng on march 2 2023 by guest visual images language and discourse work as systems of

jessica jones tv series 2015 2019 episode list imdb - Mar 29 2022

web s3 e8 a k a camera friendly fri jun 14 2019 when sallinger posts a video teasing his next crime jessica responds with her own media play jeri demands that malcolm

amazon in buy jessica jones all new all different t03 book - Apr 10 2023

web amazon in buy jessica jones all new all different t03 book online at best prices in india on amazon in read jessica jones all new all different t03 book reviews author

jessica jones all new all different t03 download only - Dec 06 2022

web jessica jones all new all different t03 jessica jones scarred superhero pearl 2018 9 alias omnibus new printing jessica jones vol 2 bonfire ms marvel vol 1 the

jessica jones all new all different t03 paperback amazon co uk - Jun 12 2023

web buy jessica jones all new all different t03 by bendis brian m gaydos michael isbn 9782809473308 from amazon s book store everyday low prices and free delivery on

algoritma dan flow chart member of eepis download only - Jun 04 2022

web this algoritma dan flow chart member of eepis as one of the most lively sellers here will unconditionally be in the course of the best options to review algoritma dan flow

algoritma dan flow chart member of eepis - Sep 19 2023

web konsep dasar algoritma dan pemrograman dengan bahasa java sistem informasi akuntansi pada aplikasi administrasi bisnis pengantar algoritma dan implementasinya

flowchart programı ile temel algoritma Örnekleri - May 03 2022

web nov 3 2012 yukarıda verilen programların flowchart dosyalarını indirmek için tıklayın flowchart ile algoritmaornekleri flowcarthdosyaları v0 2 rar 837 indirme belgenin

algoritma dan flow chart member of eepis ieee staff copy - Mar 01 2022

web algoritma dan flow chart member of eepis can be taken as skillfully as picked to act from machine to machine to the internet of things vlasios tsiatsis 2014 this book

algoritma dan flow chart member of eepis pdf linode5 norgate - Nov 09 2022

web as this algoritma dan flow chart member of eepis it ends up monster one of the favored book algoritma dan flow chart member of eepis collections that we have

algoritma dan flow chart member of eepis pdf uniport edu - May 15 2023

web jun 28 2023 you have remained in right site to begin getting this info get the algoritma dan flow chart member of eepis link that we offer here and check out the link you

algoritma dan flow chart member of eepis pdf - Aug 18 2023

web algoritma dan flow chart member of eepis title algoritma dan flow chart member of eepis pdf dev awesomedoodle com subject algoritma dan flow chart

algoritma dan flow chart member of eepis 2023 - Nov 28 2021

web algoritma dan flow chart member of eepis reviewing algoritma dan flow chart member of eepis unlocking the spellbinding force of linguistics in a fast paced world

flowchart İş akışı algoritma Örnekleri İsmail gÜrsoy - Oct 08 2022

web mar 11 2020 flowchart İş akışı algoritma Örnekleri admin 11 mart 2020 yazılım yorum yapabilirsiniz 7 838 görüntülemeler Örnek klavyeden girilen iki sayının çarpımını

algoritma dan flow chart member of eepis pdf mail4 bec - Sep 07 2022

web algoritma dan flow chart member of eepis 1 algoritma dan flow chart member of eepis right here we have countless book algoritma dan flow chart member of

algoritma dan flow chart member of eepis - Mar 13 2023

web algoritma dan flow chart member of eepis chart trading jul 16 2021 this approach to chart trading puts you beside an experienced trader as he uses charts and chart

algoritma dan flow chart member of eepis pdf uniport edu - Dec 30 2021

web jun 27 2023 algoritma dan flow chart member of eepis 1 6 downloaded from uniport edu ng on june 27 2023 by guest algoritma dan flow chart member of

akış şeması flowchart nedir sherpa blog - Feb 12 2023

web jun 10 2016 algoritma verilerin bilgisayara hangi çevre biriminden girileceğinin problemin nasıl çözüleceğinin hangi basamaklardan geçirilerek sonuç alınacağını ve

algoritma dan flow chart member of eepis pdf uniport edu - Aug 06 2022

web mar 21 2023 algoritma dan flow chart member of eepis 1 8 downloaded from uniport edu ng on march 21 2023 by guest algoritma dan flow chart member of

flowchart Örnekleri flowchart nedir web tasarım - Dec 10 2022

web flowchart yani akış şeması bir işlemi sistemi veya bilgisayar algoritmasını gösteren bir diyagramdır genellikle karmaşık süreçleri net anlaşılması kolay diyagramlarla

algoritma dan flow chart member of eepis pdf uniport edu - Jan 31 2022

web jul 19 2023 you could purchase lead algoritma dan flow chart member of eepis or acquire it as soon as feasible you could quickly download this algoritma dan flow

algoritma dan flow chart member of eepis 2023 - Apr 14 2023

web algoritma dan flow chart member of eepis the best damn answers to life s hardest questions jul 16 2020 a hilarious and utterly relatable collection of flowcharts rants

algoritma dan flow chart member of eepis uniport edu - Oct 28 2021

web aug 15 2023 guides you could enjoy now is algoritma dan flow chart member of eepis below opengl mason woo 2001 opengl is the world s leading cross platform

[algoritma dan flow chart member of eepis ieee staff pdf](#) - Jun 16 2023

web kindly say the algoritma dan flow chart member of eepis is universally compatible with any devices to read beginning php and mysql 5 w jason gilmore 2006 11 25 this

algoritma dan flow chart member of eepis pdf - Jan 11 2023

web we allow algoritma dan flow chart member of eepis and numerous book collections from fictions to scientific research in any way along with them is this algoritma dan

[algoritma dan flow chart member of eepis pdf haysomattorneys](#) - Jul 17 2023

web algoritma dan flow chart member of eepis 1 algoritma dan flow chart member of eepis dasar dasar pemrograman an introduction to computing problem solving

flowchart Örnekleri videolu anlatım programlama temelleri - Apr 02 2022

web aug 11 2014 flowchart Örnekleri videolu anlatım flowchart visual programming uygulaması ile algoritma ve akış diyagramlarını öğrenmenizde programlamanın temelini

algoritma dan flow chart member of eepis pdf uniport edu - Jul 05 2022

web jul 13 2023 algoritma dan flow chart member of eepis is available in our book collection an online access to it is set as public so you can download it instantly our book servers

color blind test - Mar 10 2023

web are you color blind the ishihara test is a color perception test for red green color deficiencies it was named after its designer shinobu ishihara a professor at the university of tokyo who first published his tests in 1917 the test consists of 38 colored plates each of which contains a circle of dots appearing randomized in color and size

color blind test eyeque the leader in smartphone vision tests - Mar 30 2022

web if you think you have color blindness you can take this quick color blind test to learn more about your color vision at the end of the test you will be asked for your email address to view your results take test take 10 off color blind glasses starting at 229 use code eyeque shop

colorblind cambridge İngilizce sözlüğü ndeki anlamı - Oct 05 2022

web colorblind anlam tanım colorblind nedir 1 us spelling of colour blind 2 unable to see the difference between particular colors daha fazlasını öğren

types of color vision deficiency national eye institute - Aug 03 2022

web aug 7 2023 there are 4 types of red green color vision deficiency deuteranomaly is the most common type of red green

color vision deficiency it makes certain shades of green look more red this type is mild and doesn't usually get in the way of normal activities protanomaly makes certain shades of red look more green and less bright

color blind test - May 12 2023

web color blind test check if you have a color vision deficiency by taking our free online test learn more about color blindness their treatments and which type of do you have

types of color blindness all about vision - Jan 08 2023

web feb 24 2021 the types of red green color blindness fall into four different categories protanopia aka red blind individuals have no red cones protanomaly aka red weak individuals have red cones and can usually see some shades of red

color blindness symptoms and causes mayo clinic - Jun 13 2023

web dec 28 2019 color blindness has several causes inherited disorder inherited color deficiencies are much more common in males than in females the most common color deficiency is red green with blue yellow deficiency being much less common it is rare to have no color vision at all you can inherit a mild moderate or severe degree of the

color blindness national eye institute - Feb 09 2023

web aug 11 2023 if you have color blindness color vision deficiency it means you see colors differently than most people most of the time color vision deficiency makes it hard to tell the difference between certain colors usually color vision deficiency runs in families there's no cure but special glasses and contact lenses can help people see

windows 10 da colorblind modu nasıl etkinleştirilir veya devre dışı - Nov 06 2022

web mar 4 2019 colorblind mode windows 10 da nasıl kullanılır renk körü modu nu kapatmak kapatmak için klavye kısayolunu kullanma renk körü modunu kapatmak kapatmak için ayarları kullanın renk körü modu nu kapatmak kapatmak için reg dosyasını kullan her birine ayrıntılı olarak bir göz atalım

test your color vision color blind test 2023 updated - Dec 07 2022

web a reverse color blind test is a version of the ishihara color test that is typically easily solved by someone who is color blind someone with normal vision would have difficulty seeing the number in the center of the image if you fail a reverse color blind test you most likely have normal full color vision

ed sheeran colourblind official video youtube - Feb 26 2022

web may 5 2023 subtract visual album premiere may 5th 4pm bst es lnk to subtractvisualpremieresubtract the new album out now es lnk to subtractsubscri

color blindness wikipedia - Jul 14 2023

web red green color blindness is the most common form followed by blue yellow color blindness and total color blindness 2 red green color blindness affects up to 1 in 12 males 8 and 1 in 200 females 0.5 2.4 the ability to

1 online color blind test test for color vision deficiency - Apr 11 2023

web the enchroma color blind test is a proprietary color blind test designed to determine a person s type and level of color blindness created by enchroma an independent company based in california the enchroma color blind test is the 1 online color blind test for color vision deficiency taken by more than one million people worldwide

colorblindsim a color blindness simulator web app - Jan 28 2022

web colorblindsim color blindness affects approximately 1 in 22 people globally experience the world as they do right from your browser get started colorblindsim will ask for your permission to use your camera code on github

3 types of color blindness symptoms tests treatments - Jul 02 2022

web sep 13 2023 red green color blindness is the most common type this condition is genetic but can also develop due to eye disease it occurs when a person has an impairment in a red cone or green cone pigment perception people who are red green color blind tend to confuse purple blue green orange and red

what is color blindness american academy of ophthalmology - Jun 01 2022

web sep 26 2022 sep 26 2022 color blindness occurs when you are unable to see colors in a normal way it is also known as color deficiency color blindness often happens when someone cannot distinguish between certain colors this usually happens between greens and reds and occasionally blues in the retina there are two types of cells that detect light

ed sheeran colourblind official lyric video youtube - Dec 27 2021

web may 4 2023 new album subtract out now es lnk to subtractidsubscribe to ed s channel bit ly
subscribetoedsheeranfollow ed on instagram insta

racial color blindness wikipedia - Apr 30 2022

web racial color blindness refers to the belief that a person s race or ethnicity should not influence their legal or social treatment in society the multicultural psychology field generates four beliefs that constitute the racial color blindness approach the four beliefs are as follows 1 skin color is superficial and irrelevant to the quality

enchroma free color blind test test your color vision - Aug 15 2023

web take the free enchroma color blind test to accurately assess your color perception the results provide a recommendation for enchroma color blind glasses

colorblind english meaning cambridge dictionary - Sep 04 2022

web colorblind definition 1 us spelling of colour blind 2 unable to see the difference between particular colors learn more