

6

④ スナップピンの折り曲げ Modifying snap pins



★スナップピンは折り曲げておくことで取り外ししやすくなります。
★To make attaching / detaching easier, bend snap pins as shown.

不要部品..... H3, H4, H5,
Not used..... H6, H9, H10
Non-utlizes.....

PARTS

ボディ..... K1
Body.....
H3 Parts..... K1
H4 Parts..... K1
J Parts..... K1
J Parts..... K1
ステッカー (a, b, c)..... K1
Sticker.....

マスキングシート..... K1
Masking seal.....
LED ストッパー..... K1
LED stopper.....

⑤ 金具袋 METAL PARTS BAG

スナップピン..... K3
Snap pin.....
タッピングビス (3x6mm)..... K4
Tapping screw.....
タッピングビス (2x6mm)..... K4
Tapping screw.....
両面テープ..... K1
Double-sided tape.....

部品請求について

★部品をなくしたり、こぼした方は、カスタマーサービス販売店でご注文いただけます。また、当社カスタマーサービスに直接ご注文する場合は、下記の方法で注文することができます。

- ① 郵便振替のご利用法
郵便局の振込用紙の送付先に以下のリストを添付してFIM番号、ステッカー、製品名、部品名、部品コード、数量を必ず記入してください。振込入住所欄には電話番号もお書きください。口座番号: 00810-9-1118、加入者名: (株)タミヤでお振込ください。
- ② 代金引換のご利用法
パート代金に加えて代引き手数料 (315円) をご負担いただければ、電話またはホームページより代金引換によるご注文をお受けいたします。

お問い合わせ番号
無料 054-283-0003
東京 03-3899-3765

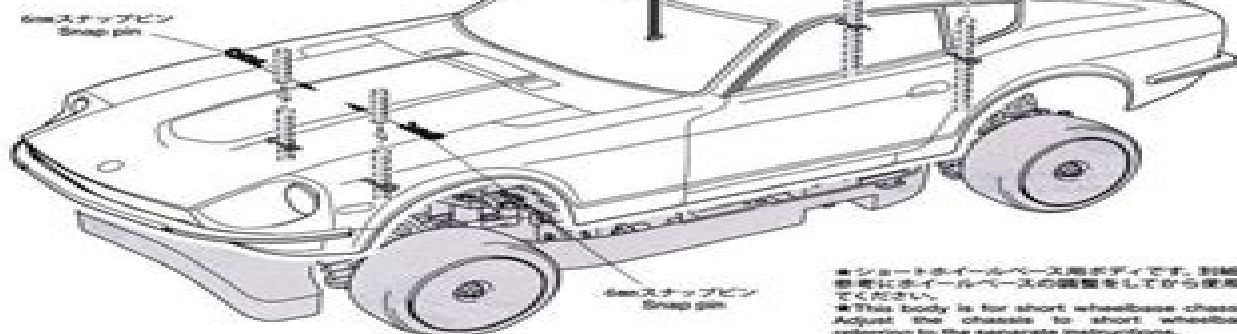
営業時間: 平日 (月)~金曜日 9:00~20:00
土、日、祭日 9:00~17:00

TAMIYA

6

⑥ ボディの取り付け Attaching body

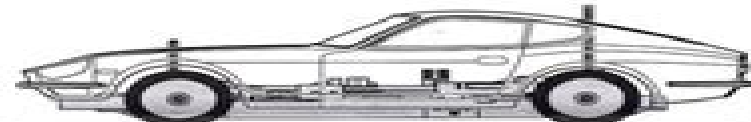
★ボディから凸出たボディマウントは、好みに応じて取り付けます。



⑥ ボディの取り付け位置 Body attachment position

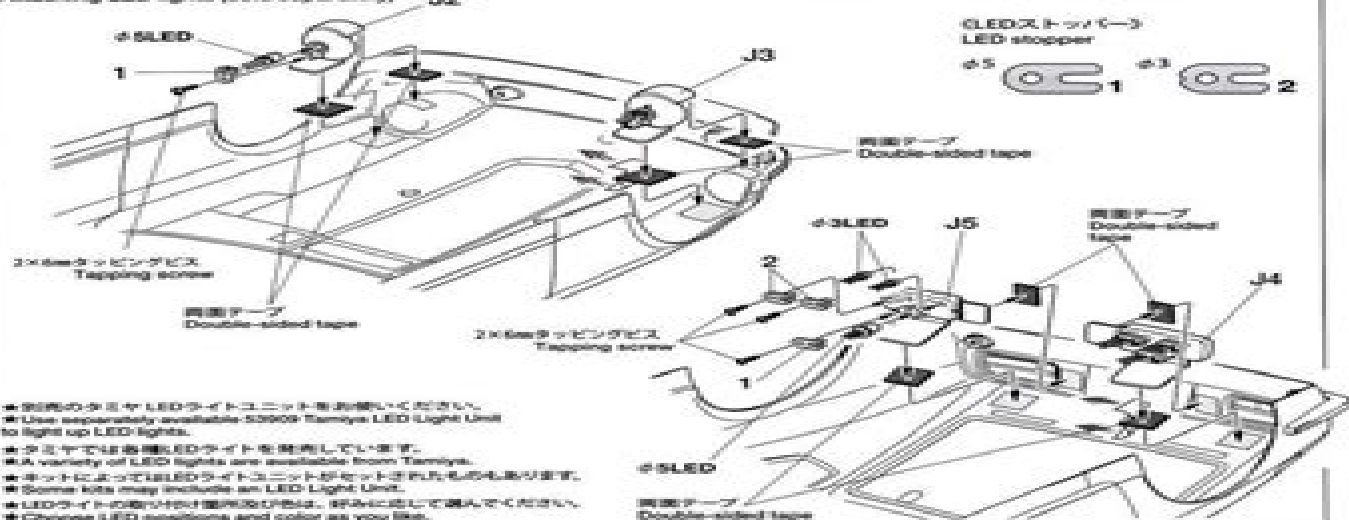
★スナップピンの位置は、ボディがタイヤや路面に接触しない高さに取り付けてください。
★Attach the snap pins ensuring the body does not come in contact with the tires and track surface.

H11 取り付け向きに注意。
★Note direction.



★ショートホイールベース用のボディです。別紙を参照してホイールベースの調整をしてから使用してください。
★This body is for short wheelbase chassis. Adjust the chassis to short wheelbase referring to the separate instructions.

⑦ LEDライト (別売) の取り付け Attaching LED lights (sold separately)



- ★別売のタミヤ LEDライトユニットをお使いください。
★Use separately available 52009 Tamiya LED Light Unit to light up LED lights.
- ★タミヤでは各種LEDライトを発売しています。
★A variety of LED lights are available from Tamiya.
- ★ネットによってはLEDライトユニットがセットされたものもあります。
★Some kits may include an LED Light Unit.
- ★LEDライトの取り付け位置や色は、好みに応じて選んでください。
★Choose LED positions and color as you like.

フェアレディ 240Z

★価格は2016年10月現在のものです。予告なく変更となる場合があります。

部品名	販売価格	定価	部品コード
ボディ	2,677円	3,000円	11825519
H3パーツ	1,344円	1,500円	19005972
Jパーツ	651円	700円	19115277
LEDユニット (2個)	348円	400円	19005909
LED金具袋	525円	500円	19401582
ステッカー (a, b, c) マスキングシート	1,574円	1,500円	19495643
ボディ	3,129円	3,000円	11825519

AFTER MARKET SERVICE CARD

When purchasing replacement parts, please take or send this form to your local Tamaya dealer so that the parts required can be correctly identified. Please note that specifications, availability and price are subject to change without notice.

Parts code	部品名
11825519	ボディ
19005972	H3 Parts
19115277	J Parts
19005909	LED Stopper (x2)
19401582	Metal Parts Bag (for Body)
19495643	Sticker (a, b, c) & Masking Seal
11825519	Body Set (instructions)

Datsun 240Z (11001834)

Tamiya Datsun 240z Manual

Nissan Jidōsha Kabushiki Kaisha

Tamiya Datsun 240z Manual:

Popular Mechanics ,1978-04 Popular Mechanics inspires instructs and influences readers to help them master the modern world Whether it s practical DIY home improvement tips gadgets and digital technology information on the newest cars or the latest breakthroughs in science PM is the ultimate guide to our high tech lifestyle Road and Track ,1982

Datsun 240z; Shop Manual Henley Press, Inc. Automotive Research, Henley Press. Automotive Research Division, 1971

Datsun 240Z Sports Service Manual, Model S30 Series, Chassis & Body Nissan Jidōsha Kabushiki Kaisha, 1971

Datsun 240Z, 260Z, 280Z 70-77 Shop Manual ,1978 *Datsun 240Z Model S30 Series* Nissan Jidōsha Kabushiki Kaisha, 1973 *Datsun 240Z; Service Manual* Nissan Jidōsha Kabushiki Kaisha, 1969 Service Manual, Datsun 240Z

Sports Model, S30 Series Chassis and Body ,1990 *Datsun 240, 260, & 280Z 1970 Thru 1977, Coupe & 2+2, 146, 157 & 168 Cu in (2393, 2565 & 2754 Cc)* John Harold Haynes, P. G. Strasman, 1974 Datsun 240Z Service Manual, Model S30

Series, [1973]. Nissan Jidōsha Kabushiki Kaisha, 1972 **Datsun 240Z: Shop Manual Tune-up and Maintenance Guide** Henley Press Automotive Research Division, 1971 **Haynes Datsun 240Z, 260Z, and 280Z Manual, 1970-1978** John

Haynes, 1987-07-30 Haynes disassembles every subject vehicle and documents every step with thorough instructions and clear photos Haynes repair manuals are used by the pros but written for the do it yourselfer Datsun 240Z Sports Model

S30 Series Nissan Jidōsha Kabushiki Kaisha, 1970 **Service Manual, Datsun 240Z Sports** Nissan Jidōsha Kabushiki Kaisha, 1972 Datsun 240Z 1970-73 Owners Workshop Manual Ken Ball, Datsun 240Z 1970-72 Autobook Kenneth

Ball, 1972 Service Manual ,1970 *Service Manual for Datsun 240Z Sports, Model 3N7 1A* Nissan Jidōsha Kabushiki Kaisha, 1970 *Datsun 240Z, 260Z, 280Z, Shop Manual, 1970-78* Motorbooks International, 1987 **Service Manual**

Datsun 240Z Sports Nissan Jidōsha Kabushiki Kaisha, 19??

This is likewise one of the factors by obtaining the soft documents of this **Tamiya Datsun 240z Manual** by online. You might not require more period to spend to go to the book opening as without difficulty as search for them. In some cases, you likewise complete not discover the publication Tamiya Datsun 240z Manual that you are looking for. It will agreed squander the time.

However below, bearing in mind you visit this web page, it will be correspondingly totally easy to get as competently as download guide Tamiya Datsun 240z Manual

It will not admit many grow old as we tell before. You can realize it while con something else at home and even in your workplace. suitably easy! So, are you question? Just exercise just what we have the funds for below as skillfully as review **Tamiya Datsun 240z Manual** what you as soon as to read!

https://movement.livewellcolorado.org/About/scholarship/Documents/2004_Bmw_X3_Problems.pdf

Table of Contents Tamiya Datsun 240z Manual

1. Understanding the eBook Tamiya Datsun 240z Manual
 - The Rise of Digital Reading Tamiya Datsun 240z Manual
 - Advantages of eBooks Over Traditional Books
2. Identifying Tamiya Datsun 240z Manual
 - Exploring Different Genres
 - Considering Fiction vs. Non-Fiction
 - Determining Your Reading Goals
3. Choosing the Right eBook Platform
 - Popular eBook Platforms
 - Features to Look for in an Tamiya Datsun 240z Manual
 - User-Friendly Interface
4. Exploring eBook Recommendations from Tamiya Datsun 240z Manual

- Personalized Recommendations
 - Tamiya Datsun 240z Manual User Reviews and Ratings
 - Tamiya Datsun 240z Manual and Bestseller Lists
5. Accessing Tamiya Datsun 240z Manual Free and Paid eBooks
 - Tamiya Datsun 240z Manual Public Domain eBooks
 - Tamiya Datsun 240z Manual eBook Subscription Services
 - Tamiya Datsun 240z Manual Budget-Friendly Options
 6. Navigating Tamiya Datsun 240z Manual eBook Formats
 - ePub, PDF, MOBI, and More
 - Tamiya Datsun 240z Manual Compatibility with Devices
 - Tamiya Datsun 240z Manual Enhanced eBook Features
 7. Enhancing Your Reading Experience
 - Adjustable Fonts and Text Sizes of Tamiya Datsun 240z Manual
 - Highlighting and Note-Taking Tamiya Datsun 240z Manual
 - Interactive Elements Tamiya Datsun 240z Manual
 8. Staying Engaged with Tamiya Datsun 240z Manual
 - Joining Online Reading Communities
 - Participating in Virtual Book Clubs
 - Following Authors and Publishers Tamiya Datsun 240z Manual
 9. Balancing eBooks and Physical Books Tamiya Datsun 240z Manual
 - Benefits of a Digital Library
 - Creating a Diverse Reading Collection Tamiya Datsun 240z Manual
 10. Overcoming Reading Challenges
 - Dealing with Digital Eye Strain
 - Minimizing Distractions
 - Managing Screen Time
 11. Cultivating a Reading Routine Tamiya Datsun 240z Manual
 - Setting Reading Goals Tamiya Datsun 240z Manual
 - Carving Out Dedicated Reading Time
 12. Sourcing Reliable Information of Tamiya Datsun 240z Manual

- Fact-Checking eBook Content of Tamiya Datsun 240z Manual
 - Distinguishing Credible Sources
13. Promoting Lifelong Learning
- Utilizing eBooks for Skill Development
 - Exploring Educational eBooks
14. Embracing eBook Trends
- Integration of Multimedia Elements
 - Interactive and Gamified eBooks

Tamiya Datsun 240z Manual Introduction

In today's digital age, the availability of Tamiya Datsun 240z Manual books and manuals for download has revolutionized the way we access information. Gone are the days of physically flipping through pages and carrying heavy textbooks or manuals. With just a few clicks, we can now access a wealth of knowledge from the comfort of our own homes or on the go. This article will explore the advantages of Tamiya Datsun 240z Manual books and manuals for download, along with some popular platforms that offer these resources. One of the significant advantages of Tamiya Datsun 240z Manual books and manuals for download is the cost-saving aspect. Traditional books and manuals can be costly, especially if you need to purchase several of them for educational or professional purposes. By accessing Tamiya Datsun 240z Manual versions, you eliminate the need to spend money on physical copies. This not only saves you money but also reduces the environmental impact associated with book production and transportation. Furthermore, Tamiya Datsun 240z Manual books and manuals for download are incredibly convenient. With just a computer or smartphone and an internet connection, you can access a vast library of resources on any subject imaginable. Whether you're a student looking for textbooks, a professional seeking industry-specific manuals, or someone interested in self-improvement, these digital resources provide an efficient and accessible means of acquiring knowledge. Moreover, PDF books and manuals offer a range of benefits compared to other digital formats. PDF files are designed to retain their formatting regardless of the device used to open them. This ensures that the content appears exactly as intended by the author, with no loss of formatting or missing graphics. Additionally, PDF files can be easily annotated, bookmarked, and searched for specific terms, making them highly practical for studying or referencing. When it comes to accessing Tamiya Datsun 240z Manual books and manuals, several platforms offer an extensive collection of resources. One such platform is Project Gutenberg, a nonprofit organization that provides over 60,000 free eBooks. These books are primarily in the public domain, meaning they can be freely distributed and downloaded. Project Gutenberg offers a wide range of classic literature, making it an excellent resource for literature enthusiasts. Another popular platform for

Tamiya Datsun 240z Manual books and manuals is Open Library. Open Library is an initiative of the Internet Archive, a non-profit organization dedicated to digitizing cultural artifacts and making them accessible to the public. Open Library hosts millions of books, including both public domain works and contemporary titles. It also allows users to borrow digital copies of certain books for a limited period, similar to a library lending system. Additionally, many universities and educational institutions have their own digital libraries that provide free access to PDF books and manuals. These libraries often offer academic texts, research papers, and technical manuals, making them invaluable resources for students and researchers. Some notable examples include MIT OpenCourseWare, which offers free access to course materials from the Massachusetts Institute of Technology, and the Digital Public Library of America, which provides a vast collection of digitized books and historical documents. In conclusion, Tamiya Datsun 240z Manual books and manuals for download have transformed the way we access information. They provide a cost-effective and convenient means of acquiring knowledge, offering the ability to access a vast library of resources at our fingertips. With platforms like Project Gutenberg, Open Library, and various digital libraries offered by educational institutions, we have access to an ever-expanding collection of books and manuals. Whether for educational, professional, or personal purposes, these digital resources serve as valuable tools for continuous learning and self-improvement. So why not take advantage of the vast world of Tamiya Datsun 240z Manual books and manuals for download and embark on your journey of knowledge?

FAQs About Tamiya Datsun 240z Manual Books

How do I know which eBook platform is the best for me? Finding the best eBook platform depends on your reading preferences and device compatibility. Research different platforms, read user reviews, and explore their features before making a choice. Are free eBooks of good quality? Yes, many reputable platforms offer high-quality free eBooks, including classics and public domain works. However, make sure to verify the source to ensure the eBook credibility. Can I read eBooks without an eReader? Absolutely! Most eBook platforms offer webbased readers or mobile apps that allow you to read eBooks on your computer, tablet, or smartphone. How do I avoid digital eye strain while reading eBooks? To prevent digital eye strain, take regular breaks, adjust the font size and background color, and ensure proper lighting while reading eBooks. What the advantage of interactive eBooks? Interactive eBooks incorporate multimedia elements, quizzes, and activities, enhancing the reader engagement and providing a more immersive learning experience. Tamiya Datsun 240z Manual is one of the best book in our library for free trial. We provide copy of Tamiya Datsun 240z Manual in digital format, so the resources that you find are reliable. There are also many Ebooks of related with Tamiya Datsun 240z Manual. Where to download Tamiya Datsun 240z Manual online for free? Are you looking for Tamiya Datsun 240z Manual PDF? This is

definitely going to save you time and cash in something you should think about. If you trying to find then search around for online. Without a doubt there are numerous these available and many of them have the freedom. However without doubt you receive whatever you purchase. An alternate way to get ideas is always to check another Tamiya Datsun 240z Manual. This method for see exactly what may be included and adopt these ideas to your book. This site will almost certainly help you save time and effort, money and stress. If you are looking for free books then you really should consider finding to assist you try this. Several of Tamiya Datsun 240z Manual are for sale to free while some are payable. If you arent sure if the books you would like to download works with for usage along with your computer, it is possible to download free trials. The free guides make it easy for someone to free access online library for download books to your device. You can get free download on free trial for lots of books categories. Our library is the biggest of these that have literally hundreds of thousands of different products categories represented. You will also see that there are specific sites catered to different product types or categories, brands or niches related with Tamiya Datsun 240z Manual. So depending on what exactly you are searching, you will be able to choose e books to suit your own need. Need to access completely for Campbell Biology Seventh Edition book? Access Ebook without any digging. And by having access to our ebook online or by storing it on your computer, you have convenient answers with Tamiya Datsun 240z Manual To get started finding Tamiya Datsun 240z Manual, you are right to find our website which has a comprehensive collection of books online. Our library is the biggest of these that have literally hundreds of thousands of different products represented. You will also see that there are specific sites catered to different categories or niches related with Tamiya Datsun 240z Manual So depending on what exactly you are searching, you will be able tochoose ebook to suit your own need. Thank you for reading Tamiya Datsun 240z Manual. Maybe you have knowledge that, people have search numerous times for their favorite readings like this Tamiya Datsun 240z Manual, but end up in harmful downloads. Rather than reading a good book with a cup of coffee in the afternoon, instead they juggled with some harmful bugs inside their laptop. Tamiya Datsun 240z Manual is available in our book collection an online access to it is set as public so you can download it instantly. Our digital library spans in multiple locations, allowing you to get the most less latency time to download any of our books like this one. Merely said, Tamiya Datsun 240z Manual is universally compatible with any devices to read.

Find Tamiya Datsun 240z Manual :

2004 bmw x3 problems

2nd semester algebra 2 study guide answers

mitsubishi l200 service manual 2003

2003 acura tl connectors manual

04 hyundai tiburon repair manual

volvo penta sp workshop manual mechanical book

workshop manual for seat leon torrent

distributive property study guide

1 1 5 practice media literacy apex

volvo penta stern drive full service repair manual 1968 1991

osha safety meeting template

ags world history unit 4 review

multiple choice rate of change questions

natuurwetenskappe graad hand en werkboek

the bank of knowledge

Tamiya Datsun 240z Manual :

fallbeispiel multiple sklerose 61 gestörte erregungsleitung der - Jan 07 2023

web jul 1 2018 request pdf neurologische fachpflege von menschen mit multipler sklerose die entzündlich degenerative hirnerkrankung multiple sklerose ist eine

palliative aspekte bei multipler sklerose springerlink - Nov 24 2021

neurologische fachpflege von menschen mit multipler - Jun 12 2023

web pflege für menschen mit multipler sklerose das alfons hoffmann haus bietet menschen mit multipler sklerose ms ein betreutes zuhause in einem eigenen

multiple sklerose ms verlauf therapie - Dec 06 2022

web sollten sie oder eine person in ihrem umfeld eine diagnostizierte ms haben prüfen sie am besten frühzeitig ob möglicherweise anspruch auf einen pflegegrad besteht nutzen sie

situation pflegender angehöriger von multiple sklerose - Mar 29 2022

web jan 5 2022 antispastika unterschiedlicher Ätiologie bis hin zu tetrahydrocannabinol sind handelsübliche präparate auch bei einem sehr häufigen symptom bei multipler

pflege von menschen mit multipler sklerose hogrefe verlag - Apr 10 2023

web dmsg ausgezeichnete pflege bei multipler sklerose pflegedienste und einrichtungen von denen mindestens zwei mitarbeiter innen erfolgreich an der dmsg fachfortbildung

[dmsg pflege bei ms dmsg - Mar 09 2023](#)

web die axone der nervenzellen bleiben i d r intakt die neu rologischen ausfälle sind die folge der durch den verlust der markscheiden verlangsamten oder sogar ganz

pflege bei multiple sklerose ms therapie verlauf tipps - Jul 13 2023

web jul 7 2018 zusammenfassung die entzündlich degenerative hirnerkrankung multiple sklerose ist eine facettenreiche erkrankung deren verlauf wenig vorhersehbar ist dies

pflege bei ms tipps für den umgang mit ms patienten - Aug 14 2023

web die pflege von ms patienten in diesen situationen benötigen ms erkrankte pflege die zur ms therapie eingesetzten medikamente wie sie menschen mit ms unterstützen können wann ms patienten als pflegebedürftig eingestuft werden wissen in der box

ms therapie behandlungsformen bei multipler sklerose - Feb 25 2022

web im pflegerischen alltag wird man auch immer wieder menschen mit multipler sklerose begegnen häufig fühlen sich multiple sklerose patientinnen nicht ernst genommen

[multiple sklerose pflege zu hause gip](#) - Apr 29 2022

web dec 20 2012 um die bedürfnisse der an multiple sklerose erkrankten personen betroffene und ihren angehörigen zu untersuchen wurde eine querschnittstudie mit

multiple sklerose symptome diagnose behandlung pflegebox - Jul 01 2022

web die heilungschancen bei ms wissen in der box ms therapie die ms therapie im Überblick die therapie der multiplen sklerose beinhaltet die schubtherapie die

[multiple sklerose ms symptome ursachen diagnose](#) - Aug 02 2022

web hintergrund und problemstellung mehr als 80 der pflegebedürftigen personen in Österreich werden durch angehörige im häuslichen setting versorgt und gepflegt 1

[pqsg de das altenpflegemagazin im internet online](#) - Nov 05 2022

web bei der pflege von ms betroffenen ist es also besonders wichtig unterschiedliche therapieansätze zu verfolgen und auf mehreren ebene mit den patient innen zu

multiple sklerose versorgung 2030 herausforderungen und - Jan 27 2022

[multiple sklerose ursachen betreuung und behandlung 24h](#) - Oct 04 2022

web mar 25 2019 das pflegebasiskonzept bei patienten mit multipler sklerose soll die lebensqualität erhöhen angehörige wirksam entlasten und vorhandene fähigkeiten der

pflege von multiple sklerose kranken hauskrankenpflege nordlicht - May 31 2022

web pflegende angehörige von ms erkrankten unterstützen und entlasten um eine optimale betreuung von ms erkrankten im familiären umfeld zu ermöglichen

pflege bei multipler sklerose sunacare - Feb 08 2023

web empfehlungen zum umgang mit multipler sklerose in bezug auf die pflege daheim personen die an ms erkrankt sind benötigen je nach pflegegrad unterstützende hilfe

bedürfnisse von menschen die an multipler sklerose leiden - Dec 26 2021

pflege bei multipler sklerose besondere - May 11 2023

web pflege von menschen mit multipler sklerose herausgegeben von june halper jörg kraus nancy joyce holland buch ebook blick ins buch halper und holland bieten das

neurologische fachpflege von menschen mit multipler sklerose - Sep 03 2022

web die aktivierende pflege mit hilfstellung bei ms orientiert sich am aktuellen gesundheitszustand des patienten und nutzt dessen ressourcen und möglichkeiten

perspektive von menschen mit chronischer erkrankung am - Oct 24 2021

joining letter format download samples in word pdf - Jul 15 2023

web joining letter for bank employee here is a format sample for a joining letter for a bank employee date 27 03 2021 to jaci acharya general manager human resource department ask bank subject joining letter for branch manager dear madam i am writing to formally and humbly accept your job offer for bank manager in ask bank

guide how to write a joining letter indeed com india - Jun 02 2022

web feb 26 2023 a joining letter is a letter that you send to your employer upon receiving an employment letter from their side inviting you to start working for their company the purpose of writing a joining letter is to express your desire and willingness to accept a job

new employee announcement updated for 2023 indeed - Dec 08 2022

web new employee announcement email template subject line help us welcome new employee name to the team hi everyone please join me in welcoming new employee name to the team department company employee name will be joining us on start date as a role title on the team or department reporting to direct

32 joining letter samples format pdf doc template net - Mar 11 2023

web as an employer have your company hr department confirm a new employee s successful application process with joining

letter templates in doc pdf or other formats outline the applicant s job position work duty and other details to ensure they re ready when they report in

employee job joining letter formats in word 20 appointment letter - Mar 31 2022

web a joining letter is submitted by the employee in response to his her acceptance of the job offer where a job offer note has sends to the selected candidates after the interview as an employer have your company hr department confirm a new employee s successfully application process with joining letter templates in sawbones pdf or other

joining letter from new employee letters in english - Jul 03 2022

web october 29 2022 to the hr manager name address date date subject joining letter dear sir madam my name is name and i am writing this letter in reference to the offer letter that i received from your side on date bearing letter number mention

employment joining letter format for employee hr letter formats - Sep 05 2022

web jan 1 2014 click here to download joining letter format in word other related hr letter formats culmination letter format of new hiring email to hr asking for joining date email format for new employee joining announcement to related departments announcement letter of new employee joining new joining forms formats

how to write a joining letter to an organization in 13 steps - Jan 09 2023

web jan 19 2022 updated june 24 2022 after receiving an offer letter from an employer it s customary to send a return document called a joining letter this document serves as a formal record of your job acceptance verifying your

how to write a joining letter a guide for hr in 2023 - Jan 29 2022

web mar 6 2023 the conclusion of a joining letter from an employee typically expresses gratitude for the opportunity to join the organisation and enthusiasm for the new role employees may also be willing to contribute to the organisation s success and work collaboratively with their colleagues

new employee welcome letter and email betterteam - Feb 10 2023

web use this new employee welcome email template in ms word format to get your new hires excited and ready for their first day at your company download now new employee welcome email template

joining letter format the 2 best sample datatrained - Nov 07 2022

web mar 6 2023 this joining letter follows the same format as the ones written by new employees and contains essential information such as the employee s name address contact details and dates of absence in this article we will give a comprehensive guide on how to correctly write a joining letter upon returning from leave

new joining forms formats hr letter formats your hr world - May 01 2022

web dec 30 2011 new joining forms formats hr letter formats new joining forms formats i have attached new joining forms formats recent photo karamtara group of companies corporate office name father s name

[joining letter how to write a joining letter format and samples](#) - Aug 04 2022

web jun 6 2020 first impression etiquette moral values joining letters are signed with the letterhead addressed to the manager and agreed by the administration or the hr administrator authorized to hire the candidate in case the candidate gets the work location he she must mark a copy of the despatch and post it to the firm the format must comprise

[joining letter sign templates jotform](#) - Oct 06 2022

web a joining letter is an official document used by new company hires to announce their joining of a company after the hiring process has been finalized and an offer has been made use this joining letter from jotform sign to customize your own letter to send to potential employees

[employee job joining letter formats in word hr cabin](#) - Aug 16 2023

web what is a joining letter a joining letter is a formal letter that confirms your acceptance of a job offer and consists of your joining date details a good joining letter reflects the interest and excitement of the candidate to join the job

24 joining letter format pdf doc template net - May 13 2023

web grab a joining letter format template for google docs ms word or other application learn to write a joining letter or joining report by incorporating a free download sample in doc pdf and more whether you re a company owner government employer new employee or hotel manager we feature example letters for your

the only joining letter format you ll ever need to know - Feb 27 2022

web nov 28 2021 before you begin writing in the perfect joining letter format you should take a detailed look at the offer letter after that follow the following steps thoroughly review the job offer and understand your employment s precise terms and conditions

letter for announcement of new employee joining hr letter formats - Dec 28 2021

web aug 28 2015 sample letter for announcement of new employee joining date 26 08 15 dear staff this is to inform you all that robin smith is joining abc corporation pvt ltd to fill our vacant position in marketing departments as assistant marketing manager his first day will be on tuesday august 1 st 2015 robin possesses a rich

how to write a joining letter leverage edu - Apr 12 2023

web apr 4 2023 joining letter for a new employee here is a format sample for a joining letter for a new employee after receiving an appointment letter we are sure you d be searching for samples to understand the techniques of how to write a joining letter

new employee new hire welcome letter hr sample template - Jun 14 2023

web use this new hire welcome letter template to start an effective onboarding process dear employee s name welcome on board we re delighted that you are joining us we were impressed with your background and skills and we can t wait to see

you in action

[lecture t2 turing machines princeton university pdf uniport edu](#) - Feb 24 2022

web jul 12 2023 lecture t2 turing machines princeton university 2 14 downloaded from uniport edu ng on july 12 2023 by guest powerful modern versions of the thesis and he discusses recent speculative proposals for new computing paradigms such as hypercomputing this is a gentle introduction from the origins of computability theory up

part ii algorithms machines and theory cs princeton edu - Jul 12 2023

web computability implications universality and computability fundamental questions what is a general purpose computer are there limits on the power of digital computers are there limits on the power of machines we can build pioneering work at princeton in the 1930s david hilbert 1862 1943 kurt gödel 1906 1978

lecture t2 turing machines princeton university uniport edu - Mar 28 2022

web may 24 2023 later than some harmful virus inside their computer lecture t2 turing machines princeton university is within reach in our digital library an online access to it is set as public in view of that you can download it instantly

lecture t2 turing machines princeton university - Sep 14 2023

web overview attempt to understand essential nature of computation by studying properties of simple machine models goal simplest machine that is as powerful as conventional computers surprising fact 1 such machines are not much more complicated than fsa s surprising fact 2 some problems of interest cannot be solved by any computer 2

mesin turing sejarah definisi dan contohnya kompas com - May 30 2022

web jul 5 2021 sejarah mesin turing mengutip dari buku sejarah komputer 2019 karangan miftachun nur pada 1936 alan turing mempublikasikan konsep on computable numbers konsep ini berisikan tentang mesin penghitung yang kemudian disebutnya dengan istilah the turing machine baca juga jenis jenis perangkat penyimpanan di

lecture t2 turing machines princeton university - Oct 15 2023

web overview attempt to understand essential nature of computation by studying properties of simple machine models goal simplest machine that is as powerful as conventional computers surprising fact 1 such machines are not much more complicated than fsas surprising fact 2 some problems of interest cannot be solved by any computer 2

mesin turing wikipedia bahasa indonesia ensiklopedia bebas - Jun 30 2022

web dari wikipedia bahasa indonesia ensiklopedia bebas lukisan mesin turing mesin turing adalah model komputasi teoretis yang ditemukan oleh alan turing berfungsi sebagai model ideal untuk melakukan perhitungan matematis walaupun model ideal ini diperkenalkan sebelum komputer nyata dibangun model ini tetap diterima kalangan ilmu

lecture t2 turing machines princeton university - Sep 02 2022

web lecture t2 turing machines princeton university get started double click the downloaded file to install the software

lyberty com may 10th 2018 lyberty com s weekly monthly splash page yes a splash page is old fashioned but it s been a tradition here since 1999 pc faq uebersicht may 8th 2018 die pc faq enthält antworten zu vielen

lecture t2 turing machines princeton university pdf uniport edu - Oct 03 2022

web aug 9 2023 *lecture t2 turing machines princeton university 1 1* downloaded from uniport edu ng on august 9 2023 by guest lecture t2 turing machines princeton university thank you completely much for downloading lecture t2 turing machines princeton university most likely you have knowledge that people have see numerous

cs princeton edu - Feb 07 2023

web cs princeton edu

lecture t2 turing machines princeton university pdf testapi mobal - Dec 05 2022

web authors show how machine architecture links the theory of computing to real computers and to the field s history and evolution for each concept the authors present all the information readers need

lecture t2 turing machines princeton university - Mar 08 2023

web each success next to the broadcast as skillfully as perception of this lecture t2 turing machines princeton university can be taken as without difficulty as picked to act turing s revolution giovanni sommaruga 2016 01 21 this book provides an overview of the confluence of ideas in turing s era and work and examines

mesin turing ppt academia edu - Aug 01 2022

web academia edu is a platform for academics to share research papers mesin turing ppt mesin turing adalah model komputasi teoritis yang dikemukakan oleh alan turing perancangan dan implementasi finite automata pada simulasi vending machine wakhyu hady download free pdf view pdf rusli setiawan 2012020066 akhmad abdul

lecture t2 computability given a set of cards n card types can - Jun 11 2023

web nature of machines needed to solve problems relationship between problems and machines intrinsic difficulty of problems deep questions are there problems that no machine can solve are there limits on the power of machines that we can imagine pioneering work in the 1930 s princeton center of universe

turing machines ppt slideshare - Jan 06 2023

web mar 27 2012 standard turing machine the machine we described is the standard deterministic infinite tape in both directions tape is the input output file 62 design a turing machine to recognize all strings in which 010 is present as a substring 0 0 r 0 0 r 1 1 r 0 0 r q0 q1 q2 h 1 1 r 1 1 r 63

princeton cos 126 lecture t2 turing machines d2114519 - Apr 09 2023

web lecture t2 turing machines2overviewattempt to understand essential nature of computation by studying properties of simple machine models goal simplest mac princeton cos 126 lecture t2 turing machines d2114519 gradebuddy

lecture t2 turing machines princeton university pdf uniport edu - Apr 28 2022

web aug 3 2023 we give lecture t2 turing machines princeton university and numerous ebook collections from fictions to scientific research in any way in the midst of them is this lecture t2 turing machines princeton university that can be your partner the essential turing alan mathison turing 2004 09 09 lectures scientific papers top secret

lecture t2 turing machines princeton university pdf ce - Nov 04 2022

web professor putnam s john locke lectures delivered at the university of oxford in 1976 offering a detailed examination of a physicalist theory of reference against a background of the works of tarski carnap popper hempel and kant

lecture t2 computability cs princeton edu - Aug 13 2023

web turing machines are at least as powerful as a toy machine \ddot{y} encode state of memory registers pc onto turing tape \ddot{y} design tm states for each instruction \ddot{y} candobecauseallinstructions examine current state make well define changes depending on current state works for all real machines \ddot{y} can simulate at machine

lecture t2 turing machines princeton university pdf uniport edu - May 10 2023

web mar 9 2023 right site to start getting this info get the lecture t2 turing machines princeton university associate that we present here and check out the link you could purchase lead lecture t2 turing machines princeton university or get it as soon as feasible you could speedily download this lecture t2 turing machines princeton