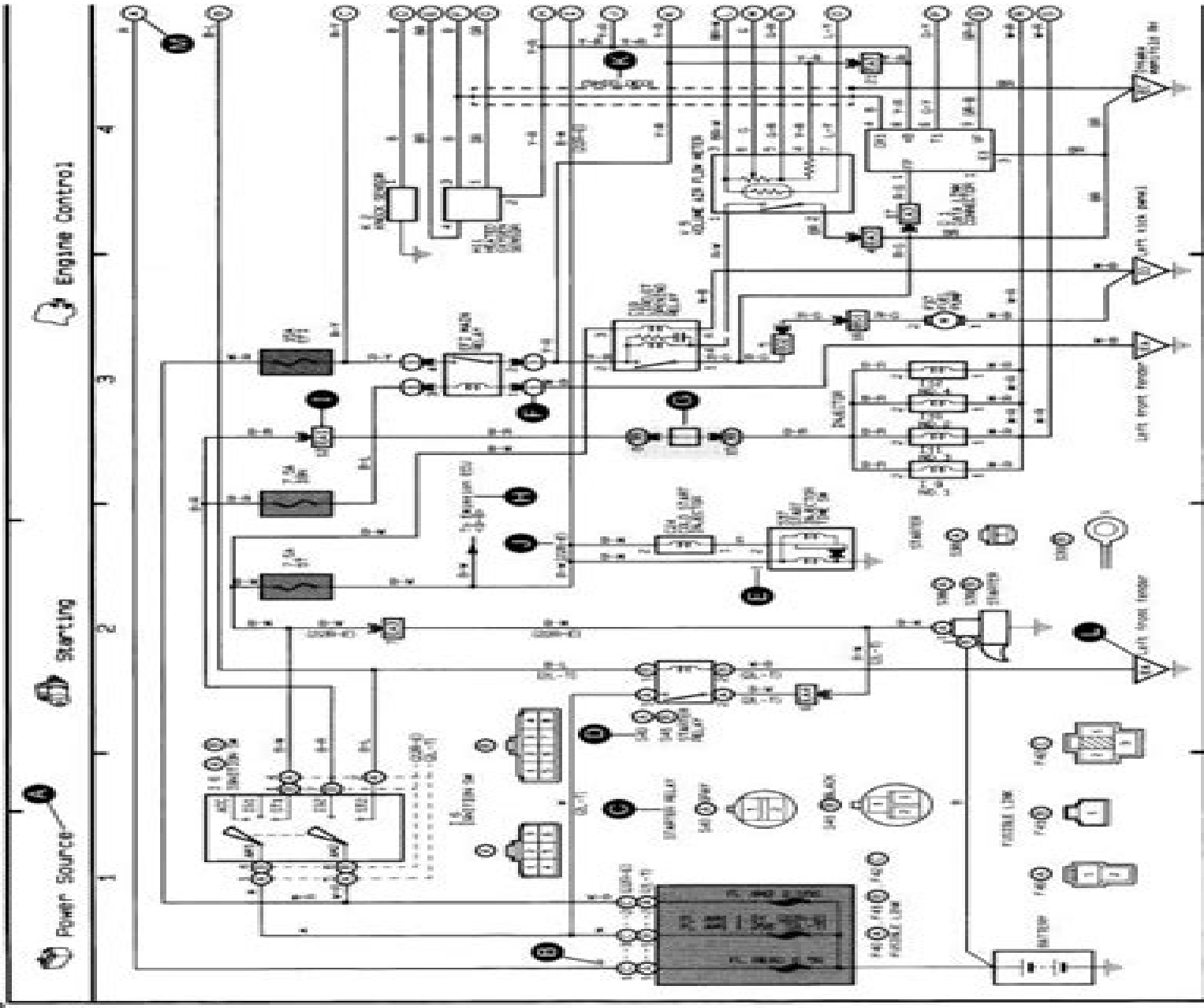


HOW TO READ THIS SECTION

The system shown here is an EXAMPLE ONLY. It is different to the actual circuit shown in the wiring diagram section.



Power Source Starting Engine Control 4

# Toyota 5r Wiring Diagram

**Roman Wölfel**



## **Toyota 5r Wiring Diagram:**

The Engaging Realm of Kindle Books: A Comprehensive Guide Revealing the Benefits of Kindle Books: A Realm of Ease and Flexibility Kindle books, with their inherent portability and simplicity of access, have liberated readers from the limitations of hardcopy books. Gone are the days of lugging cumbersome novels or carefully searching for particular titles in shops. Kindle devices, stylish and portable, effortlessly store an extensive library of books, allowing readers to indulge in their preferred reads whenever, anywhere. Whether commuting on a busy train, lounging on a sunny beach, or simply cozying up in bed, E-book books provide an exceptional level of convenience. A Reading Universe Unfolded: Exploring the Wide Array of E-book Toyota 5r Wiring Diagram Toyota 5r Wiring Diagram The Kindle Shop, a digital treasure trove of literary gems, boasts an wide collection of books spanning varied genres, catering to every readers preference and choice. From captivating fiction and mind-stimulating non-fiction to classic classics and modern bestsellers, the E-book Store offers an unparalleled variety of titles to explore. Whether looking for escape through immersive tales of fantasy and adventure, delving into the depths of past narratives, or broadening ones knowledge with insightful works of science and philosophy, the Kindle Shop provides a doorway to a bookish world brimming with endless possibilities. A Game-changing Factor in the Literary Landscape: The Persistent Impact of Kindle Books Toyota 5r Wiring Diagram The advent of Kindle books has unquestionably reshaped the bookish landscape, introducing a paradigm shift in the way books are published, disseminated, and read. Traditional publication houses have embraced the digital revolution, adapting their strategies to accommodate the growing need for e-books. This has led to a surge in the accessibility of E-book titles, ensuring that readers have access to a vast array of bookish works at their fingers. Moreover, E-book books have equalized entry to literature, breaking down geographical barriers and providing readers worldwide with equal opportunities to engage with the written word. Regardless of their place or socioeconomic background, individuals can now engross themselves in the intriguing world of books, fostering a global community of readers. Conclusion: Embracing the Kindle Experience Toyota 5r Wiring Diagram Kindle books Toyota 5r Wiring Diagram, with their inherent ease, flexibility, and vast array of titles, have certainly transformed the way we encounter literature. They offer readers the freedom to explore the limitless realm of written expression, anytime, anywhere. As we continue to navigate the ever-evolving digital landscape, E-book books stand as testament to the persistent power of storytelling, ensuring that the joy of reading remains accessible to all.

<https://movement.livewellcolorado.org/files/browse/HomePages/yamaha%20g20%20manual.pdf>

### Table of Contents Toyota 5r Wiring Diagram

1. Understanding the eBook Toyota 5r Wiring Diagram
  - The Rise of Digital Reading Toyota 5r Wiring Diagram
  - Advantages of eBooks Over Traditional Books
2. Identifying Toyota 5r Wiring Diagram
  - Exploring Different Genres
  - Considering Fiction vs. Non-Fiction
  - Determining Your Reading Goals
3. Choosing the Right eBook Platform
  - Popular eBook Platforms
  - Features to Look for in an Toyota 5r Wiring Diagram
  - User-Friendly Interface
4. Exploring eBook Recommendations from Toyota 5r Wiring Diagram
  - Personalized Recommendations
  - Toyota 5r Wiring Diagram User Reviews and Ratings
  - Toyota 5r Wiring Diagram and Bestseller Lists
5. Accessing Toyota 5r Wiring Diagram Free and Paid eBooks
  - Toyota 5r Wiring Diagram Public Domain eBooks
  - Toyota 5r Wiring Diagram eBook Subscription Services
  - Toyota 5r Wiring Diagram Budget-Friendly Options
6. Navigating Toyota 5r Wiring Diagram eBook Formats
  - ePub, PDF, MOBI, and More
  - Toyota 5r Wiring Diagram Compatibility with Devices
  - Toyota 5r Wiring Diagram Enhanced eBook Features
7. Enhancing Your Reading Experience
  - Adjustable Fonts and Text Sizes of Toyota 5r Wiring Diagram
  - Highlighting and Note-Taking Toyota 5r Wiring Diagram
  - Interactive Elements Toyota 5r Wiring Diagram
8. Staying Engaged with Toyota 5r Wiring Diagram

- Joining Online Reading Communities
  - Participating in Virtual Book Clubs
  - Following Authors and Publishers Toyota 5r Wiring Diagram
9. Balancing eBooks and Physical Books Toyota 5r Wiring Diagram
    - Benefits of a Digital Library
    - Creating a Diverse Reading Collection Toyota 5r Wiring Diagram
  10. Overcoming Reading Challenges
    - Dealing with Digital Eye Strain
    - Minimizing Distractions
    - Managing Screen Time
  11. Cultivating a Reading Routine Toyota 5r Wiring Diagram
    - Setting Reading Goals Toyota 5r Wiring Diagram
    - Carving Out Dedicated Reading Time
  12. Sourcing Reliable Information of Toyota 5r Wiring Diagram
    - Fact-Checking eBook Content of Toyota 5r Wiring Diagram
    - Distinguishing Credible Sources
  13. Promoting Lifelong Learning
    - Utilizing eBooks for Skill Development
    - Exploring Educational eBooks
  14. Embracing eBook Trends
    - Integration of Multimedia Elements
    - Interactive and Gamified eBooks

### **Toyota 5r Wiring Diagram Introduction**

In this digital age, the convenience of accessing information at our fingertips has become a necessity. Whether its research papers, eBooks, or user manuals, PDF files have become the preferred format for sharing and reading documents. However, the cost associated with purchasing PDF files can sometimes be a barrier for many individuals and organizations. Thankfully, there are numerous websites and platforms that allow users to download free PDF files legally. In this article, we will explore some of the best platforms to download free PDFs. One of the most popular platforms to download free PDF files is Project Gutenberg. This online library offers over 60,000 free eBooks that are in the public domain. From classic literature to

historical documents, Project Gutenberg provides a wide range of PDF files that can be downloaded and enjoyed on various devices. The website is user-friendly and allows users to search for specific titles or browse through different categories. Another reliable platform for downloading Toyota 5r Wiring Diagram free PDF files is Open Library. With its vast collection of over 1 million eBooks, Open Library has something for every reader. The website offers a seamless experience by providing options to borrow or download PDF files. Users simply need to create a free account to access this treasure trove of knowledge. Open Library also allows users to contribute by uploading and sharing their own PDF files, making it a collaborative platform for book enthusiasts. For those interested in academic resources, there are websites dedicated to providing free PDFs of research papers and scientific articles. One such website is Academia.edu, which allows researchers and scholars to share their work with a global audience. Users can download PDF files of research papers, theses, and dissertations covering a wide range of subjects. Academia.edu also provides a platform for discussions and networking within the academic community. When it comes to downloading Toyota 5r Wiring Diagram free PDF files of magazines, brochures, and catalogs, Issuu is a popular choice. This digital publishing platform hosts a vast collection of publications from around the world. Users can search for specific titles or explore various categories and genres. Issuu offers a seamless reading experience with its user-friendly interface and allows users to download PDF files for offline reading. Apart from dedicated platforms, search engines also play a crucial role in finding free PDF files. Google, for instance, has an advanced search feature that allows users to filter results by file type. By specifying the file type as "PDF," users can find websites that offer free PDF downloads on a specific topic. While downloading Toyota 5r Wiring Diagram free PDF files is convenient, it's important to note that copyright laws must be respected. Always ensure that the PDF files you download are legally available for free. Many authors and publishers voluntarily provide free PDF versions of their work, but it's essential to be cautious and verify the authenticity of the source before downloading Toyota 5r Wiring Diagram. In conclusion, the internet offers numerous platforms and websites that allow users to download free PDF files legally. Whether it's classic literature, research papers, or magazines, there is something for everyone. The platforms mentioned in this article, such as Project Gutenberg, Open Library, Academia.edu, and Issuu, provide access to a vast collection of PDF files. However, users should always be cautious and verify the legality of the source before downloading Toyota 5r Wiring Diagram any PDF files. With these platforms, the world of PDF downloads is just a click away.

### **FAQs About Toyota 5r Wiring Diagram Books**

How do I know which eBook platform is the best for me? Finding the best eBook platform depends on your reading preferences and device compatibility. Research different platforms, read user reviews, and explore their features before

making a choice. Are free eBooks of good quality? Yes, many reputable platforms offer high-quality free eBooks, including classics and public domain works. However, make sure to verify the source to ensure the eBook credibility. Can I read eBooks without an eReader? Absolutely! Most eBook platforms offer web-based readers or mobile apps that allow you to read eBooks on your computer, tablet, or smartphone. How do I avoid digital eye strain while reading eBooks? To prevent digital eye strain, take regular breaks, adjust the font size and background color, and ensure proper lighting while reading eBooks. What the advantage of interactive eBooks? Interactive eBooks incorporate multimedia elements, quizzes, and activities, enhancing the reader engagement and providing a more immersive learning experience. Toyota 5r Wiring Diagram is one of the best book in our library for free trial. We provide copy of Toyota 5r Wiring Diagram in digital format, so the resources that you find are reliable. There are also many Ebooks of related with Toyota 5r Wiring Diagram. Where to download Toyota 5r Wiring Diagram online for free? Are you looking for Toyota 5r Wiring Diagram PDF? This is definitely going to save you time and cash in something you should think about.

### **Find Toyota 5r Wiring Diagram :**

#### **yamaha g20 manual**

[yamaha fz6r workshop repair manual all 2009 2010 models covered](#)

[yamaha fj1200 service manual](#)

[yamaha enticer ii 410 service manual repair 1992 1995 et410tr](#)

[yamaha clp411 clp 411 complete service manual](#)

#### **yamaha lx2000 owners manual**

[yamaha majesty yp125 r service manual](#)

#### **yamaha fz6 fz6 ss fz6 ssc 2003 2007 factory service repair**

#### **yamaha dsp a59user guide**

[yamaha ef1000is inverter technical specs and wiring diagram](#)

#### **yamaha g16a golf cart**

#### **yamaha champ moto 4 service manual**

[yamaha fzs6 service manual](#)

#### **yamaha fx700 1994 factory service repair manual**

#### **yamaha f140 waverunner service manual**



### Toyota 5r Wiring Diagram :

[all nissan owners vehicle manuals guides nissan usa](#) - Feb 15 2022

web format pdf pages 2817 nissan note e12 electronic repair manual this manual contains maintenance and repair procedure for the 2014 nissan note in order to

**nissan hr12de 1 2 l engine review and specs** - Mar 31 2023

web service information pricing manual legal feedback updates news engine code brand models alternative article number partfinder piston valve guide valve

[nissan march 2002 2010 owners manual engine model](#) - Oct 26 2022

web when reading the manual guid c8deafe3 8206 4e85 b889 d50c840bcae8 this manual includes information for all options available on this model therefore you may

**engine technical data nissan cr12de enginedesk** - Jan 29 2023

web included in every manual troubleshooting section to help identify specific problems tips that give valuable short cuts to make the job easier and eliminate the need for special tools

[nissan note e12 2016 service repair manual pdf for free](#) - Nov 14 2021

**ncrlc com** - May 01 2023

web oct 28 2020 a quick overview of how to service a nissan micra k12 or note e11 these cars use the 4 cylinder cr range of engines available in 1 0 1 2 and 1 4 litres in this case the micra has a 1 2

**nissan engine ka24de ec service manual pdf for free** - Dec 28 2022

web free australian shipping for nissan march 2002 2010 owners manual engine model cr10de cr12de cr14de hr15de by jpnz staff isbn 13 9781869762506

**service manual for cr12de engine march micra wingroad** - Oct 06 2023

web nov 8 2019 i just bought a 2007 nissan ad van a lower grade version of wingroad which has the engine cr12de it is a 1 2l engine which is also used in

**nissan cr12de service manual help environment harvard edu** - Nov 26 2022

web feb 6 2023 with phase regulator the catalog weight of the cr12de engine is 120 kg the cr12de engine number is located at the junction of the block with the box fuel

[nissan micra k12 complete service manual pdf download](#) - Jun 02 2023

web ncrlc com

[nissan cr12de service manual api 2 crabplace com](#) - Jun 21 2022

web sep 20 2023 nissan cr12de service manual 1 1 downloaded from uniport edu ng on september 20 2023 by guest nissan cr12de service manual as recognized

[foreword nissan](#) - Aug 24 2022

web nissan cr12de service manual downloaded from api 2 crabplace com by guest 2 2 nissan cr12de service manual 2022 08 17 simmons jazmine nero other plays

**nissan micra k12 2002 2010 free pdf factory service manual** - Jul 03 2023

web precautions 3 description 3 precautions for supplemental restraint system srs air bag and seat belt pre tensioner 3 precautions for nats

**nissan cr12de engine specs** - Aug 04 2023

web nissan micra k12 factory service manual 2002 to 2010 factory service manual for the nissan micra chassis code k12 built between 2002 and 2010 covers specifications for

[nissan cr12de service manual uniport edu ng](#) - Apr 19 2022

web visit site to download your nissan vehicle s manuals and guides and access important details regarding the use and care of your vehicle

**nissan micra k12 note e11 cr10 cr12 cr14 quick service** - Feb 27 2023

web language english format pdf pages 1770 nissan engine ka24de ec service manual contents index for dtc 18 alphabetical index 18 dtc no index 20

[nissan note e12 electronic repair manual pdf for free](#) - Dec 16 2021

*nissan micra k12 2003 2010 service and repair manuals* - Sep 05 2023

web apr 11 2023 nissan micra petrol 2003 oct 2010 haynes service and repair manual haynes workshop manual on the nissan micra k12 series petrol models

*nissan cr12de service manual network eve gd* - May 21 2022

web nissan repair manual may 5th 2018 how to restore triumph tr5 250 and tr6 porsche 911 buyers guide ford falcon fairlane au series 1998 2002 haynes service

**nissan cr12de service manual pdf blueskywildlife** - Jul 23 2022

web nissan repair manual may 5th 2018 how to restore triumph tr5 250 and tr6 porsche 911 buyers guide ford falcon fairlane au series 1998 2002 haynes service

**nissan cr12de service manual erp2 ecomobi com** - Mar 19 2022

web how nissan s bizarre pike factory built retro masterpieces buying used 2017 2020 nissan qashqai nissan cr12de service

manual downloaded from stage gapinc com

**nissan cr12de 1 2 l myenginespecs com** - Sep 24 2022

web oct 4 2023 nissan cr12de service manual pdf is available in our book collection an online access to it is set as public so you can download it instantly our digital library

**nissan cr12de service manual stage gapinc** - Jan 17 2022

web service manuals owner s owner car owner motorcycle owner truck engine repair transmission repair wiring diagrams body repair vag ssp

100 good informative speech topics for college students - Sep 08 2023

web easy informative speech topics for college students are you searching for informative topics for college students or topics on informative speech look no further as other sites may give some outdated examples here are some informative speech ideas for college or informative speech topics for you growing your business post covid

**170 informative speech topics prompt ideas in 2023** - Nov 29 2022

web nov 7 2023 a list of informative speech topics for college might give you an idea of a diversity of topics what is an informative speech and example an informative speech is meant to provide information often complex detailed on an object living being personality phenomenon event industry current knowledge in a field etc

40 interesting informative speech topics ideas for college students - Apr 03 2023

web jul 13 2021 blog 40 interesting informative speech topics ideas for college students published by on 2021 07 09 19 40 52 you re unlikely to find a college or university where you don t have to write papers this is part of the educational process and you should deal with it however quite a few papers are not as complicated as they

informative speech topics for college in 2023 ideas for students - Apr 22 2022

web jan 25 2023 list of informative speech topics for college students social media business psychology environment health entrepreneurship economy financial management politics there are situations that could be exciting anxiety inducing and downright excruciating

**250 good informative speech topics for college 2021** - May 04 2023

web jul 1 2021 blog good informative speech topics ideas to make your performance rocking justbuyessay com posted on 08 31 2020 updated 07 01 2021 table of contents good informative speech topics ideas to make your performance rocking how to choose a good informative speech topic good informative speech topics

**333 informative speech topics to rock your presentation** - Jun 05 2023

web interesting informative speech topics the most viral ted talks combine a compelling or unique idea with exceptional nonverbal delivery these interesting topics are sure to get your audience thinking the neuroscience of attraction mind

blowing facts about volcanoes the psychology of selling things why you should turn your lawn into a garden

**130 informative speech topics for college and high school** - May 24 2022

web nov 7 2019 if you want to share your knowledge on how to survive college pick one of the interesting informative speech topics for college students below how can a first year student achieve success in college what should students know about communication with autistic classmates is entering a prestigious college a part of the

**top 99 college speech topics** - Aug 27 2022

web ninety nine emotional controversial or relatable speech ideas for college students here s my list of 99 college speech topics they cover all sorts of subjects and you should be able to find something suitable for whatever type of speech you ve been asked to deliver

**top 49 informative speech topics for college students 2023** - Sep 27 2022

web apr 17 2023 top 49 informative speech topics for college students 2023 here are more than 49 informative speech topics for college students in 2023 1 climate change the causes and impacts of climate change and ways to address and mitigate its effects 2 cybersecurity the importance of cybersecurity common threats and how to protect

**150 interesting informative speech topics for 2023 5stareessays** - Mar 02 2023

web jul 3 2023 blog speech and debate informative speech topics last updated on jul 3 2023 informative speech topics interesting ideas by experts by cordon j 12 min read reviewed by jacklyn h published on mar 22 2023 are you tired of scouring the internet for the perfect informative speech topic

**interesting informative speech topics for college students** - Oct 29 2022

web apr 26 2021 3 top 25 general informative speech topics for 2022 4 business informative speech topics for 2022 5 informative speech topics about education in 2022 6 sports informative speech topics for 2022 7 public speaking informative topics 2022 8 additional topics for 2022

**100 informative speech topics ideas for all students** - Mar 22 2022

web jun 21 2023 unique informative speech topics about music business informative speech topics health informative speech topics informative speech topics about mental health medical informative speech topics informative speech topics about science cultural informative essay topic speech environment informative speech

50 interesting informative speech topics for college - Oct 09 2023

web nov 23 2022 perfecting speech delivery list of informative speech topics topics for informative speech about music informative speech topics about animals topics for informative speech about global warming informative speech ideas about sports interesting speech topics about food and drinks

212 speech topics for college students persuasive informative - Dec 31 2022

web aug 5 2022 informative for higher education impromptu thesis statement examples list of speech topics for college students persuasive how schools should improve the quality of teaching why you should apply for international exchange programs what to do about low self esteem what you can do to cut poverty rates refurbish your

**top informative speech topics for college students essay service** - Feb 18 2022

web oct 27 2023 in health informative speech topics someone can describe the effects of new diseases for instance explanatory speeches an explanatory speech focuses on events or changes in a specific industry demonstration speeches a demonstration speech by college students covers new skills in detail step by step persuasive speeches

*300 impressive informative speech topics ideas essay writer* - Jul 26 2022

web may 26 2022 informative speech topics written by caleb s informative speech topics to engage and delight your audience 16 min read published on may 26 2022 last updated on jul 20 2023 people also read share this article speech writing is often made part of your academics to analyze your capability to deliver the message and

*130 informative speech topics for college students 2022* - Jun 24 2022

web jul 26 2018 unique informative speech topics on crime and law the concept of organized crime problems of access to justice in third world countries alternative dispute resolution in private law features of juvenile justice systems in europe freedom of speech restriction in television and radio broadcasting

**200 speech topics for college students best informative speech ideas** - Feb 01 2023

web jan 27 2023 looking for best informative speech topics for college it is the right place to find useful tips 200 informative speech ideas and advice on how to prepare a speech here you will get the best informative speech topic list

**100 speech topics for college students presentationskills me** - Jul 06 2023

web dec 19 2022 whether it s a persuasive speech about a current event an informative speech about a historical figure or a humorous speech about an interesting topic there is something for every student s tastes these speech topics give college students the opportunity to explore their interests challenge their beliefs and develop their

**250 informative speech topics for students 2023 2024** - Aug 07 2023

web nov 7 2023 1 informative speech topics for university students 2 informative speech topics for college students 3 interesting informative speech topics for teens 4 fun informative speech topics 5 informative speech topics about government 6 medical informative speech topics 7 sports informative speech

**persuading with research a writing lesson based on hey little ant** - May 17 2023

hey little ant by phillip and hannah hoose is a rhyming picture book with dialog between a kid and an ant the kid almost steps on an ant and the ant responds with reasons he should not be stepped on the story was originally a song written by the father daughter team listen to it at heylittleant.com what should the kid do

*31 top hey little ant teaching resources curated for you twinkl - Dec 12 2022*

ants i wanna iguana glasses nursery rhyme display board pack hey bear sensory movement cards and dice 5 0 2 reviews  
nursery rhyme booklet hey bear sensory high contrast cards 4 0 1 review hey bear sensory character dress ups 5 0 1 review  
hey diddle diddle powerpoint 5 0 3 reviews hey bear sensory high contrast sticker puzzles

*hey little ant activities worksheets lesson plan ideas - Jul 07 2022*

this hey little ant activities and interactive read aloud resource book companion packet includes lesson plans reading  
comprehension questions vocabulary grammar phonics writing and word study activities with both printable and digital  
student pages

**hey little ant activities teaching resources teachers pay teachers - Jan 13 2023**

here is the 2 page lesson plan and 8 pages of printable extension activities for hey little ant by phillip and hannah hoose  
suitable for grades 2 3 learning targets include insects small crawling flying animals persuasive writing character traits  
shared writing and

*hey little ant writing yellow group seesaw activity by leah - Apr 04 2022*

1 tap add 2 use the text to find evidence and fill in the reasons chart 3 use the label tool to write your opinion about whether  
or not the boy should squish the ant 4 use the label tool to write 2 reasons to support your opinion using evidence from the  
text 5 tap check when you have finished to add your work to your journal

**hey little ant little guy makes a big case grades k 5 - Aug 20 2023**

different species of ants have different food preferences too hey little ant is a story that uses rhyming dialog between a boy  
and an ant the boy tries to decide if he should squish the ant and the ant makes a compelling case for his survival

**hey little ant stories by storie - Jul 19 2023**

may 18 2020 hey little ant by phillip and hannah hoose is a great picture book to share with your students when teaching  
point of view or opinion writing i want to share several activities you can pair with this book about the book what would you  
do if the ant you were about to step on looked up and started talking would you stop and listen

*resource library seesaw - May 05 2022*

1 press the to watch the reading of the book hey little ant 2 after listening to the story press the button to respond to the  
question would you squish or save the ant 3 in the blue box respond with if you would squish or save little ant by using the  
button 4 next write down your three reasons for your choice using the or button 5

*resource library seesaw - Feb 02 2022*

student instructions instructions 1 watch the story hey little ant 2 should the boy squish the ant or keep him alive in a  
notebook write an opinion piece to support your reason remember to include a topic sentence 3 or more reasons to support

your opinion conclusion

[hey little ant literature guide learning to give](#) - Feb 14 2023

hey little ant literature guide grade level prek k 1 2 3 4 5 keywords animals empathy listening respect by phillip and hannah hoose a guide for parents teachers and group leaders to accompany the reading of this picture book the guide below provides before during and after reading discussion questions

**hey little ant writing seesaw activity by leah mather** - Jun 06 2022

1 tap add 2 listen to the story hey little ant 3 use the label tool to write your opinion about whether or not the boy should squish the ant 4 use the label tool to write 2 reasons to support your opinion using evidence from the text 5 tap check when you have finished to add your work to your journal

[hey little ant writing teaching resources tpt](#) - Nov 11 2022

hey little ant writing teaching resources tpt results for hey little ant writing 150 results sort by relevance view list hey little ant opinion writing prompt ant craft and spring bulletin board created by the mountain teacher to squish the ant or let it

**hey little ant activities and lesson plans for 2023** - Sep 21 2023

engage your students with hey little ant lesson plans activities in 3 easy steps read a summary of hey little ant check out the teaching ideas for reading comprehension strategies grammar topics and social emotional learning skills that can be taught using this children s book

[hey little ant opinion writing seesaw activity by katie davis](#) - Sep 09 2022

1 read the story hey little ant by phillip and hannah hoose to the class 2 ask the students should the boy save or squish the ant 3 as a class generate ideas to add to an anchor chart 4 review good sentence starters with the class 5 have the students complete the seesaw activity

*freebie hey little ant opinion persuasive writing tpt* - Mar 15 2023

this is a great quick activity to do as a mini lesson on opinion or persuasive writing after reading the book hey little ant by phillip and hannah hoose students will complete a writing graphic organizer and then write hope you enjoy

**a teachers guide to hey little ant** - Jun 18 2023

written by phillip hoose with illustration by debbie tilley background and summary of story hey little ant is a song based children s picture book used throughout the world to teach young children alternatives to violent and bullying behavior and to

[hey little ant lesson plan plato philosophy learning and](#) - Aug 08 2022

lesson 40 minutes 1 minute introduce the book today we are reading hey little ant it s about a boy and an ant and we will look at the situation from their two different perspectives i want you to pay attention to the reasons that they give for their

perspective after we read the book we will have a discussion about what is the

**results for hey little ant worksheets tpt** - Oct 10 2022

9 pages of reading comprehension worksheets to accompany the book hey little ant by phillip and hannah hoose students will review using quotations story event recall main idea editing skills sequencing and persuasive letter writing subjects balanced literacy reading writing grades 2 nd 5 th types

*hey little ant modelled writing teach starter* - Apr 16 2023

create and edit short imaginative informative and persuasive written and or multimodal texts for familiar audiences using text structure appropriate to purpose simple and compound sentences noun groups and verb groups topic specific vocabulary simple punctuation and common 2

**hey little ant opinion writing prompt and activity classful** - Mar 03 2022

this opinion writing craft is a fun way to have students come up with reasons and supporting details about whether or not you should squish ants this is common core aligned and pairs great with the book hey little ant by phillip and hannah hoose however owning this book is by no means necessary for using this resource